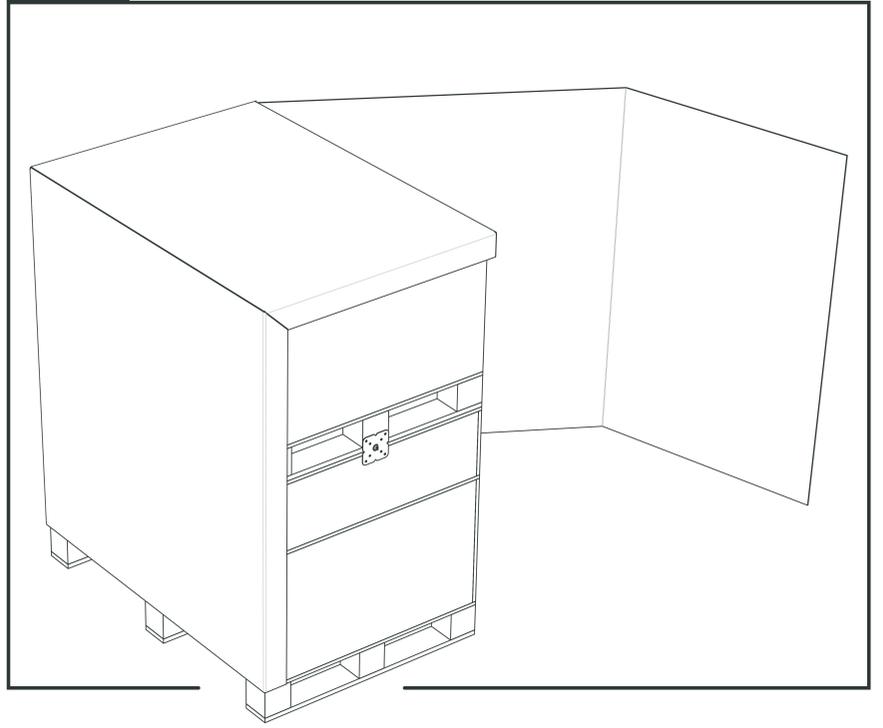


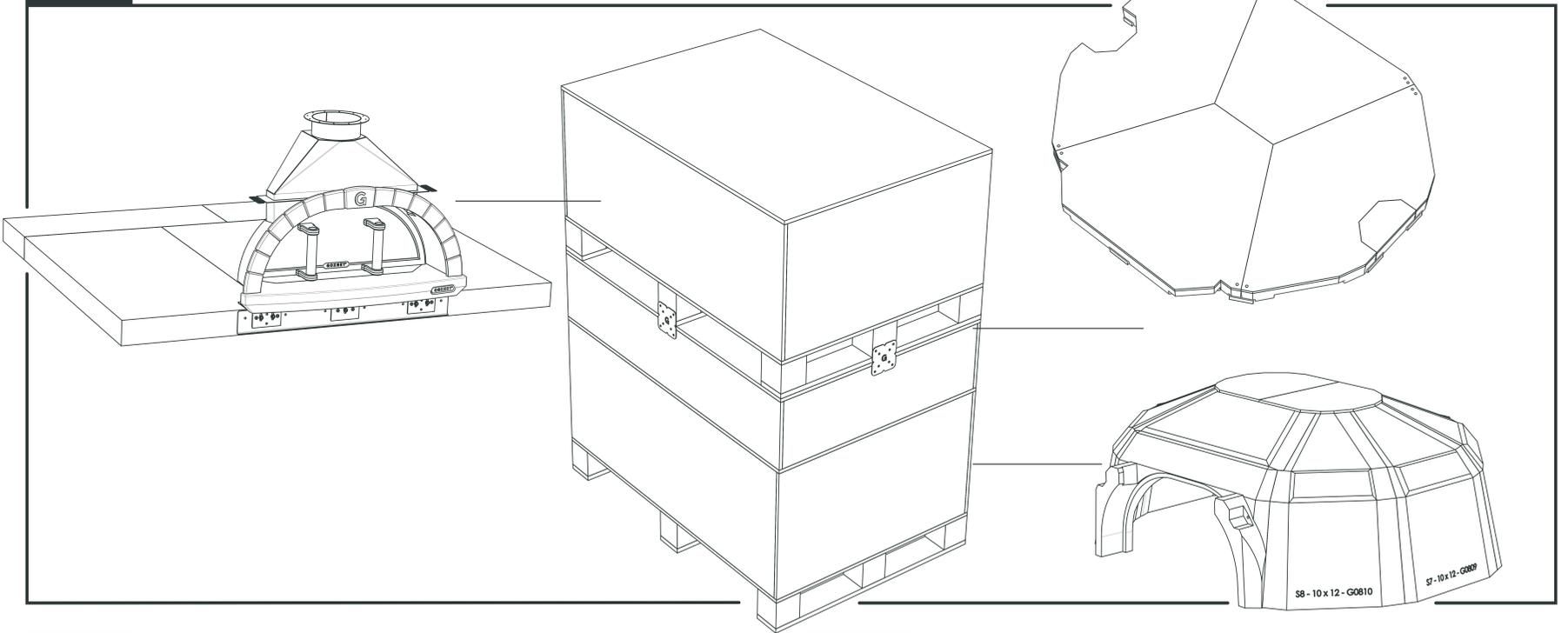
# STONE SERIES

CORE 100 X 125

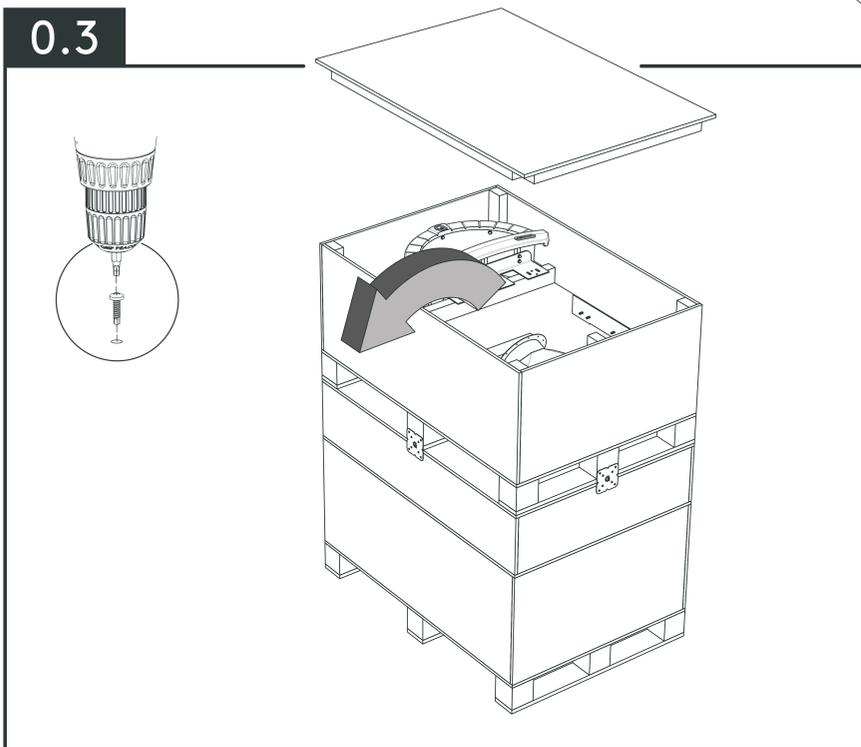
0.1



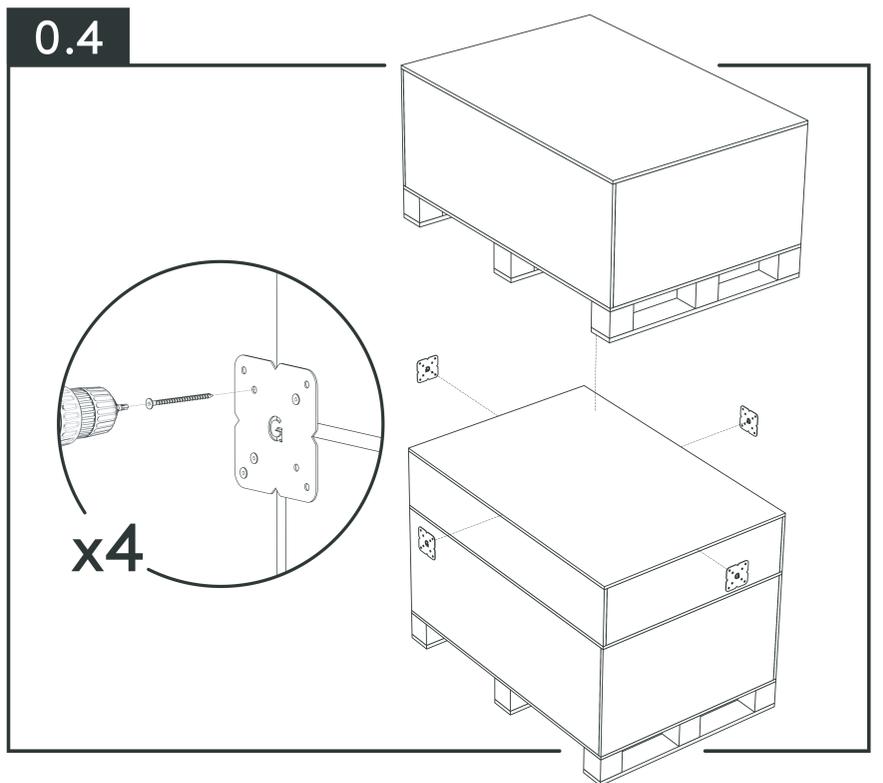
0.2



0.3



0.4



0.5

