



**NAPOLI 1250**  
WOOD FIRED OVEN



**NAPOLI 1250**  
GAS FIRED OVEN\*  
\*GAS FRONT FASCIA IS AN OPTIONAL EXTRA.



**GOZNEY°**

Gozney Ovens Ltd  
Company Registration No.07200046  
VAT Registration No. 992772075

w gozneyovens.com  
e enquiries@gozneyovens.com  
t +44 (0)1425 204 996

Unit 18 & 19, Radar Way, The Runway,  
Christchurch,  
Dorset. BH234FL.



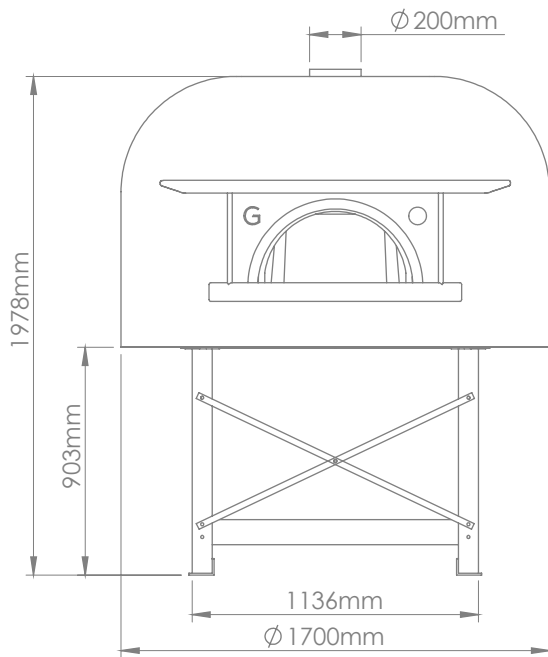
# NAPOLI 1250

## GAS FIRED OVEN\*

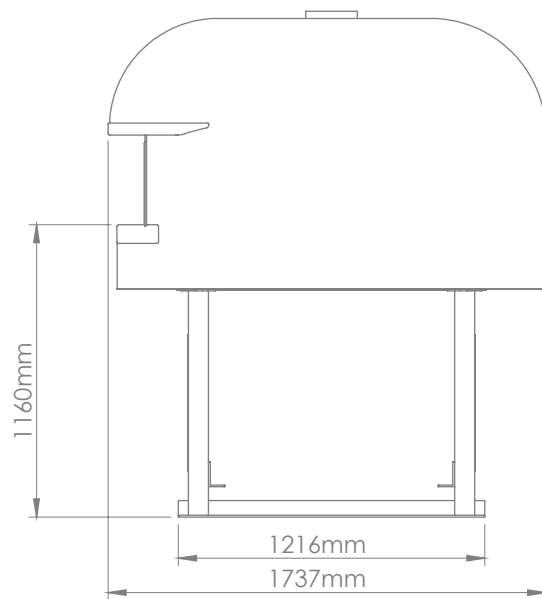
\*GAS FRONT FASCIA IS AN OPTIONAL EXTRA.

### FLOOR CONTACT / CLEARANCES

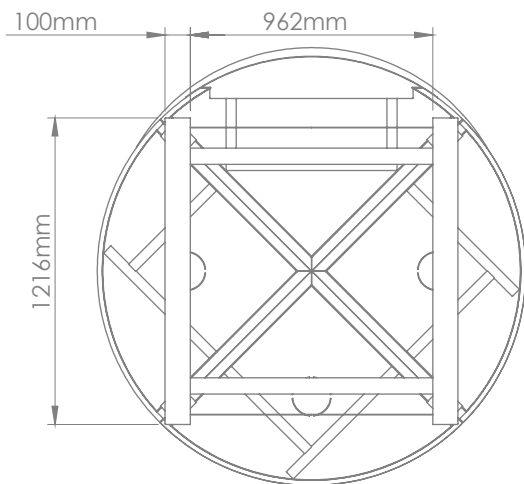
Footprint PSI Loading	8/PSI
Floor contact area (mm <sup>2</sup> )	242,000
Oven Weight (kg)	1400
Combustable Clearance (above)	300mm
Combustable Clearance (sides)	50mm



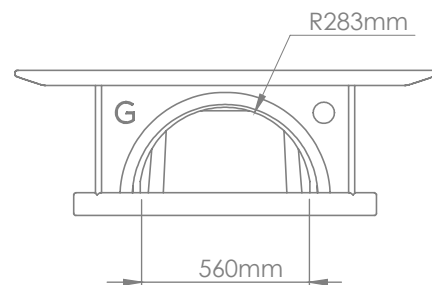
Front View



Side View



Bottom View



Mouth View