



CLASSIC 1250
WOOD FIRED OVEN



CLASSIC 1250
GAS FIRED OVEN*

*GAS FRONT FASCIA IS AN OPTIONAL EXTRA.



GOZNEY°

Gozney Ovens Ltd
Company Registration No.07200046
VAT Registration No. 992772075

w gozneyovens.com
e enquiries@gozneyovens.com
t +44 (0)1425 204 996

Unit 18 & 19, Radar Way, The Runway,
Christchurch,
Dorset. BH234FL.

G°

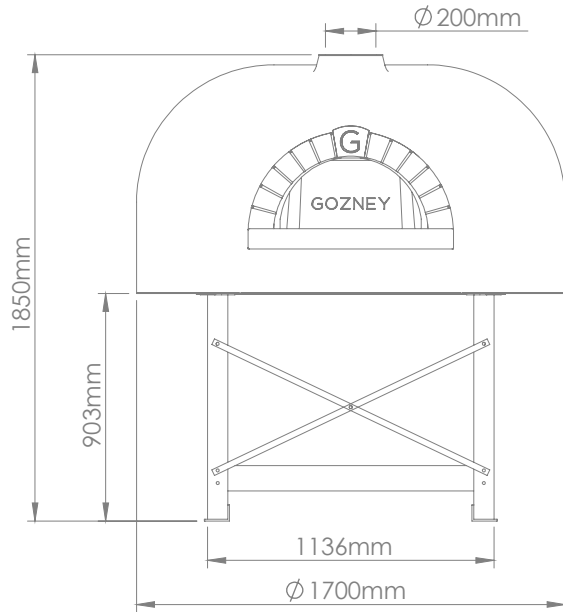
CLASSIC 1250

GAS FIRED OVEN*

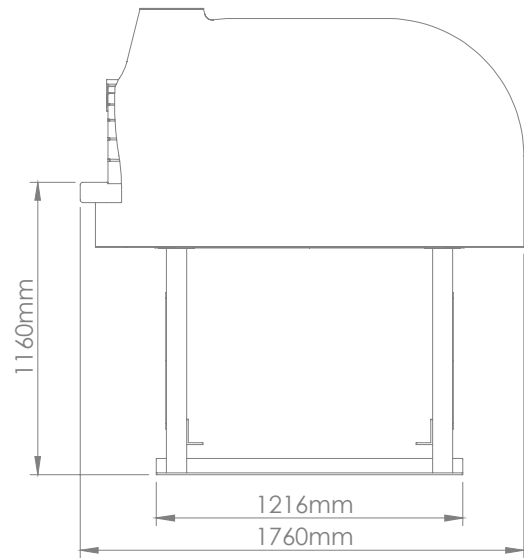
*GAS FRONT FASCIA IS AN OPTIONAL EXTRA.

FLOOR CONTACT / CLEARANCES

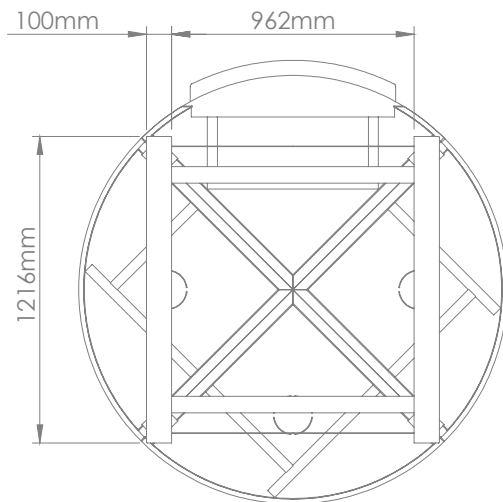
Footprint PSI Loading	8/PSI
Floor contact area (mm ²)	242,000
Oven Weight (kg)	1300
Combustable Clearance (above)	300mm
Combustable Clearance (sides)	50mm



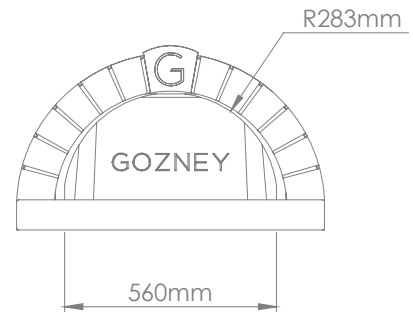
Front View



Side View



Bottom View



Mouth View

GOZNEY°

Gozney Ovens Ltd
Company Registration No.07200046
VAT Registration No. 992772075

w gozneyovens.com
e enquiries@gozneyovens.com
t +44 (0)1425 204 996

Unit 18 & 19, Radar Way, The Runway,
Christchurch,
Dorset. BH234FL.

