

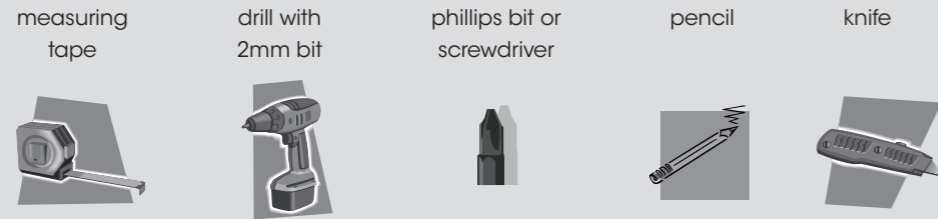
How to install your
Dual Blinds Cordless
(Roller Blinds with Raceway)

#65101-40168-H

VENETA

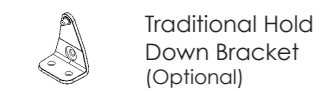
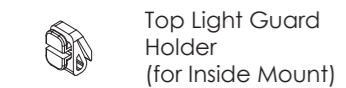
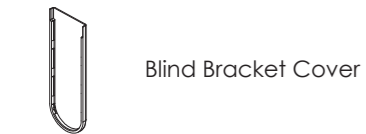
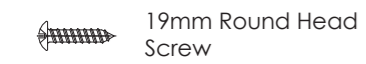
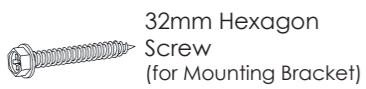
Difficulty: ★☆☆☆☆

Required Tools



Included Hardware

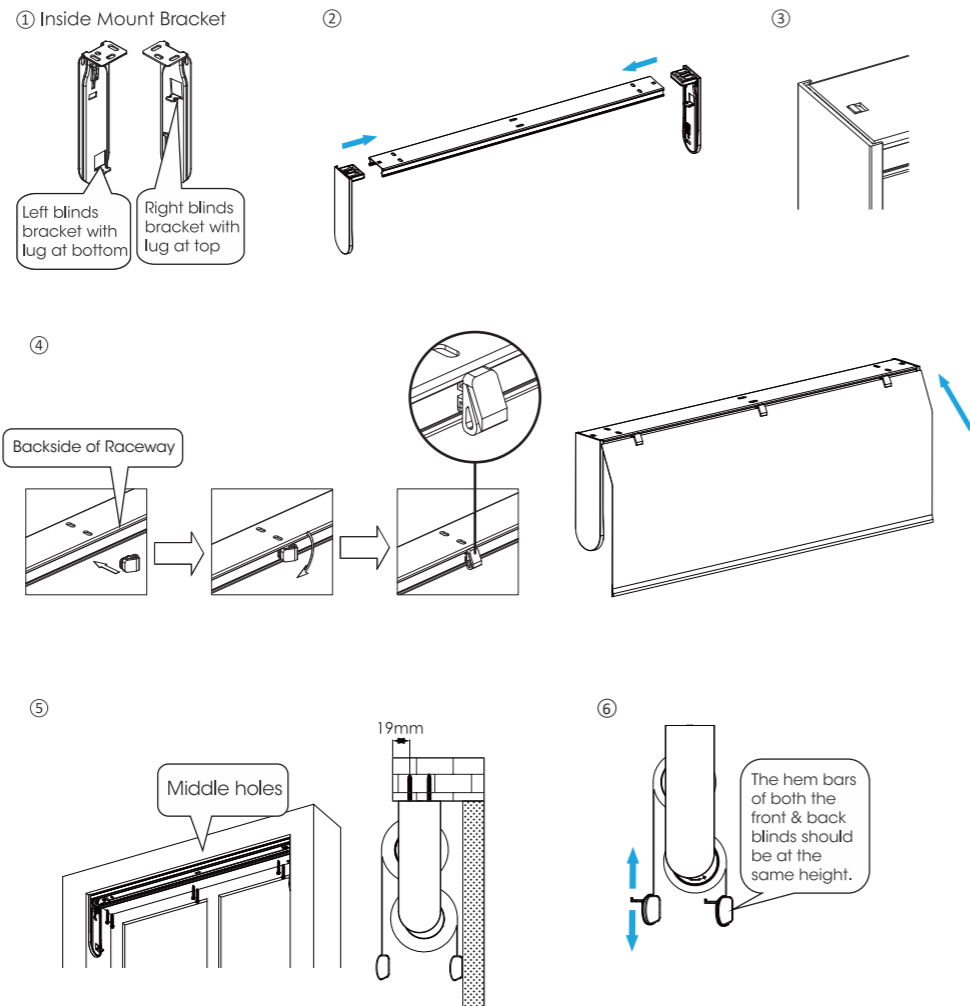
The hardware can be found in the small hardware box included with your blind.



Installing inside the window frame

1 Blind Bracket Installation

- See instructions below to locate the correct brackets first. Left blinds bracket with lug at bottom. Right blinds bracket with lug at top.
- Attach the Blind brackets and extensions into the two ends of the raceway.
- Make sure the extension bolt locks into the raceway's dedicated hole.
- Insert the top light guard holder horizontally into the groove at the backside of raceway and turn 90 degrees to lock in the raceway groove. Then insert the top light guard into the groove of the top light guard holder.
- First fit the blind bracket cover over the blind bracket. Install the raceway into the window opening. We recommend securing the screws into the middle holes of the raceway first. This would allow you to adjust the raceway left or right if required. Once the correct position has been located, secure the screws for the holes. Take care that the distance between the 1st screw and the window edge is at least 19mm.
- The hem bars of both the front & back blinds should be at the same height.



How to install your
Dual Blinds Cordless
(Roller Blinds with Raceway)

#65101-40168-H

VENETA

Difficulty: ★☆☆☆☆

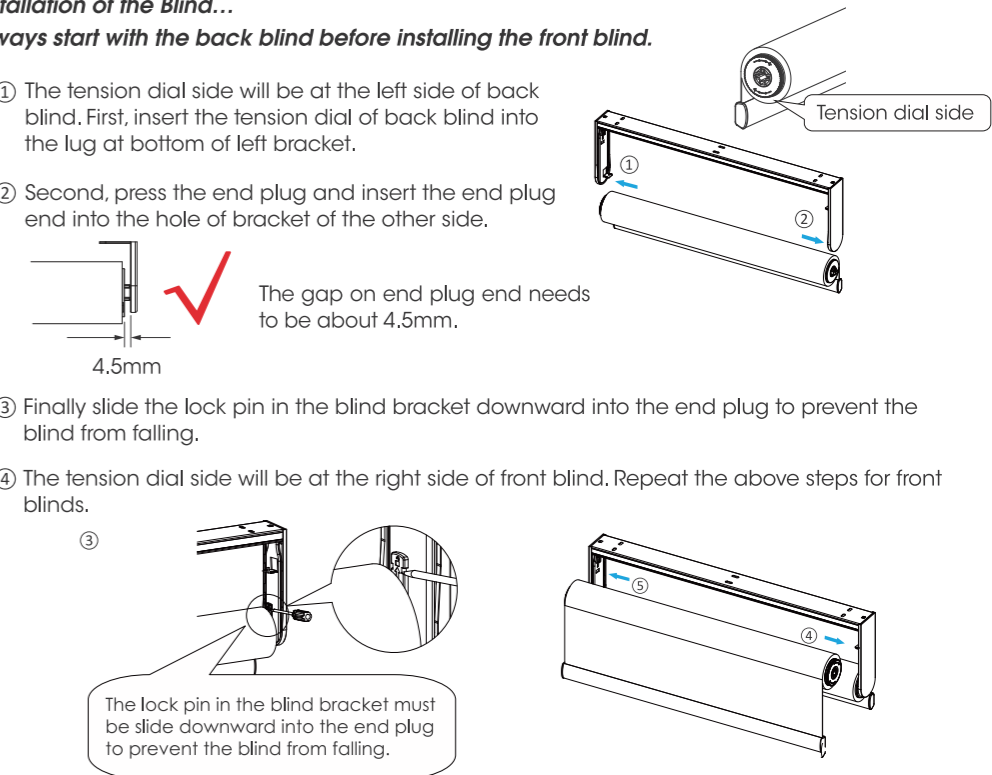
Installation continued...

2 Blind Installation and Removal

Installation of the Blind...

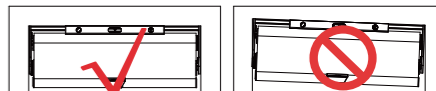
Always start with the back blind before installing the front blind.

- The tension dial side will be at the left side of back blind. First, insert the tension dial of back blind into the lug at bottom of left bracket.
- Second, press the end plug and insert the end plug end into the hole of bracket of the other side.
- Finally slide the lock pin in the blind bracket downward into the end plug to prevent the blind from falling.
- The tension dial side will be at the right side of front blind. Repeat the above steps for front blinds.



Blind Installation Tips...

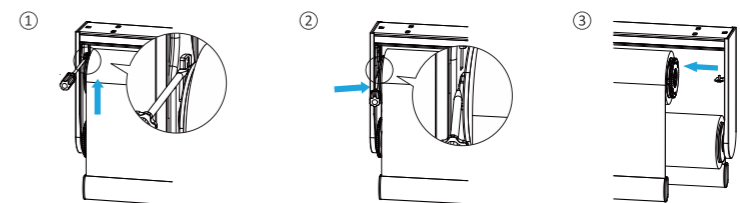
After blind is installed into blind brackets, use a Level to check if the fabrics roll is horizontal; if not, please adjust the position of blind brackets to keep the fabrics roll level.



Removal of the Blind...

Always remove the front blind first.

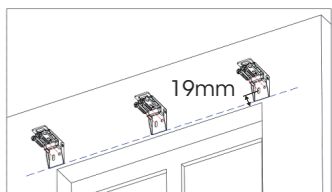
- Use a tool to push the lock pin on end plug bracket upward.
- Use tool to draw back the end plug from bracket.
- Finally remove blind from mounting bracket.



Installing outside the window frame

1 Blind Bracket Installation

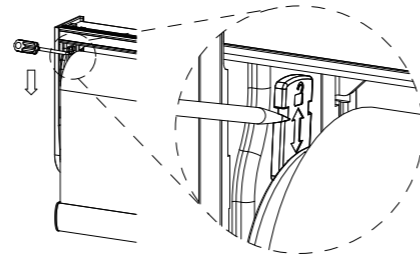
- Measure 75mm in from top left and top right of where the blind will sit, and mark where the screws will go.
- When installing the mounting bracket, the distance from the bracket's mounting hole to the edge of the window frame should be at least 19mm.
- Make sure all brackets line up with each other horizontally. Each bracket will require two 32mm hexagon screws for the installation.
- If more brackets are supplied, space them evenly between the first two brackets.



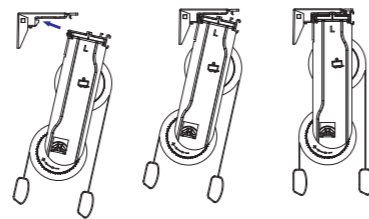
Installation continued...

2 Blind Installation and Removal

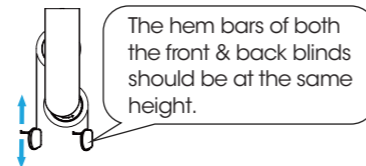
Before installing the shade into the mounting brackets, please locate the lock pin in the shade bracket on the end plug side. Slide the pin downward into the end plug to prevent the shade from falling.



Insert the back edge of the raceway into the back plastic part of the bracket, and then turn the raceway upwards so that the front rib of the raceway snaps into the bracket.

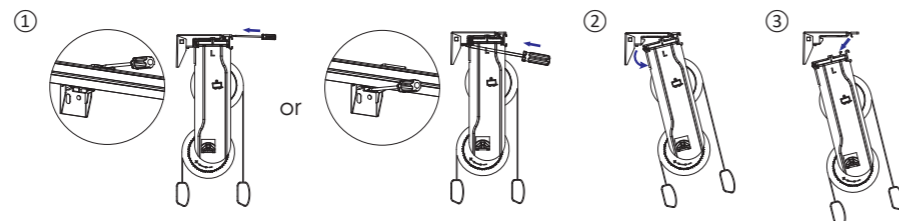


- The hem bars of both the front & back blinds should be at the same height.



Removal of the Blind...

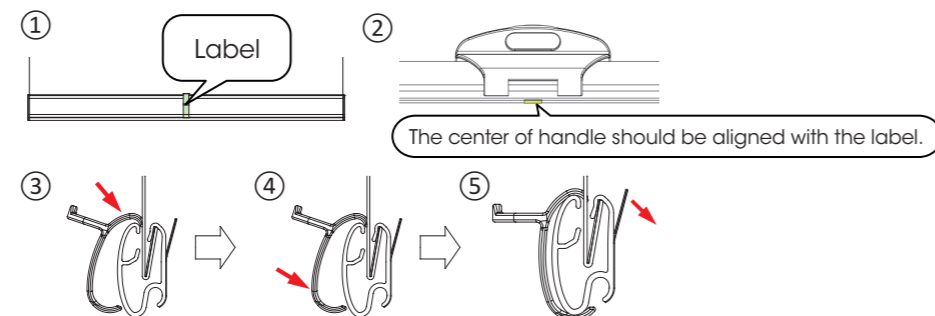
- 1 Use a tool to push back the front or back plastic part of the brackets.
- 2 Turn the back side of the raceway downward so that it detaches from the bracket.
- 3 Finally remove the raceway by pulling downward from the brackets.



3 Handle Installation and Removal

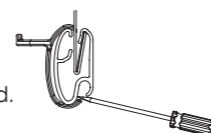
Attach Handle to Hem Bar...

- Step 1:** Turn over hem bar and you can see a label attached at the center of the hem bar.
Step 2: Align the center of the bottom of the handle with the label.
Step 3: Hook the handle to the hem bar from top to bottom.
Step 4: Press the handle from top to bottom to make the top of the handle clip into the hem bar.
Step 5: Tear off the label from hem bar.



Remove handle from hem bar...

Use straight screwdriver to pry the bottom of handle from hem bar and then the handle can be removed.



Feedback?

We would love to know how you went with your installation...

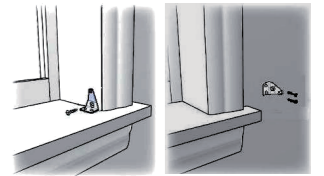
Please write a review on our website at...

www.venetablinds.com.au

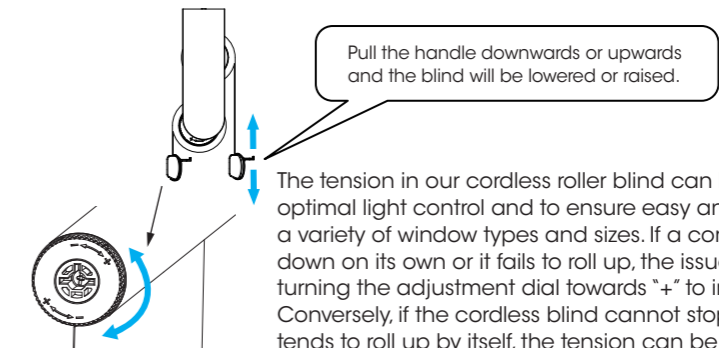
Installation continued...

4 Hold Down Brackets Installation (optional)

- Use 19mm round head screw to secure each bracket.

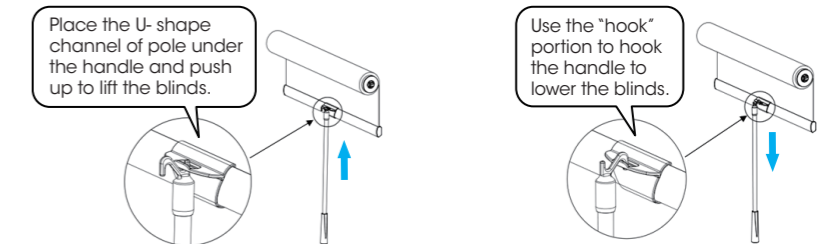


5 Cordless Operation



The tension in our cordless roller blind can be adjusted to provide optimal light control and to ensure easy and dependable operation on a variety of window types and sizes. If a cordless blind begins to slide down on its own or it fails to roll up, the issue can be easily fixed by turning the adjustment dial towards "+" to increase the tension. Conversely, if the cordless blind cannot stop at the desired height and tends to roll up by itself, the tension can be decreased by turning the adjustment dial towards the "-".

* The blind must be installed on the brackets when adjusting.



Great Job... Enjoy your new Veneta Blinds!

Maintaining your Blind

1 Dusting

- Dust can be removed using a feather duster or vacuum with brush attachment on low suction.

2 Spot Cleaning

- Use a warm damp cloth or a mild detergent for tougher stains.
- Dab the affected area, but do not rub the fabric. Finish with just a warm damp cloth.
- Allow the fabric to dry in the lowered position.

Need HELP?
Call our
Customer Service team
for assistance
1800 836 382