

How to install your  
**Corded PVC Venetian Blind**

#65101-21735-G



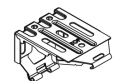







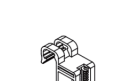
Difficulty: ★☆☆☆☆

**Required Tools**



**Included Hardware**

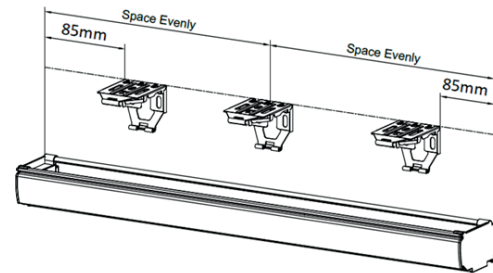
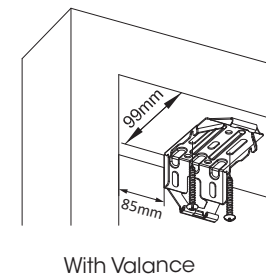
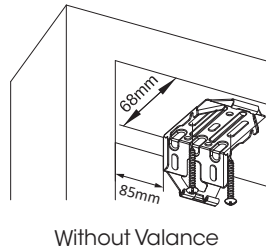
The hardware can be found in the end of every box.

-  Installation Bracket
-  Hold Down Bracket
-  Child Safety Cleat
-  Medium & Long Screws for Wood
-  Wall Plugs for Brick or Cement using a 6mm Bit (if requested)
-  Valance Connector (Optional)
-  Clip Plug (Optional)
-  Clip Receptor (Optional)
-  Valance Return Joinery (Optional)

**1 Installation Brackets**

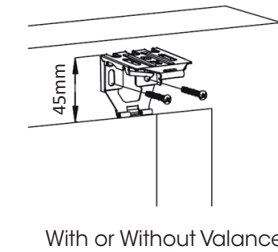
**Installing inside the window frame...**

- At the top of the window frame measure 85mm in from each side and measure 68mm (99mm for blind with valance) back from the front of the window opening; this is the edge of the back of the bracket.
- Place bracket in position and mark where the screws will go.
- We recommend drilling pilot holes for the screws using a 2mm bit.
- Use the double sided tape from the hardware box and stick the brackets at the marked location for easy installation if needed, then fix bracket into position using 2 long screws.
- If more brackets are supplied, space them evenly between the first two brackets.



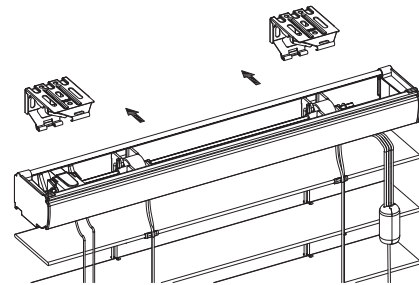
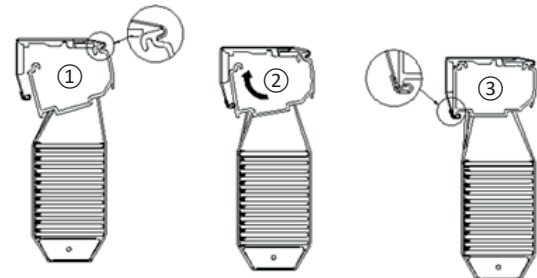
**Installing outside the window frame...**

- Measure 85mm in from the top left and top right of where the blind will be positioned and 45mm up from the top of the window opening; this is the edge of the top of the bracket.
- Place the brackets in position and mark where the screws will go.
- We recommend using a spirit level to align brackets if not installing on the architrave.
- We recommend drilling pilot holes for the screws using a 2mm bit.
- Use the double sided tape from the hardware box and stick the brackets at the marked location for easy installation if needed, then fix bracket into position using 2 long screws.
- If more brackets are supplied, space them evenly between the first two brackets.



**2 Install Blind**

- Position the top front of the blind under the top front lip of the brackets.
- Push the blind up at the back and click into position as per diagram.
- Ensure the blind has clicked firmly into place.



How to install your  
**Corded PVC Venetian Blind**

#65101-21735-G

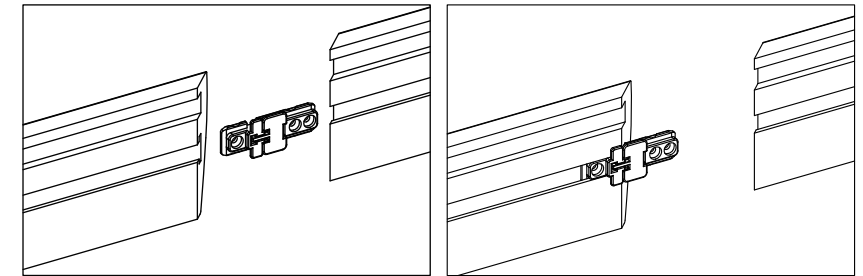


Need HELP?  
 Customer Service  
**1800 836 382**

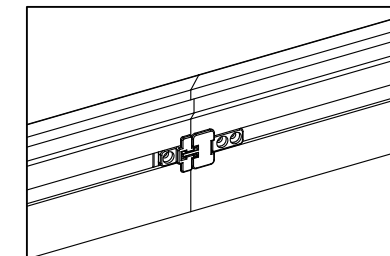
"the best compliment  
 you can give  
 is a referral"

**3 Install Valance Connector (Optional)**

Valance Connector is only supplied for connecting spliced valances. Put the valance connector into the slots on the back of the valance as below drawing:

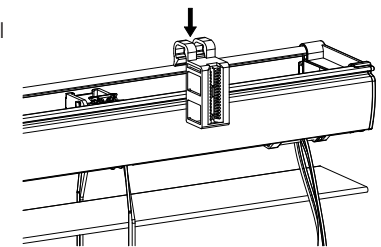


The valance is connected as below drawing:

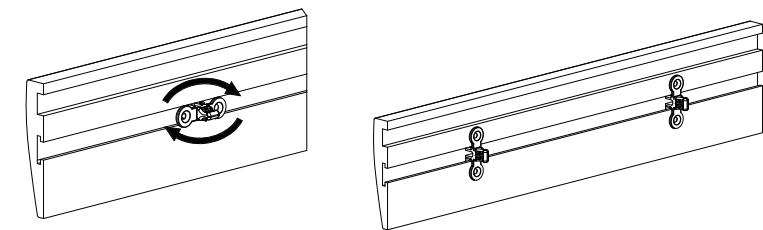


**4 Attach the Valance (Optional)**

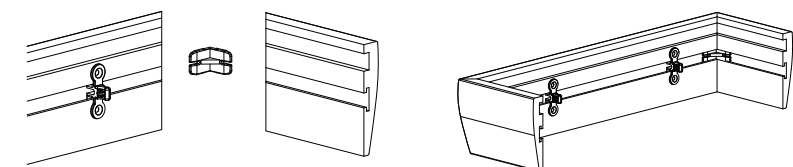
Hook the adjustable valance clip receptors onto the headrail and space them evenly. Make sure receptors are not in an obstructive position with the drum support inside the headrail.



Attach the adjustable valance clip plug into the channel on the backside of the valance. Refer to the receptor position on the headrail to decide where to position on the valance.

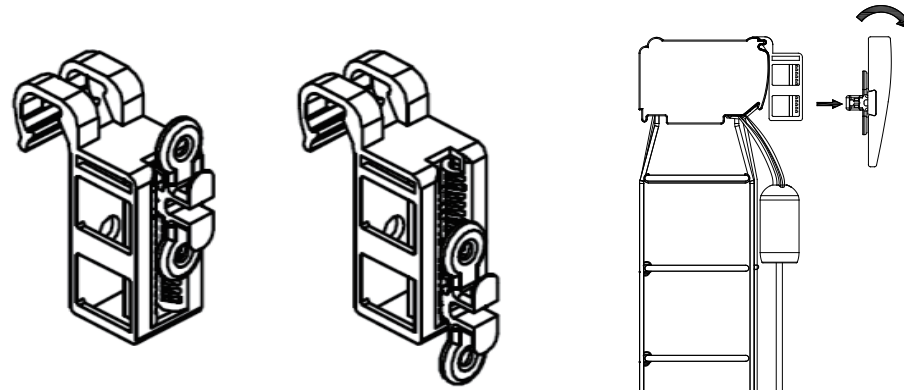
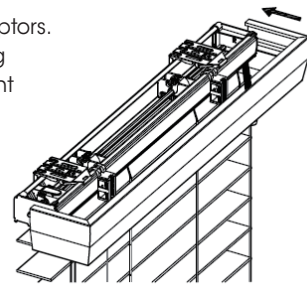


Attach the valance return joinery if needed.  
 (Outside Mount)



Attach the valance to the headrail by inserting the plugs into the receptors. Refer to the right drawing. Slightly move the receptors left or right along the headrail so the plugs are in alignment with receptors to ensure right insertion of plug.

If you wish to adjust the valance position vertically, pull out the valance and reinsert into the desired position. When removing the valance from the headrail, hold the valance as shown on the picture and pull it out (do not flip upward).



## 5 Hold Down Brackets

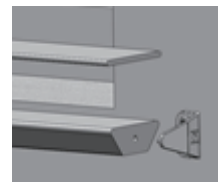
### Installing inside the window frame...

- Position hold down bracket vertically inside window frame where the bottom rail hangs naturally, mark where the 2 screws will go.
- We recommend drilling pilot holes for the screws using a 2mm bit.
- Fix bracket into position using 2 medium screws.
- Insert bracket knob into bottom rail.
- Repeat for bracket at other end of bottom rail.



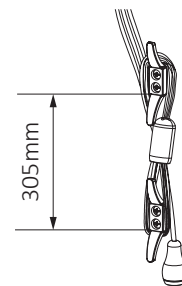
### Installing outside the window frame...

- Position hold down bracket horizontally outside window frame where the bottom rail hangs naturally, mark where the 2 screws will go.
- We recommend drilling pilot holes for the screws using a 2mm bit.
- Fix bracket into position using 2 medium screws.
- Insert bracket knob into the bottom rail.
- Repeat for bracket at other end of the bottom rail.



## 6 Child Safety Cleat

- Attach the Child Safety Cleats to the wall at least 1.6metres off the ground using 2 medium screws for each cleat. Ensure the cleat is fixed firmly.
- Tie all the loose lift cord around the Child Safety Cleat at all times.



## Operating your Blind

Great Job... Enjoy your new Veneta Blinds!

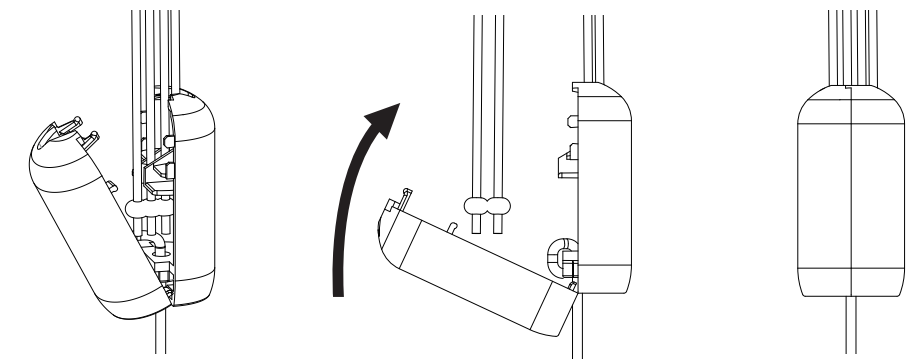
- Tilt the slats by using the twin cords.
- Raise or lower your blind with the lift cord.
- Pull the cord straight down and toward the centre of the blind to unlock, then move to the desired position.
- Note: When raising your blind, we recommend tilting the slats to about 45 degrees downwards; and support bottom rail with your hand while pulling the cord.

## ⚠ WARNING ALL WINDOW COVERINGS WITH CORD OR CHAIN

To avoid creating a possible strangulation hazard for children, the corded or chained internal window covering must be installed in such a way that a loose cord or chain cannot form a loop 220 mm or longer at a height of less than 1600 mm above floor level.

## Maintaining your Blind

- Dust can be removed using a feather duster or vacuum with brush attachment on low suction.
- Clean your PVC Venetians using a warm damp cloth. Do not use solvents or chemicals.
- If the **Safety Tassel** happens to break apart, simply gather the cords without twisting and place into the slot as per diagrams to below. Close the cord release door and pull the cords to make sure the Tassel is closed tightly.



- A cord/chain guide may be installed lower than 1600mm above floor level if the cord/chain is sufficiently secured or tensioned to prevent a loop 220 mm or longer from being formed.
- If a cord/chain guide is installed lower than 1600 mm above floor level, it must be designed to prevent a child from being able to remove the cord/chain.
- If a cleat is used to secure the cord, it must be at least 1600 mm above floor level because a child is capable of unwinding a cord from a cleat.

<https://venetablinds.com.au/pages/child-safety>