

### Required Tools

measuring tape	drill with 2mm bit	phillips bit or screwdriver	pencil	knife

### Included Hardware

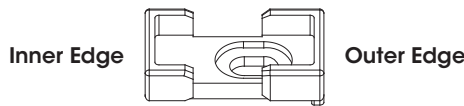
The hardware can be found in the end of every box.

	Shoe Base (For Headrail and Bottom Rail)
	Shoe Slider (Attached to blind)
	Installation L Bracket (Outside Install)
	L Bracket Cover (Outside Install)
	Handle
	Short Bolt
	Long Screws for Wood
	Wall Plugs for Brick or Cement using a 6mm bit (if requested)
	Extension Pole (if requested)

## 1 Installation Brackets

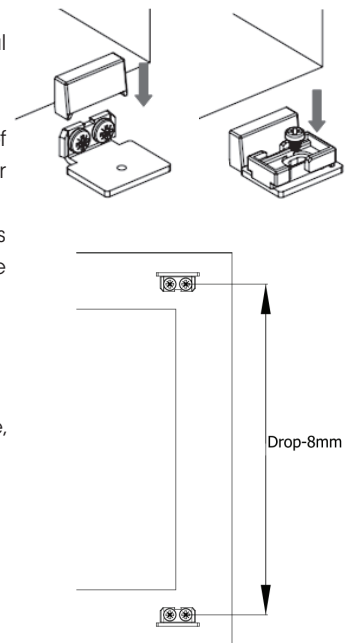
### Installing inside the window frame...

- At top and bottom of window frame measure at least 12mm in from each end and 14mm back from front of window frame and mark where the screws will go.
- We recommend drilling pilot holes for the screws using a 2mm bit.
- Fix the Shoe Bases into position using 1 long screw for each Shoe ensuring the outer edge is to the outside of the window.



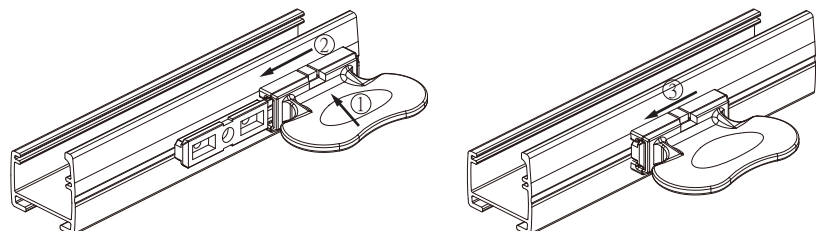
### Installing outside the window frame...

- We recommend using a spirit level for vertical and horizontal alignment.
- Place the blind in position and mark the top corners of the blind.
- Measure 4mm down and 5mm in from the top left and top right of where the blind will sit, and mark the location of the L bracket outer screws (ensure screws are at least 16mm from window opening).
- The measurement from this screw to the screw on the bottom brackets is the 'order height' minus 8mm (order height can be found on the outside of your box). And mark with a pencil.
- Place L brackets in position and mark where the other screws will go.
- We recommend drilling pilot holes for the screws using a 2mm bit.
- Fix the L brackets into position using 2 long screws for each bracket.
- Fix the Shoe Bases onto the L Brackets using 1 short bolt for each shoe, ensuring the outer edge is to the outside of the window.



## 2 Attach Handle

- Attach the handle to the handle support pre-attached on the rail then slide against the handle support to the left until the handle can't move anymore.

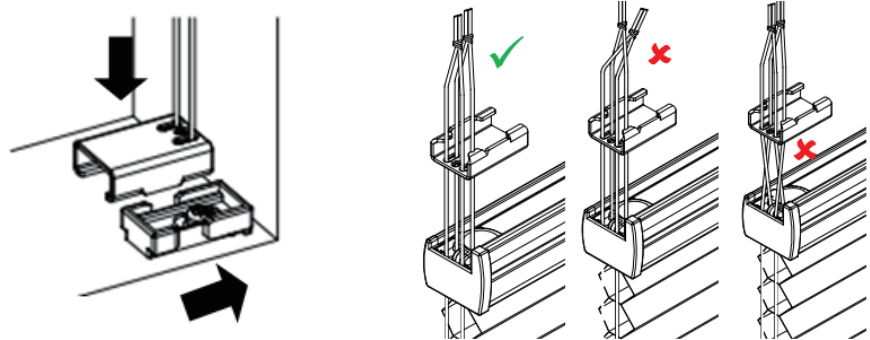


# Smartfit Day & Night Honeycomb Blind (25mm Cell)

Installation continued...

## 3 Install Blind

- When installing the Shoe Slider, it is suggested to secure the bottom shoe slider first, and then unfasten the top cord to secure the top shoe slider. Please do NOT untie the top cord until the bottom shoe slider is secured.
- Please note all blind cords are interconnected.
- Ensure the cords are not crossed or tangled.
- Place Shoe Sliders into centre of Shoe Bases and slide towards the outer edge of Shoe as per diagram below.



Great Job... Enjoy your new Veneta Blinds!

Operating your Blind

- Lower and raise the blind using the handles on the top, middle and bottom rails.
- Note the blind will close firmly at the top utilising the inbuilt magnets.

Maintaining your Blind

## 1 Dusting

- Dust can be removed using a feather duster or vacuum with brush attachment on low suction.

Feedback?

We would love to know how you went with your installation...

Please write a review on our website at...

[www.venetablinds.com.au](http://www.venetablinds.com.au)

## 2 Spot Cleaning

- Use a warm damp cloth or a mild detergent for tougher stains.
- Dab the affected area, but do not rub the fabric. Finish with just a warm damp cloth.
- Allow the fabric to dry in the lowered position.

## 3 Ultrasonic

- If ultrasonically cleaning the blind please specify that a mild solution must be used.
- Note the rails should never be immersed in liquid.

Need HELP?

Call our Customer Service team for assistance

**1800 836 382**