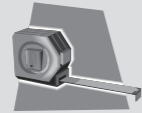


Required Tools

measuring tape



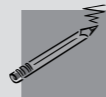
drill with 2mm bit



phillips bit or screwdriver



pencil



knife



Included Hardware

The hardware can be found in the end of every box.



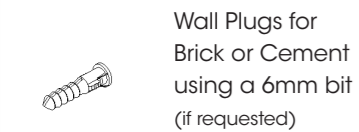
Installation Bracket



Bottom Bracket



Medium & Long Screws for Wood



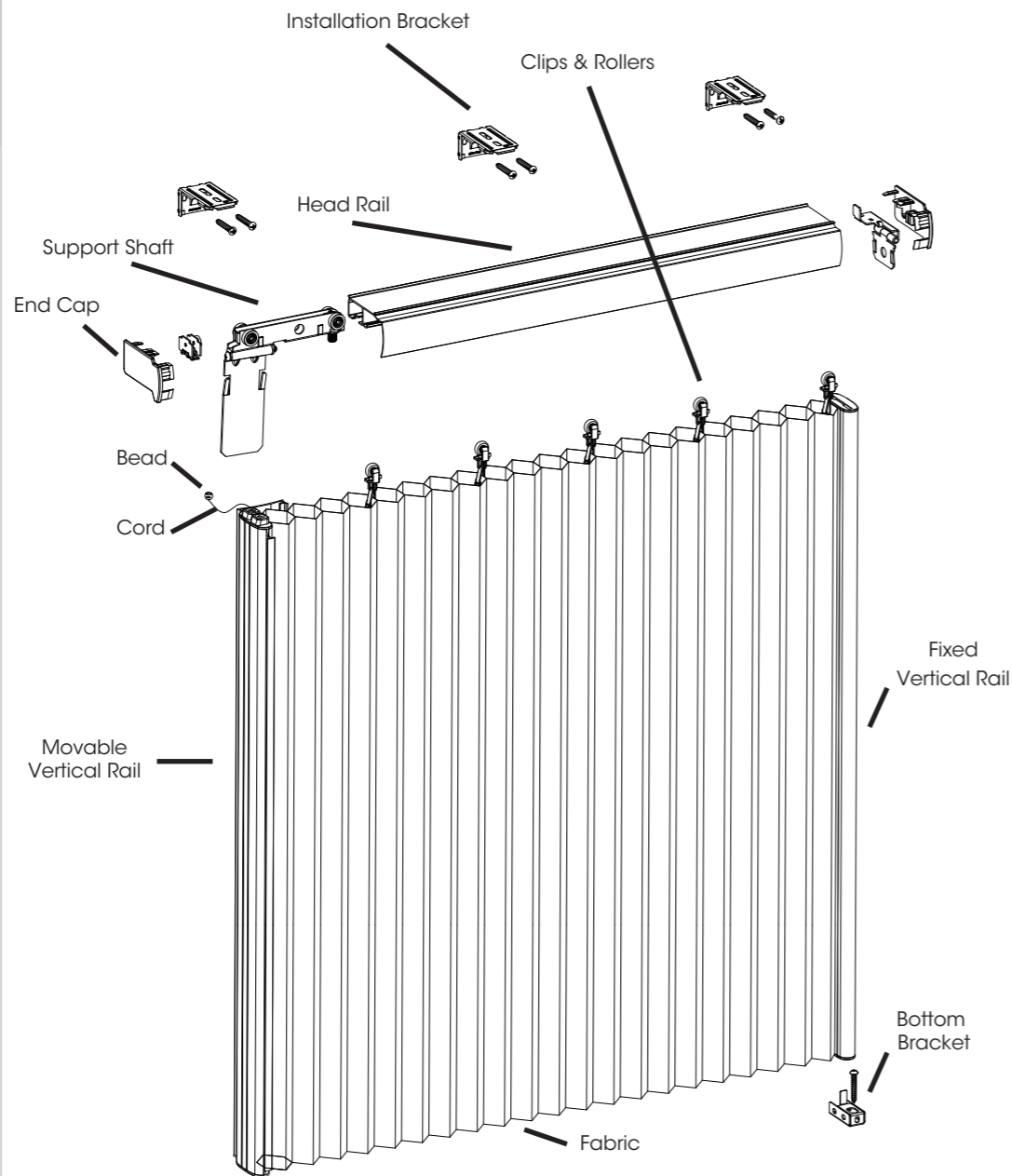
Wall Plugs for Brick or Cement using a 6mm bit (if requested)



Clips & Rollers



Bolt



Need HELP?

Call our Customer Service team for assistance

1800 836 382

Feedback?

We would love to know how you went with your installation...

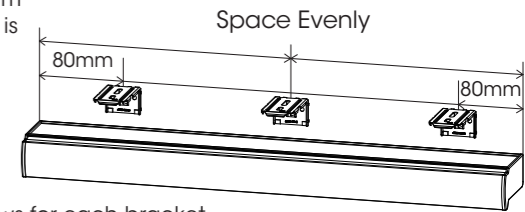
Please write a review on our website at...

www.venetablinds.com.au

1 Installation Brackets

Installing inside the window frame...

- At top of window or door frame, measure 80mm in from each end and mark with a pencil. This is the edge of the outer brackets.
- Place brackets in position flush with the front of the window opening and mark where the screws will go.
- We recommend drilling pilot holes for the screws using a 2mm bit.
- Fix the brackets into position using 2 long screws for each bracket.
- If more brackets are supplied, space them evenly between the first two brackets.

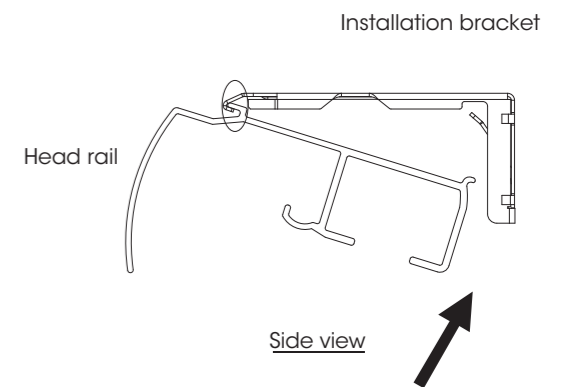


Installing outside the window frame...

- Measure 80mm in from top left and top right of where blind will sit (normally edge of architrave) and mark with a pencil. This is the edge of the outer brackets.
- Position the top of bracket 3mm above the architrave and mark where the screws will go.
- We recommend using a spirit level to align brackets if not installing on the architrave.
- We recommend drilling pilot holes for the screws using a 2mm bit.
- Fix the brackets into position using 2 long screws for each bracket.
- If more brackets are supplied, space them evenly between the first two brackets.

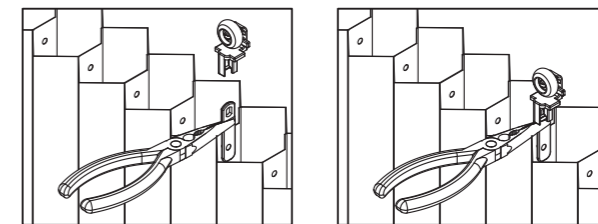
2 Head Rail

- Position the top lip of the headrail under the top front lip of the brackets as per diagram to the right.
- Push the headrail up at the back to click into position as per diagram to the right.



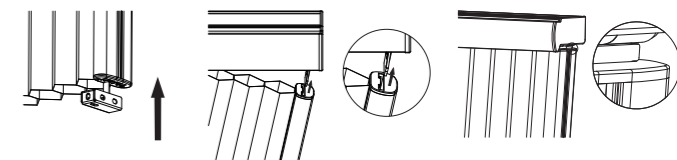
3 Clips & Rollers

- Attach clips to rollers (clips are attached to top of fabric).



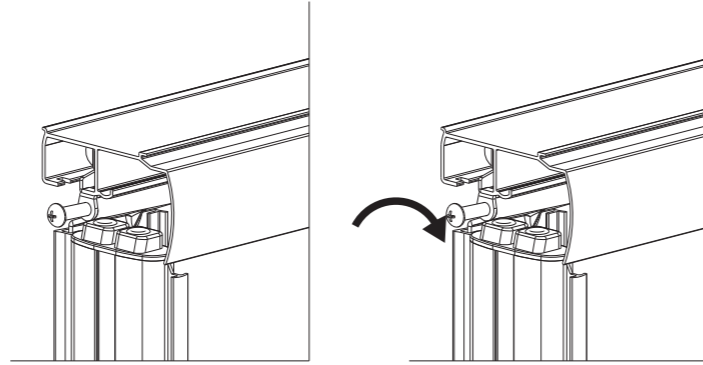
4 Fixed Vertical Rail

- Note: Do not untie the cords at the top of the vertical rail.
- Attach the floor bracket to the end cap of unmovable vertical rail, shown in right drawing.
- Push the fixed vertical rail from down to up as right drawing. Attach fixed vertical rail by pushing the fixing hanger into the gap of head rail as drawing.



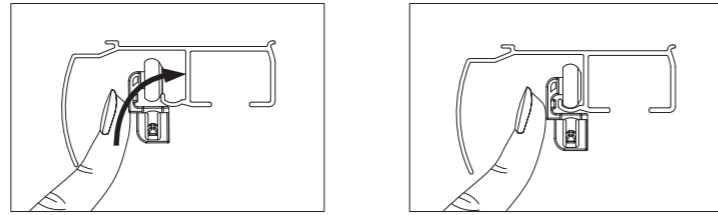
5 Movable Vertical Rail

- Note: Slide the support shaft along the head rail to the required spot.
- Align the movable vertical rail to the sliding support shaft in head rail.
- Insert and screw the bolt until firm.



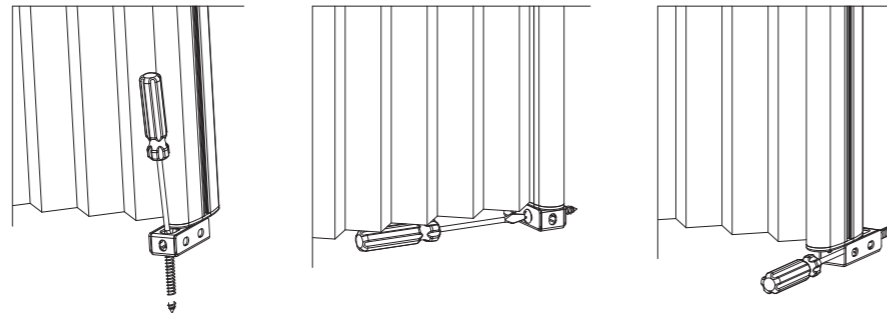
6 Fabric Clips and Rollers

- Press onto headrail from the front of the blind.
- NOTE: The rollers should be facing away from you.



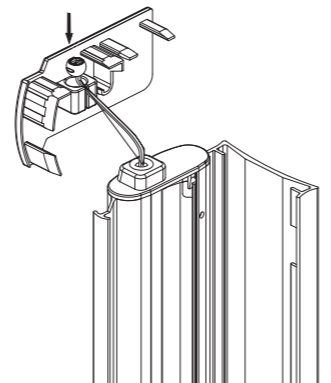
7 Bottom Bracket

- As per the drawings to the right, decide which way you will face the bottom bracket to be screwed to the wall or the floor.
- Tilt the bottom of the fixed vertical rail out into the room and insert the bottom bracket into the slot in the bottom of the fixed vertical rail.
- We recommend drilling a pilot hole for the screw using a 2mm bit.
- Fix the bracket into place using a medium screw.
- Note: photo on right is taken from the rear of the blind.



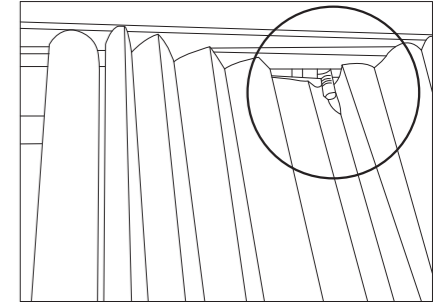
8 Tension Cord

- Remove the rubber band from the cord and bead.
- Left or right stack
 - At the opposite end to the fabric stack on the headrail, you will find the bead housing located within the end cap.
 - Insert the beaded cord into the bead housing from the top.
 - Note: The string needs to be inserted into the slot.
- Centre opening
 - For the right hand fabric stack, take the beaded cord to the far left hand side end cap & insert the beaded cord into the bead housing from the top.
 - For the left hand fabric stack, take the beaded cord to the far right hand side end cap & insert the beaded cord into the bead housing from the top.
 - Note: Use your hand to push the fabric back to reveal the housing – fabric will bounce back.
- Note: for Centre Opening model, repeat steps 3 to 7 for the other side of the blind.



9 Vertical Alignment

- If the movable vertical rail is not vertical, adjust the screw as per image.
- Turn the screw either clockwise or anti-clockwise to make the rail vertical.
- Note: the fabric can be crinkled and will bounce back into place.



Great Job... Enjoy your new Veneta Blinds!

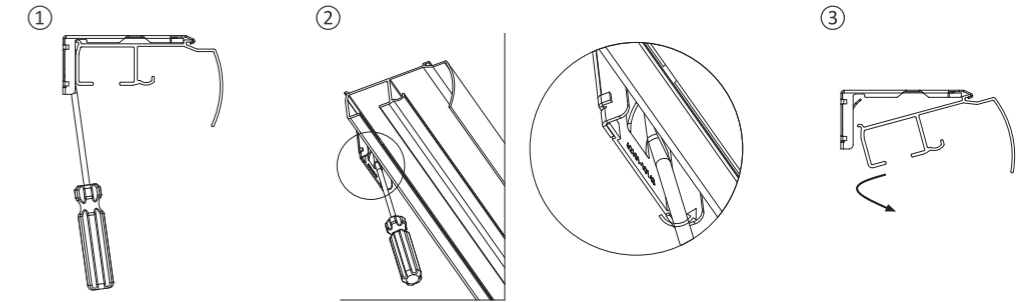
Operating your Blind

- To operate the blind simply grab the movable vertical rail to slide the blind.

Maintaining your Blind

1 Removing your blind

- Remove the blanket from the head rail.
- Hold the blanket, and then to remove the vertical rail from the head rail.
- Refer to below guide to remove the head rail.
 - Position a flat head screw driver between the back of the headrail and bracket.
 - Push screw driver upwards
 - Pull back of headrail down to unclip bracket from headrail.
 - Repeat for all other brackets.



2 Dusting

- Dust can be removed using a feather duster or vacuum with brush attachment on low suction.

3 Spot Cleaning

- Use a warm damp cloth or a mild detergent for tougher stains.
- Dab the affected area, but do not rub the fabric. Finish with just a warm damp cloth.
- Allow the fabric to dry in the closed position.

4 Ultrasonic Cleaning

- If ultrasonically cleaning the blind please specify that a mild solution must be used.
- Note the rails should never be immersed in liquid.

Feedback?

We would love to know how you went with your installation...

Please write a review on our website at...

www.venetablinds.com.au