







# The Storage

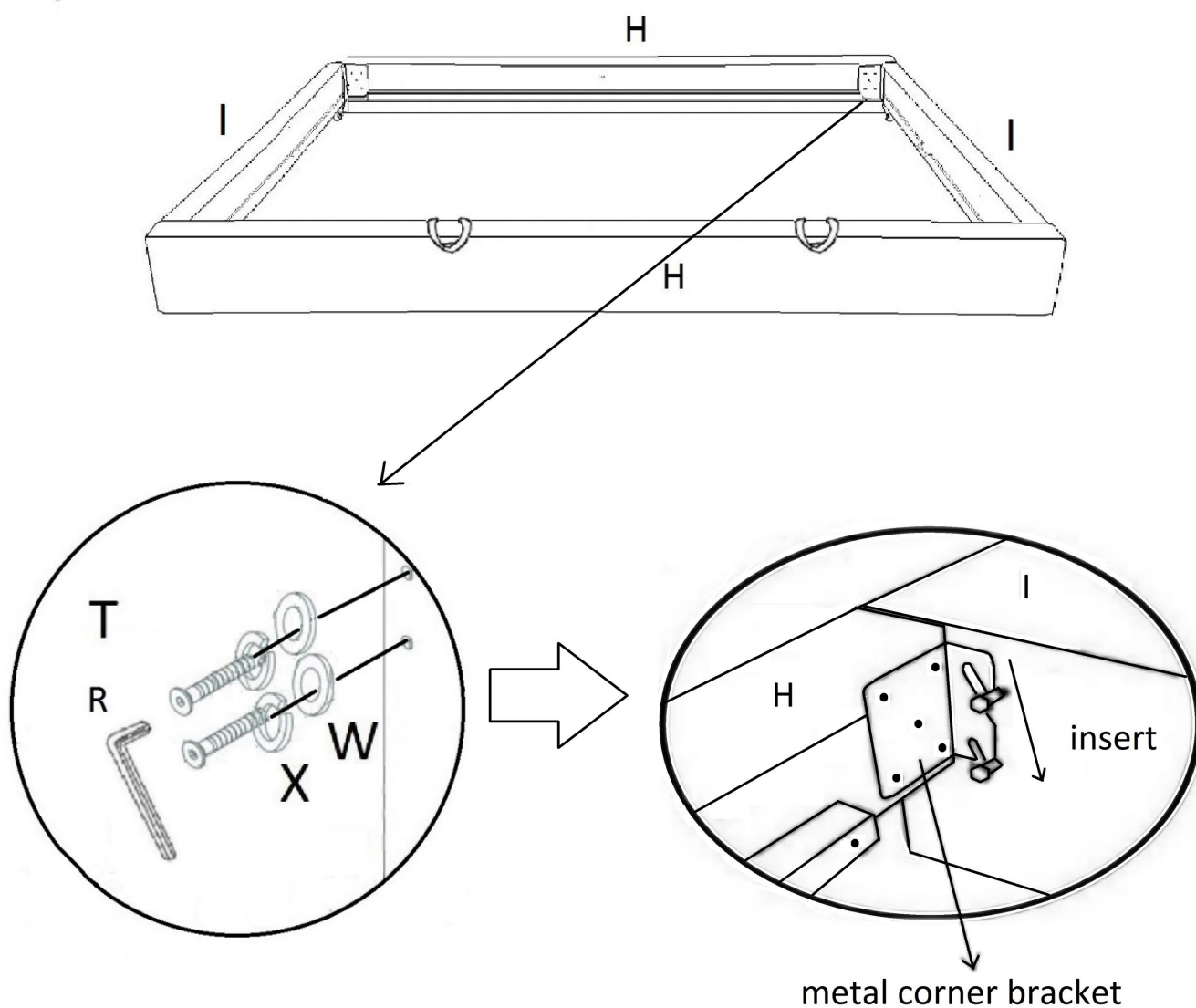
The Storage is meant to be used with The Kids Bed and The Daybed. Please assemble those items before assembling The Storage.

## ● Step 1






Part	Description	Sketch	Qty.	Specs
H	Storage Sideboard		2X	75.25"X 7.5"
I	Storage Headboard / Footboard		2X	40.25"X 7.5"
T	Bolt		8X	5/16 X 30MM
W	Metal Washer		8X	M8
X	Spring Washer		8X	M8
R	Small Hex Key		1X	M5



Insert the bolt (T) through the spring washer (X), metal washer (W) into the hole of headboard (I). Use the small hex key (R) to tighten the bolt (T). After the bolt (T) gets into the hole ~ 1/3 of the way, align storage sideboard (H) with the storage headboard (I). Hang the metal corner bracket on the bolt (T) and insert as shown. Then use small hex key (R) to tight the remaining part of bolt until the metal corner bracket is fully fixed on the headboard (I). Repeat for the footboard.

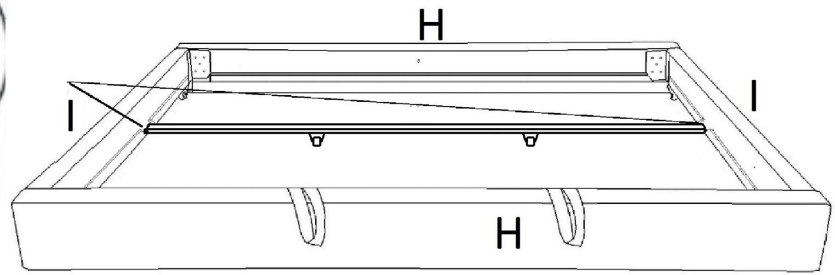
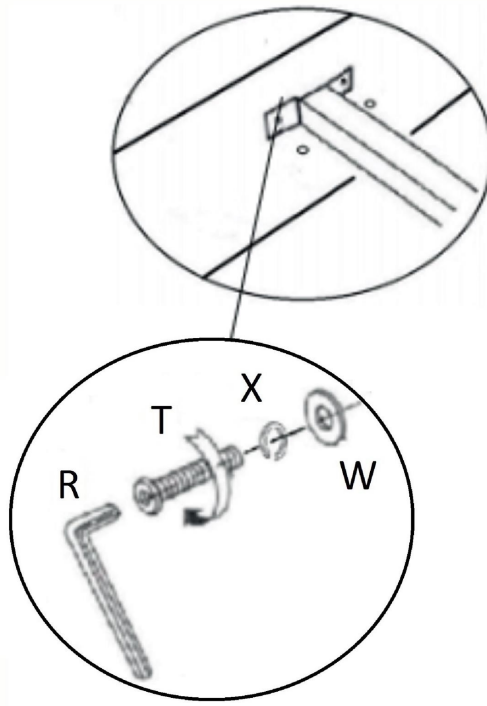


## ● Step 2

Part	Description	Sketch	Qty.	Specs
K	Storage Center Rail		1X	71.5"X 2"X 1.25"
T	Bolt		4X	5/16 X 30MM
W	Metal Washer		4X	M8
X	Spring Washer		4X	M8
R	Small Hex Key		1X	M5

Align the center rail (K) with the storage headboard (I) and storage footboard (I) as shown. Screw the bolt (T) through the spring washer (X), and metal washer (W) into the hole until the brackets are fully fixed.



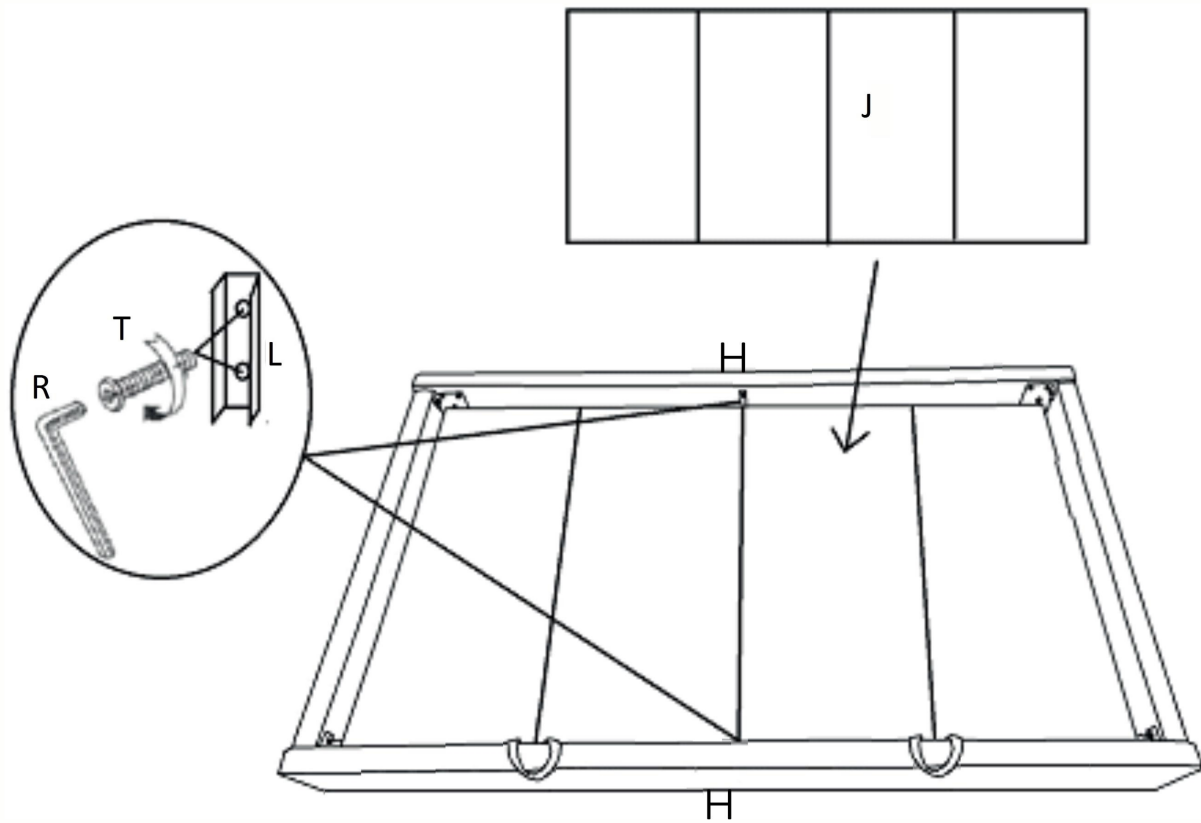


### ● Step 3


Part	Description	Sketch	Qty.	Specs
L	Rectangular Metal Bracket		2X	2.75" X 1"
J	Storage Board		1X	40.2" X 70.9"
R	Small Hex Key		1X	M5
T	Bolt		4X	5/16 X 30MM



Place the folded storage board (J) into the storage frame as shown. Install two pieces rectangular metal brackets (L) on two storage sideboards (H).

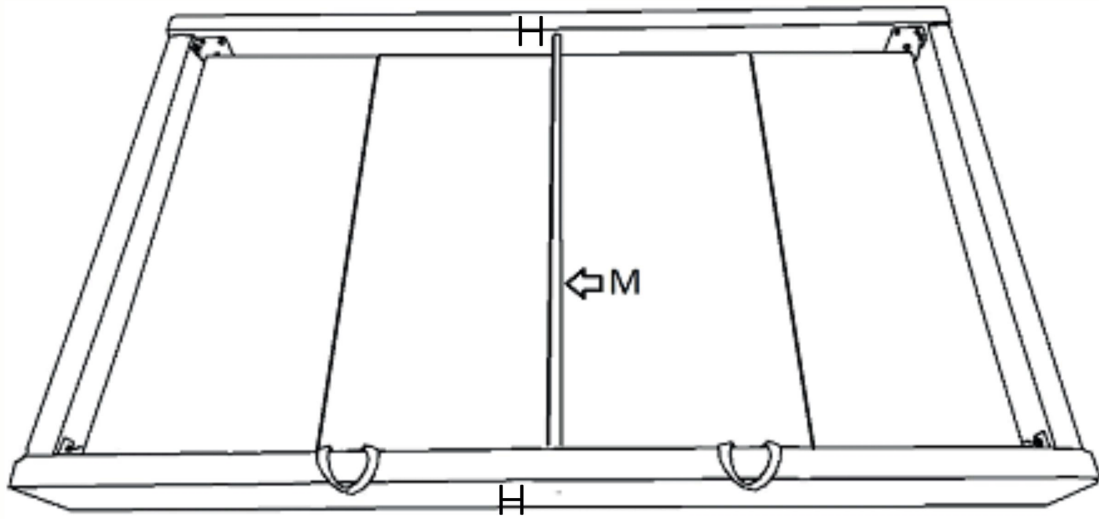


#### ● Step 4

Part	Description	Sketch	Qty.	Specs
M	Middle Board		1X	39.75"X 3.5"X 0.75"

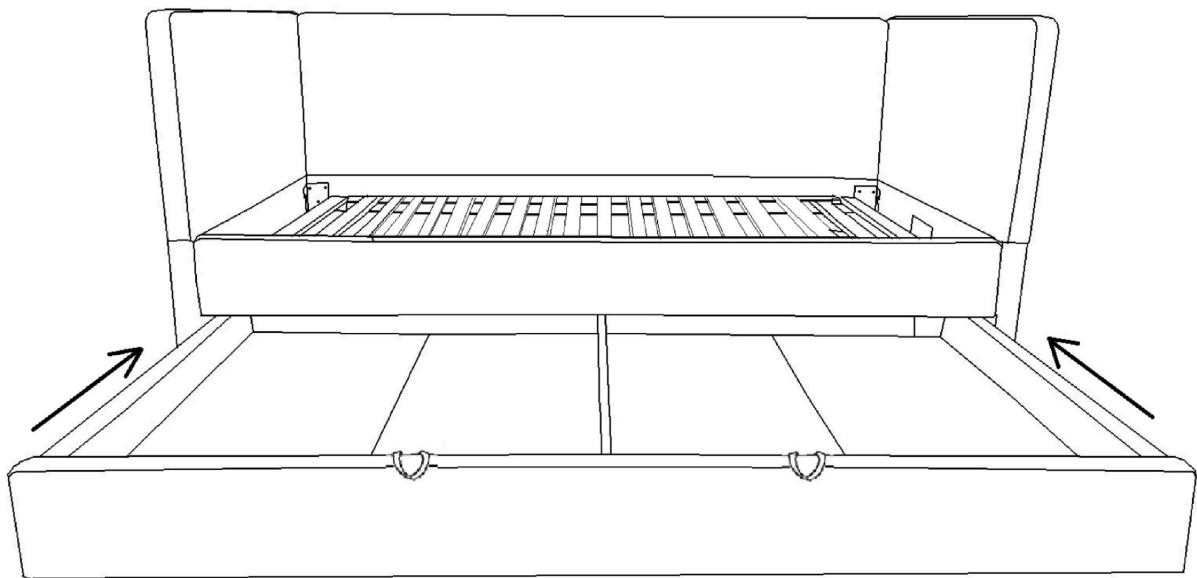
Insert the middle board (M) into the storage brackets (L) on both sideboards (H).





Finish.

Daybed with Storage.



# The Kids Bed with Storage.

