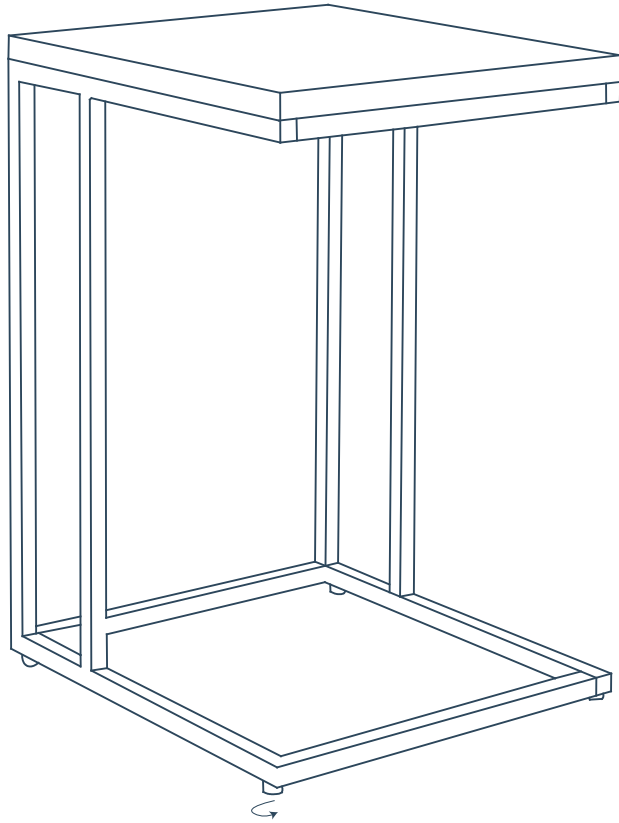


Step 4



Questions? Give us a shout at info@nurtureand.com

Back

Nurture& The Side Table

INSTRUCTION MANUAL



Cover

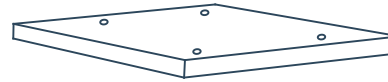
Hi. Hello!

Congratulations on your Nurture& purchase - we are so excited for you to join the #madeforsharedmoments community, and enjoy The Side Table with your growing family.

- To avoid injury, use care when assembling.
- Adult supervision required when used by children.
- Assemble and use on level surface.
- For any questions, email us at info@nurtureand.com.
- Maximum load: 100 lbs. Exceeding this weight may damage product and cause potential injury.

Before you assemble: check for damaged or missing parts (email info@nurtureand.com for help), use the carton as a working surface to prevent product damage before assembly, and gather all parts prior to assembly.

A



B

*2

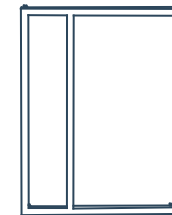


C

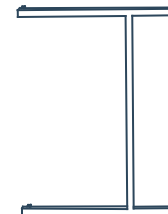
*2



D



E



F

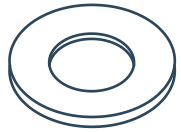


M6*14
20PCS

Questions? Give us a shout at info@nurtureand.com

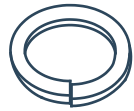
Inside

G



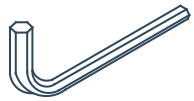
4 PCS

H



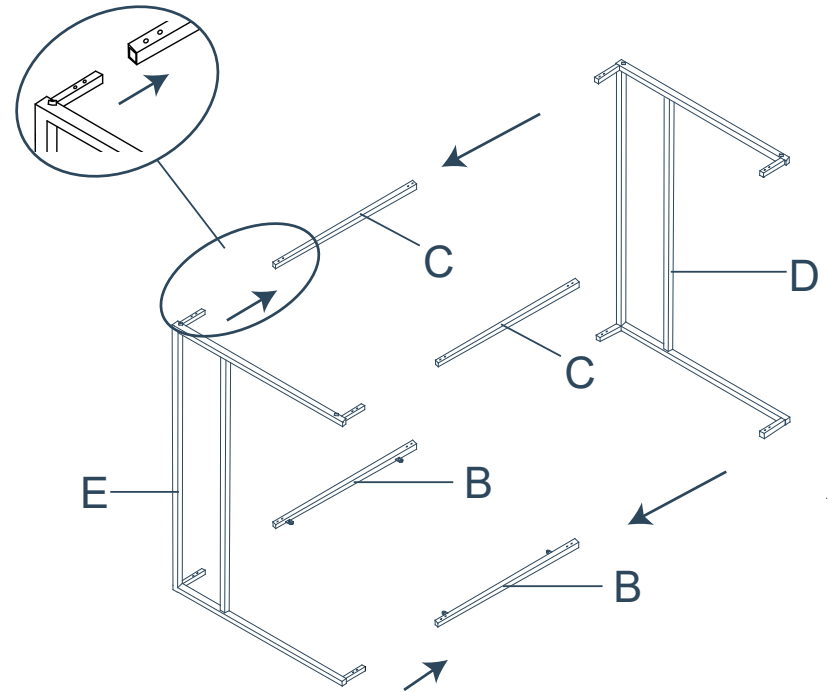
4PCS

I



M6

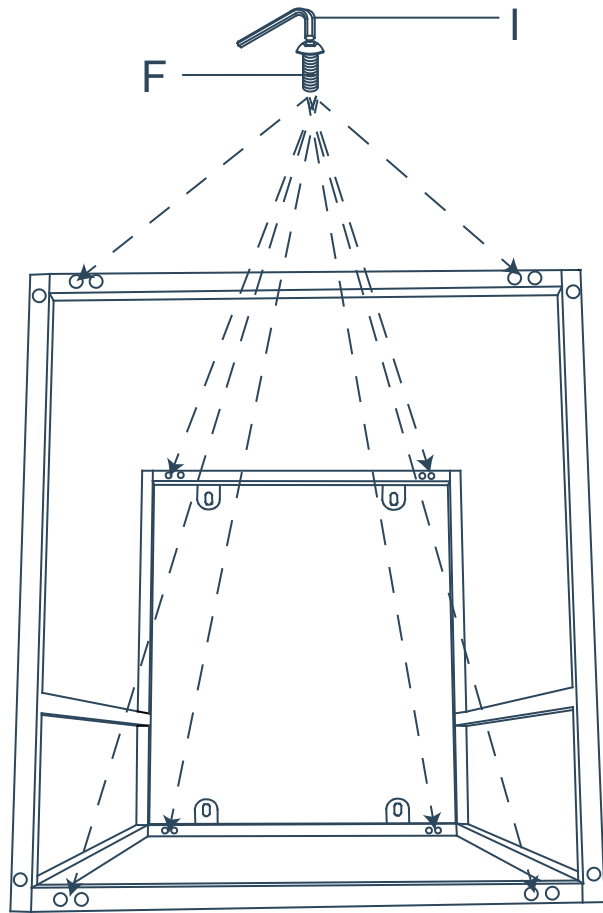
Step 1



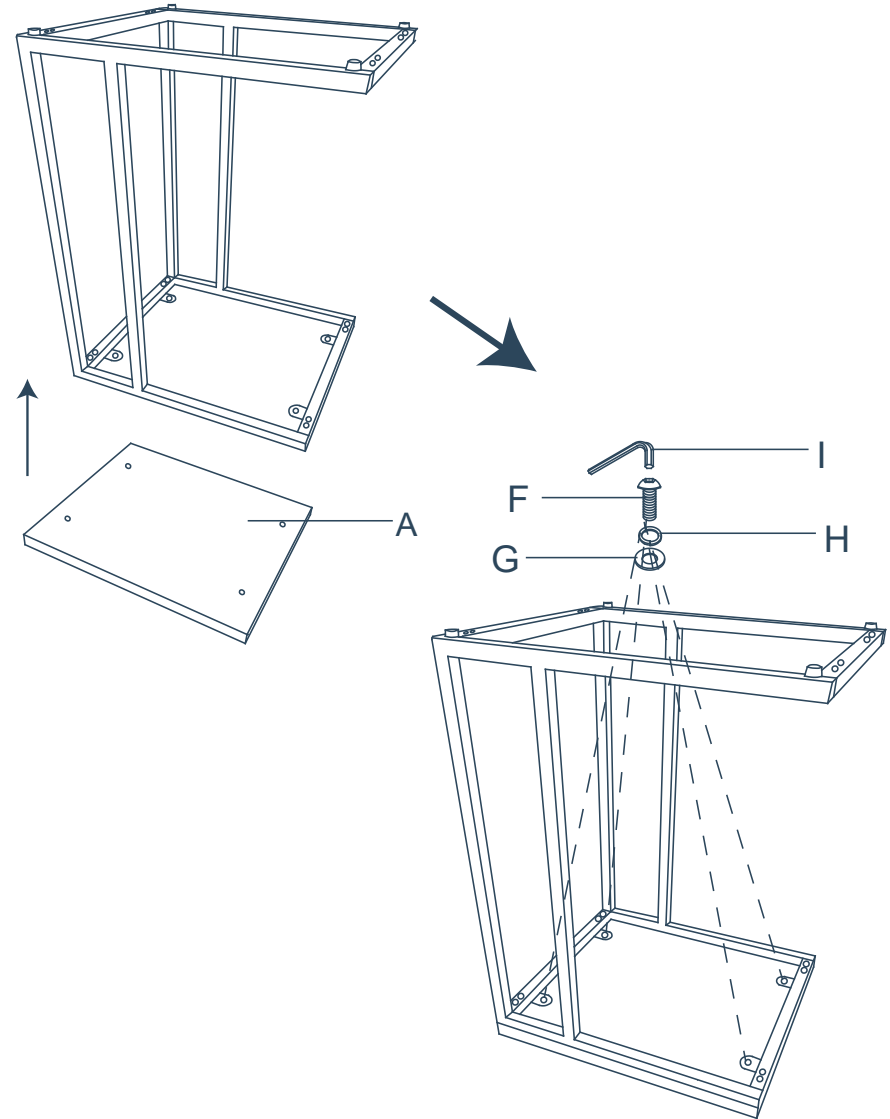
Questions? Give us a shout at info@nurtureand.com

Inside

Step 2



Step 3



Questions? Give us a shout at info@nurtureand.com

Inside