

Nurture&

THE ROCKING CHAIR

INSTRUCTION MANUAL

QUESTIONS? GIVE US A SHOUT AT
INFO@NURTUREAND.COM

Hi. Hello!

Congratulations on your purchase and welcome to the Nurture& family! We hope you love The Rocking Chair as much as we do and we are always here to help if any questions arise.

Assembly Instructions With The Rocking Base

Step 1



A. SOFA BODY 1X



B. FOOT SUPPORT 4X



C. BOLT 8X
5/16 X 60MM



D. METAL WASHER 8X
M8

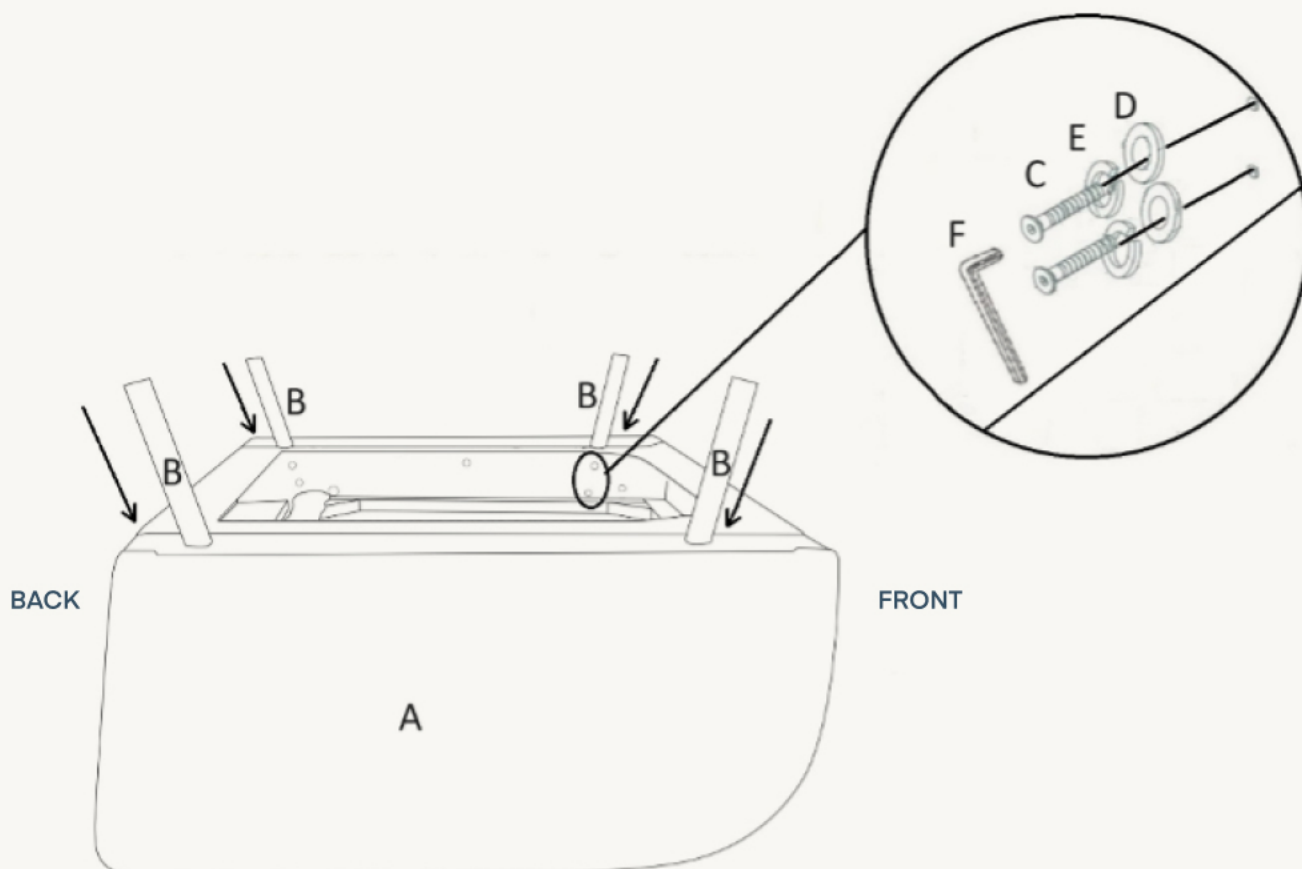


E. SPRING WASHER 8X
M8



F. HEX KEY 1X
M5

Insert the legs (B) into the bottom of sofa (A), and use a hex key (F) to lock the bolt (C), spring washer (E), and metal washer (D) according to the position in the picture.

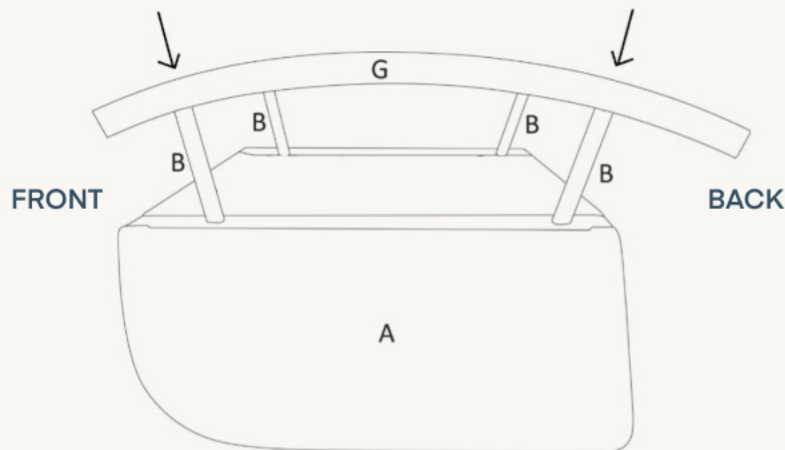


Step 2



G. ROCKER BASE 2X

Insert rocker base (G) into legs (B), paying attention to the front and back positions, with the front shorter and the back longer.



Step 3



C. BOLT 8X
5/16 X 60MM



D. METAL WASHER 8X
M8

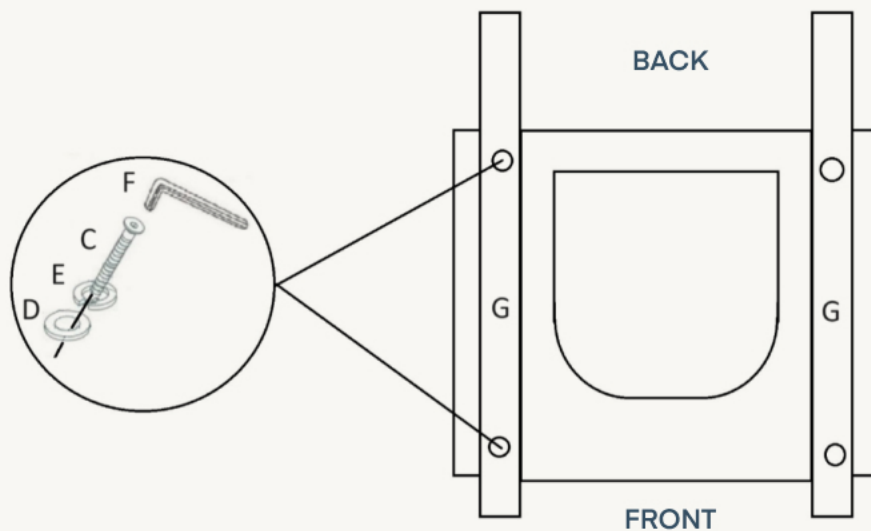


E. SPRING WASHER 8X
M8



F. HEX KEY 1X
M5

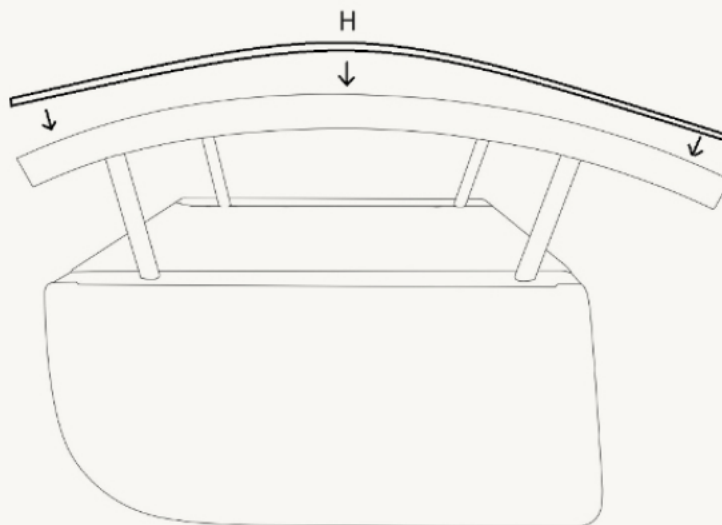
Use a hex key (F) to lock the bolt (C), spring washer (E), and metal washer (D) at the rocker base (G) according to the position in the picture.



Step 4

H. FELT PAD 2X

Stick the felt pad (H) to the bottom of rocker base (G).

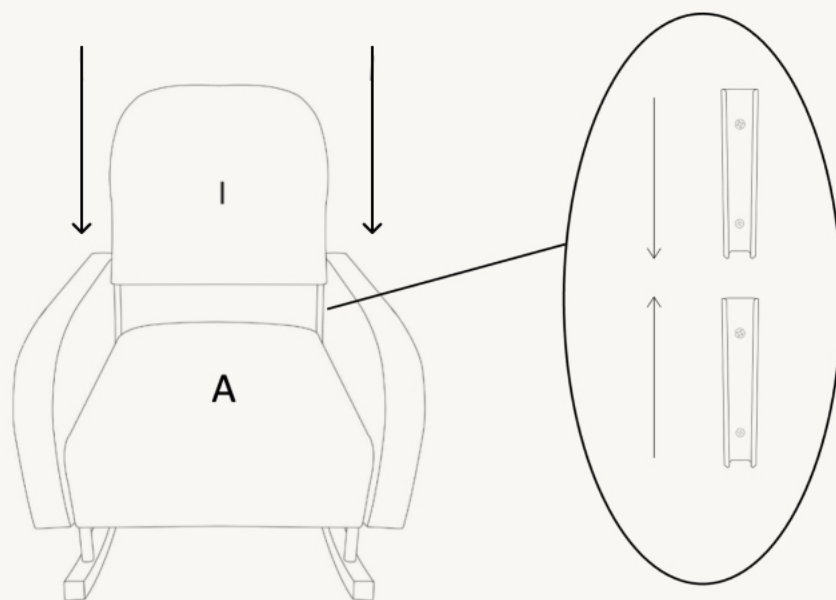


Step 5

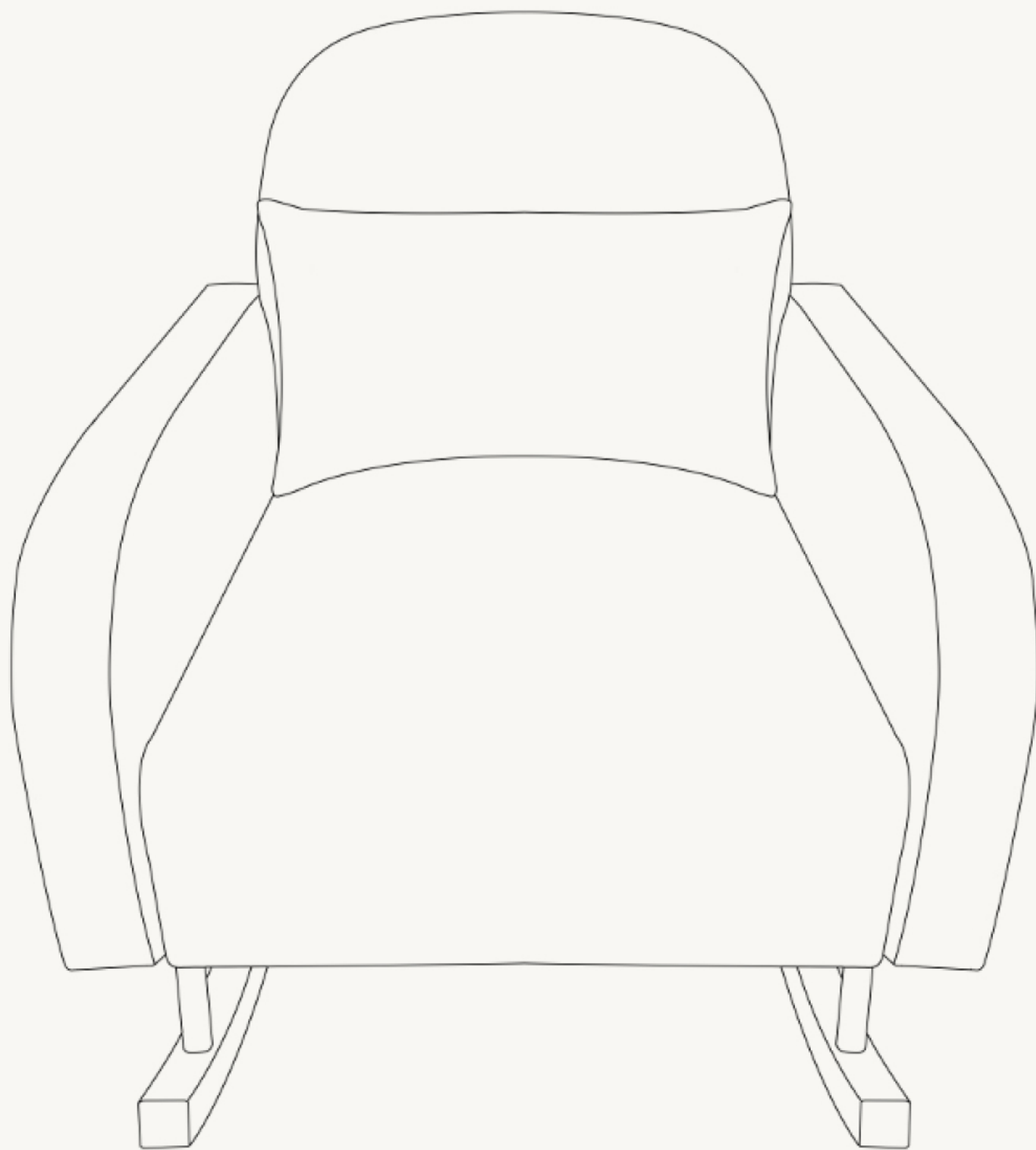


I. SOFA BACK 1X

Insert the chair back (I) into the track of the arm of the base (A) as shown in the picture.



Finish



Assembly Instructions With Wooden Legs

Step 1



A. SOFA BODY 1X



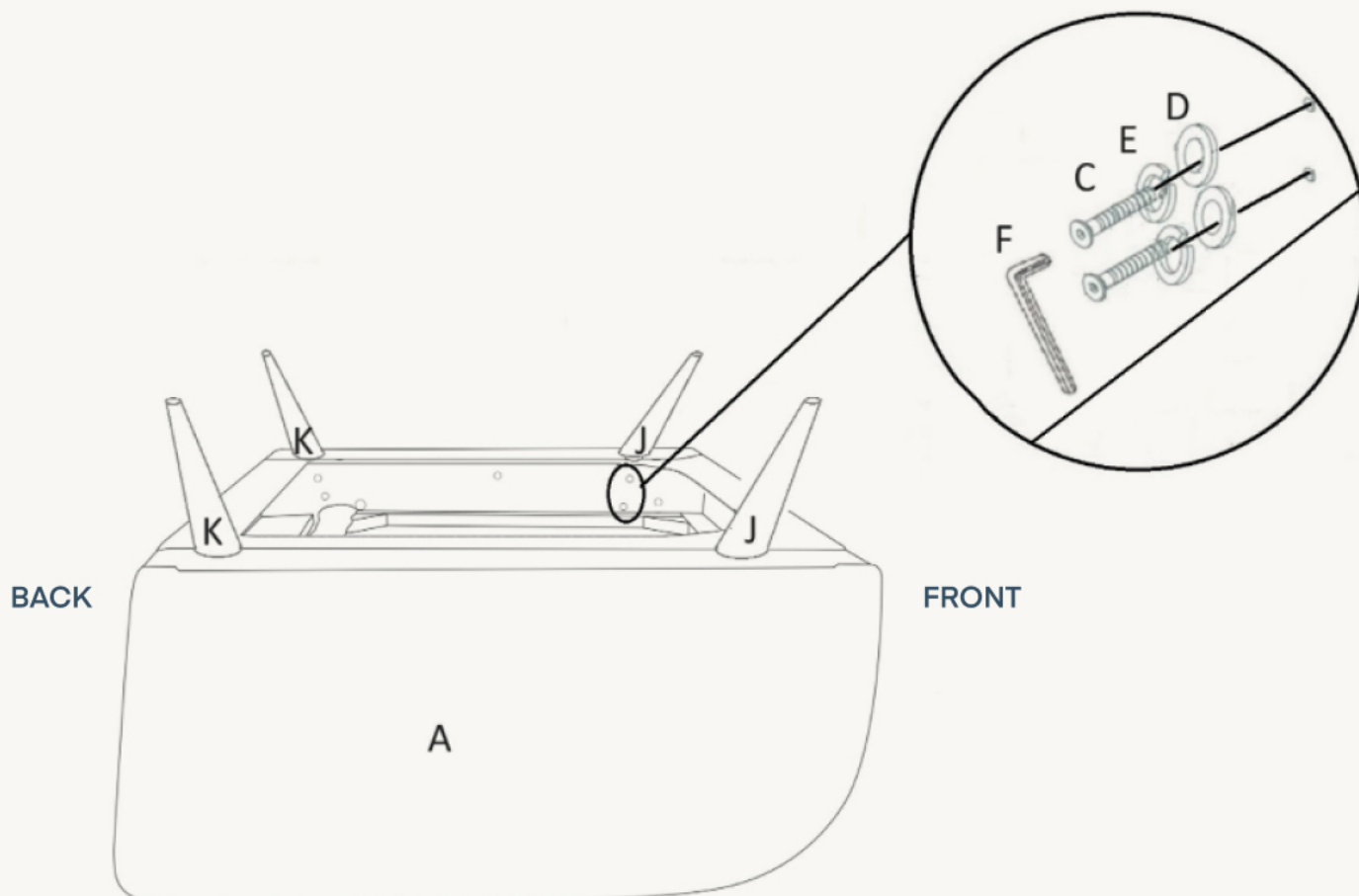
J. FRONT LEG 2X



K. BACK LEG 2X

D. METAL WASHER 8X
M8E. SPRING WASHER 8X
M8F. HEX KEY 1X
M5C. BOLT 8X
5/16 X 60MM

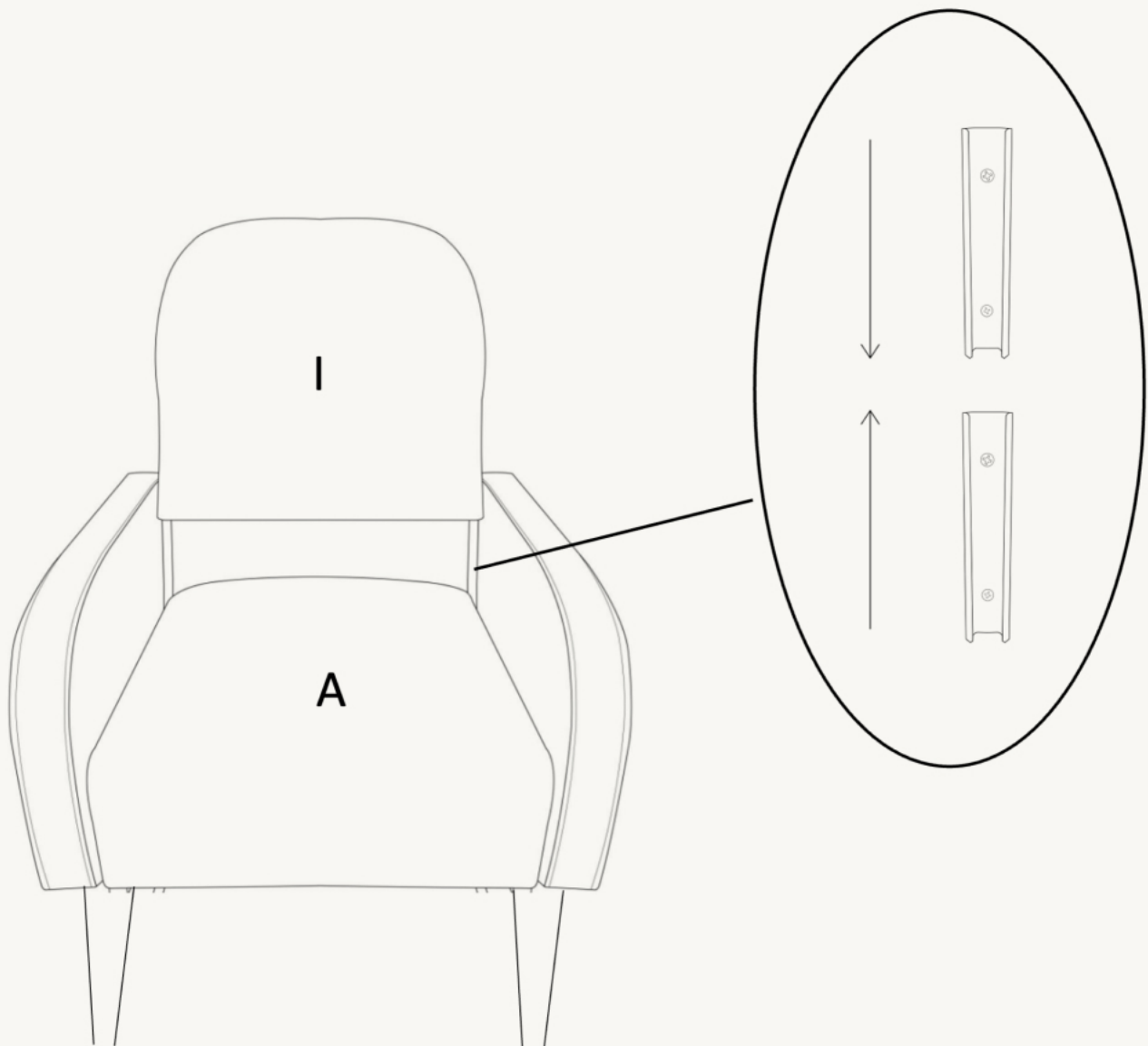
Insert the front foot (J) and back foot (K) into the bottom of sofa (A), and use hex key (F) to lock the bolt (C), spring washer (E), and metal washer (D) according to the position in the picture.



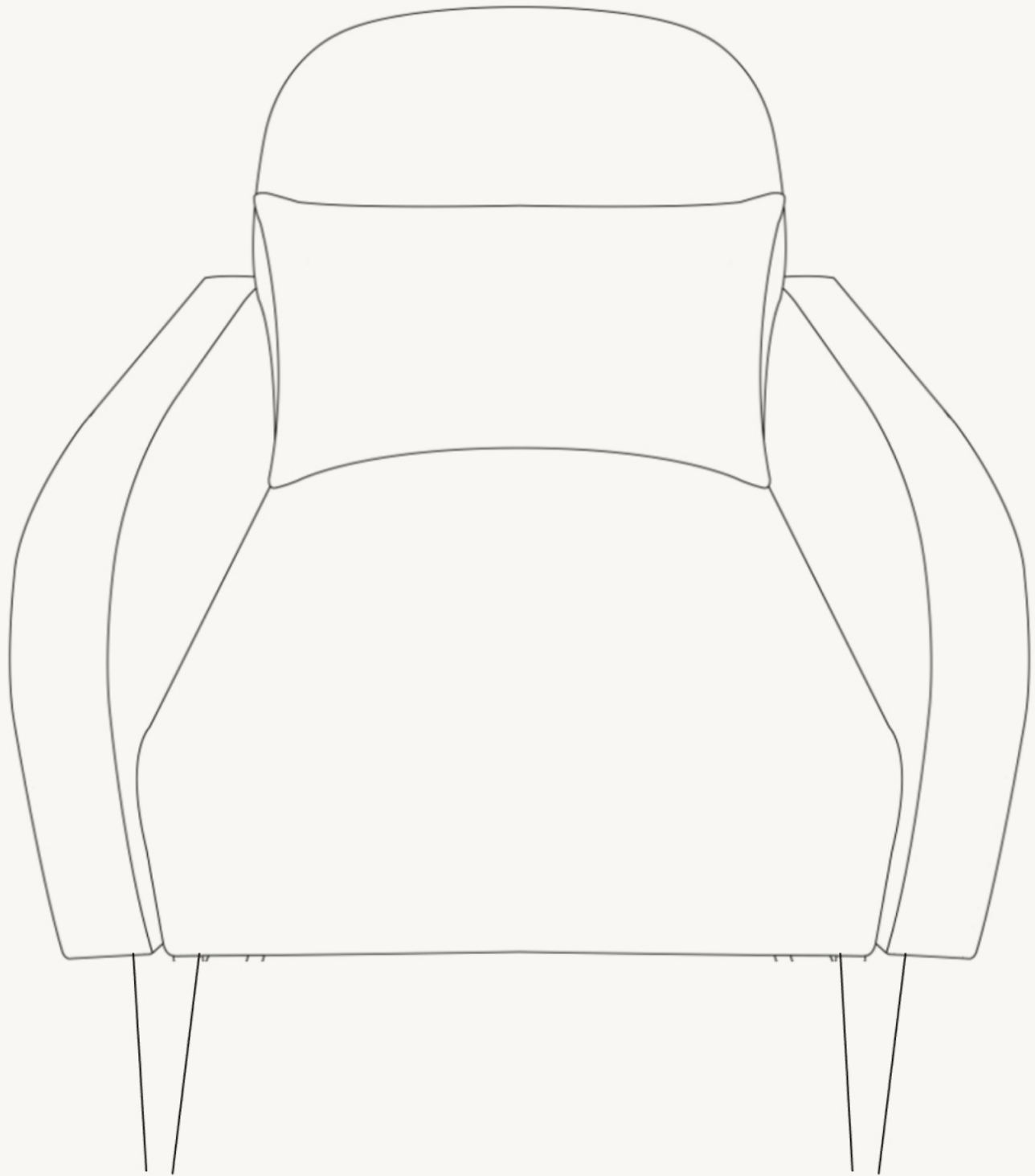
Step 2

G. ROCKER BASE 2X

Insert the chair back (I) into the track of the arm of the base (A) as shown in the picture.



Finish



QUESTIONS? GIVE US A SHOUT AT
INFO@NURTUREAND.COM

Nurture &