




The Daybed

The Daybed Comes in five cartons - Bed Base 1, Bed Base 2, The Backboard, and The Upper Headboard x 2.

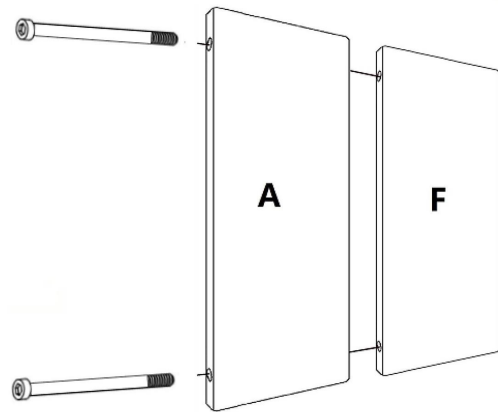
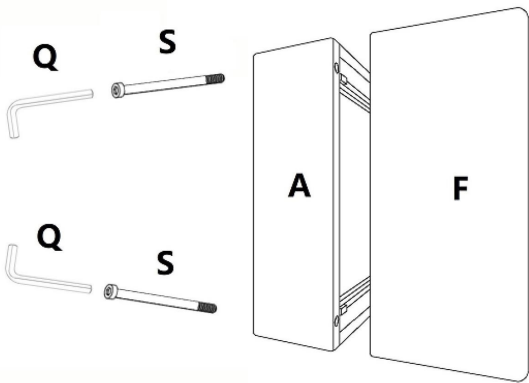
Please unpack materials from all cartons before starting assembly.
Assemble The Bed Base first before moving onto The Daybed instructions.

Step 1

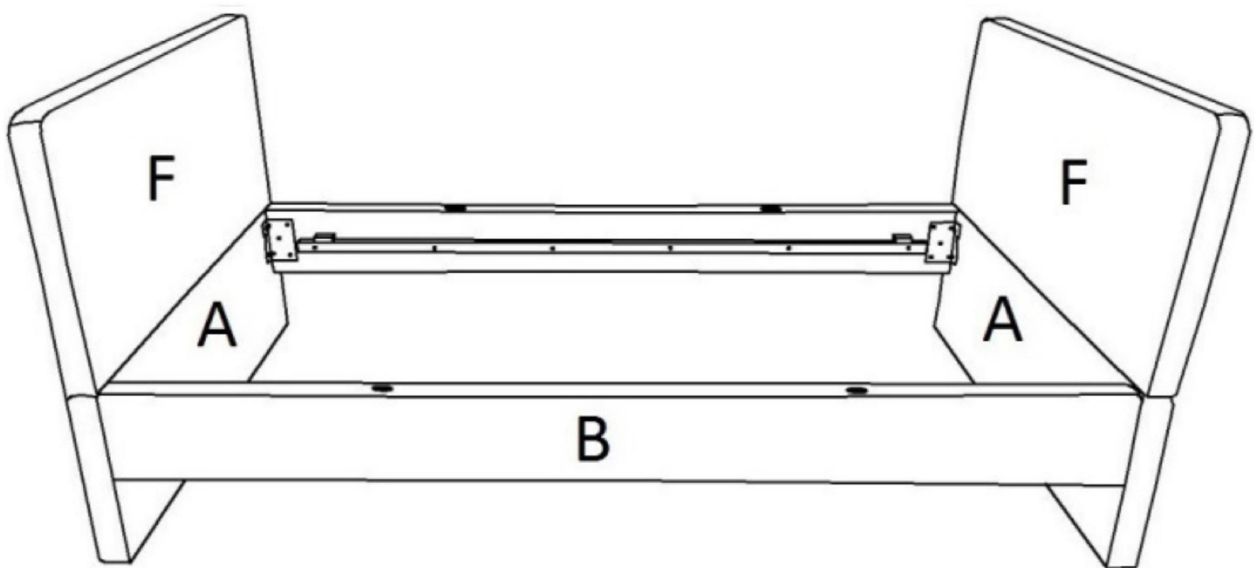
Part	Description	Sketch	Qty.	Specs
F	Upper Headboard / Footboard		2X	45" X 21"
S	Large Bolt (Long)		4X	5/16 X 400MM
Q	Large Hex Key		1X	M15



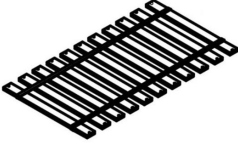
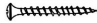

Insert the large bolt (S) through the hole of the bottom headboard (A) and the hole of the upper headboard (F) as shown. Then, use the large hex key (Q) to tighten the large bolt (S) until the two boards (A and F) are fully fixed.



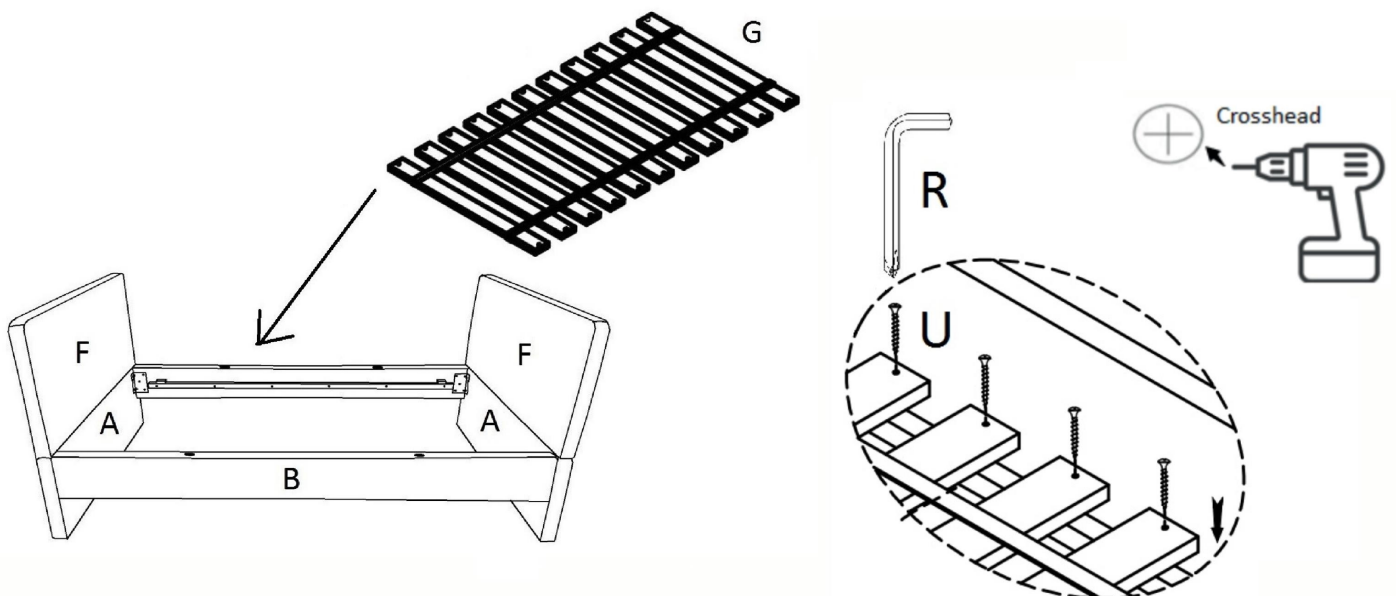
Finish.




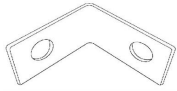


● Step 2

Part	Description	Sketch	Qty.	Specs
G	Slats		1X	69.75"X 40"X 0.75"
U	Screw		34X	4X40MM
R	Small Hex Key		1X	M5

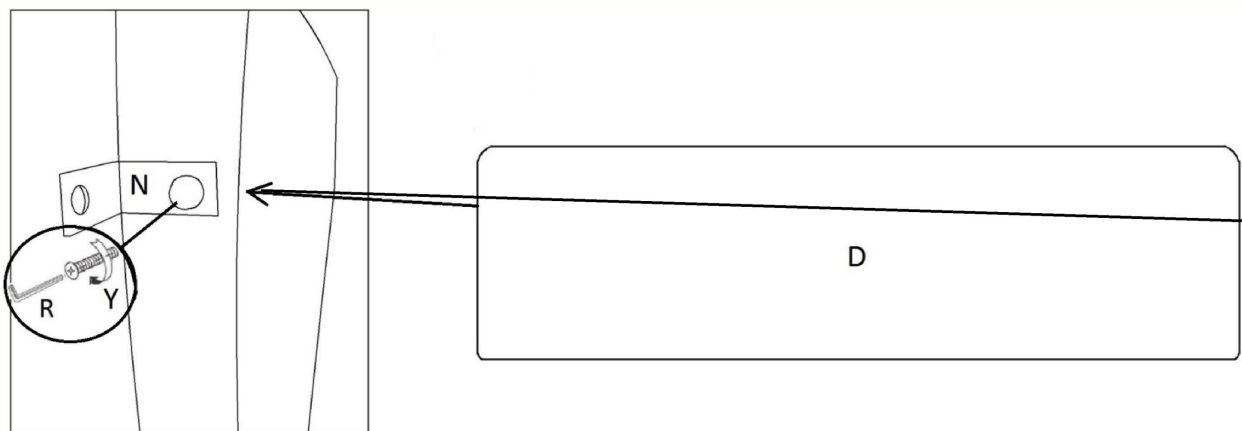
- 1) Make sure your bed is fully assembled and all bolts are tight.
- 2) Unroll the slats (G), and carefully lay the slats into the bed frame.
- 3) **ADDITIONAL STEP:** If you feel the slats are not stable enough, you can use the small hex key (R) to install screws at two sides of slats to fix the slats on the wood frame. You can also choose to use the electro drill to install the screws.





● Step 3

Part	Description	Sketch	Qty.	Specs
D	Backboard		1X	76.25" X 21"
N	Metal Connector		2X	40MM X 40MM
Y	Bolt		2X	5/16 X 25MM
R	Small Hex Key		1X	M5

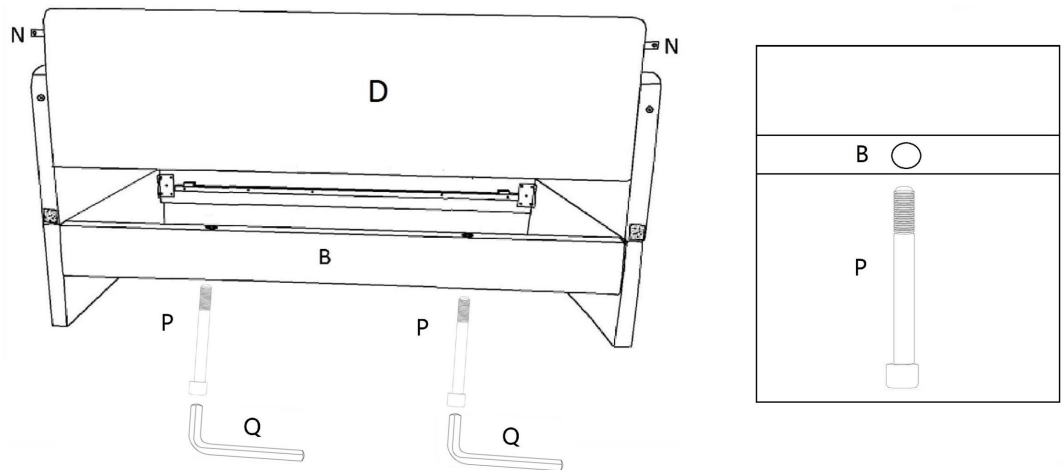
Attach the metal connector (N) to the two sides of the backboard (D) using a small hex key (R) to tighten as shown.





● Step 4

Part	Description	Sketch	Qty.	Specs
P	Large Bolt (Short)		2X	5/16 X 200MM
Q	Large Hex Key		1X	M15

Insert the large bolt (P) through the hole of the sideboard (B) and the hole of the backboard (D) as shown. Then, use the large hex key (Q) to tighten the large bolt (P) until the two boards (D and B) are fully fixed.

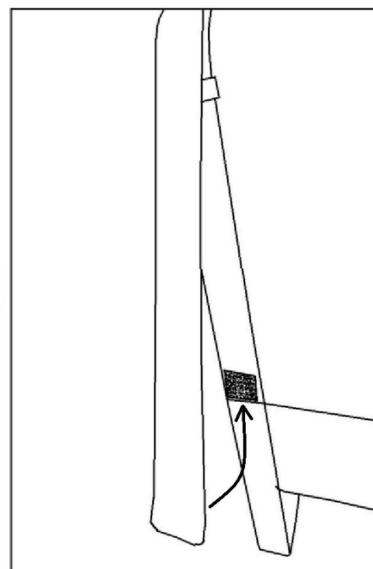
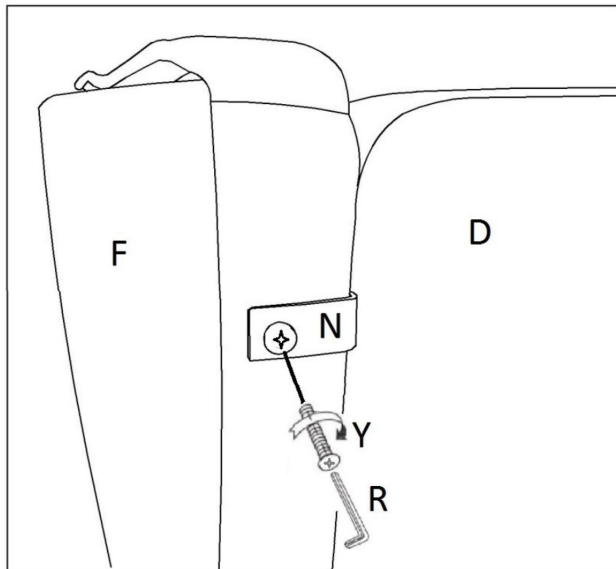


● Step 5

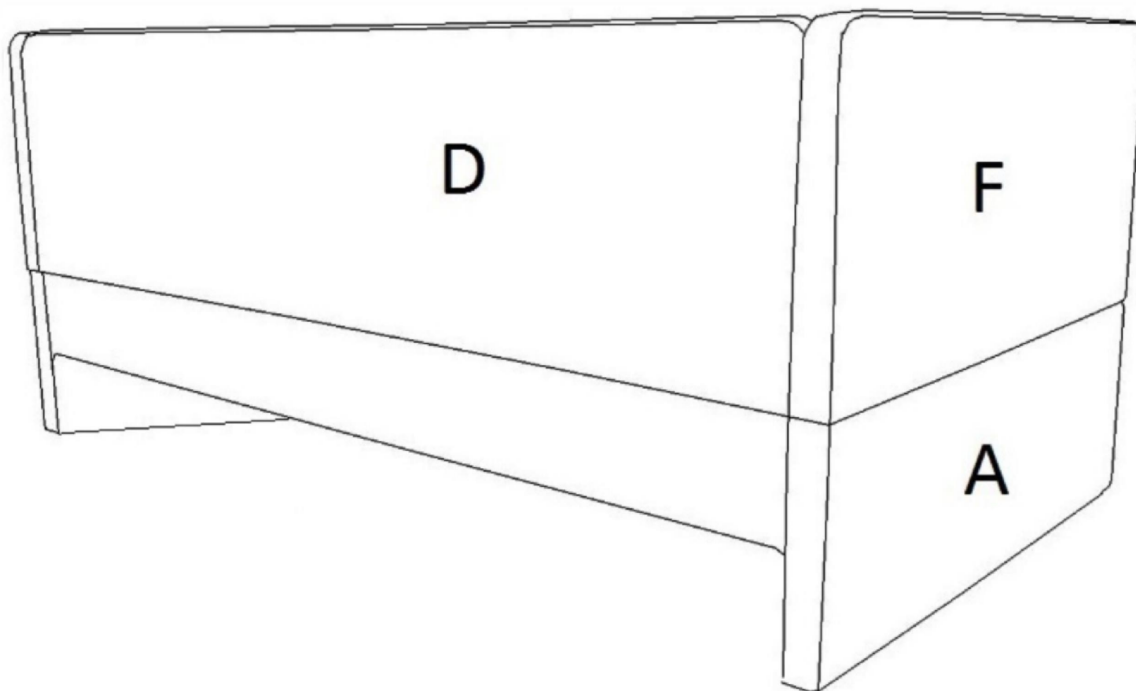
Part	Description	Sketch	Qty.	Specs
Y	Bolt		2X	5/16 X 25MM
R	Small Hex Key		1X	M5

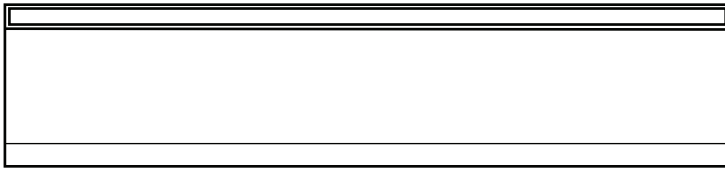


Lock the metal connector (N) with bolt (Y) to the footboard (F) and headboard (F). Then stick the cloth strip onto the velcro to cover the metal connector (N).



Finish.

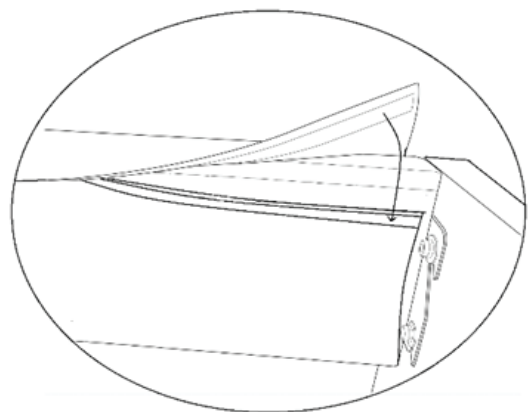
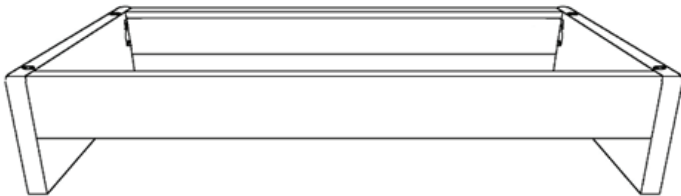




V. FABRIC STRIP 2X

● Additional step







If you do not need to install side Rail on the sideboard B, we provide 2PCS fabric strips to cover the holes on the sideboard B. Lay the fabric strip flat on the sideboard B and organize it before pasting Velcro.



The Storage

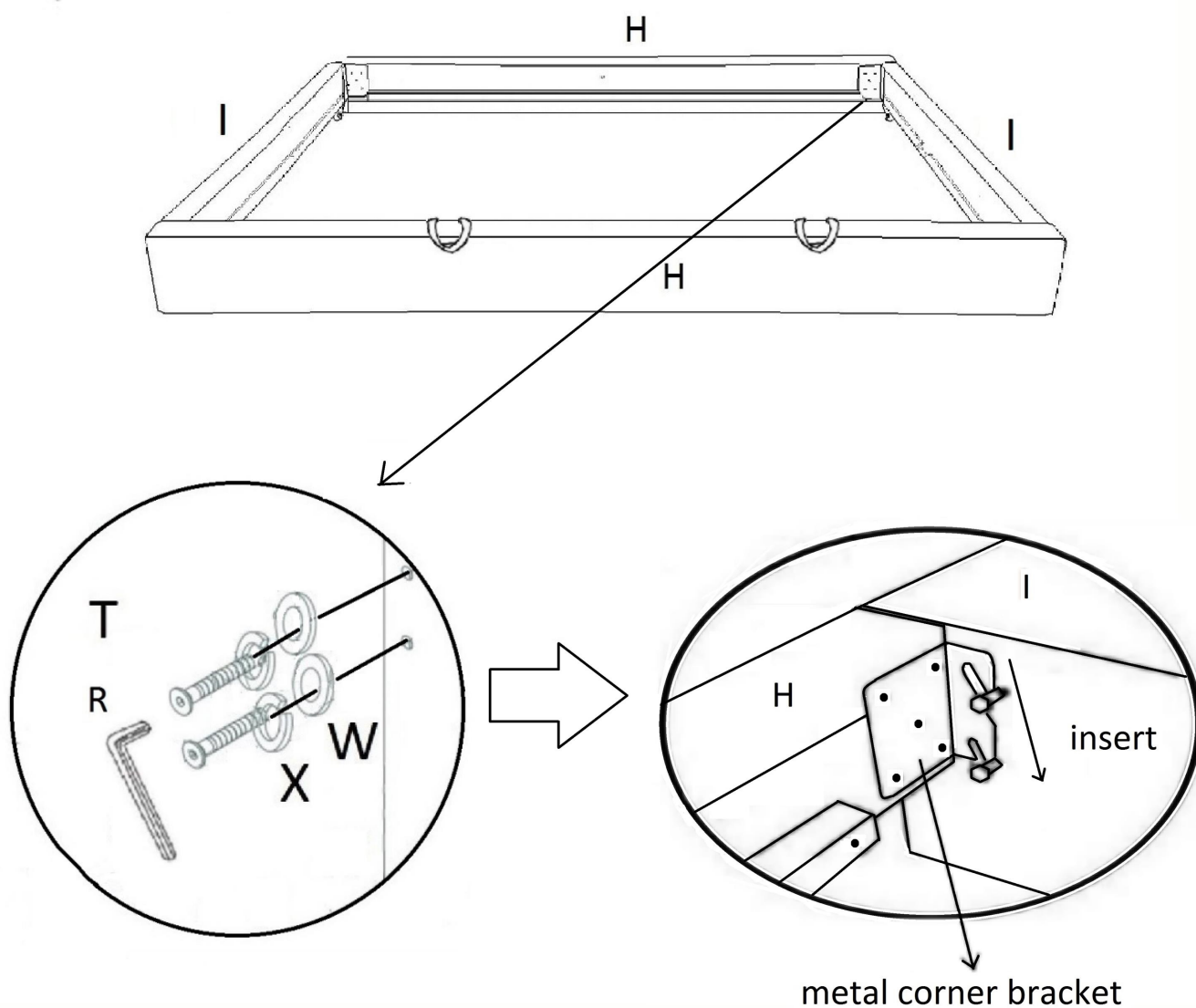
The Storage is meant to be used with The Kids Bed and The Daybed. Please assemble those items before assembling The Storage.

● Step 1






Part	Description	Sketch	Qty.	Specs
H	Storage Sideboard		2X	75.25"X 7.5"
I	Storage Headboard / Footboard		2X	40.25"X 7.5"
T	Bolt		8X	5/16 X 30MM
W	Metal Washer		8X	M8
X	Spring Washer		8X	M8
R	Small Hex Key		1X	M5



Insert the bolt (T) through the spring washer (X), metal washer (W) into the hole of headboard (I). Use the small hex key (R) to tighten the bolt (T). After the bolt (T) gets into the hole ~ 1/3 of the way, align storage sideboard (H) with the storage headboard (I). Hang the metal corner bracket on the bolt (T) and insert as shown. Then use small hex key (R) to tight the remaining part of bolt until the metal corner bracket is fully fixed on the headboard (I). Repeat for the footboard.

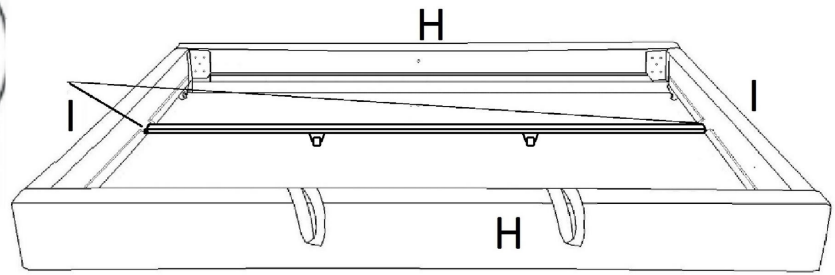
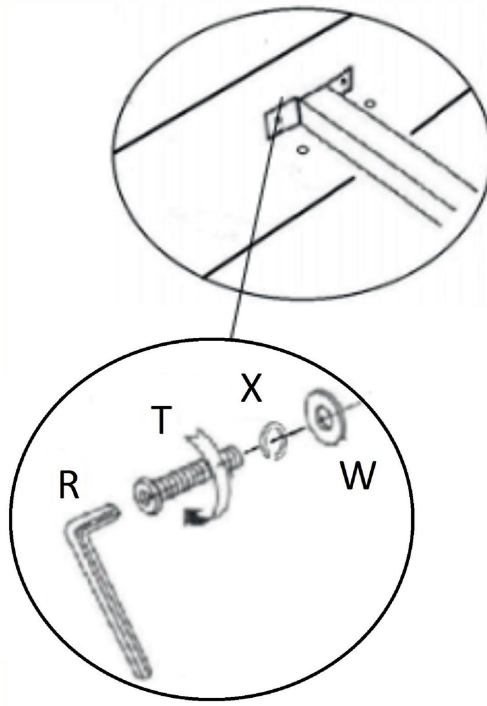


● Step 2

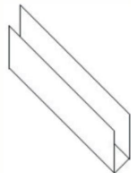
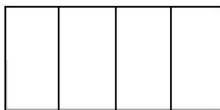


Part	Description	Sketch	Qty.	Specs
K	Storage Center Rail		1X	71.5"X 2"X 1.25"
T	Bolt		4X	5/16 X 30MM
W	Metal Washer		4X	M8
X	Spring Washer		4X	M8
R	Small Hex Key		1X	M5

Align the center rail (K) with the storage headboard (I) and storage footboard (I) as shown. Screw the bolt (T) through the spring washer (X), and metal washer (W) into the hole until the brackets are fully fixed.



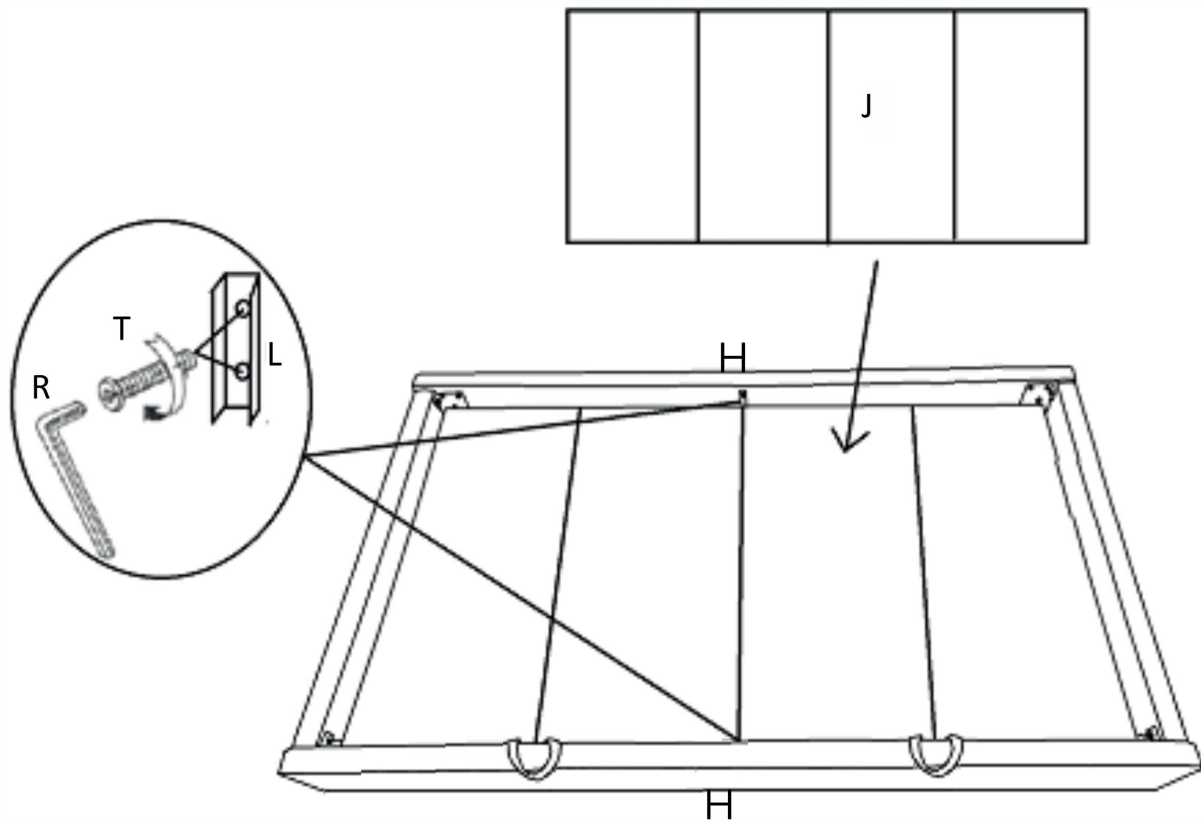


● Step 3


Part	Description	Sketch	Qty.	Specs
L	Rectangular Metal Bracket		2X	2.75" X 1"
J	Storage Board		1X	40.2" X 70.9"
R	Small Hex Key		1X	M5
T	Bolt		4X	5/16 X 30MM



Place the folded storage board (J) into the storage frame as shown. Install two pieces rectangular metal brackets (L) on two storage sideboards (H).

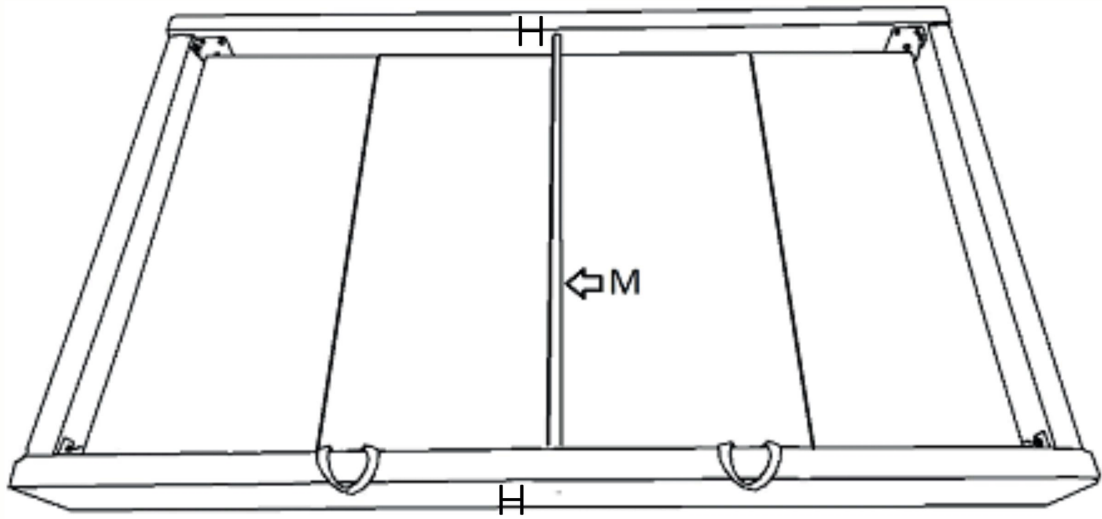


● Step 4

Part	Description	Sketch	Qty.	Specs
M	Middle Board		1X	39.75"X 3.5"X 0.75"

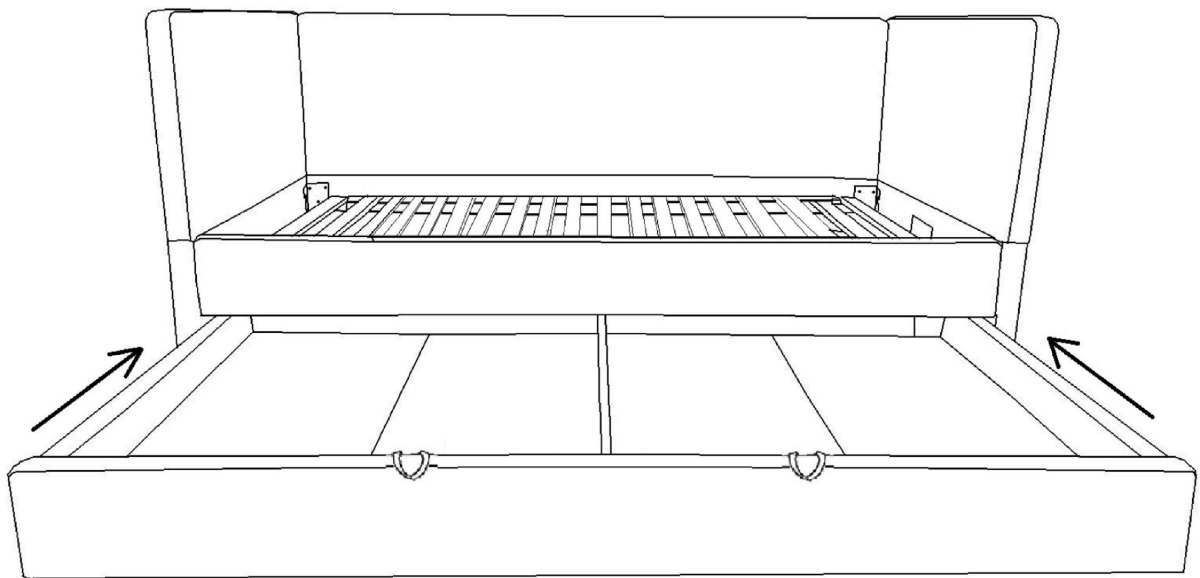
Insert the middle board (M) into the storage brackets (L) on both sideboards (H).





Finish.

Daybed with Storage.



The Kids Bed with Storage.

