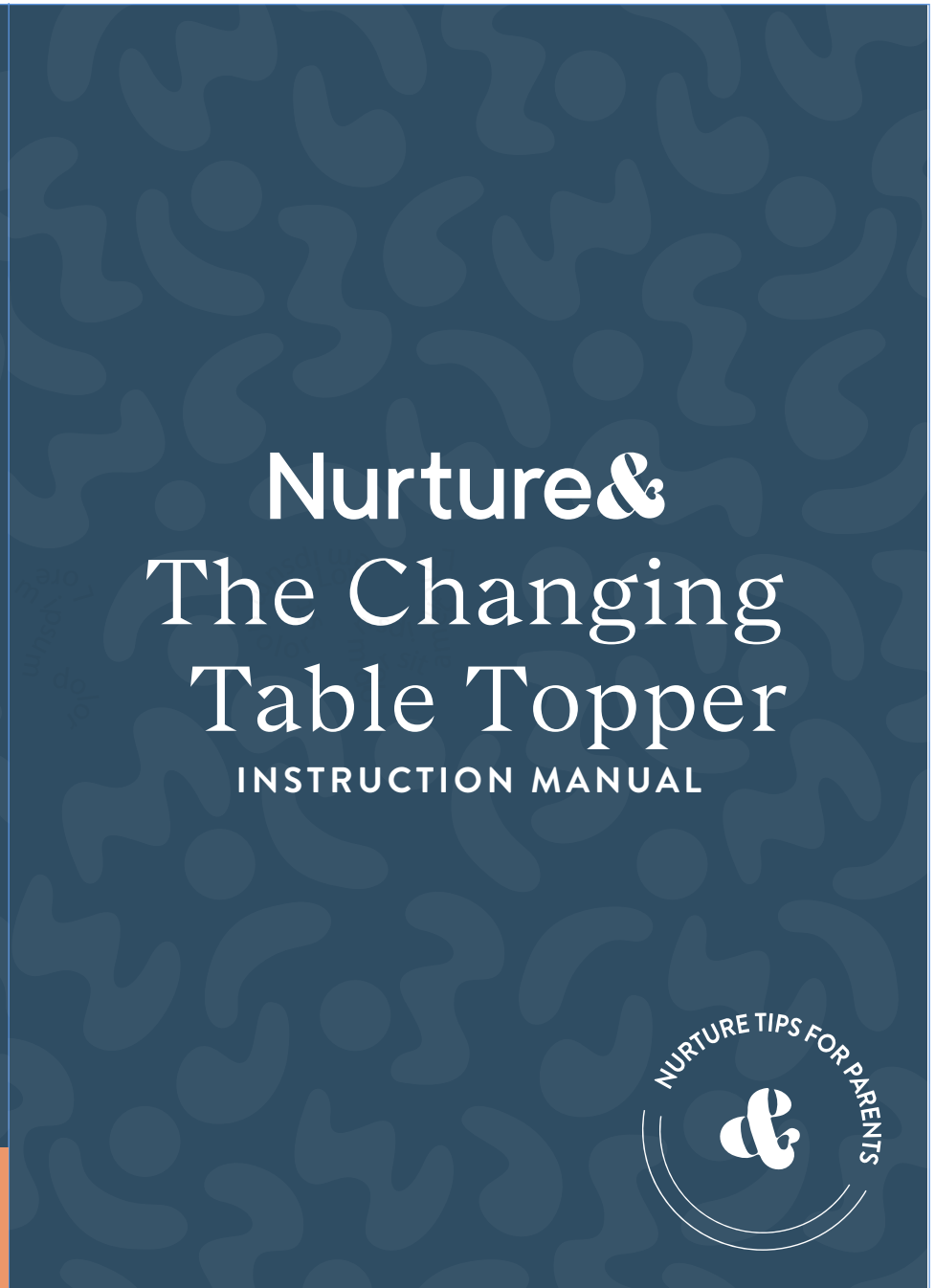




Questions? Give us a shout at [info@nurtureand.com](mailto:info@nurtureand.com)

Back



# Nurture&

## The Changing Table Topper

INSTRUCTION MANUAL



Cover

# Hi. Hello!

Congratulations on your Nurture& purchase - we are so excited for you to join the #madeforsharedmoments community, and enjoy The Changing Table Topper with your growing family.

## PART LIST

NO.	PARTS DESC		Q'TY
A	Changing Table Top		1

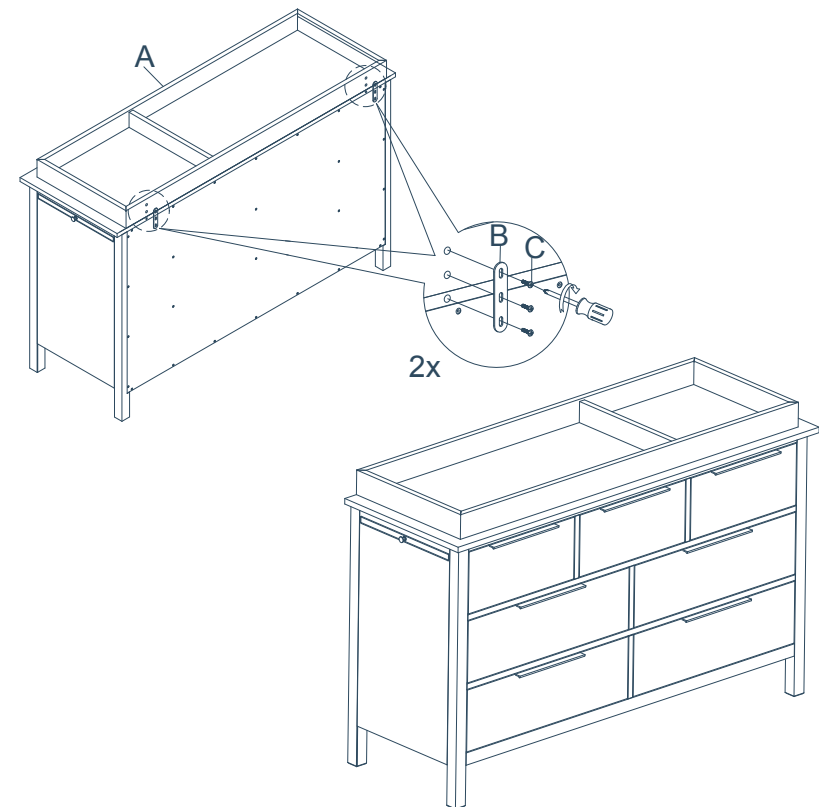
## HARDWARE LIST

NO.	PARTS DESC		Q'TY
B	Metal Plate 86*19*2		2
C	Allen Bolt 5/32*10mm		6

- We recommend that you assemble this product with the assistance of another person; this will make assembly easier, and will help to eliminate damage to the product or injury during assembly.
- Be sure to check all packing materials carefully for small parts that may have come loose inside the carton during shipment.
- Please do not over tighten screws or bolts.
- Please put all parts on a non-abrasive floor before assembly, and follow the assembly steps to assemble your newly purchased product correctly and efficiently.

**Caution:** Please read instructions thoroughly before unpacking assembly parts. Sharp, exposed staple tips can cause injury, therefore, for your protection, please remove any exposed staples used in packing.

Step 1: Align the metal plates with The Changing Table Topper and The Dresser.  
Step 2: Use a screwdriver to screw in the Allen bolts into the metal plates.



Questions? Give us a shout at [info@nurtureand.com](mailto:info@nurtureand.com)

Inside