

Nurture&



# THE CRIB

INSTRUCTION MANUAL

# Hi. Hello!



Congratulations on your Nurture& purchase - we are so excited for you to join the #madeforsharedmoments community, and enjoy The Crib with your growing family.

---

- We recommend that you assemble this product with the assistance of another person; this will make assembly easier, and will help to eliminate damage to the product or injury during assembly.
- Be sure to check all packing materials carefully for small parts that may have come loose inside the carton during shipment.
- Please do not over tighten screws or bolts.
- Please put all parts on a non-abrasive floor before assembly, and follow the assembly steps to assemble your newly purchased product correctly and efficiently.

**Caution:** Please read instructions thoroughly before unpacking assembly parts. Sharp, exposed staple tips can cause injury, therefore, for your protection, please remove any exposed staples used in packing.

---

## Important

Check this crib for damaged hardware, loose joints, missing parts or sharp edges before and after assembly and frequently during use.

Do not use crib if any parts are missing or broken. Ask your dealer or contact Nurture& 300 Delaware Street Suite 210A Wilmington DE 19801; email: [info@nurtureand.com](mailto:info@nurtureand.com) for replacement parts and instructional literature if needed.

Do not substitute parts.

Failure to follow these warnings and assembly instructions could result in serious injury or death.

## **WARNING!**

Failure to follow these warnings and assembly instructions could result in serious injury or death.

- Read all instructions before assembling crib.
- Keep instructions for Future use.
- To reduce the risk of sudden infant death syndrome (sids), pediatricians • Recommend healthy infants be placed on their back to sleep, unless otherwise advised by your physician.
- Prevent burns. Keep crib away from open fires and other heat sources.
- Any mattress used in this crib must be at least 27-1/4 in. (69 cm). By 51- 5/8 in. (131 cm), with a thickness not exceeding 6 in. (15 cm). The dimensions of the mattress should be taken from seam to seam.
- Do not use a water mattress with this crib.
- Never use plastic shipping bags or other plastic film as a mattress cover because the cause suffocation.
- If refinishing, use a non-toxic finish specified for children's products.
- Follow warnings on all products in crib.

### **Suffocation hazard:**

- Infants can suffocate in gaps between a mattress that is too small or too thick and crib sides.
- Infants can suffocate on soft bedding. Never add a pillow or comforter.
- Never place additional padding under an infant.

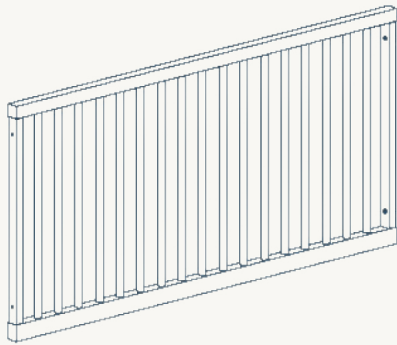
### **Strangulation hazard:**

- Strings can cause strangulation! Do not place items with a string around child's neck, such as hood strings or pacifier cords.
- Do not suspend strings over a crib or attach strings to toys.
- To prevent strangulation, tighten all screws and bolts. A child can trap parts of the body or clothing on loose screws and bolts.
- Do not place crib near a window where cords from blinds or drapes may strangle a child.

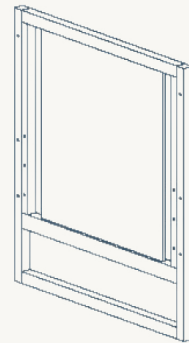
### **Fall hazard:**

- When child is able to pull to a standing position, set mattress to lowest position and remove bumper pads, large toys and other objects that could serve as steps for climbing out.
- When child is able to climb out or reaches the height of 35 in. (89 cm), the crib shall no longer be used.

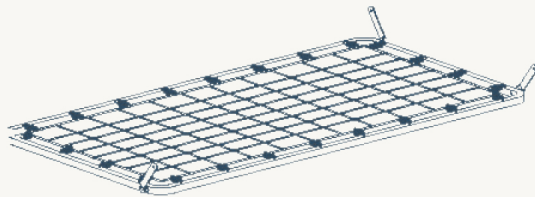
Crib Sides (2)



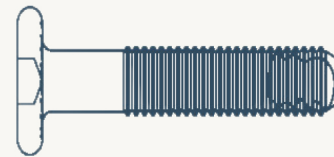
B Crib End (2)



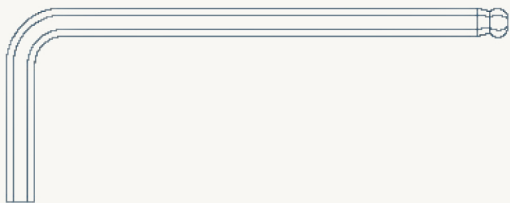
Metal Spring Support Platform (1)



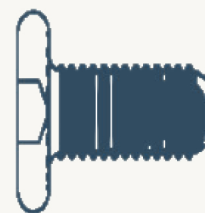
Allen Head Bolt M6\*35mm (8pcs)



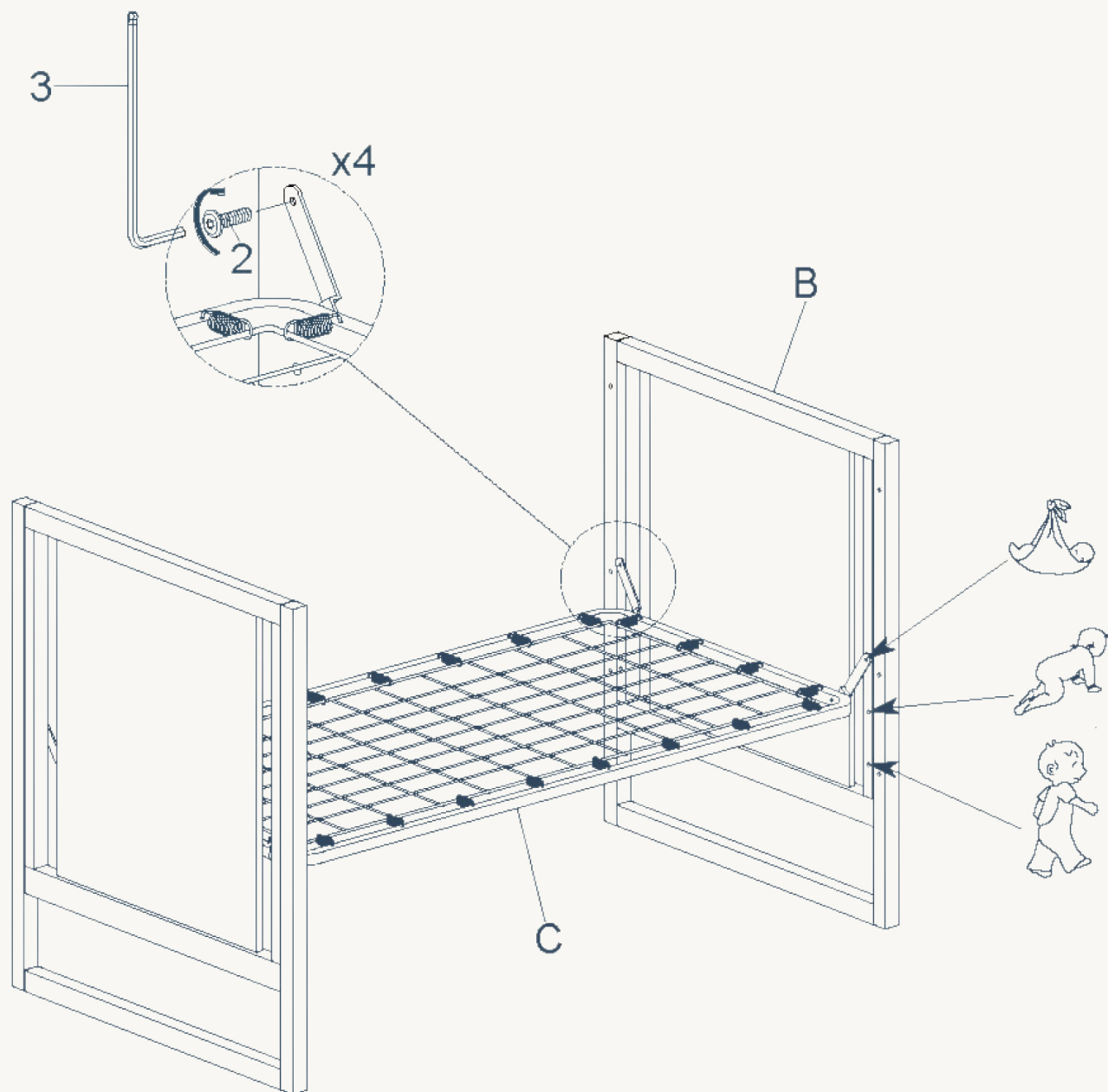
Allen Key (4\*30\*80mm) (1pc)



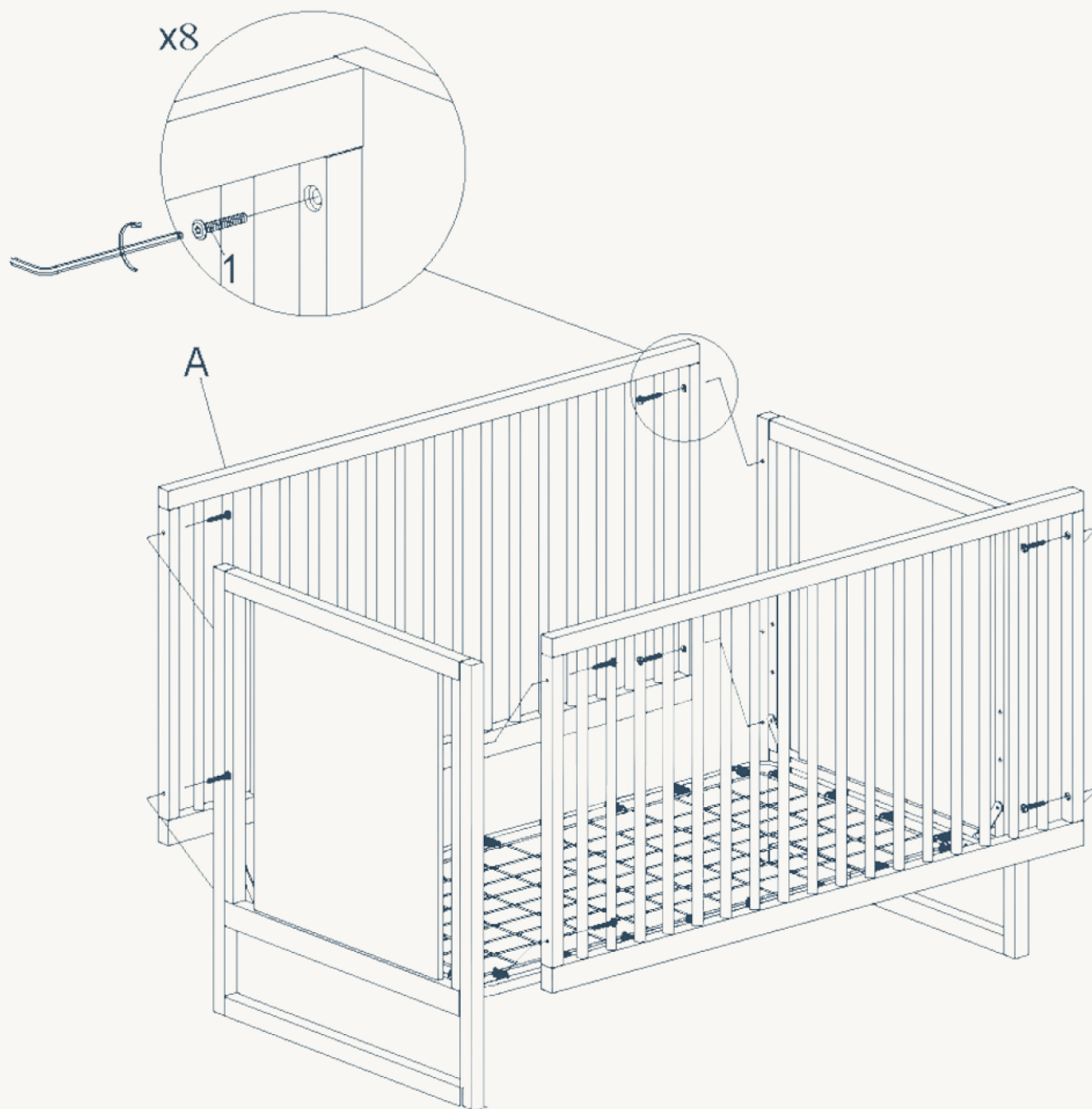
2 Allen Head Bolt M6\*15mm (4pcs)



**Step 1:** Attach the crib ends (Part B 2x) to the metal support spring platform (Part C) with the Allen Head Bolt M6\*15MM (4x). Choose the support platform height based on the age of your baby (highest for newborn, lowest setting for walking baby)



**Step 2:** Attach the crib sides (Part C 2x) to the crib ends (Part B 2x) with the Allen Head Bolt M6\*3SMM (8x).



## CARE AND MAINTENANCE

- After completing assembly, check that all bolts and screws are secure and tight. Hardware can become loose over time, so it is your responsibility to periodically check the tightness of all fasteners for as long as you use the crib.
- Wood is a natural material. As such, it can be affected by changes in temperature and humidity. Extreme changes in humidity and temperature can cause the wood to warp, swell, crack, or shrink, thus compromising the structural integrity of the crib and making it dangerous to use.
- Use caution when placing the crib in storage to avoid extremes in temperature or humidity. Cribs should always be stored indoors in climate controlled, dry locations.
- Use care when using a vaporizer or humidifier around the crib. Do not aim the vapor at the crib or any other wooden furniture in the nursery. Avoid using vaporizers or humidifiers for extended periods of time.
- To clean the crib, wipe with a damp cloth and immediately dry the surface. Do not use any chemical cleaners or polishes. Such products can leave a residue on the finish and come in contact with your child.
- Your crib has a durable and protective non-toxic finish. However, if you decide to refinish it, you must use a non-toxic finish specified for children's products. Do not use any toxic stripping methods to remove the old finish.

QUESTIONS? GIVE US A SHOUT AT  
**INFO@NURTUREAND.COM**

Nurture &