

# A-Vmicro2

## Micro 2ch Hot swap Adaptor



### Instruction Manual

Thank you for purchasing the A-Vmicro2. The A-Vmicro2 is a hot swap adaptor that can accommodate two IDX Imicro batteries. Prior to using the adaptor, IDX recommends reading this instruction manual and keeping it for future reference.

#### ⚠ WARNING

##### May cause sudden serious injury and death

- Do not connect to a power source that exceeds the voltage specification stated on the unit.
- Use only with the compatible batteries listed in this manual.
- Do not carry or store with metal equipment.
- Do not immerse in water.
- Do not attempt to open the outer casing or break apart.
- Do not subject the unit to extreme physical impact or pressure.
- Do not short the contact pins with any metal object.
- Do not attempt to use if damaged.

#### ⚠ CAUTION

##### May cause sudden serious injury and death

- The unit should be used under the conditions listed in this manual.
- Do not expose the unit to extremely high temperatures.
- Keep the unit away from fluid or high humidity environment.
- Stop charging immediately if the charging does not complete within the designated time.
- Remove it from the device and stop using it immediately if an odour, leakage, discoloration or deformation is noticed.
- Do not carry the adaptor while the battery is attached.

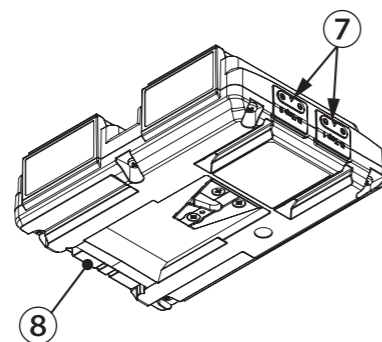
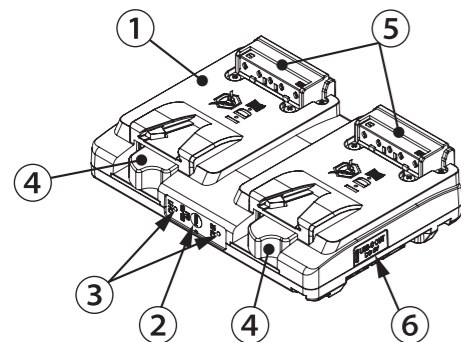
#### Features

- The A-Vmicro2 is a hot swap adaptor that can accommodate two IDX Imicro batteries.
- When two batteries are attached, it discharges in sequence and automatically switches before the first battery is empty.
- Fitted with 2 D-Taps and a USB-C output.
- Capable of fitting to IDX chargers.

#### Specifications

- Recommended batteries : IDX Imicro batteries
- Battery connection terminal rating : max154W ( 16.8V/9.2A~11V/14A )
- Main connector rating : max154W ( 16.8V/9.2A~11V/14A )
- Charging temperature : 0~40°C/32~104°F (recommended 10~30°C/50~86°F)
- Discharging temperature : -20°C~45°C/-4~113°F (recommended 10~40°C/50~104°F)
- D-Tap output : DC Unregulated MAX 80W
- USB-C output : DC 5V 2.3A
- Dimensions : approx. 98( W ) × 141 ( H ) × 30 ( D ) mm  
approx. 3.85 ( W ) × 5.55 ( H ) × 1.18 ( D ) inches  
\* Warning. Do not use these dimensions for reference.
- Weight : body approx. 280g / 0.62 lbs

#### Location and Function of Parts

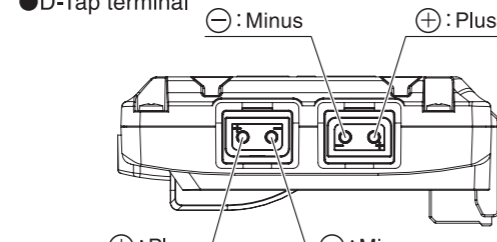
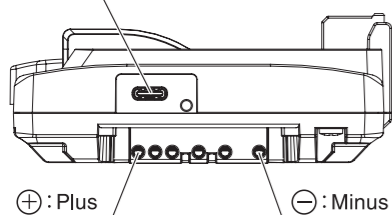


- 1 Adaptor body
- 2 Switching button
- 3 Status LED
- 4 Battery release lever
- 5 Battery charge terminal
- 6 USB-C
- 7 D-Tap ×2
- 8 Main connector terminal

#### Output terminal

● USB-C terminal

● D-Tap terminal



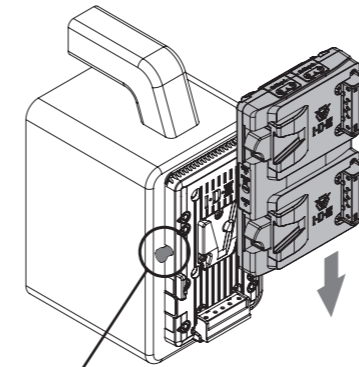
● Main connector terminal

\*When connecting devices that use D-Tap, be sure to check the D-Tap terminal and connect the positives and minuses of the equipment correctly.

### Operating Instructions

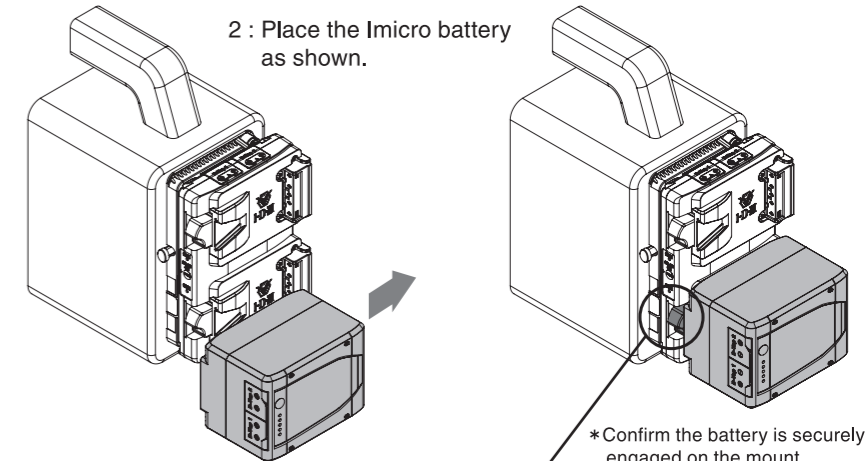
#### ① Connecting method

1 : Place the adaptor as shown.



\* Confirm the battery is securely engaged on the mount.

2 : Place the Imicro battery as shown.

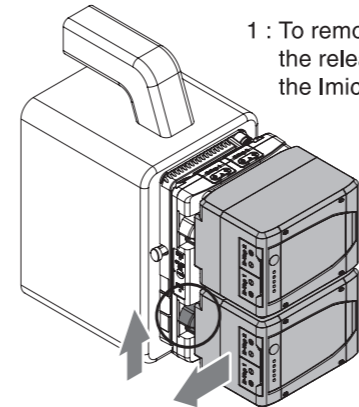


\* Confirm the battery is securely engaged on the mount.

- Discharging when it is on the recording devices.
- Charging when it is on the IDX chargers. \*When 2 batteries are attached, they will be charged sequentially.

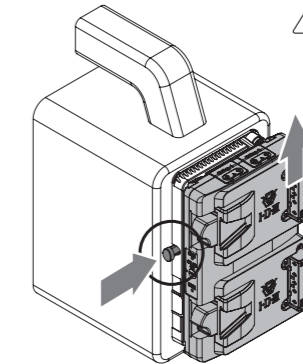
#### ② Disconnecting method

1 : To remove the battery, slide the release lever up and pull the Imicro battery sideways.



● The adaptor with 2 Imicro batteries.

⚠ Remove the batteries after use to stop discharge and the risk of over discharge protection being activated.



2 : Prior to removing the adaptor and transporting, dismount the batteries. Push the release lever and move the adaptor vertically upwards.

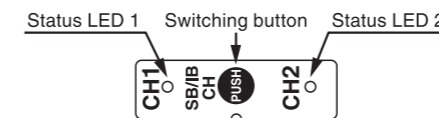
⚠ Removing the discharging battery could result in system shutdown.

#### ③ Status LED Indicator and Switching button

- Discharging  
LEDs display the current capacity level.  
Select the battery using the switching button.

LED Indication

Indication	Status
Solid Amber / Green	Over14V or Over 30%
Solid Red	Below 14V or Below 30%
Flashing Red	Below 13V or Below 20%
Light Off	Below 12V or Below 5% or standby



● Charging

- ① LEDs turn red when the batteries start charging.
- ② When charging is complete, status LED will turn solid green.

LED Display during charging

Indication	Status
Solid Red	● Charging
Solid Green	● Fully charged

\* Only charge with IDX charger.

\* Unable to switch between batteries while charging, remove the battery and select the battery needs charging.

#### ④ Communication setting

- The SB/IB communication function can be selected by pressing and holding the switching button. Battery information such as remaining capacity can be read by selecting the SB/IB modes.  
Avoid using SB mode with equipment not compatible with SMBus protocol. Sudden power failure may occur due to communication failure.  
The adaptor default setting is the SB mode.
- Two configurable modes
  - IB mode: the adaptor communicates with equipment using IDX's BMS compliant protocol.
  - SB mode: The adaptor can communicate with SMBus compliant equipment.

● Switching from IB mode to SB mode

- ① Press and hold the switching button for more than 4 seconds.
- ② Capacity indicators: The two LEDs on CH1 and CH2 light up for 2 seconds.
- ③ While the CH1 and CH2 LED are lit, release and press the switching button again.  
\* Able to switch modes while the two LEDs, CH1 and CH2 are lit.

LED indication colour	SB mode	IB mode
Amber	○	●
Green	○	●

● Mode switching is only possible with charged batteries attached to the adaptor.

Manufacturer : IDX Company ,Ltd. 6-28-11 Shukugawara, Tama-ku, Kawasaki-shi, Kanagawa-ken, 214-0021 Japan  
Tel : +81-44-850-8801 Fax : +81-44-850-8838 URL : https://www.idx.tv/ E-mail : idx.japan@idx.tv  
Importer for EU : IDX Technology Europe Ltd. Unit 9, Langley Park, Waterside Drive, Langley, Berkshire SL3 6AD, England  
Tel : +44-1753-547692 Fax : +44-1753-546660 URL : http://www.idx-europe.co.uk/ E-mail : idx.europe@idx.tv  
Importer for USA : IDX System Technology, Inc. 2377 Crenshaw Blvd, Suite 160, Torrance CA 90501 USA  
Tel : +1-310-328-2850 Fax : +1-310-328-8202 URL : http://www.idxtek.com/ E-mail : idx.usa@idx.tv

Design and specifications are subject to change without notice.