

Register today

Get Free **24 Months** Warranty

Scan Now



OR VISIT

www.4urpc.com/warranty

Web: www.4urpc.com

Email: support@4urpc.com

Whatsapp: (205)-660-0741

User Manual

USB C 4K Triple Display Laptop Docking Station

Model: DS-C02

Register and free extend to 24-month warranty: www.4urpc.com/warranty

Thanks your for purchasing our USB C Triple Displays Docking Station DS-C02!

To use this docking station, the host USB C port of your device must support USB C Alt DisplayPort and Power Delivery. Our DS-C02 supports MST(Multiple Stream Transport) for both USB C Windows and macOS. It is easy to expand your one USB C port to 14 ports with two HDMI ports, DP port, 3*USB 3.0, USB C data port, 2*USB 2.0, RJ45 Ethernet, SD and MicroSD card slot, audio in and audio output port.

For any help needed, please feel free to reach out us with your Order ID.

✉ **Get Support: support@4urpc.com**



Specifications

Product Model	DS-C02
	HDMI 1 x 1 HDMI 2 x 1 DisplayPort x 1 USB-A 3.0 x 3 USB-A 2.0 x 2 USB-C 3.0 Data Transfer x 1 USB-C to Host x 1 RJ45 Ethernet x 1 SD slot x 1 Micro SD slot x 1 3.5mm Audio x 1 3.5mm Mic x 1 DC Port(Power Input) x 1
USB-C Host	USB 3.1 Type-C connect to Host USB C laptop
HDMI 1	Up to 4K@30Hz
HDMI 2	DisplayLink Driver-based, up to 4K@60Hz
DisplayPort	DisplayLink Driver-based, up to 4K@60Hz
USB-A 3.0	Up to 5Gbps/s data transfer
USB-A 2.0	Special design for Bluetooth/wireless receiver
USB-C Data Port	Up to 5Gbps/s data transfer
RJ45 Ethernet	10/100/1000Mbps
SD/Micro SD Slot	Up to 104Mb/s read/write speed, can't be used simultaneously
Mic/Audio	Support a microphone and 3.5mm audio output devices
DC Port	65W, 20V/3.25A, offer safety charge for connected laptop and dock

Package Contents

- USB C Docking Station
- USB-C to USB-C Cable
- Power Supply
- User Manual
- AC to DC Cable

How to Use

1. Please download and install the driver before use

Download driver from:

<https://www.displaylink.com/downloads>

Downloads

Home | Downloads

Supported Operating Systems

INDIVIDUAL INSTALLERS



Windows



macOS



Android



Chrome OS

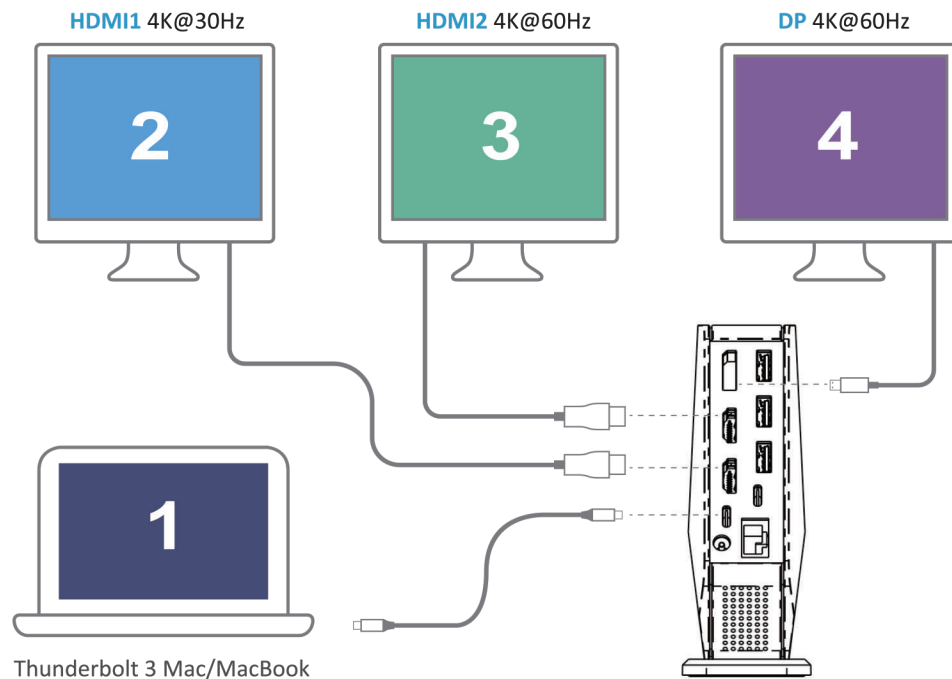


Ubuntu

2. Set the Extend Mode and Mirror mode

Extend Mode:

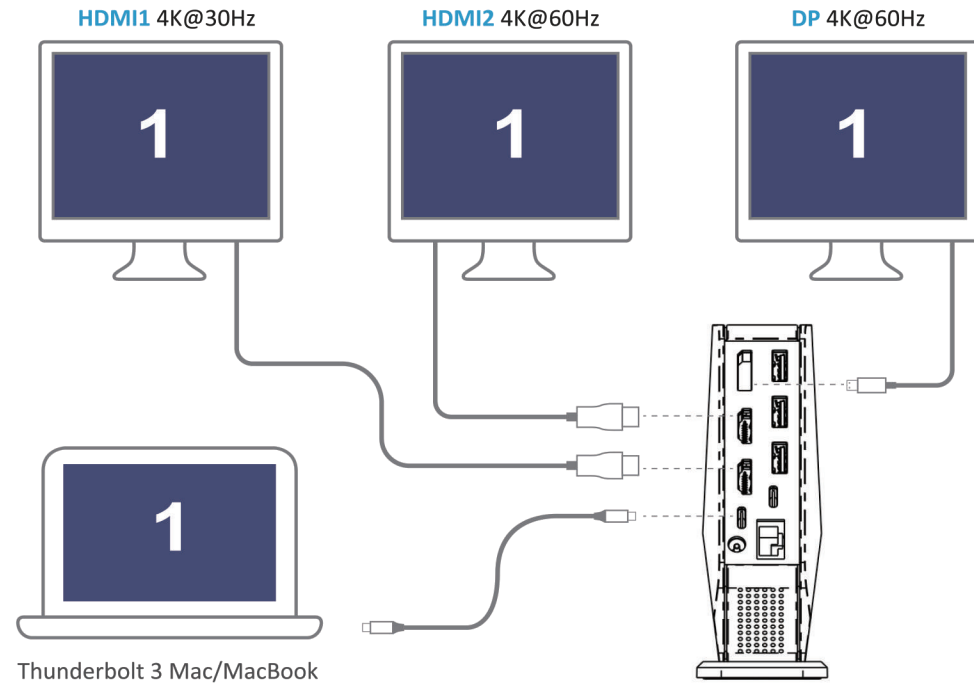
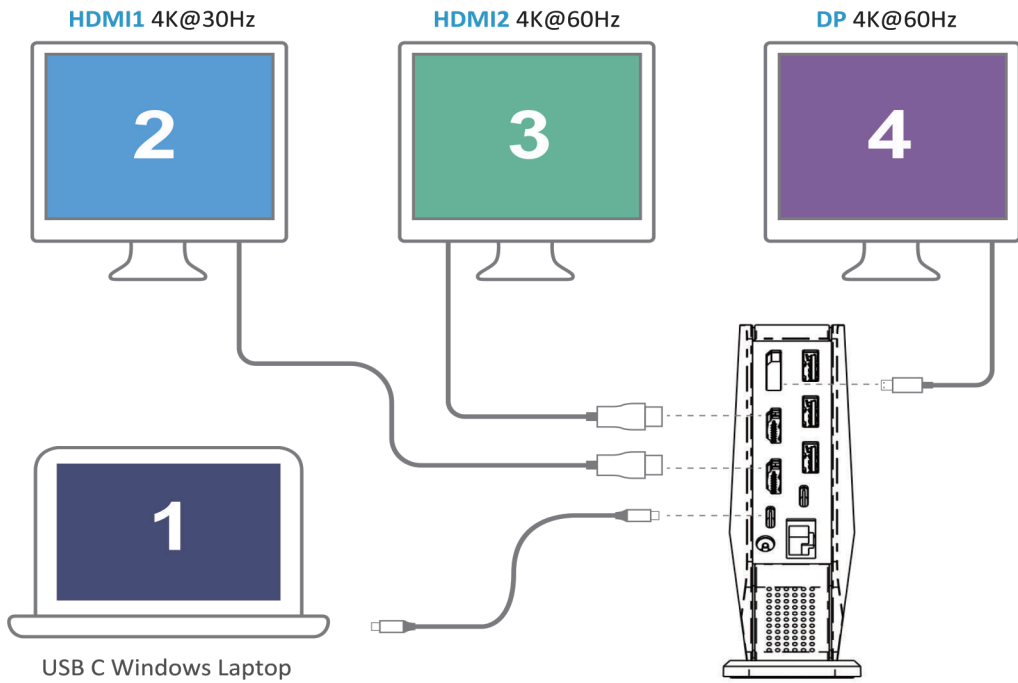
macOS: Navigate to Apple Menu->About This Mac->Display->Arrangement->Click Cancel Mirror Displays



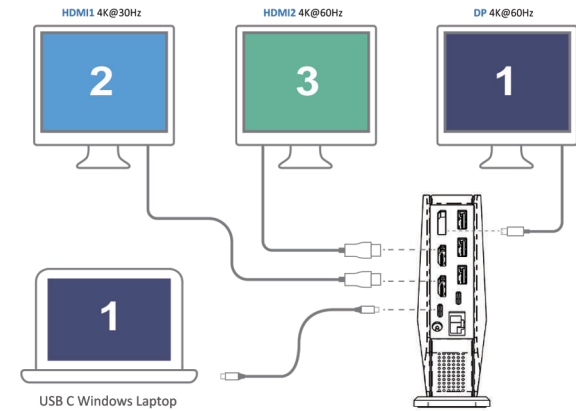
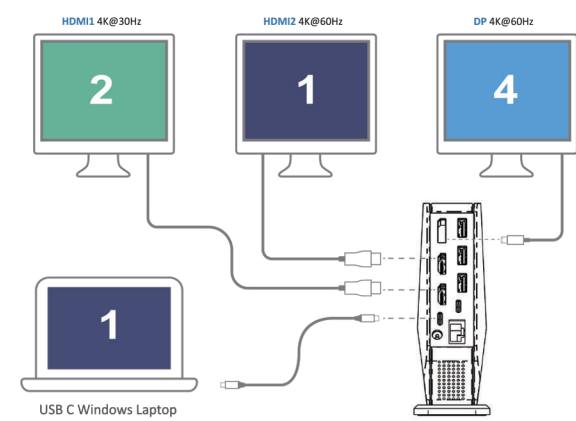
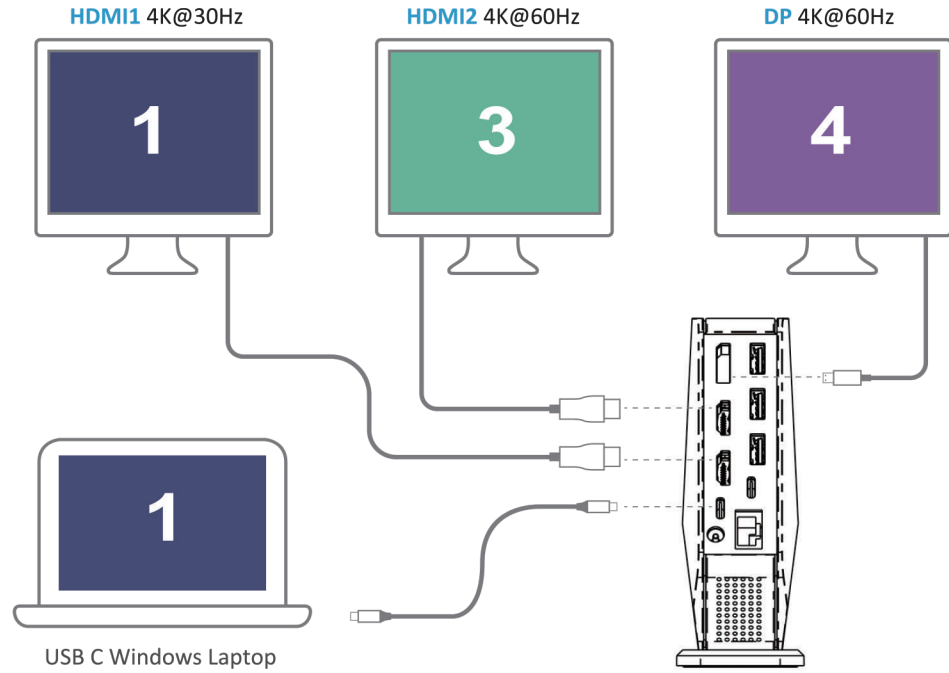
Thunderbolt 3 Mac/MacBook

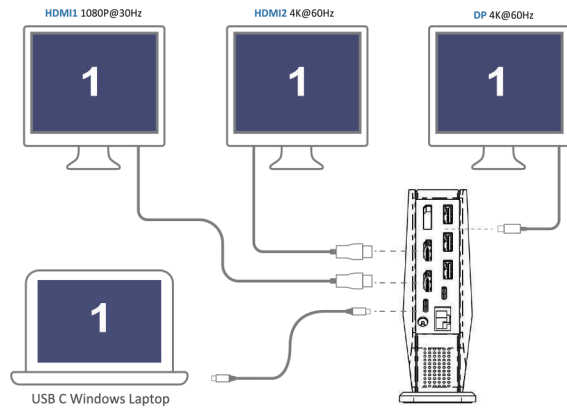
Windows: Please click Intel Graphics Setting for multiple displays setting or hot key: Window + P

Mirror Mode:
macOS: Navigate to Apple Menu->About This Mac->Display->Arrangement->Check Mirror Displays



Windows: Windows laptop does not support three external monitors to mirror the laptop screen at the same time





Compatible Devices : (Supporting Alt Mode DisplayPort and Power Delivery)

Including but not limited:

Apple: MacBook Pro 2016/2017/2018/2019/2020/2021, MacBook Air 2018/2019/2020/2021, Mac Mini 2018/2019/2020

Acer: E5-575G

Asus: Q325UA, ZenBook Flip S, ZenBook 3 UX390UA, ZenBook 3 UX490UA

Dell: XPS 12 9250, XPS 13 9350/9360/9370, XPS 15 9550/9560, Precision 5510/5520/7510, Inspiron 7378/7389/7569, Latitude 5285/5580/E7370/E7480

Lenovo: Yoga 720, Yoga 920, IdeaPad 720S, Mix 720, T470/480/490/570, ThinkPad X1, X270

Razer: Blade(Late 2016), Blaze Stealth(2015), Rader Blade Stealth(2017)

HP: Spectre x360 13, ChromeBook 13 G1, EliteBook x360 G2

Samsung: ChromeBook Plus, Galaxy TabPro S

Huawei: MateBook X Pro

Microsoft: Surface Pro 7/Surface Pro8

Partially Compatible Devices: (Supporting Alt Mode DisplayPort but not Power Delivery)

Asus: ZenBook UX430UA, ZenBook Pro UX501VW

Dell: Dell Alienware 13 R3, Alienware 15 R3, G7 15 Gaming 7588, Latitude 5480, Precision 7520/7720

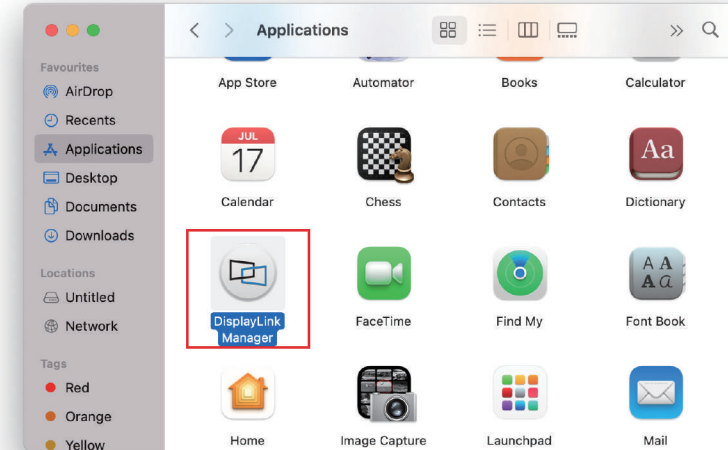
MSI: Ghost Pro-002, MSI GT62 Dominator Pro

Huawei: MateBook X

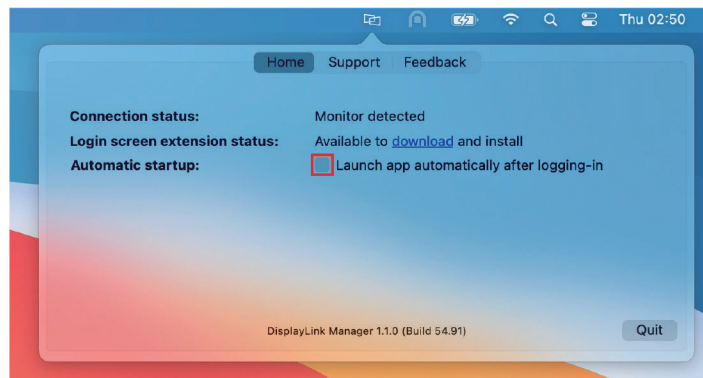
How to Use the new DisplayLink Manager App

We recommend proceeding with following steps to install and use the new DisplayLink Manage App. They are to be followed once after installing the app.

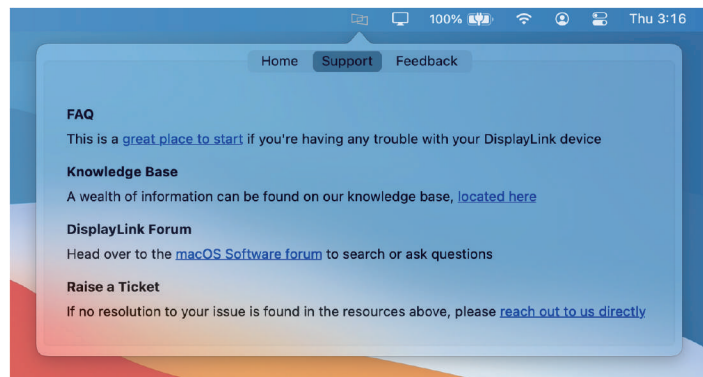
- 1.1. First, uninstall the classic DisplayLink driver if you have it on your computer.
- 1.2. Download the DisplayLink Manager App and install it from the ZIP file.
- 1.3. Navigate in Finder to Applications and then open DisplayLink Manager App.



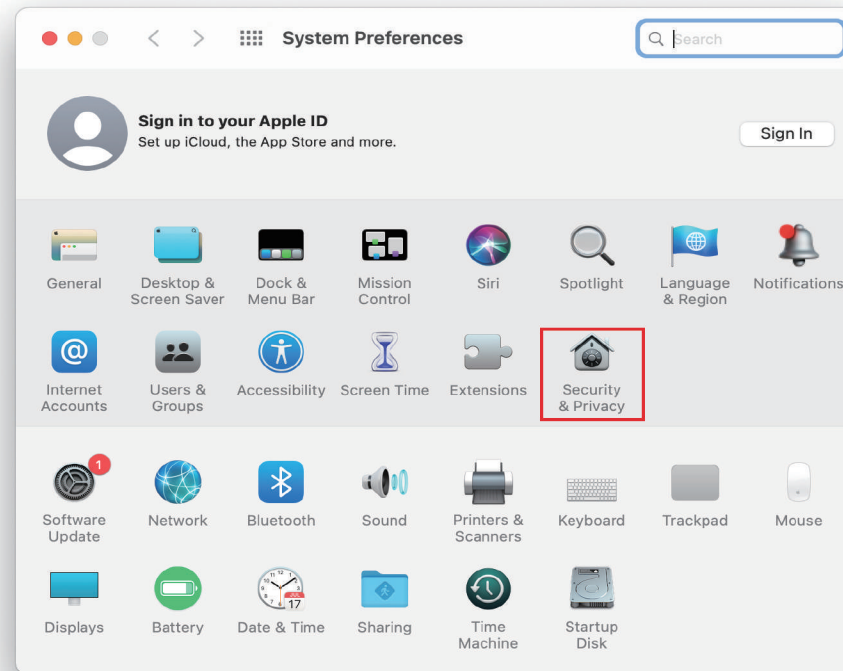
1.4 Click on the DisplayLink Manager app icon from the notification area to open the app window, select “Launch automatically after logging-in” for the software to start automatically every time you log-in.



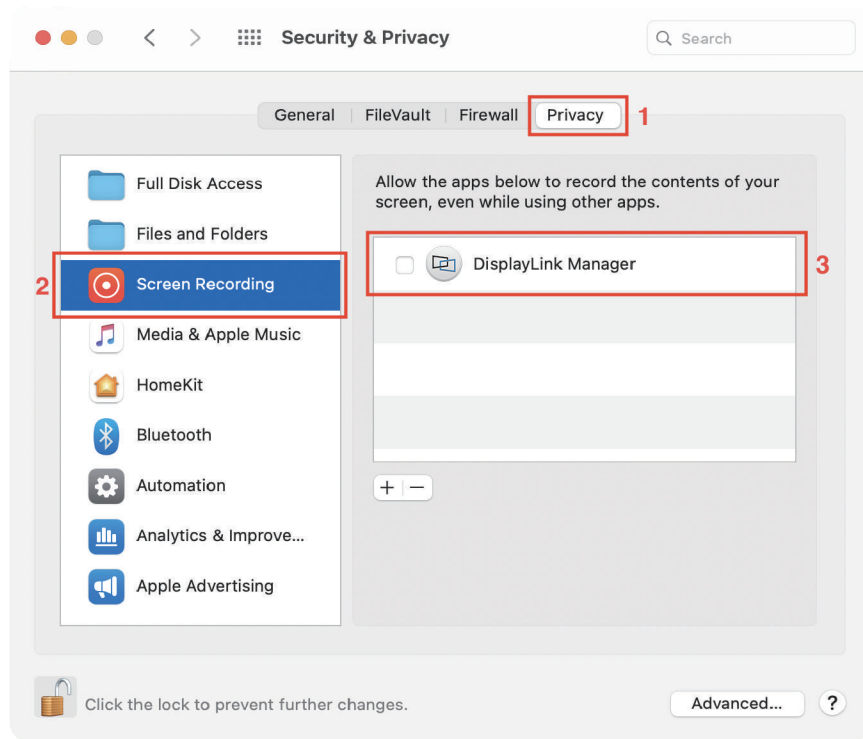
1.5 Also you can go to the support page and check more details about the DisplayLink Manage App



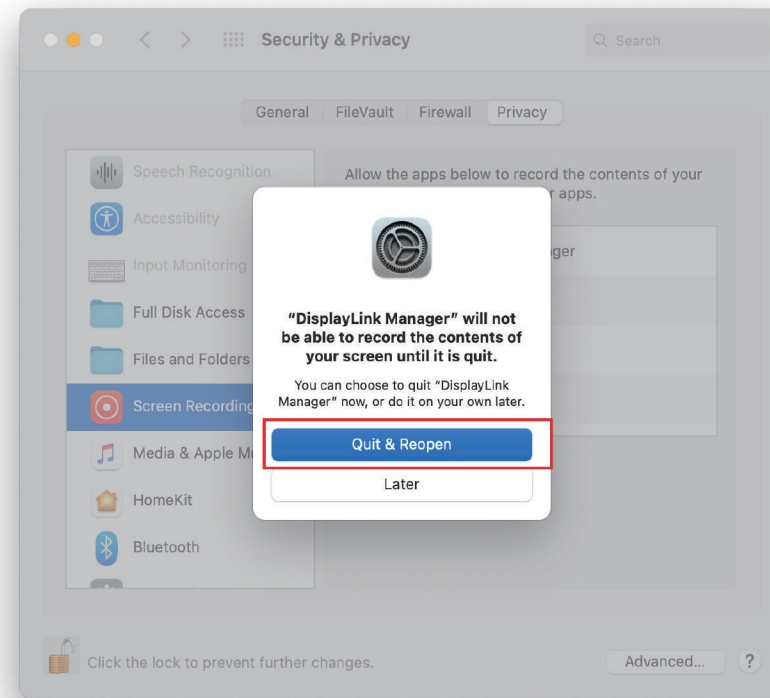
1.6 Now connect the peripheral with DisplayLink technology and navigate to your System Preferences to open Security & Privacy



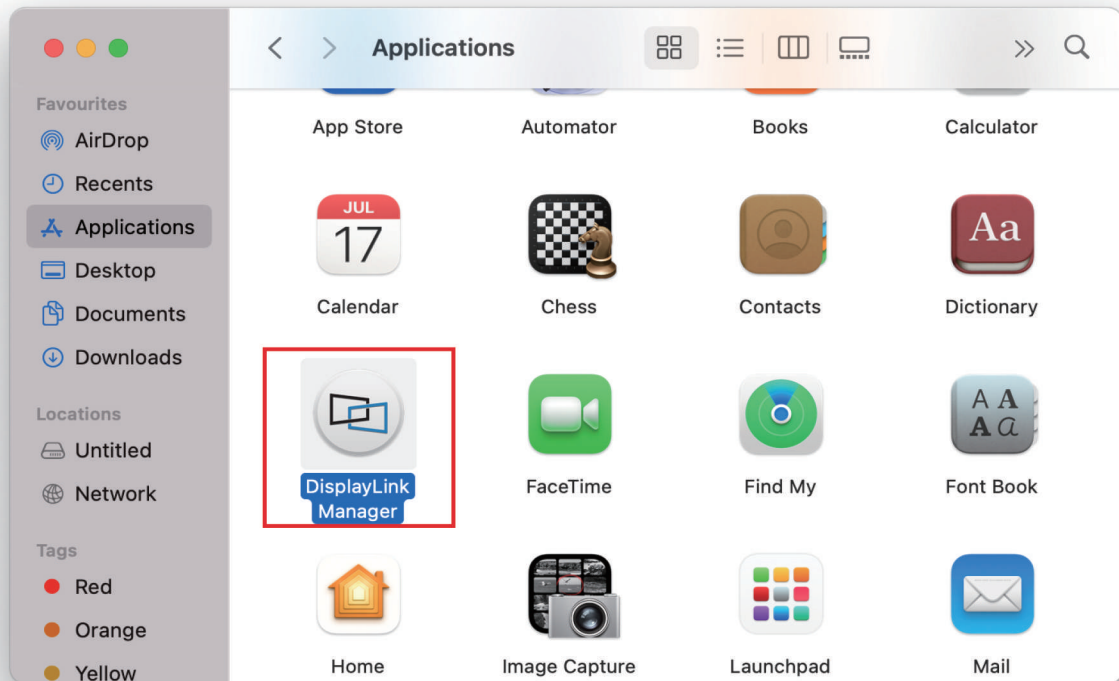
1.7. Enable "Screen Recording" to allow the DisplayLink Manager app to capture pixels and send them to your USB C peripheral: Please select "Privacy" tab -> Navigate to "Screen Recording" in the list on the left -> Then tick the "Screen Recording" permission for DisplayLink Manager. NOTE: The DisplayLink Manager does not store or record any screen content.



1.8 Because the new permission will only be active the next time you start the application, macOS will invite you to "Quit & Reopen". In Catalina 10.15.x please select "Quit Now". Please accept.



1.9 Now it has adequate permissions, re-open DisplayLink Manager from Applications in the Finder. On macOS Big Sur application will restart automatically.

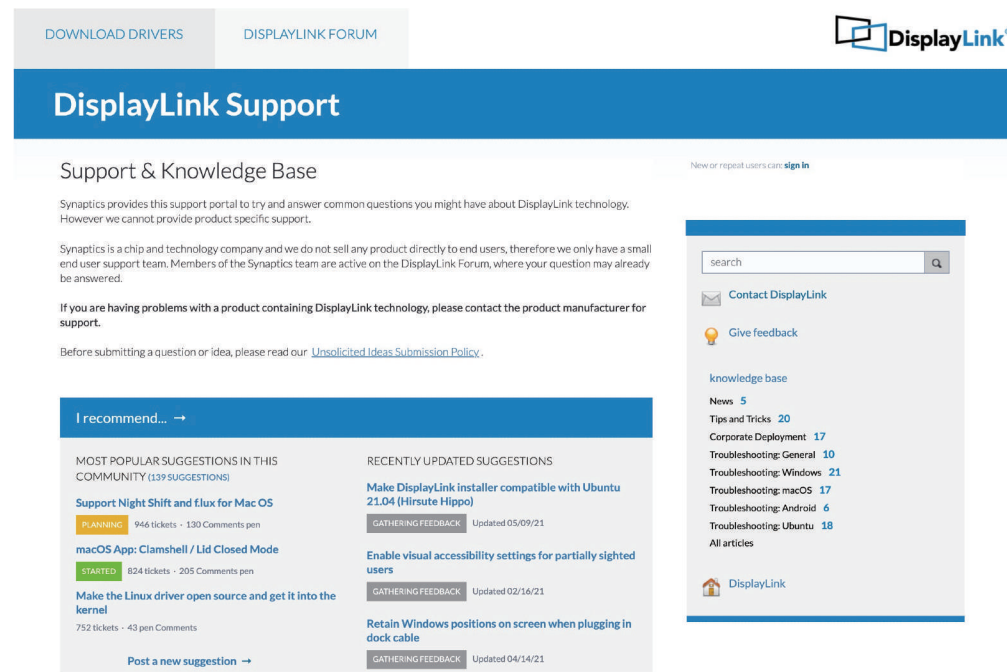


1.10 Your displays are now working properly.

DisplayLink Support

<https://support.displaylink.com/>

The Synaptics provides this support portal to try and answer common questions you might have about DisplayLink technology. If you still need help, please don't hesitate to let me know via support@4urpc.com





Register today

Get Free **24 Months** Warranty

Scan Now



OR VISIT

www.4urpc.com/warranty

Please NOTE:

- 1.The HDMI2 and DP only work if you download and install the DisplayLink driver
- 2.The HDMI1 and HDMI2 can't output audio simultaneously for macOS or Windows
- 3.The HDMI2 output audio when you also select 3.5mm audio output, it can't output audio individually
- 4.For the better performance, the 2.4Ghz wireless devices such as wireless keyboard/mouse receivers, Bluetooth and WIFI adapter are recommended to connect via the USB 2.0 ports