

how to measure | ROMAN SHADES

1 getting started

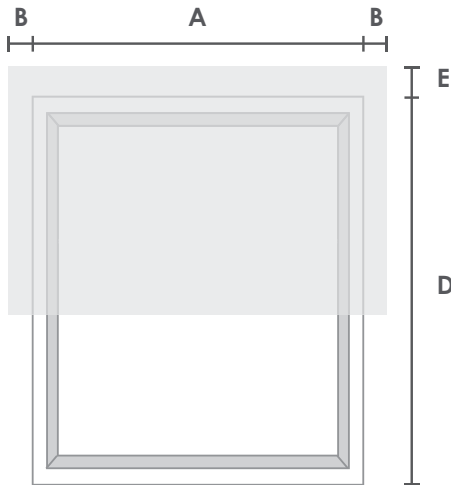
Use a metal tape measure for accurate measurements. Measure each window separately even if they appear to be the same size, recording to the nearest 1/4".

2 choose your mount type

Determine if you would like to do an Outside or Inside Mount shade. Both are mounted with a 1 1/2" or 2 1/2" deep header depending on the window width. If you need help deciding, please send a photo of your windows to hello@loomdecor.com.

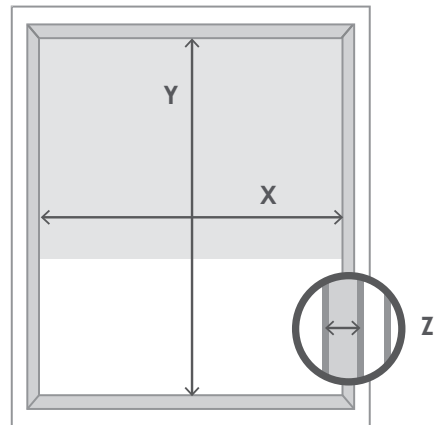
OUTSIDE MOUNT

Mounted to the wall above the window frame. Minimizes light seepage for blackout lining, helps windows appear larger, and hides uneven frames. We recommend mounting 3"-5" above the window frame.



INSIDE MOUNT

Mounted directly up into the window encasement for a seamless look. Need at least 3/4" of depth to mount the shade. 1 1/2" is required for shade to sit flush within the window encasement.



3 measure & calculate size

OUTSIDE WIDTH

- A** Width of Window including Molding _____ INCHES
- B** Additional Width Beyond Molding (0" to align with the frame, 2" per side for blackout lining) + _____
- C** Total Width Coverage (A + B) = _____

OUTSIDE LENGTH

- D** Length of Window incl. Molding _____ INCHES
- E** Additional Height Above Molding (must be at least 2" for installation brackets, we recommend mounting 3"-5" above the window frame) + _____
- F** Total Length (D + E) = _____

INSIDE WIDTH

- X** Width of Inside Frame _____ INCHES
(enter the smallest of the 3 measurements)
Please note, we do not take any deductions on our end. We recommend taking a 1/4" deduction to ensure the shade will fit and operate seamlessly within the window encasement.

INSIDE LENGTH

- Y** Length of Inside Frame _____ INCHES
(enter largest of 3 measurements)

INSIDE DEPTH

- Z** Depth of the Window Frame _____ INCHES
(at least 3/4" depth required, 1 1/2" to sit flush with front of frame)

4 *order your size*

Outside Mount: Enter the Shade Width (C) & Shade Length (F) during the ordering process.

Inside Mount: Enter the Shade Width (X) & Shade Length (Y) during the ordering process. Please note: Be sure the depth of your window will accommodate an Inside Mount shade (see measurement Z above).

Please note, we do not take any deductions on our end for the width of the Inside Mount shade. We recommend taking a 1/4" deduction to ensure the shade will fit and operate seamlessly within the window encasement.

ROMAN SHADES SIZE LIMITATIONS

Minimum Width	12"
Maximum Width	108"
Headrail Depth 12" – 60" in width	1.5" Headrail
Headrail Depth 60" – 108" in width	2.5" Headrail
Depth Needed to Install	3/4"
Depth Needed to Install for Flush Look	1.5" - 2.5"

NEED ADDITIONAL HELP ORDERING THE CORRECT SIZE?

If you need help with measurements, we are here to help! Please reach out to hello@loomdecor.com with any questions or concerns. Feel free to send us photos of your windows and we will offer our best recommendations.