



ServiceMaster Transformer

ADVANTAGES

True 30mA & 60mA Output

The ServiceMaster can replace 8 ratings.

Diagnostic Circuit

LED Indicates the reason for service, allowing for quick, easy troubleshooting.

Primary Wiring Requirements of a Non-SCGFP

with the added safety of Secondary Circuit Ground Fault Protection.

Secondary Circuit Ground Fault Protection

Unit is disabled upon detection of arcs to ground in compliance with UL2161, C22.2 No. 255 and NEC requirements.

Service Button overrides the SCGFP for up to 30 minutes or easy troubleshooting of ground faults and primary wiring problems.

Auto Reset three times within ten seconds after secondary ground fault. Manual reset possible at any time.

Easy wiring and mounting

Step Plate eliminates double-nutting. Adapts to most grounding situations. Virtual Ground and Series Wiring Methods.

FRANCE

LIGHTING SOLUTIONS

P5G-2UE



MODELS

15030 P5G-2UE

Secondary Output: 15kV, 30mA
Model Number: 38823

9030 P5G-2UE

Secondary Output: 9kV, 30mA
Model Number: 38824

15060 P5G-2UE

Secondary Output: 15kV, 60mA
Model Number: 68636

9060 P5G-2UE

Secondary Output: 9kV, 60mA
Model Number: 38825

15030 P5G-2UE 277

Secondary Output: 15kV, 30mA
Model Number: 38826

9030 P5G-2UE 277

Secondary Output: 9kV, 30mA
Model Number: 38827

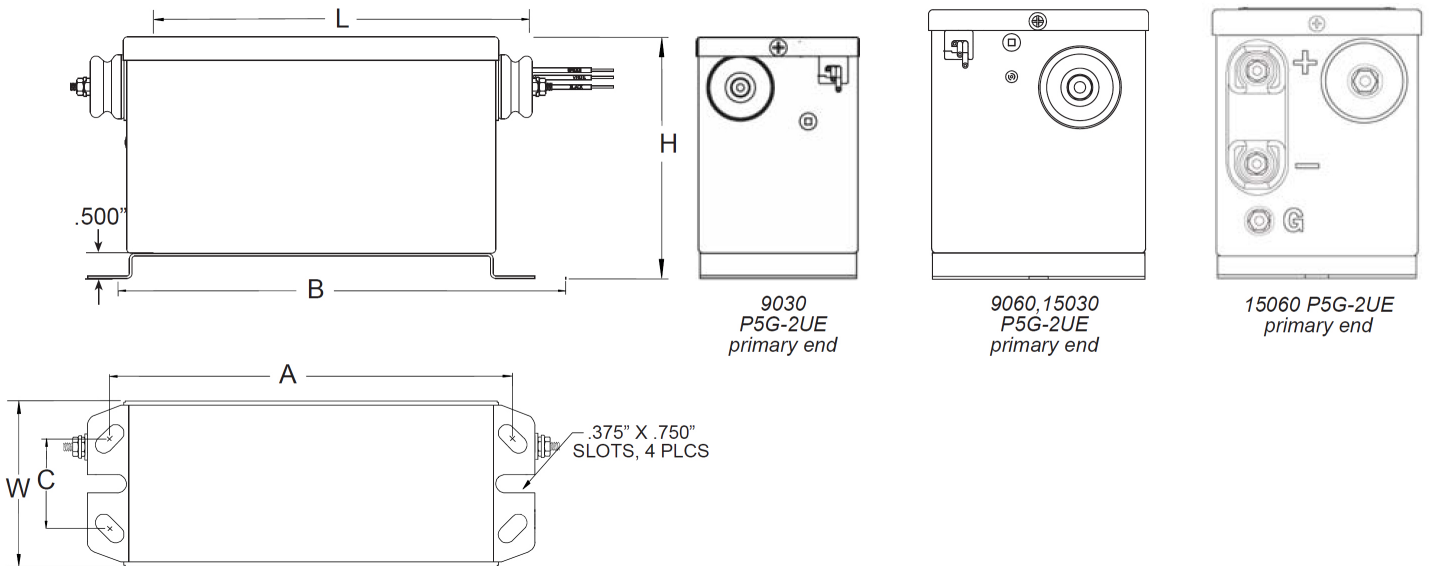
15060 P5G-2UE 277

Secondary Output: 15kV, 60mA
Model Number: 68637

9060 P5G-2UE 277

Secondary Output: 9kV, 60mA
Model Number: 38828

NORMAL POWER FACTOR													
Catalog Number	VAC	Hz	Secondary		Primary VA	Input Amps	Weight (lbs)	Case Dimensions (inches)					
			Volts	mA				L	W	H	A	B	C
15030 P5G-2UE	120	60	15000	30	510	4.25	21	9.20	4.65	5.71	10.13	11.25	3.00
9030 P5G-2UE	120	60	9000	30	330	2.75	13	8.37	3.70	5.39	9.00	10.00	2.00
15060 P5G-2UE	120	60	15000	60	530	1.90	21	9.20	4.65	5.71	10.13	11.25	3.00
9060 P5G-2UE	120	60	9000	60	320	1.15	13	8.37	3.70	5.39	9.00	10.00	2.00
15030 P5G-2UE 277	277	60	15000	30	940	7.80	39	10.87	5.37	6.20	11.88	13.00	3.00
9030 P5G-2UE 277	277	60	9000	30	600	5.00	23	9.20	4.65	5.71	10.13	11.25	3.00
15060 P5G-2UE 277	277	60	15000	60	980	3.60	39	10.87	5.37	6.20	11.88	13.00	3.00
9060 P5G-2UE 277	277	60	9000	60	610	2.20	23	9.20	4.65	5.71	10.13	11.25	3.00



SERVICEMASTER MODEL	MODELS REPLACED
15030 & 15060	1500, 1200, 10500 Volt
9030 & 9060	9000, 75000, 6000, 5000, 4000, 3000, 2000 Volt