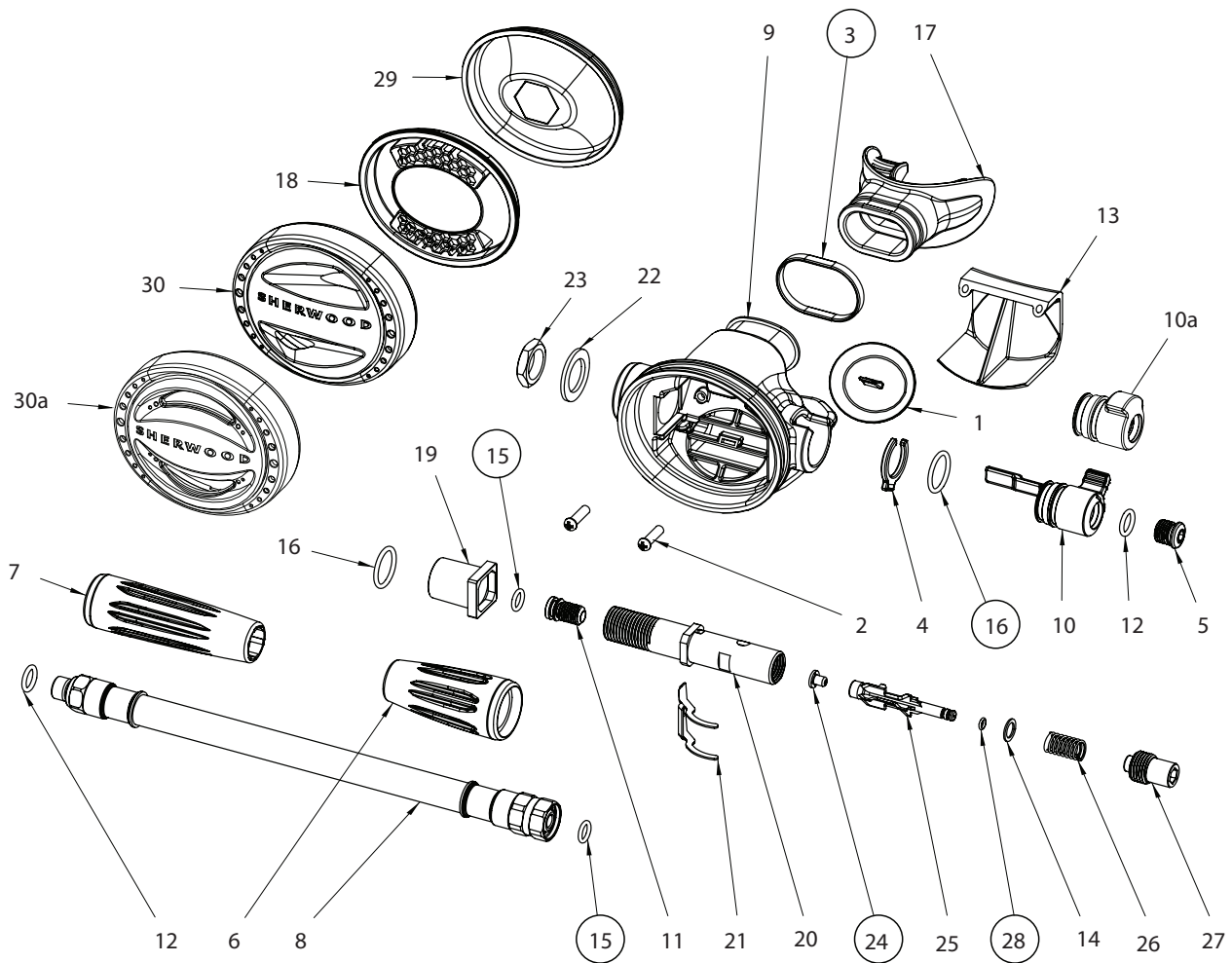


SCHEMATICS

MAGNUM PRO & BRUT PRO SECOND STAGE



No.	Part No.	Description
1	SHV7006	EXHAUST VALVE
2	SHV7027	EXHAUST TEE RETAINING SCREWS
3	SHV7026	TIE WRAP
4	SHV7025	C CLIP
5	SHV7023	LP PORT PLUG
6	SHV7032	HOSE PROTECTOR, SHORT
7	SHV7031	HOSE PROTECTOR, LONG
8	SHV7530	HOSE ASSEMBLY
9	SHV6003	HOUSING WITH VANE
9a	SHV7021	HOUSING (Brut/Octo)
10	SHV6002	VENTURI SWITCH, MAGNUM
10a	SHV7022	ACCESS PLUG, BRUT/OCTO
11	SHV7016	ORIFICE
12	970011	O-RING
13	SHV7024	EXHAUST TEE
14	SHV7751	SPRING BUSHING
15	970010	O-RING
16	970015	O-RING
17	SHV5030	MAGNUM MOUTH PIECE (GREY)
17a	SHV5035	BRUT MOUTH PIECE (BLACK)

No.	Part No.	Description
17b	SHV5034	OCTO MOUTHPIECE (YELLOW)
18	SHV6001	CHROME DIAPHRAGM RETAINER
18a	SHV7012	BRUT/OCTO DIAPHRAGM RETAINER
19	SHV8350	VALVE FLANGE
20	SHV5062	VALVE TUBE
21	SHV5060	DEMAND LEVER
22	SHV8352	RETAINING WASHER
23	SHV8353	RETAINING NUT
24	SHV5065	LP SEAT
25	1200-11	POPPET
26	1200-13	SPRING
27	SHV5061	ADJUSTMENT SCREW
28	970410	O-RING
29	SHV7008	BLACK DIAPHRAGM (Magnum/Octo)
29a	SHV7090	WHITE DIAPHRAGM (Brut)
30	SHV4475	MAGNUM PURGE COVER
30a	SHV7009	BRUT PURGE COVER
30b	SHV7009Y	OCTO PURGE COVER

* Circled parts included in service kit.



WARNING Use only Sherwood Scuba parts! Use of other manufacturer's parts will void all warranties and could result in air delivery failure, causing serious personal injury or death.