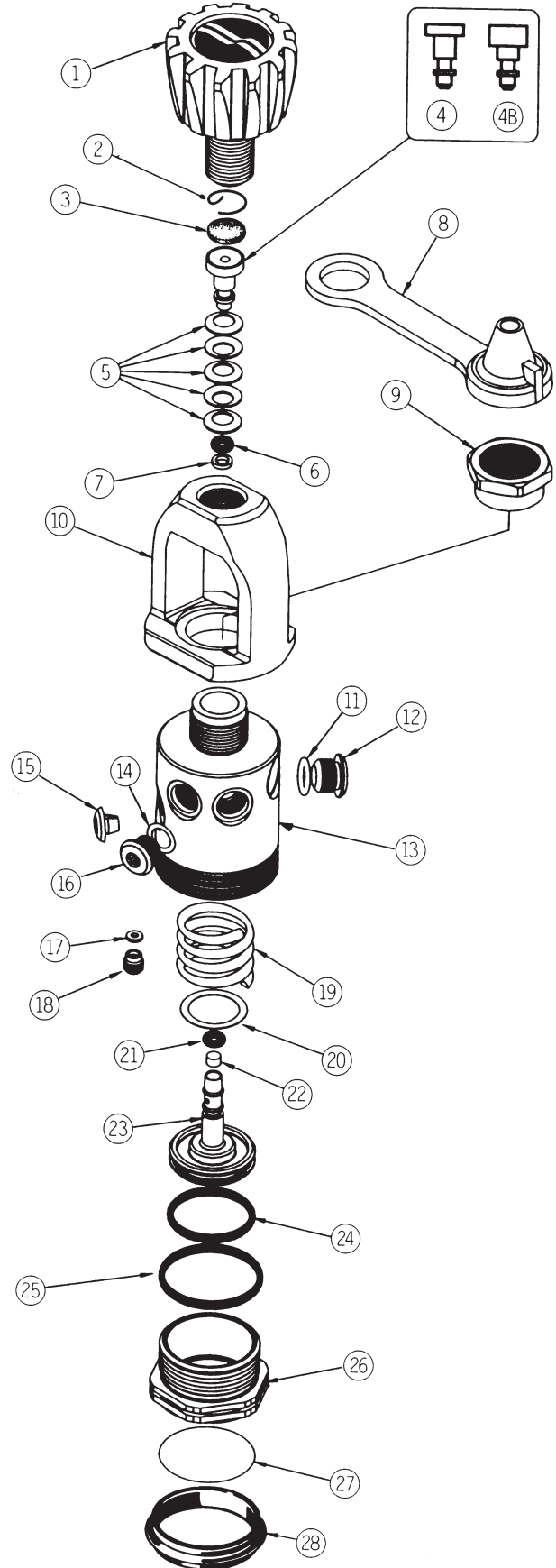


FIRST STAGE - OASIS™ SRB5700, BLIZZARD™ SRB5900, MAGNUM® SRB5300, BRUT™ SRB5100

To determine the first stage of a particular regulator, compare the regulator with the pictures and diagrams in this guide. The model number of the regulator is laser stamped on the first stage between two of the outlet ports. For further information, contact Sherwood at 1(888) 50-SCUBA.

| ITEM # | CATALOG # | DESCRIPTION |
|--------|--------------|--|
| 1 | .5105-70 | Handwheel |
| 2 | .J2790056B | Filter Retaining Ring |
| 3 | .1390-7 | Filter |
| 4 | .29-5305-4 | Oasis, Blizzard & Magnum Moving Orifice (bare, no O-rings) |
| 4B | .43-5105-4 | Brut Removable Orifice (bare, no O-rings) |
| 5 | .19-8010-8 | Belleville Spring Washers (5 needed) |
| 6 | .G007A | O-ring |
| 7 | .MS28774-007 | White Backup Washer |
| 8 | .5705-20 | Dust Cap |
| 9 | .1-1665-17 | Yoke Nut |
| 10 | .2-1665-26 | Yoke (shiny finish, Brut, Magnum) |
| 10 | .69-1665-26 | Yoke (matte finish, Oasis, Blizzard) |
| 11 | .G904A | O-ring (for H. P. port plug) |
| 12 | .1-3405-4 | H. P. Port Plug |
| 13 | .2-5105-1 | Brut Body (shiny, 1 H.P. Port) |
| 13 | .2-5305-1 | Magnum Body (shiny, 2 H.P. Ports) |
| 13 | .69-5705-1 | Oasis/Blizzard Body (matte finish, 2 H.P., 2 PRI) |
| 14 | .G011B | O-ring (for L.P. Port Plugs) |
| 15 | .3106-6 | One Way Bleed Valve |
| 16 | .1-3105-6 | L. P. Port Plug |
| 17 | .5105-6 | Gasket for Flow Control Element |
| 18 | .5105-15 | Flow Assembly |
| 18 | .5105-13 | Flow Restrictor |
| 18 | .5105-14 | Filter |
| 19 | .5105-12 | Main Spring |
| 20 | .5105-7PK | Shim (to raise hose pressure) |
| 21 | .G007A | O-ring (for small end of piston) |
| 22 | .3801-5 | Piston Seat |
| 23 | .25-5105-3 | Piston (bare, no seat or O-rings) |
| 24 | .G022A | O-ring (for large end of piston) |
| 25 | .G025A | O-ring (for cap) |
| 26 | .2-5105-2 | Brut Cap (shiny, no label) |
| 26 | .2-5305-2 | Magnum Cap (shiny, indent for label) |
| 26 | .69-5305-2 | Oasis/Blizzard Cap (matte, indent for label) |
| 27 | .5700-15 | Cap Label (Magnum, Oasis, Blizzard) |
| 28 | .5705-21BK | Trim Ring (Oasis, Blizzard only) |



SECOND STAGE REGULATORS - OASIS™ SRB5700, BLIZZARD™ SRB5900, MAGNUM® SRB5300, B

Sherwood for part numbers.

| ITEM # | CATALOG # | DESCRIPTION |
|--------|----------------|--|
| 1 | .5100-7WH | Label Insert for the Brut |
| 1 | .5300-7WH | Label Insert for the Magnum |
| 1 | .5700-7Y | Label Insert for the Oasis (yellow on gray) |
| 1 | .5700-7BK | Label Insert for the Oasis (black on gray) |
| 1 | .5900-7BL | Label Insert for the Blizzard (blue on gray) |
| 1 | .5900-7BK | Label Insert for the Blizzard (black on gray) |
| 2 | .5700-8 | Grey Cover (for Blizzard & Oasis) |
| 2 | .5100-8 | Black Cover (for Magnum and Brut) |
| 3 | .5100-6 | Retainer Ring |
| 4 | .3108-13 | Diaphragm (blue Tufel *) |
| 5 | J12P04105SB | Screw (silver combination # 10 Torx / slot drive) |
| 5 | .29-5900-J12 | Screw (black Teflon * coated for Blizzard) |
| 6 | .3108-3 | Lever (plain stainless for Brut, Magnum, Oasis) |
| 6 | .29-3108-3 | Lever (black Teflon * coated for Blizzard) |
| 7 | .9-5100-3 | Lever Support (for Blizzard & Oasis, with fin screw holes) |
| 7 | .9-5100-3 | Lever Support (for Magnum & Brut, no screw holes) |
| 8 | .25-5700-21 | Heat Transfer Fin (flat end) (Blizzard & Oasis) |
| 9 | .25-5700-22 | Heat Transfer Fin (dimpled end) (Blizzard & Oasis) |
| 10 | J113481874BACR | Screws for Heat Transfer Fins (Blizzard & Oasis) |
| 11 | .5100-29 | Spring |
| 12 | .5100-1 | Stem (no seat insert installed) |
| 13 | .978-9BN | Seat Insert (for Stem) |
| 14 | .3602-6A | Exhaust Valve |
| 15A | .5700-9 | Exhaust Tee (longer gray one, Blizzard/Oasis style) |
| 15B | .5100-9 | Exhaust Tee (shorter black one, Brut/Magnum style) |
| 16 | .3702-5 | Screw (combination # 10 Torx / slot drive) |
| 17 | .3602-3LS | Mouthpiece (larger Wisdom * style for Blizzard, Oasis & Magnum) |
| 17 | .3602-3 | Mouthpiece (shorter style for Brut) |
| 18 | .3786-9W | Mouthpiece Tie |
| 19 | .5100-5 | Case |
| 20 | .1-5100-4 | Orifice Housing |
| 21 | G010A | O-ring (for Adjustable Orifice) |
| 22 | .41-4006-20A | Adjustable Orifice (no O-ring) |
| 23 | G010A | O-ring (for hose outlet end) |
| 24 | .5016-20-33A | Hose Assembly (33 "-84cm), includes 2 hose protectors (Blizzard & Oasis) |
| 24 | .5016-20-33 | Hose Assembly (33 "-84cm), includes hose protector (Magnum & Brut) |
| 25 | .5100-27 | Hose Protector |
| 26 | G011B | O-ring (hose inlet end) |

