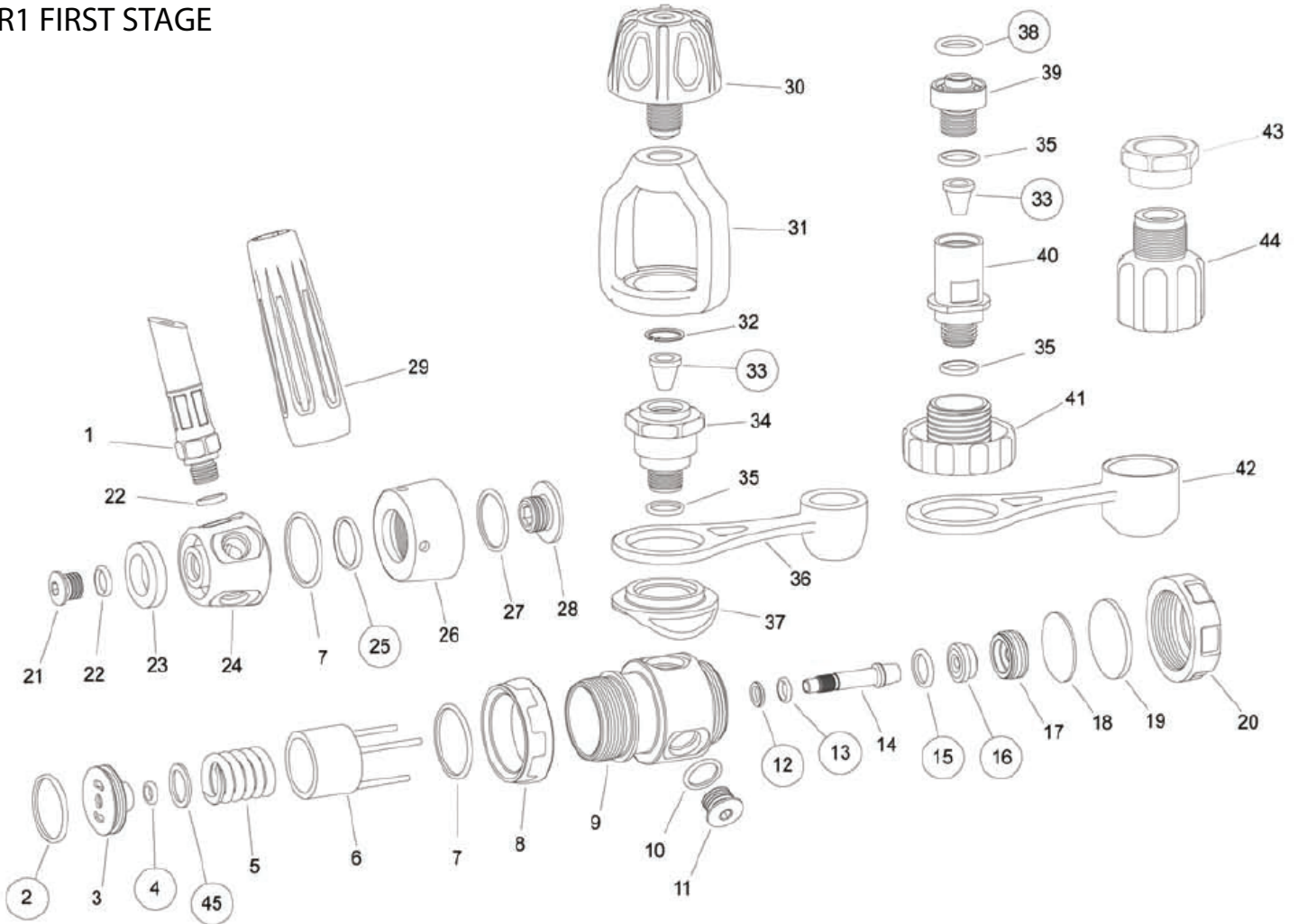


SR1 FIRST STAGE



ITEM	PART #	DESCRIPTION
1	1000-50-31	LP-Hose
2	980020	O-ring
3	1105-3	Piston Flange
4	970008	O-ring
5	1105-5	Spring
6	1105-6	Three-Pin Link
7	972023	O-ring
8	1105-8	Vent Ring
9	1105-9	Body
10	980904	O-ring
11	1105-11	HP Port Plug
12	105009	Backup Ring
13	98009	O-ring
14	1105-14	Piston Stem
15	980013	O-ring
16	1105-16	HP Seat

ITEM	PART #	DESCRIPTION
17	1105-17	Seat Retainer
18	1105-18	Pressure Plate
19	1105-19	Dry Chamber Diaphragm
20	1105-20	Diaphragm Retainer Cap
21	1105-21	LP Port Plug
22	970011	O-ring
23	1105-23	Accent Ring
24	1105-24	Port Swivel
25	972016	O-ring
26	1105-26	End Cap
27	1105-27	Washer
28	1105-28	Swivel Retainer
29	1105-29	Hose Protector
30	1105-30	Yoke Knob

ITEM	PART #	DESCRIPTION
31	1105-31	Yoke
32	1105-32	Clip
33	1105-33	Filter
34	1105-34	Yoke Retainer
35	980905	O-ring
36	1105-36	Inlet Protector, Yoke
37	1105-37	Yoke Saddle
38	980111	O-ring
39	1105-39	Filter Retainer, DIN
40	1105-40	Filter Housing, DIN
41	1105-41	Hand Wheel
42	1105-44	Inlet Protector, DIN
43	1105-42	Nut, DIN Adapter
44	1105-43	DIN Adapter
45	1105-55	Shim