

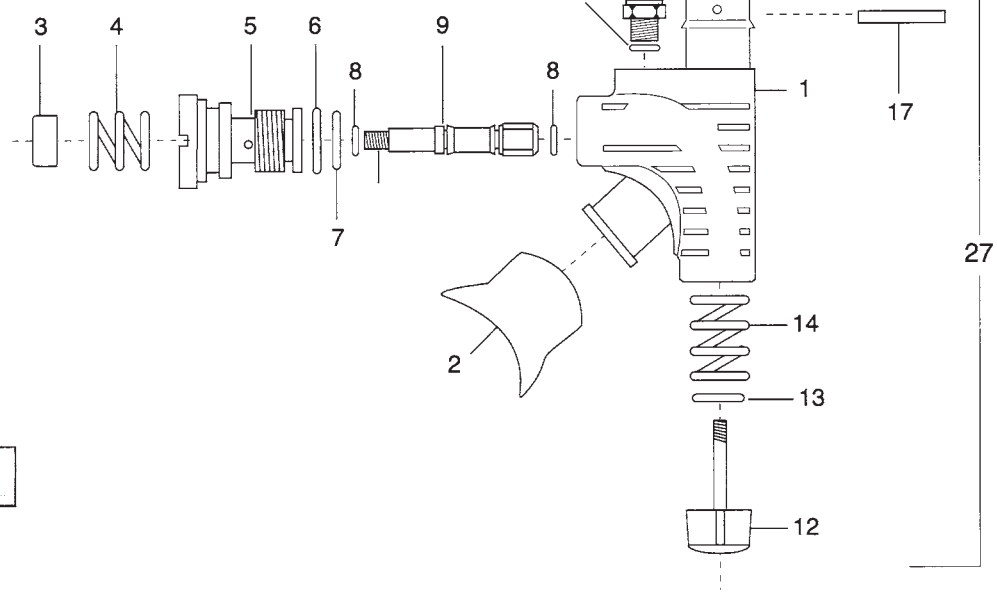
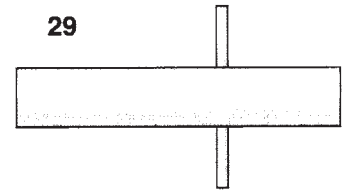
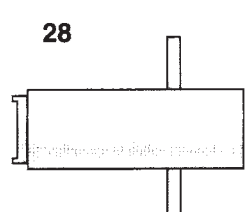
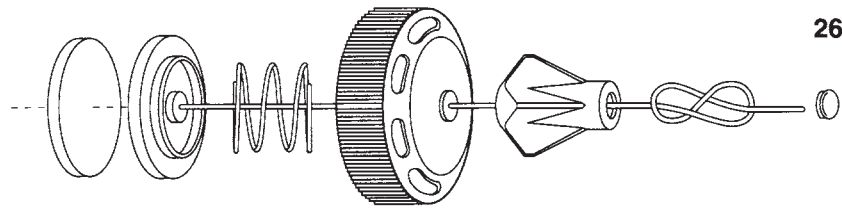
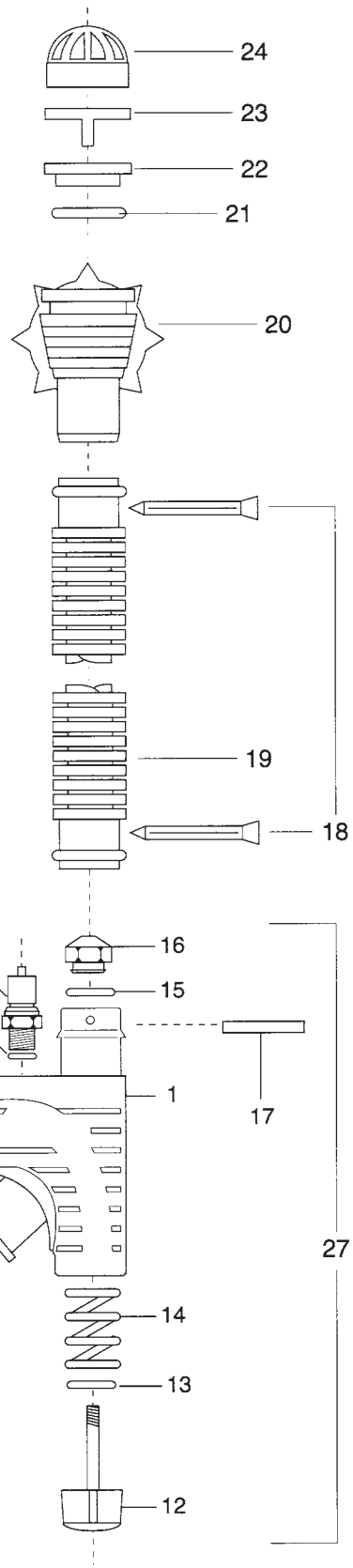
FOR REFERENCE ONLY

SOME PARTS MAY NO LONGER BE AVAILABLE

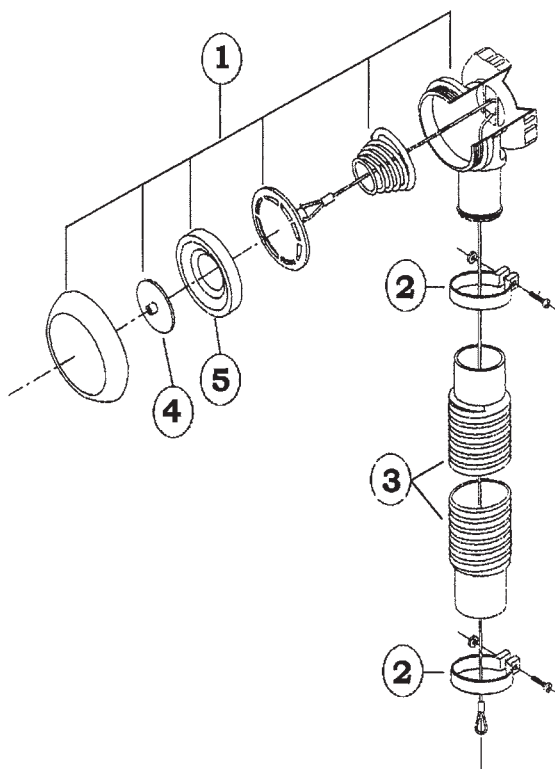
SOME TECHNICAL BULLETINS MAY APPLY TO THESE INFLATORS

| Item | Part No. | Description |
|------|----------|---------------------------------------|
| 1 | SPP-01 | Inflator body |
| 2 | SPP-02 | Mouthpiece |
| 3 | SPP-03 | Button - power - gray |
| 4 | PP-04 | Spring - power - stainless steel |
| 5 | PP-05 | Housing |
| 6 | R112 | O-ring |
| 7 | R012 | O-ring |
| 8 | R006 | O-ring - polyurethane (2 required) |
| 9 | PP-09 | Stem |
| 10 | R011B | O-ring |
| 11 | PP-11 | Q.D. Nipple |
| 12 | SPP-12 | Button/Shaft - oral |
| 13 | R116 | O-ring |
| 14 | PP-14 | Spring - oral - stainless steel |
| 15 | R110 | O-ring |
| 16 | PP-16 | Nut - oral |
| 17 | PP-17 | Retaining pin - stainless steel |
| 18 | PP-18 | Tie wrap |
| 19 | PP-19-S | Flex hose, 13" |
| 19 | PP-19-M | Flex hose, 17" |
| 19 | PP-19-L | Flex hose, 19" |
| 19 | PP-19-XL | Flex hose, 21" |

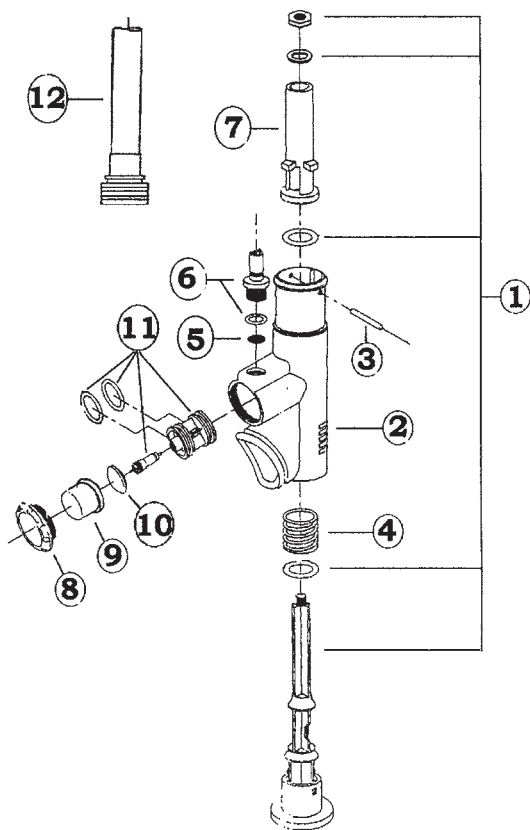
| Item | Part No. | Description |
|---|------------|---|
| 20 | PP-20-S | Elbow/cable assembly, 13" |
| 20 | PP-20-M | Elbow/cable assembly, 17" |
| 20 | PP-20-L | Elbow/cable assembly, 19" |
| 21 | R210 | O-ring |
| 22 | PP-22 | Check valve retainer |
| 23 | PP-23 | Check valve |
| 24 | PP-24 | Cap |
| 25 | PP-25 | Elbow gasket |
| 26 | SPP-30 | Manual rear dump assembly |
| 27 | SPP-50 | Power inflator assembly (Items 1-17) |
| 28 | 20-660-200 | Inflator valve T-tool |
| 29 | 20-670-400 | Dump nut & QD nipple tool |
| PP-SHR-S | | Complete assembly 13" |
| PP-SHR-M | | Complete assembly 17" |
| SPP-KIT | | Service Kit |
| Includes: SPP-03, PP-04, PP-05, PP-06, PP-07, PP-08 (2), PP-09, PP-10, PP-11, PP-11 | | |



| Item | Part No. | Description |
|------|----------|--------------------------------------|
| 1 | BP2014 | Elbow Dump Assy, 14" Buttress Thread |
| 1 | BP2016 | Elbow Dump Assy, 17" Buttress Thread |
| 1 | BP2015 | Elbow Dump Assy, 14" UNF Thread |
| 1 | BP2017 | Elbow Dump Assy, 17" UNF Thread |
| 2 | BP1505 | Clamp Assembly, Std 1" |
| 3 | BP1557 | Spiral Hose, 1" x 14" |
| 3 | BP1558 | Spiral Hose, 1" x 17" |
| 4 | BP2005 | Elbow Dump Check Valve |
| 5 | BP2009 | Elbow Dump Seal |



| Item | Part No. | Description |
|--------|----------|--|
| 1 | BP2008 | Power inflator assembly (Use SPP-50) |
| 2 | BP2026 | Housing |
| 3 | BP1512 | Elbow Dump Cable - Retaining Pin |
| 4 | BP2010 | Oral Inflator Spring |
| 5 | BP2006 | Power Inflator Inlet Filter |
| 6 | BP1515 | Power Inflator Quick Disconnect w/O-Ring |
| 7 | BP2011 | Oral Inflator Support |
| 8 | BP2021 | Power Inflator Retaining Ring |
| 9 | BP2002 | Power Inflator, Button Cap, Red |
| 10 | BP2007 | Power Inflator, Internal Button |
| 11 | BP2018 | Valve Carrier with Check Valve & O-Rings |
| 12 | SLP150 | LP Power Inflator Hose Std, 28" |
| 1 - 12 | BP2001 | Oral inflate/deflate assy. (Use SPP-50) |



FOR REFERENCE ONLY
SOME PARTS MAY NO LONGER BE AVAILABLE
SOME TECHNICAL BULLETINS MAY APPLY TO THESE INFLATORS

FOR REFERENCE ONLY
SOME PARTS MAY NO LONGER BE AVAILABLE
SOME TECHNICAL BULLETINS MAY APPLY TO THESE INFLATORS

| Item | Part No. | Description |
|------|----------|---|
| 1 | BP1503 | Elbow Dump Check Valve |
| 2 | BP1516 | Elbow Dump Check Valve Retainer |
| 3 | BP1508 | Elbow Gasket, 1" |
| 4 | BP1573 | External Threaded Access Fitting UNF |
| 5 | BP1574 | Internal Threaded Access Fitting UNF |
| 6 | BP1502 | Threaded Valve Cap |
| 7 | BP1510 | Elbow Dump O-Ring |
| 8 | BP1512 | Cable Retaining Ring |
| 9 | BP1526 | Elbow Dump Assembly, 17" UNF |
| 10 | SLP150 | Power Inflator Hose, 28" |
| 11 | BP1515 | Power Inflator QD nipple |
| 12 | BP1520 | Power Inflator Shaft and Button Assembly |
| 13 | BP1519 | Power Inflator Spring |
| 14 | BP1509 | Lock Nut |
| 15 | BP1511 | Power Inflator O-Ring |
| 16 | BP1505 | Clamp Assembly, 1" |
| 17 | BP1513 | Power Inflator Body |
| 18 | BP1507 | Power Inflator Seal Gasket |
| 19 | BP1523 | Power Inflator Retaining Ring |
| 20 | BP1517 | Power Inflator Threaded - Retaining Sleeve |
| 21 | BP1521 | Oral Inflator Valve |
| 22 | BP1501 | Power Inflator Assembly - (Use SPP-50) |
| 23 | BP1522 | Complete Power Inflator - Hose NOT included |
| 24 | BP1504 | Elbow Dump Check Valve Assembly |

