

**Description: 1.6dBi, 217-222MHz
With mounting hardware**

Series: Radome Omni

PART NUMBER: RO2202NFKIT



Features:

- Kit of Antenna + Bracket
- Omnidirectional antenna
- Gain 1.6dBi
- Polarization Vertical
- Connector N-female
- IP67
- Bracket mounts to either Horizontal or Vertical pipe

Applications:

- 217-222MHz Radios
- Utilities
- SCADA Railway / PTC
- IoT

Issue: 1911

In the effort to improve our products, we reserve the right to make changes judged to be necessary.

CONFIDENTIAL AND PROPRIETARY INFORMATION

This document contains confidential and proprietary information of Pulse Electronics, Inc. (Pulse) and is protected by copyright, trade secret and other state and federal laws. Its receipt or possession does not convey any rights to reproduce, disclose its contents, or to manufacture, use or sell anything it may describe. Reproduction, disclosure or use without specific written authorization of Pulse is strictly forbidden.

For more information:

Pulse Worldwide Headquarters
15255 Innovation Drive #100
San Diego, CA 92128
USA
Tel: 1-858-674-8100

Pulse/Larsen Antennas
18110 SE 34th St Bldg 2 Suite 250
Vancouver, WA 98683
USA
Tel: 1-360-944-7551

Europe Headquarters
Pulse GmbH & Do, KG
Zeppelinstrasse 15
Herrenberg, Germany
Tel: 49 7032 7806 0

Pulse (Suzhou) Wireless Products Co, Inc.
99 Huo Ju Road(#29 Bldg,4th Phase
Suzhou New District
Jiangsu Province, Suzhou 215009 PR China
Tel: 86 512 6807 9998



**Description: 1.6dBi, 217-222MHz
 With mounting hardware**

Series: Radome Omni

PART NUMBER: RO2202NFKIT

ELECTRICAL SPECIFICATIONS

Antenna type	1/2 wave (ground plane, not required)
Frequency	217-222 MHz
Nominal Impedance	50 Ω
VSWR	1.5:1
Gain	1.6 dBi
Efficiency	90%
Radiation Pattern	Omni
HPBW / E-Plane	81°
Polarization	Vertical
Power withstanding	40 W
Connector type	N-Female

MECHANICAL SPECIFICATIONS

Overall Length	837.9mm
Weight	478g
Antenna Color / Material protected	White/Polyester/fiberglass–UV
Mounting hardware nuts & washers	Cast aluminum bracket , V-bolts,

ENVIRONMENTAL SPECIFICATIONS

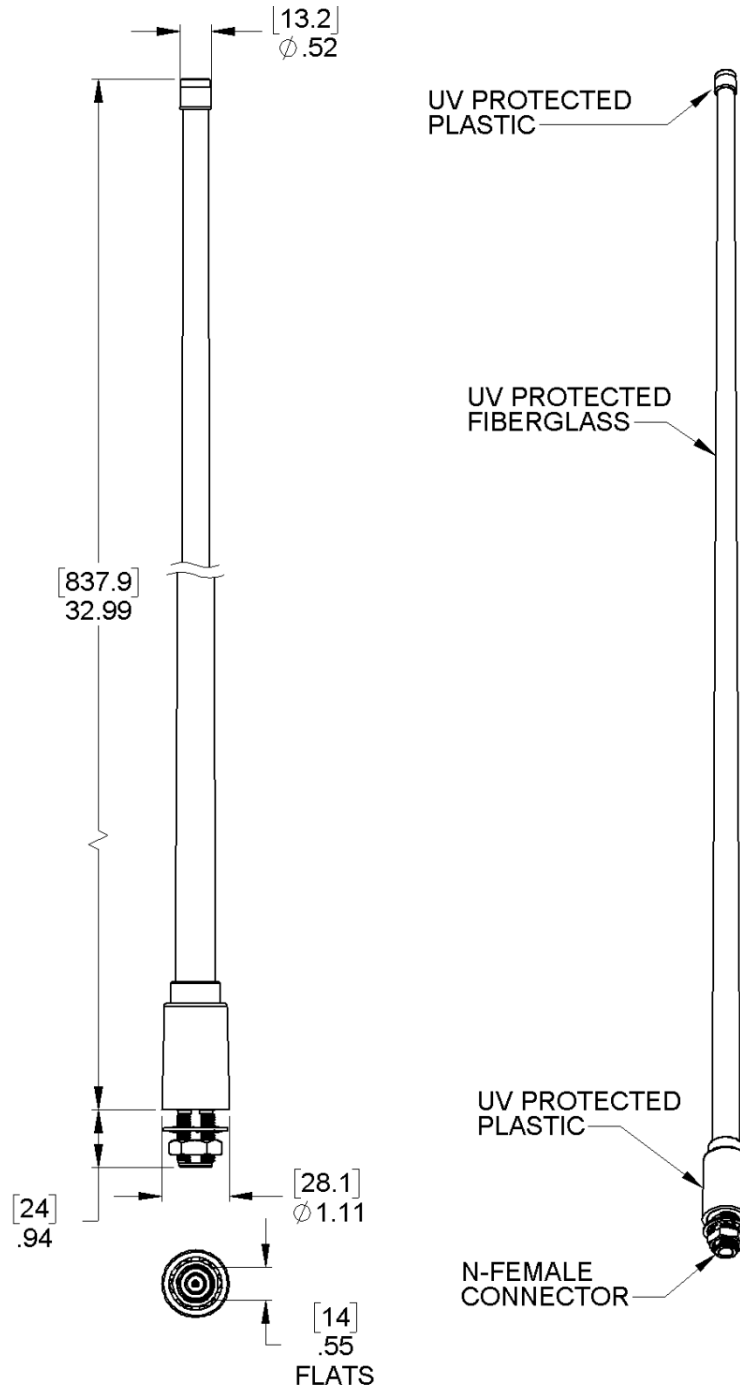
Operating Temperature	-40 ~ +85° C
Ingress Protection	IP67
Wind-loading	202.2 km/h (125 mph)
RoHS Compliant	Yes

Description: 1.6dBi, 217-222MHz
 With mounting hardware

Series: Radome Omni

PART NUMBER: RO2202NFKIT

MECHANICAL DRAWING



All dimensions are in mm / inches

Issue: 1911

In the effort to improve our products, we reserve the right to make changes judged to be necessary.

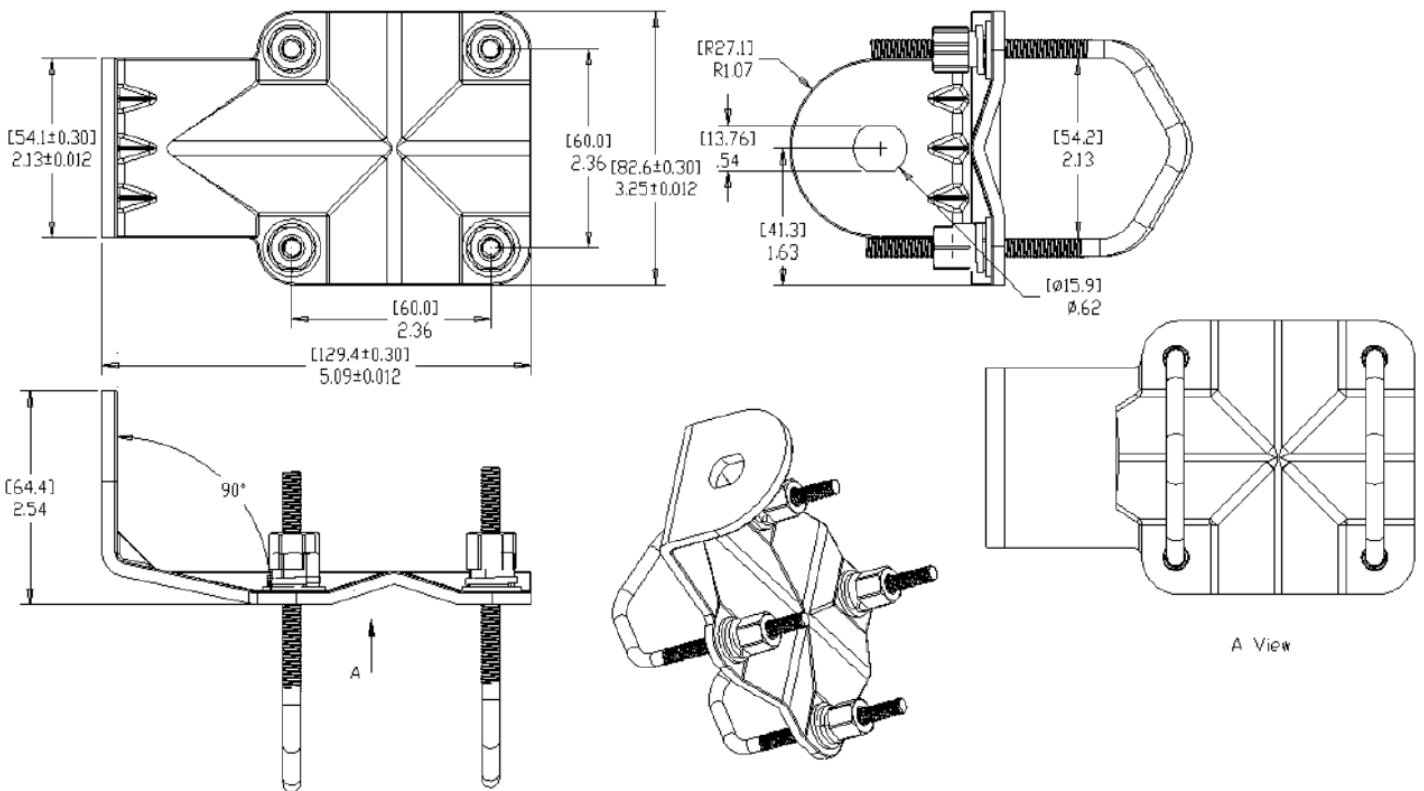
CONFIDENTIAL AND PROPRIETARY INFORMATION

This document contains confidential and proprietary information of Pulse Electronics, Inc. (Pulse) and is protected by copyright, trade secret and other state and federal laws. Its receipt or possession does not convey any rights to reproduce, disclose its contents, or to manufacture, use or sell anything it may describe. Reproduction, disclosure or use without specific written authorization of Pulse is strictly forbidden.

**Description: 1.6dBi, 217-222MHz
With mounting hardware**

Series: Radome Omni

PART NUMBER: RO2202NFKIT



All dimensions are in mm / inches

Issue: 1911

In the effort to improve our products, we reserve the right to make changes judged to be necessary.

CONFIDENTIAL AND PROPRIETARY INFORMATION

This document contains confidential and proprietary information of Pulse Electronics, Inc. (Pulse) and is protected by copyright, trade secret and other state and federal laws. Its receipt or possession does not convey any rights to reproduce, disclose its contents, or to manufacture, use or sell anything it may describe. Reproduction, disclosure or use without specific written authorization of Pulse is strictly forbidden.

Description: 1.6dBi, 217-222MHz
With mounting hardware

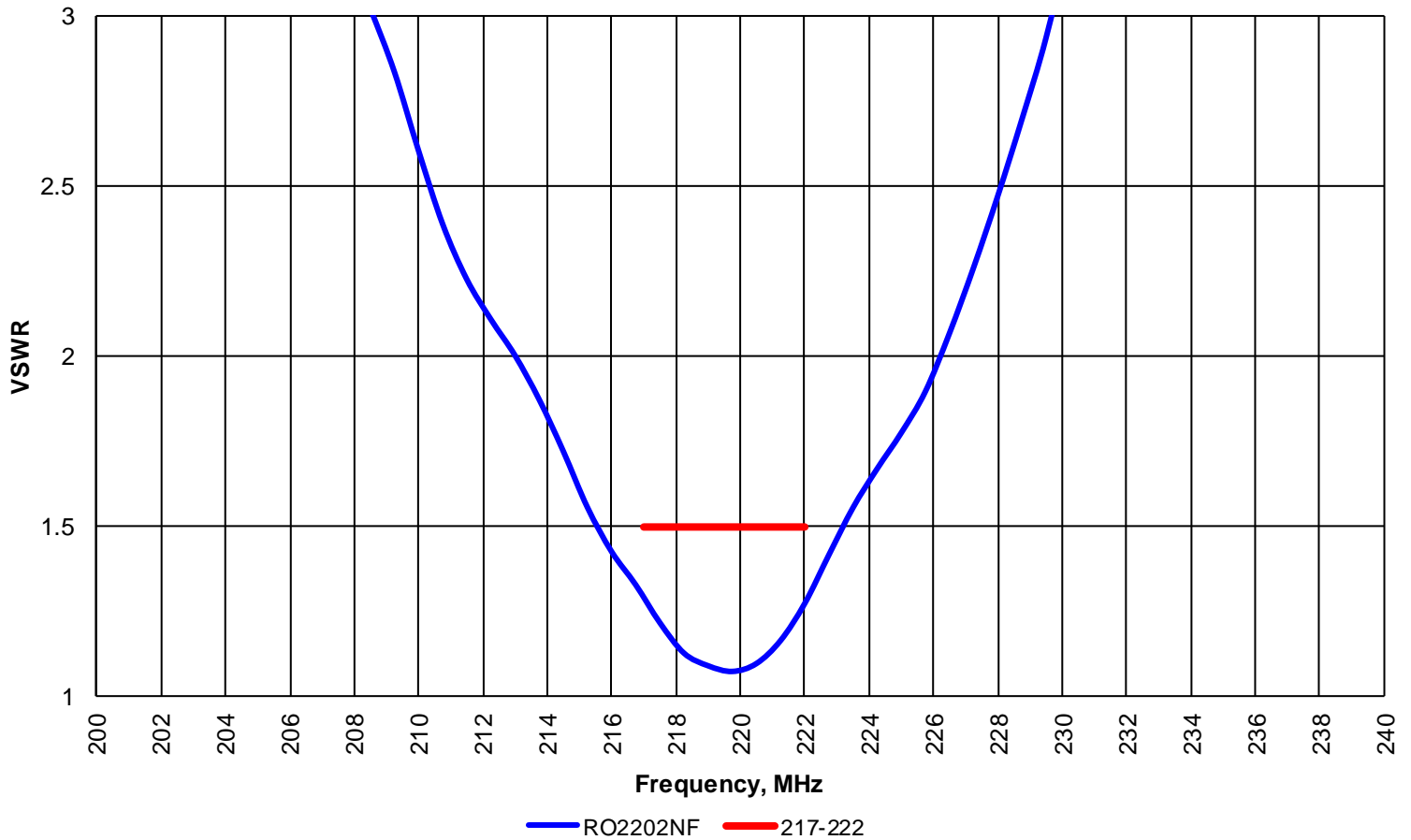
Series: Radome Omni

PART NUMBER: RO2202NFKIT

CHARTS

VSWR vs Frequency
RO2202NF

Measured at Pulse, USA - July 30, 2018



Issue: 1911

In the effort to improve our products, we reserve the right to make changes judged to be necessary.

CONFIDENTIAL AND PROPRIETARY INFORMATION

This document contains confidential and proprietary information of Pulse Electronics, Inc. (Pulse) and is protected by copyright, trade secret and other state and federal laws. Its receipt or possession does not convey any rights to reproduce, disclose its contents, or to manufacture, use or sell anything it may describe. Reproduction, disclosure or use without specific written authorization of Pulse is strictly forbidden.

**Description: 1.6dBi, 217-222MHz
With mounting hardware**

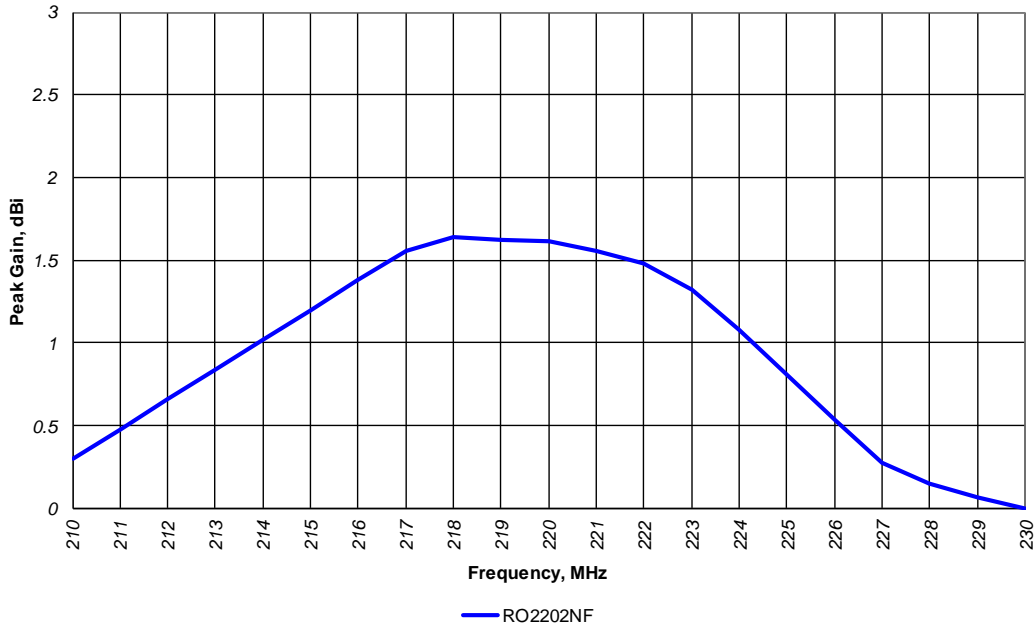
Series: Radome Omni

PART NUMBER: RO2202NFKIT

CHARTS

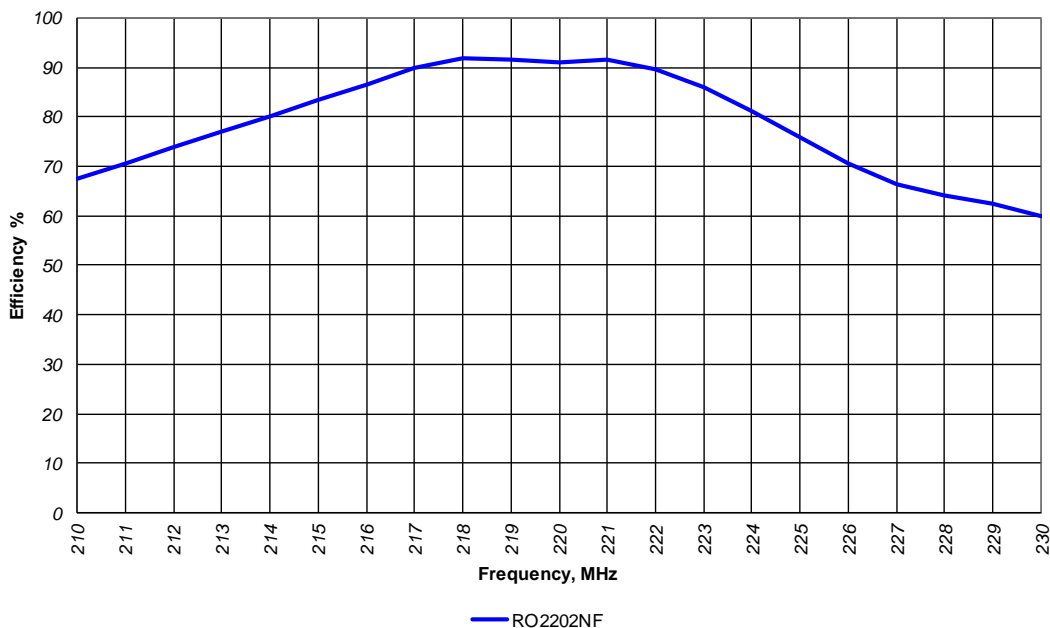
**Peak Gain vs Frequency
RO2202NF**

Measured at Pulse, USA - July 30, 2018



**Efficiency vs Frequency
RO2202NF**

Measured at Pulse, USA - July 30, 2018



Issue: 1911

In the effort to improve our products, we reserve the right to make changes judged to be necessary.

CONFIDENTIAL AND PROPRIETARY INFORMATION

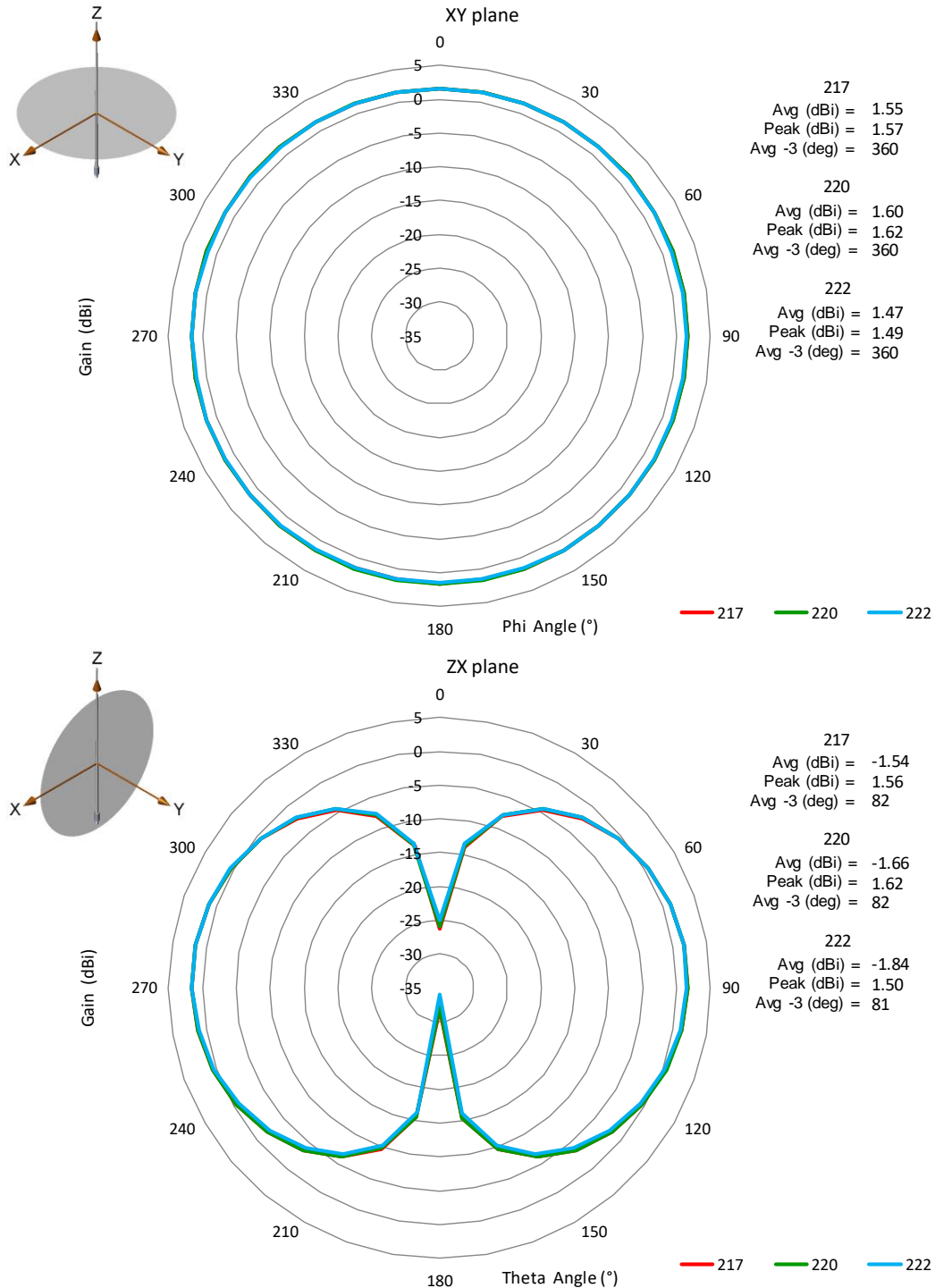
This document contains confidential and proprietary information of Pulse Electronics, Inc. (Pulse) and is protected by copyright, trade secret and other state and federal laws. Its receipt or possession does not convey any rights to reproduce, disclose its contents, or to manufacture, use or sell anything it may describe. Reproduction, disclosure or use without specific written authorization of Pulse is strictly forbidden.

**Description: 1.6dBi, 217-222MHz
With mounting hardware**

Series: Radome Omni

PART NUMBER: RO2202NFKIT

CHARTS



Issue: 1911

In the effort to improve our products, we reserve the right to make changes judged to be necessary.

CONFIDENTIAL AND PROPRIETARY INFORMATION

This document contains confidential and proprietary information of Pulse Electronics, Inc. (Pulse) and is protected by copyright, trade secret and other state and federal laws. Its receipt or possession does not convey any rights to reproduce, disclose its contents, or to manufacture, use or sell anything it may describe. Reproduction, disclosure or use without specific written authorization of Pulse is strictly forbidden.

**Description: 1.6dBi, 217-222MHz
With mounting hardware**

Series: Radome Omni

PART NUMBER: RO2202NFKIT

PACKAGING

1 cardboard box containing:

- 1 plastic bag containing bracket kit
- 1 plastic bag containing antenna placed in foam supports
- 1 label on plastic bag with part number, date code.

Mouser Electronics

Authorized Distributor

Click to View Pricing, Inventory, Delivery & Lifecycle Information:

Pulse:

[RO2202NFKIT](#)