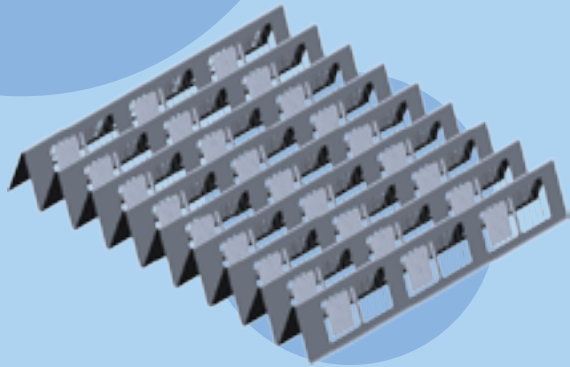


ALUMINIUM RADIATOR HOUR GLASS PATTERN

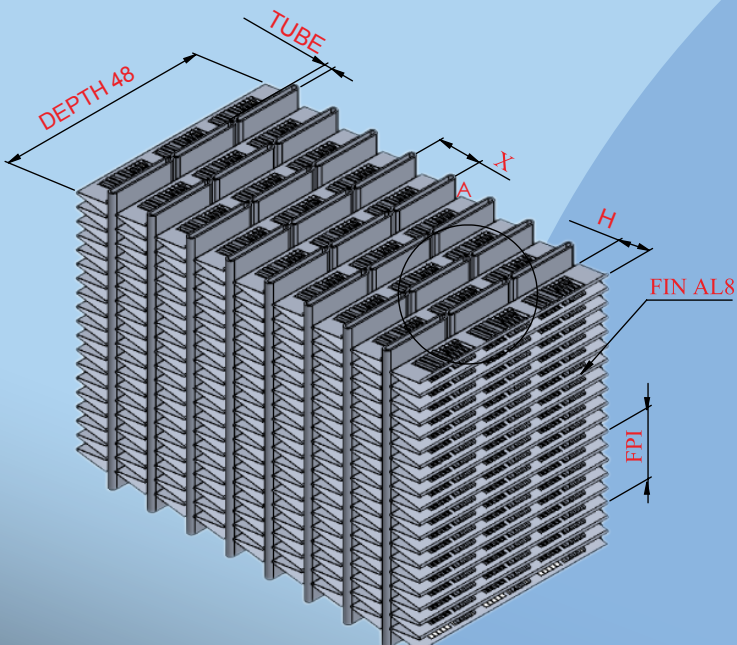
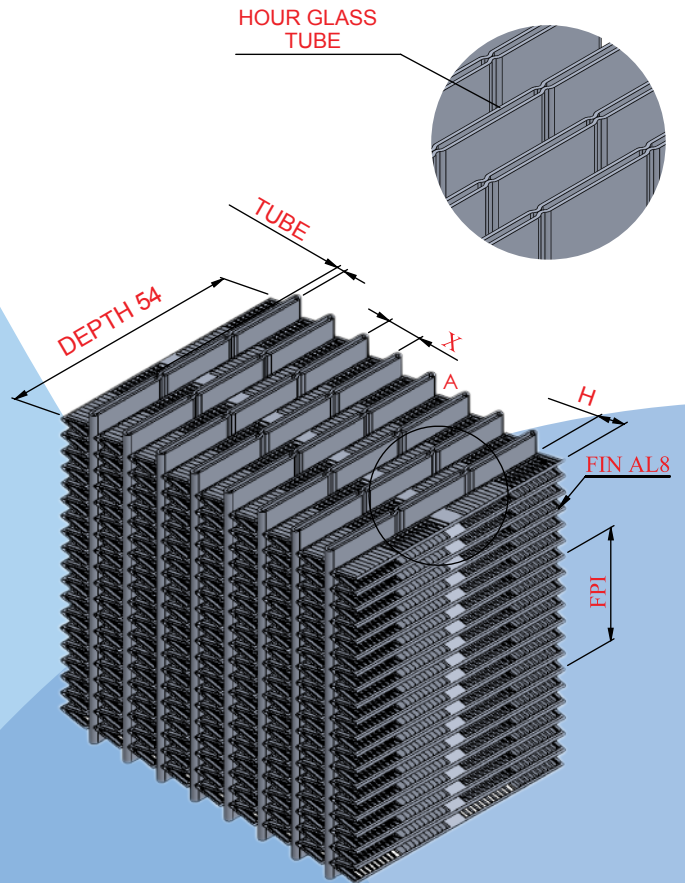
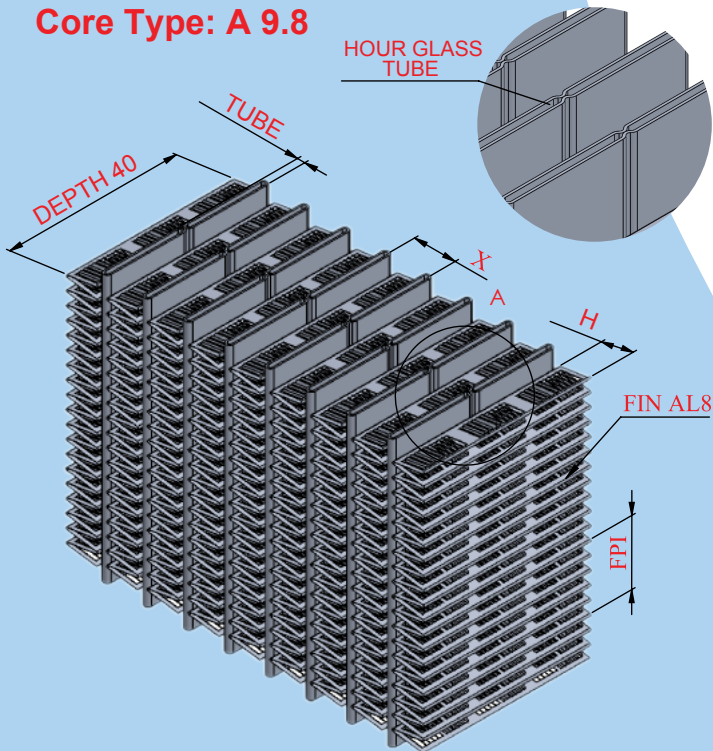
Fin Name: **AL 8 - Corrugate Louver Hour Glass Tube**

Type A 9.8 - HG, Corrugate Louver

Sl#	Depth	Rows	Tube Size	Core Description
1	40	1	40 x 1.8	Tube Pitch X: 9.8 Fin Height H: 8 FPI: 14~16
2	48	1	48 x 1.8	
3	54	1	54 x 1.8	



Core Type: A 9.8



** All dimensions are in mm