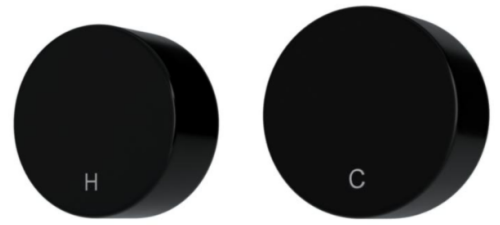


# MW11 CIRCULAR WALL TAPS

# meir®



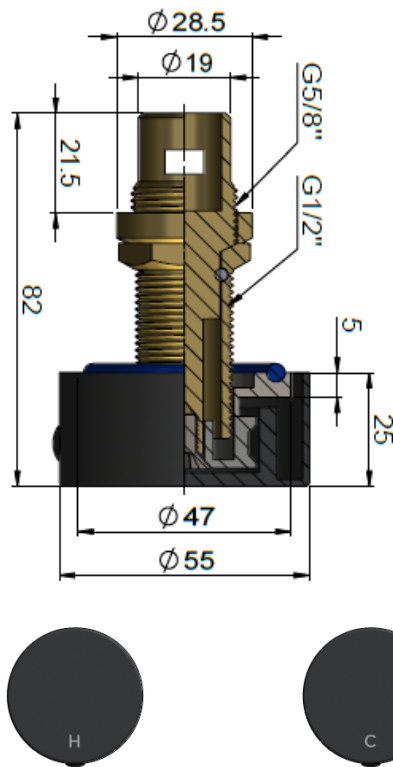
## FEATURES

- Refer to the Meir website for warranty terms & conditions.
- Flow rate 20 L p/m
- European ceramic cartridge
- Solid brass construction
- Box Weight 0.8 kg

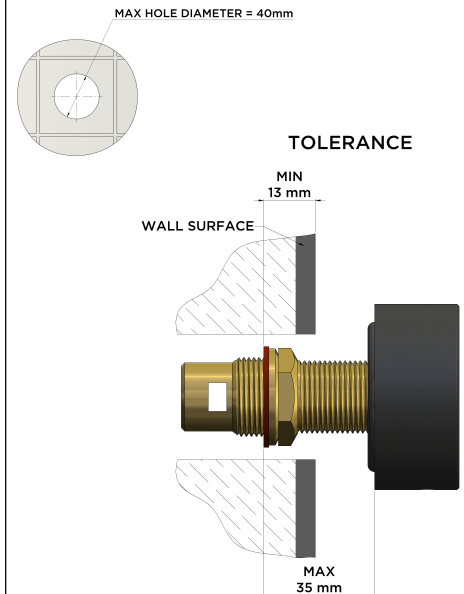
## CARE

- Do not install tapware using any form of acetone silicones.
- Do not apply physical items (such as tools) directly to product.
- Never use house-hold or commercial detergents, citrus based cleaners, or abrasive cleaners.
- Clean using a mild washing soap solution rinsed, and dry with a soft cloth.
- Check for any product defects before installation.
- Refer to the installation manual for correct installation.

## SPECIFICATIONS



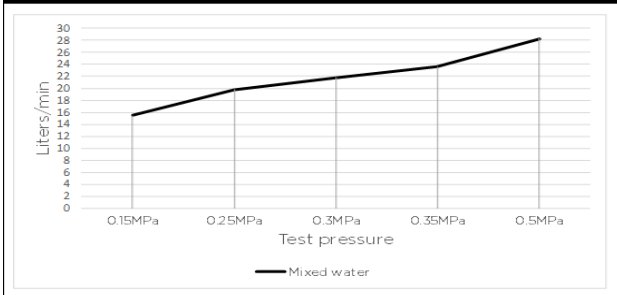
## TOLERANCES



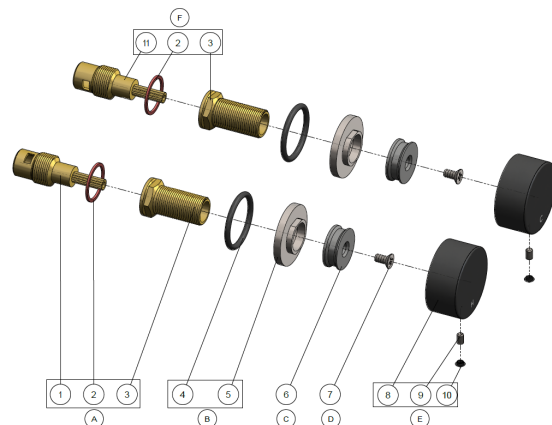
## FLOW RATE GRAPH

Test pressure	0.15MPa	0.25MPa	0.3MPa	0.35MPa	0.5MPa
Mixed water	15.47	19.81	21.77	23.58	28.27

Flowchart



## EXPLODED VIEW



No.	Part Name	QTY
1	Cartridge (Hot)	1
2	Fiber Washer	2
3	Lock Nut	2
4	O-ring	2
5	Base plate	2
6	Connector	2
7	Screw	2
8	Handle	2
9	Buttom	2
10	Screw	2
11	Cartridge (Cold)	1

## CREDENTIALS

- WaterMark AS/NZS 3718:2005