

INSTRUCTION GUIDE AND USER MANUAL

ONE TOUCH BUILT IN FAUCETS



IMPORTANT!

This Step-by-Step guide should be given to the customer after installation and demonstration.

These instructions contain all the necessary fitting and operating instructions for your Push Button Concealed Faucet. Care taken during the installation will provide a long, trouble free life for your One Touch Faucet.

GENERAL NOTES

This step by step guide should be given to the customer after installation, commissioning and demonstration of the One Touch Built-in faucet .

These instructions contain all the necessary fitting and operating instructions for your One Touch built-in shower Faucet. Care taken during the installation will provide a long, trouble free life for your Faucet.

IMPORTANT : The Faucet Installation must be carried out by a suitably qualified person and is subject to the requirements of the relevant local authority. Installation must comply with water regulations, building regulations or any specific local water company regulations and should be in accordance with BS EN 806.

IMPORTANT : This faucet is not intended for use by persons (including Children) with reduced physical, sensory or physical capabilities, or lack of experience and knowledge, unless they have been given supervision or instruction concerning the use of this faucet by a person responsible for their safety.

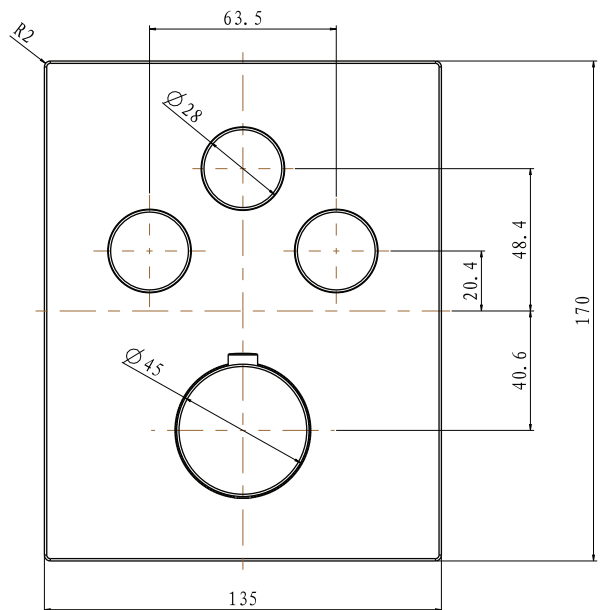
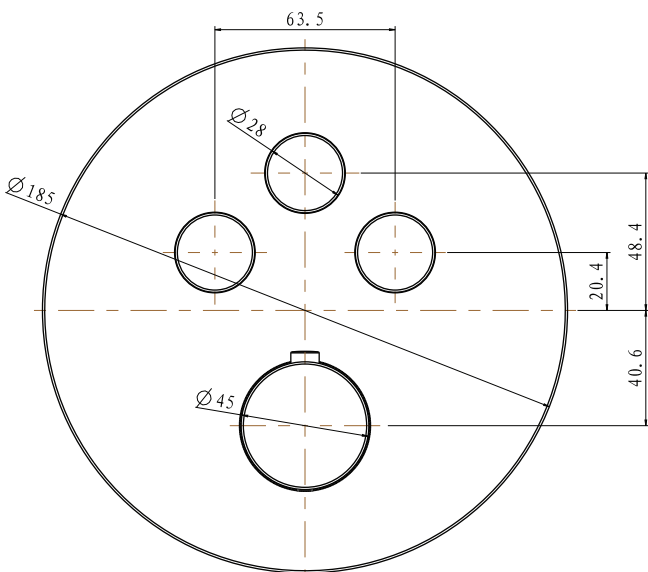
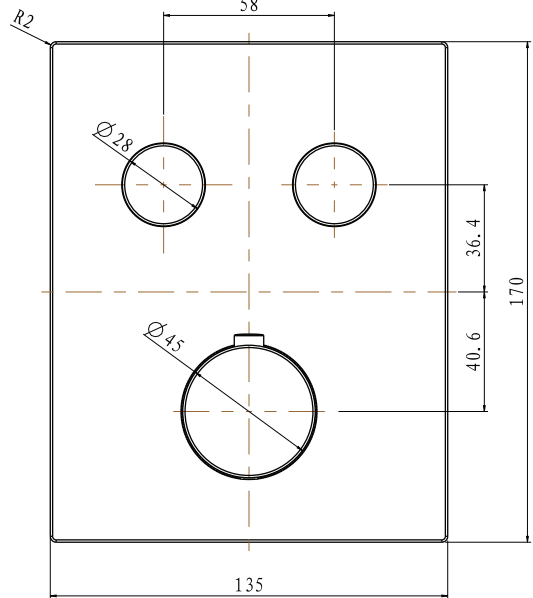
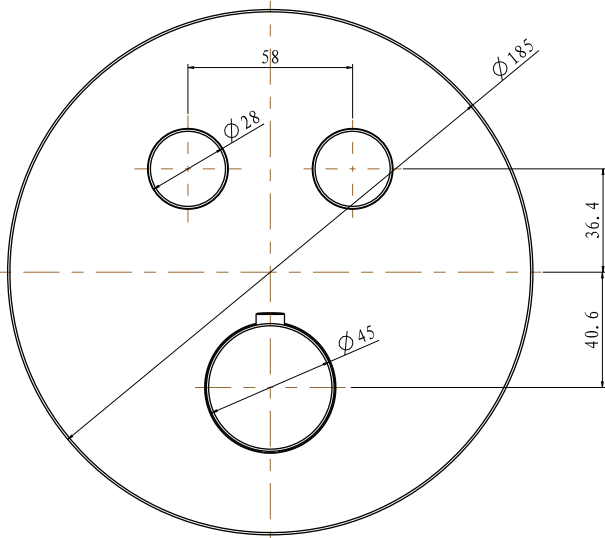
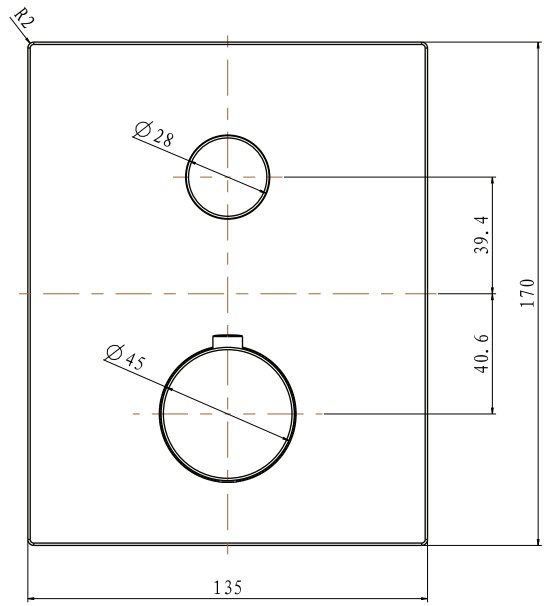
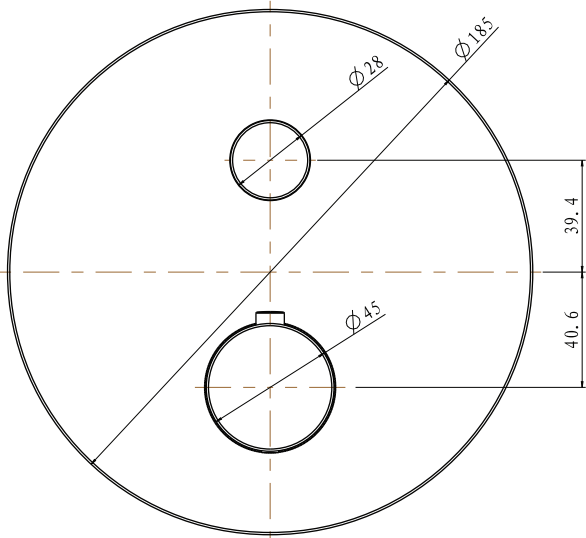
IMPORTANT : before turning on the water supply for the faucet, the water supply pipes feeding the faucet should be flushed out to remove debris. After flushing the pipework, ensure the faucet box is positioned and fixed squarely on the wall and tighten the fixing screws.

Tighten all plumbing connections and check the pipeworks for leaks before completing the wall surface and tiling.

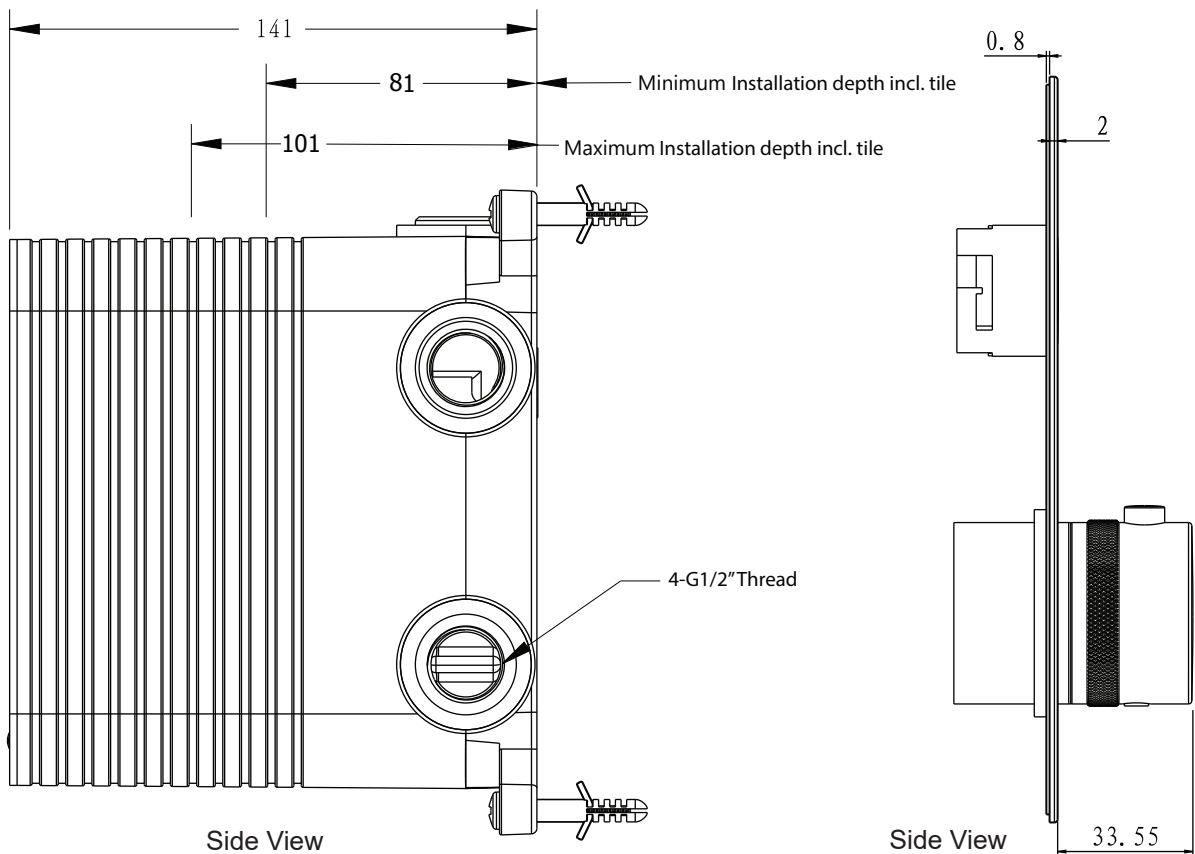
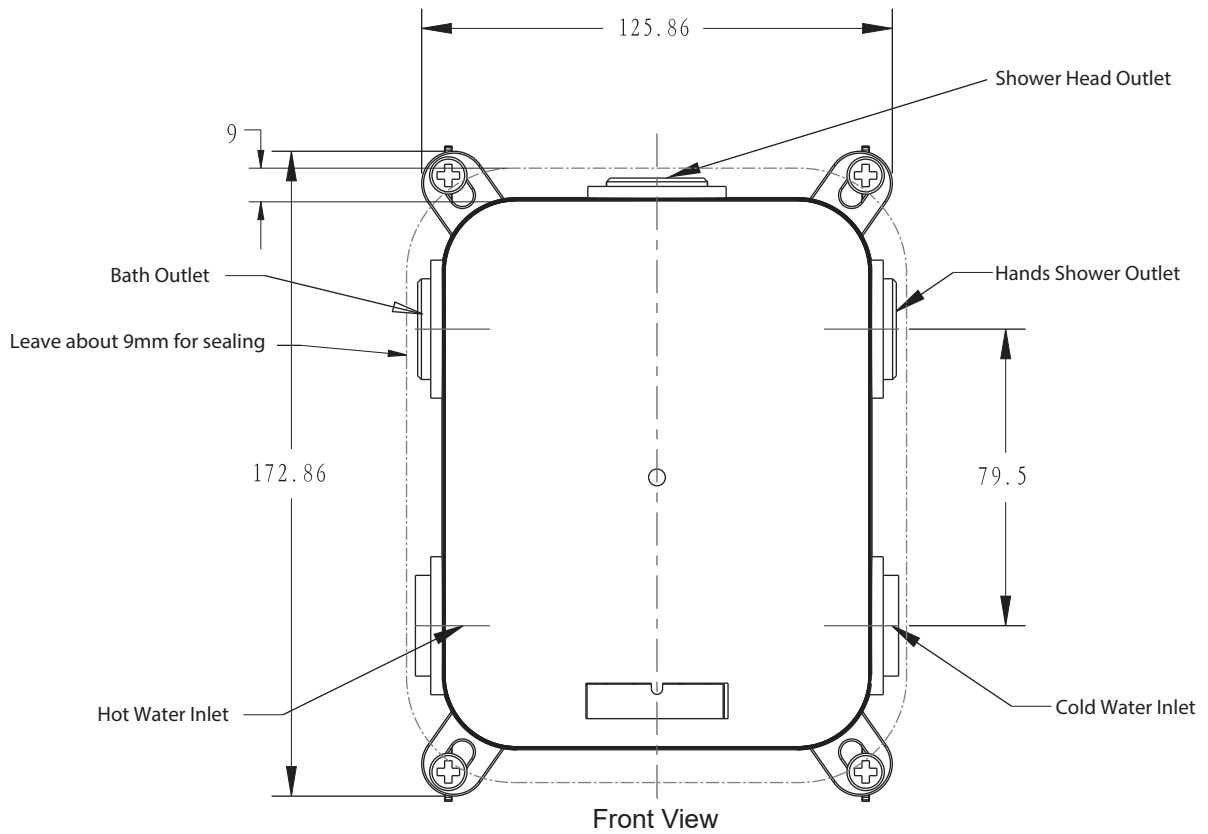
IMPORTANT : for optimum performance of the faucet ,the hot and cold supplies should be equal pressure.

IMPORTANT : if the incoming cold water pressure exceed the recommended maximum 5.0 Bar (500 Kpa) , it is recommended that a suitable pressure reducing valve should be fitted upstream to the faucet.

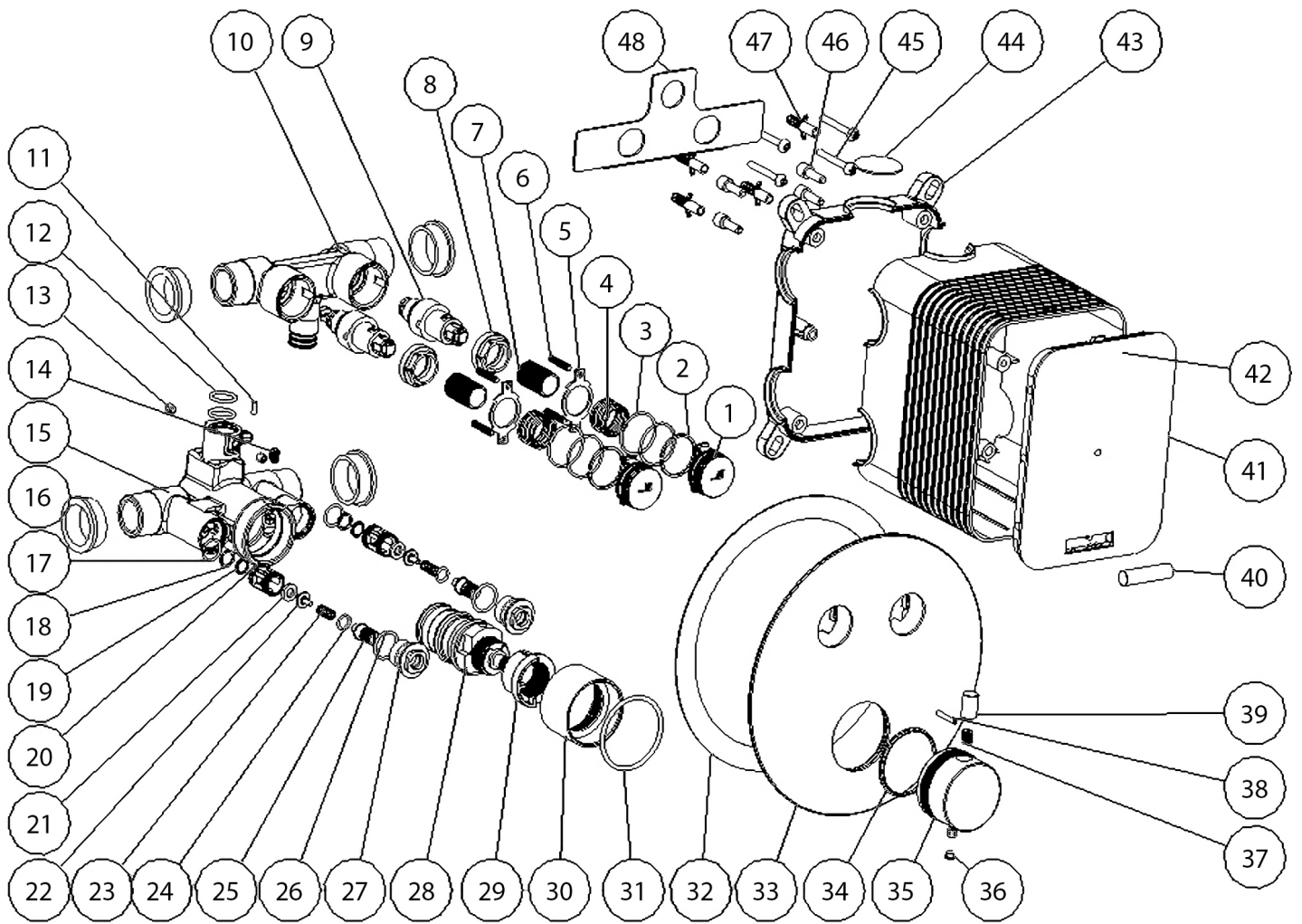
DIMENSION DATA



DIMENSION DATA



PARTS LIST

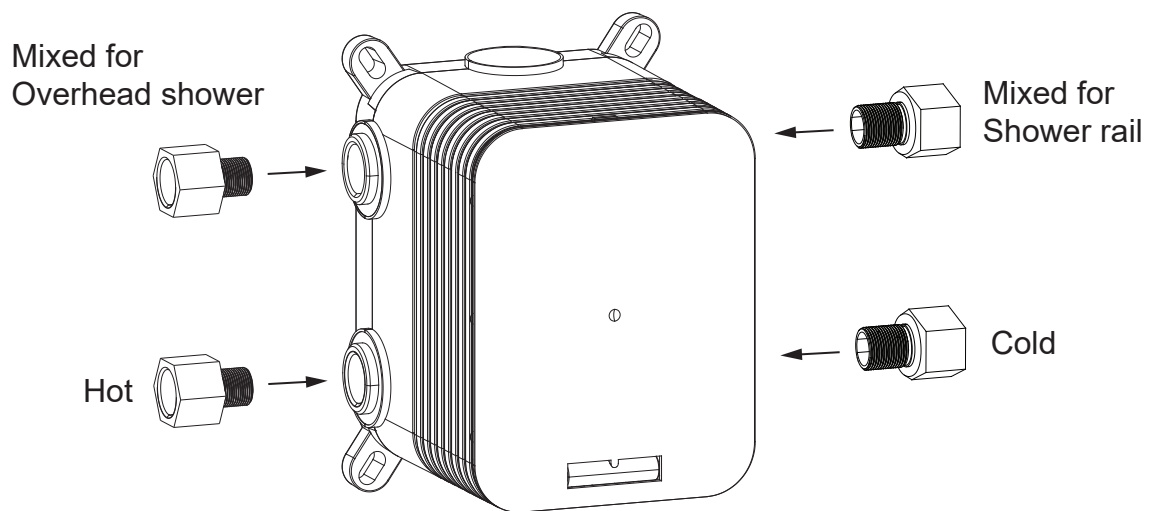


PARTS LIST

NO.	PART NAME	PART NO	QTY	MATERIAL	SIZE
1	Button	FT00001	2	HPB59-1	
2	C shape gasket	FT00002	2	POM	25*28*1.6
3	ORING	FT00003	4	NBR	21*1.5
4	Spring	FT00004	2	SUS304	
5	Fixing part	FT00005	2	SUS304	
6	Screw	FT00006	4	SUS304	M4*20
7	Connector	FT00007	2	POM M90-44	
8	Gland	FT00008	2	HPb57-3	G 3/4
9	Push button cartridge	FT00009	2	ASSY	Square head
10	2F valve	FT00010	1	CC770S	
11	Lock pin	FT00011	1	HPb57-3	Φ3*8.5
12	ORING	FT00012	2	NBR	Φ14*2
13	Screw	FT00013	3	SUS304	M5*6
14	Screw	FT00014	1	SUS304	M6*7.5
15	Thermostatic valve	FT00015	1	CC770S	
16	Plastic part	FT00016	4	NBR	
17	ORING	FT00017	2	NBR	12*1.5
18	Fixing ring	FT00018	2	SUS304	Φ11
19	Meshes	FT00019	2	SUS304	Φ10
20	Body for check valve	FT00020	2	HPB59-1	
21	Gasket	FT00021	2	NBR	11*6*2
22	Internal part	FT00022	2	HPB59-1	
23	Spring	FT00023	2	SUS304	0.4*6.5*12
24	ORING	FT00024	2	NBR	7*1.5
25	Pin	FT00025	2	HPB59-1	
26	ORING	FT00026	2	NBR	15.6*1.8
27	Cover for check valve	FT00027	2	HPB59-1	
28	Thermostatic cartridge	FT00028	1	ASSY	Vernet 20 teeth
29	Stop ring	FT00029	1	POM	
30	Fixing cylinder	FT00030	1	Hpb57-3	
31	ORING	FT00031	1	NBR	Φ45.4*2.8
32	Glued tape	FT00032	1		3M
33	2F round Coverplate	FT00033	1	ASSY	
34	Plastic Ring	FT00034	1	POM	
35	Handle	FT00035	1	ZINC	
36	Cap	FT00036	1	ABS	
37	Spring	FT00037	1	304	
38	Pin	FT00038	1	HPB59-1	M3*19.5
39	Button	FT00039	1	HPB58-3	
40	Scale	FT00040	1	GLASS	
41	Box cover	FT00041	1	PC	
42	Box	FT00042	1	ABS	
43	Box bottom	FT00043	1	ABS	
44	Protective part	FT00044	1	ABS	
45	Screw	FT00045	4	SUS304	ST4*35
46	Screw	FT00046	4	SUS304	M5*16
47	Plug	FT00047	4	PE	6*30
48	Ruler for cutting	FT00048	1	SUS430	

INSTALLATION (EXAMPLE 2 OUTLETS)

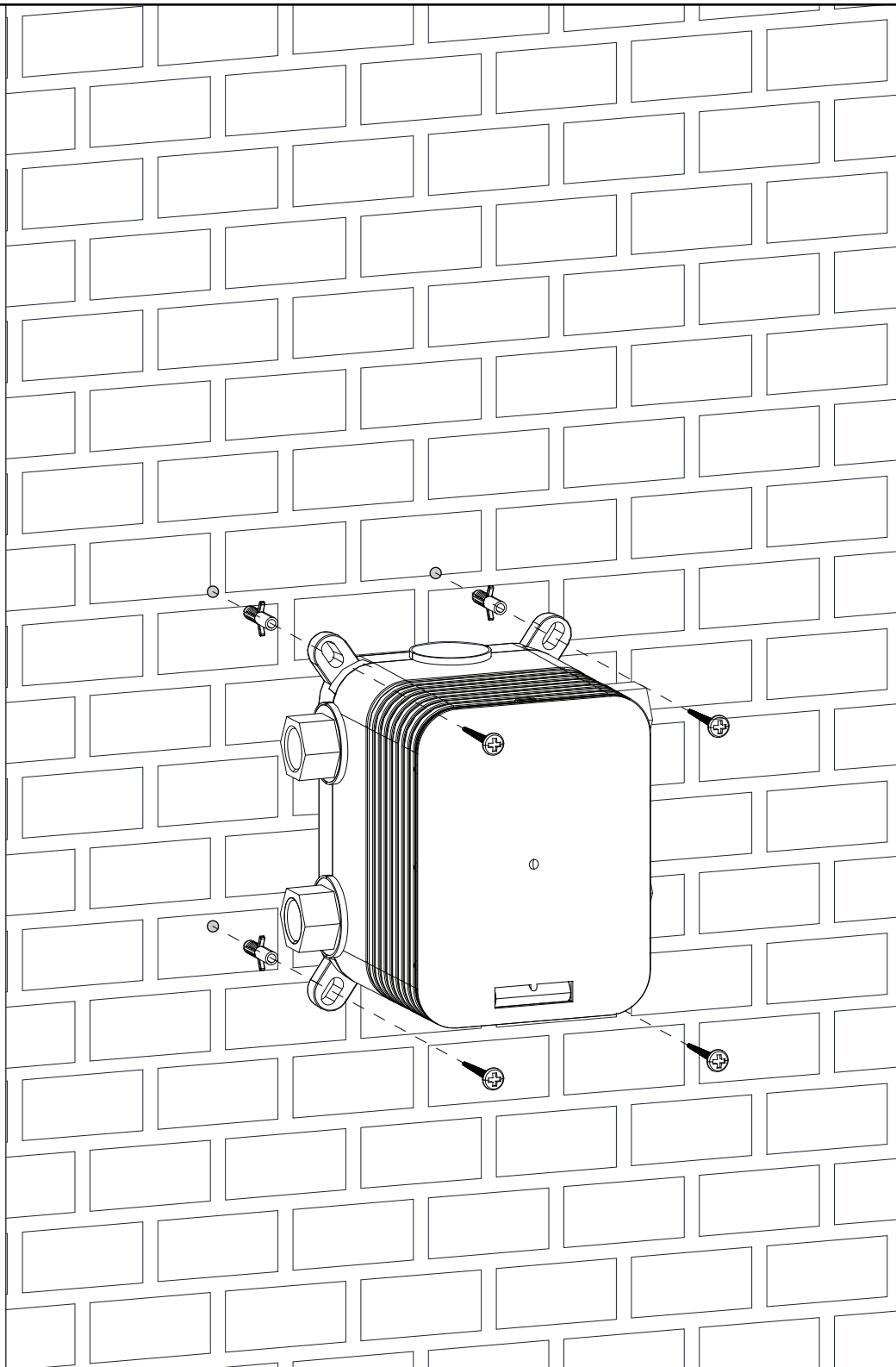
FIG 1 IMPORTANT NOTE: Flush all pipework to ensure no debris enter the thermostat.



Fit 1/2" male to 15mm. compression connectors to all inlets and outlets.

INSTALLATION (EXAMPLE 2F OUTLETS)

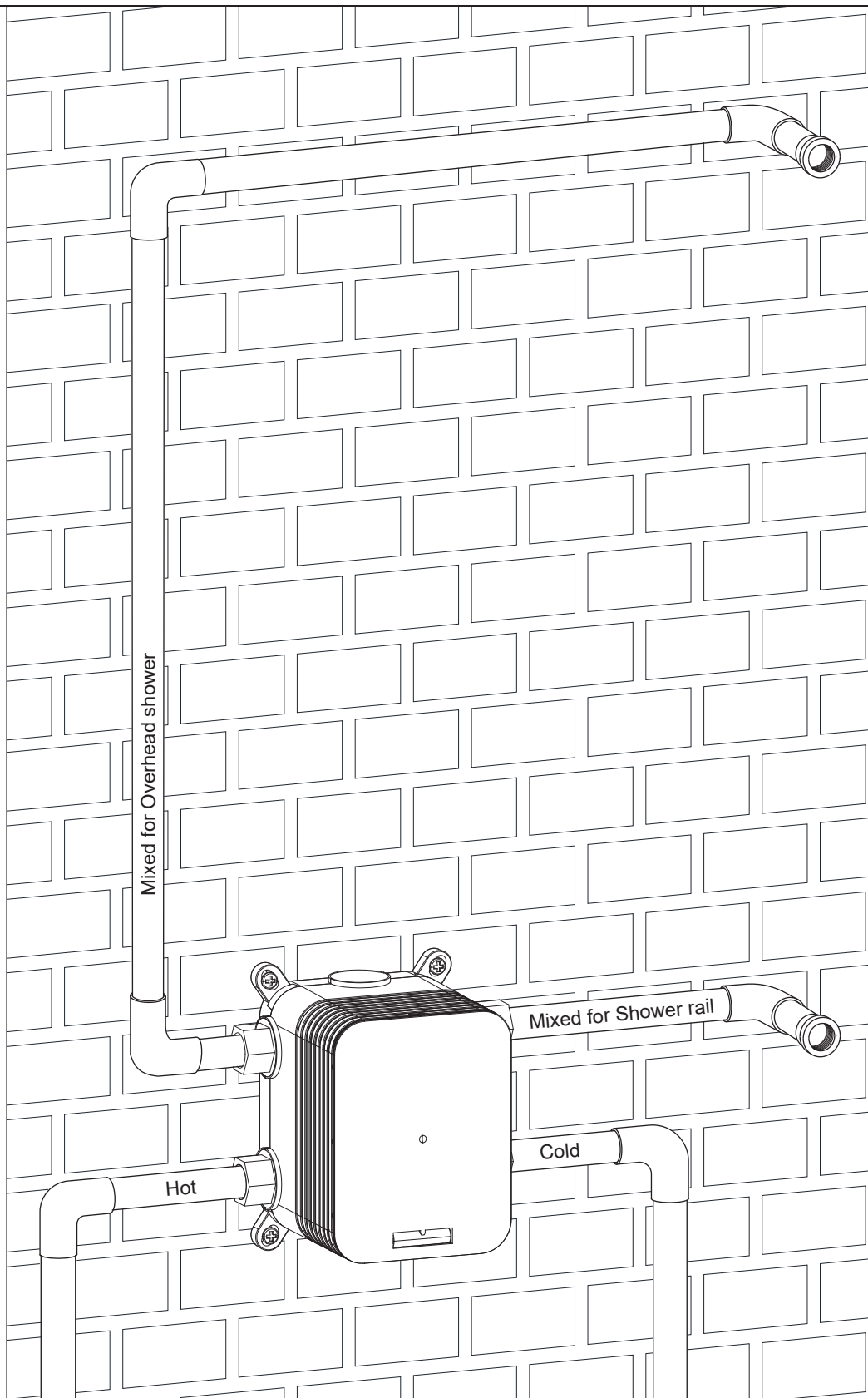
FIG 2



Fix faucet to wall with the fixings provided. check to ensure the faucet is level “vertically” and “horizontally”

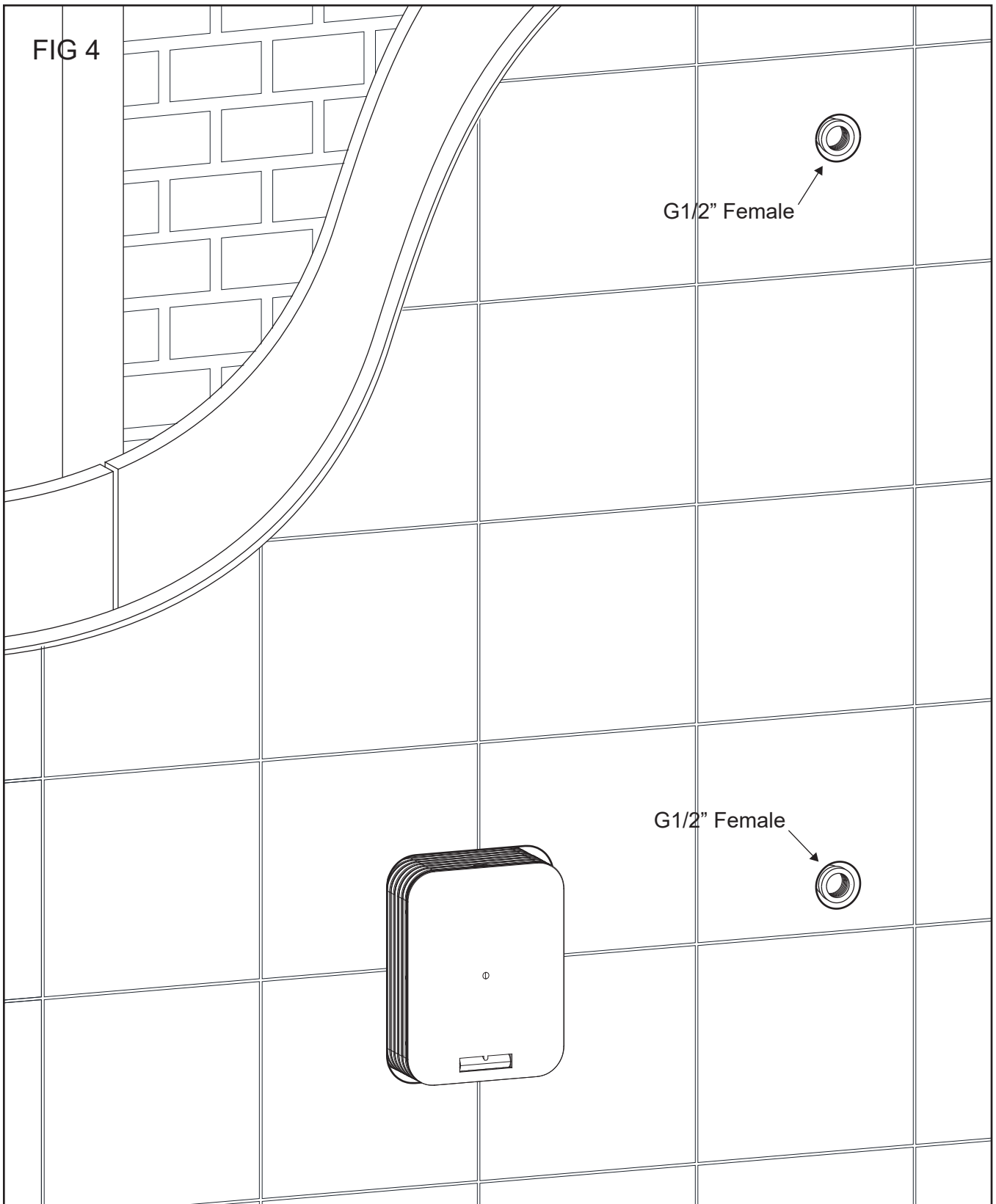
INSTALLATION (EXAMPLE 2F OUTLETS)

FIG 3



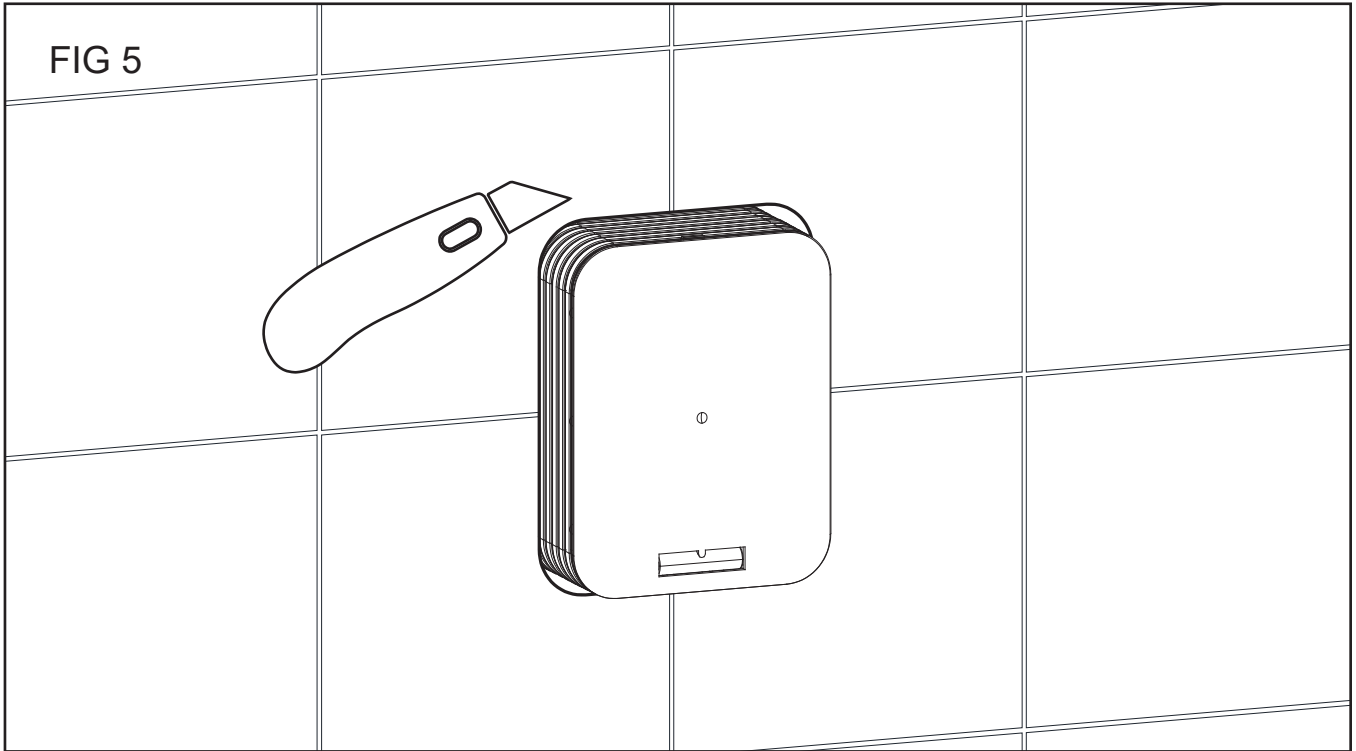
Install all pipework and test for leaks before closing the wall. Flush the pipe to remove debris, dirt

INSTALLATION (EXAMPLE 2F OUTLETS)

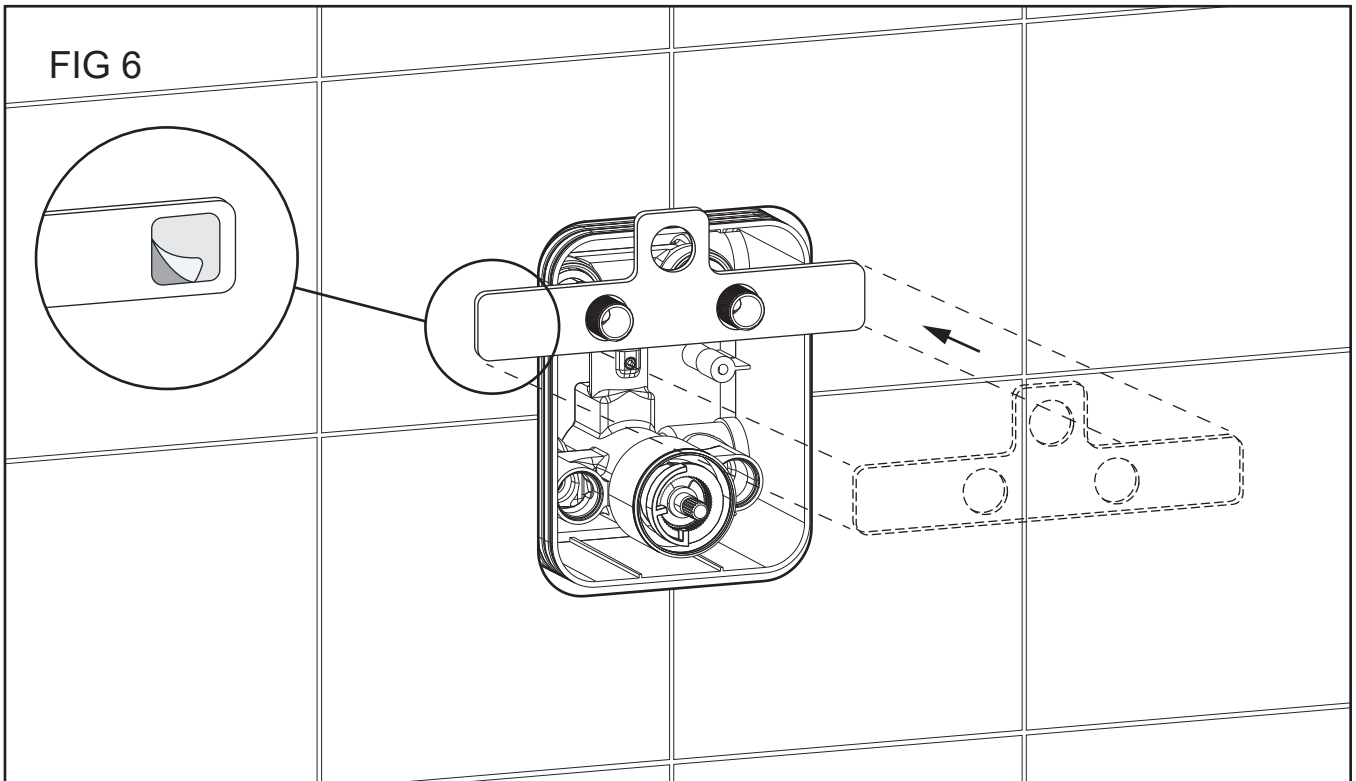


Close the wall and apply tiling ensuring that the 1/2" inlet connections are level with the finished wall surface.

INSTALLATION

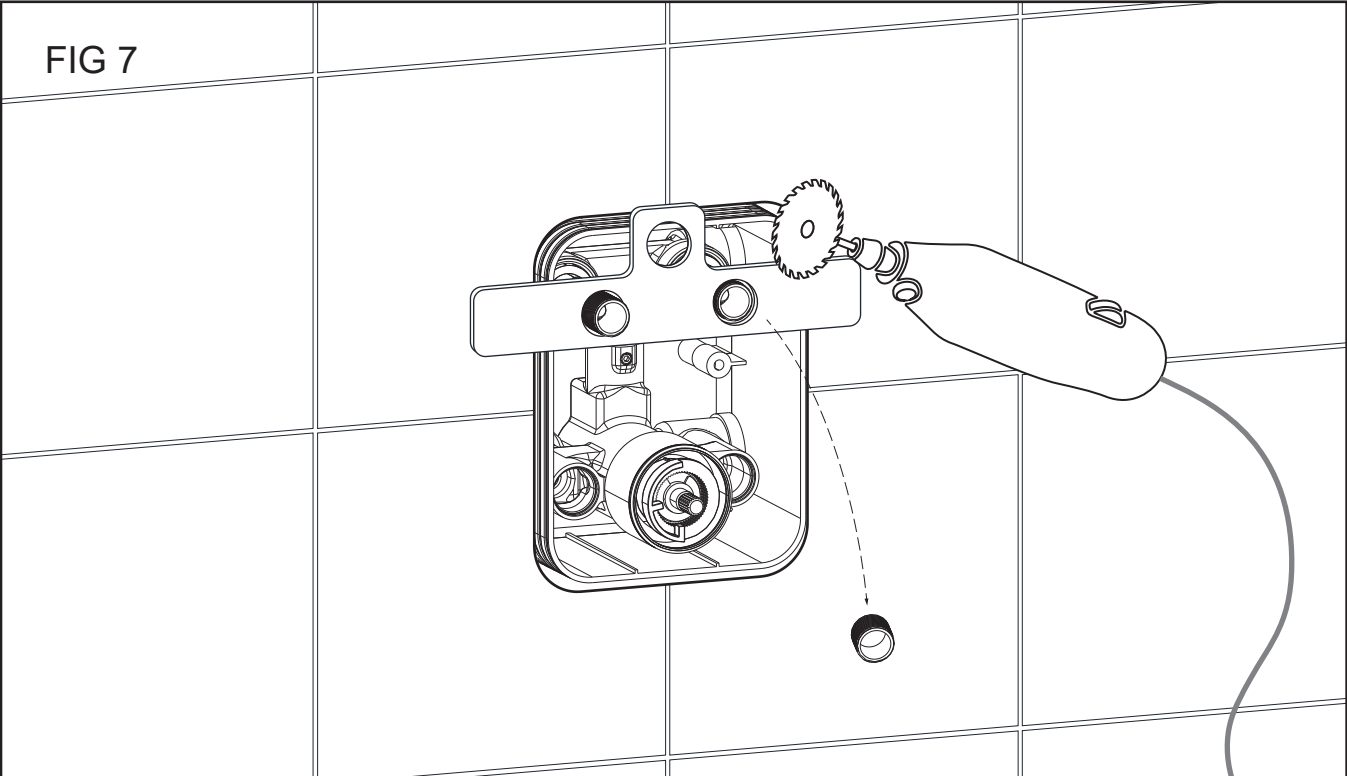


Cut away the remaining box to ensure that it is level with the finished wall surface.

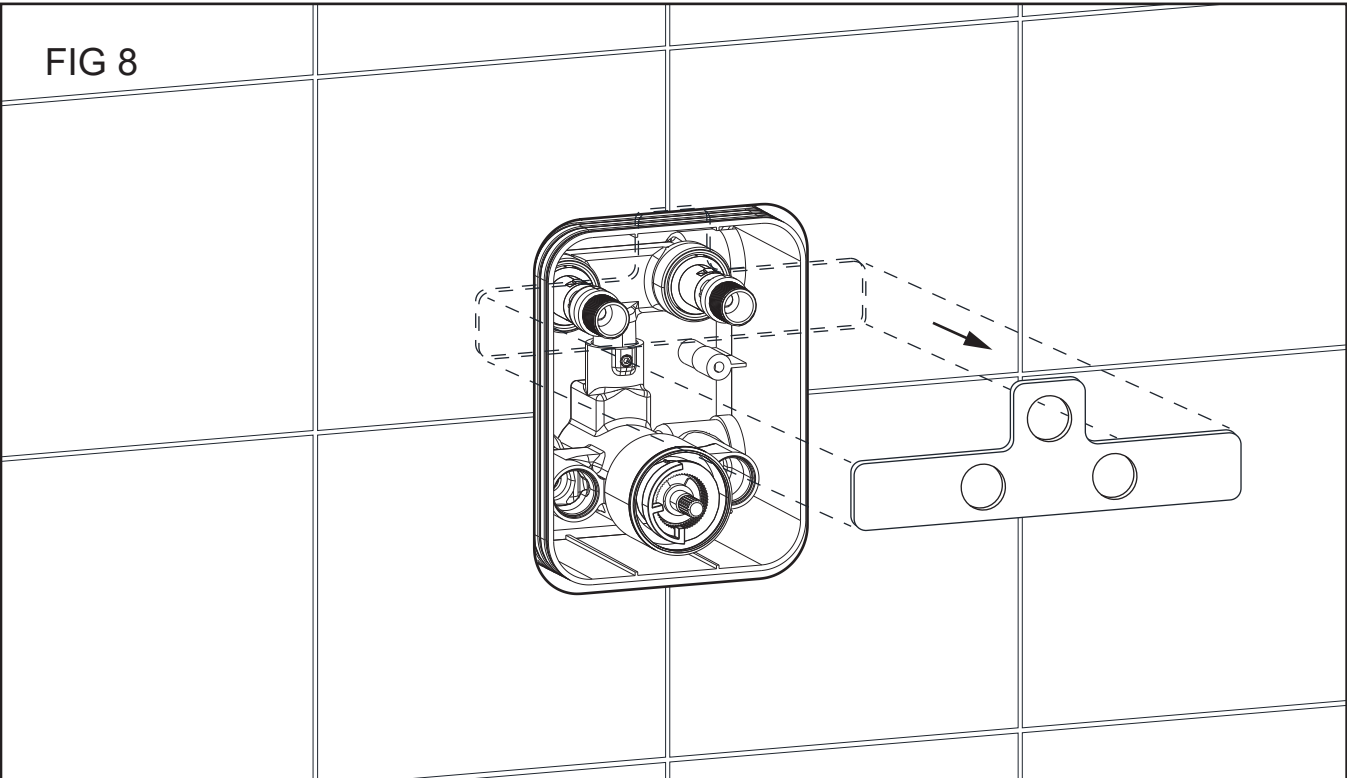


Peel the adhesive strips and attach the cutting guide plate on the wall.

INSTALLATION

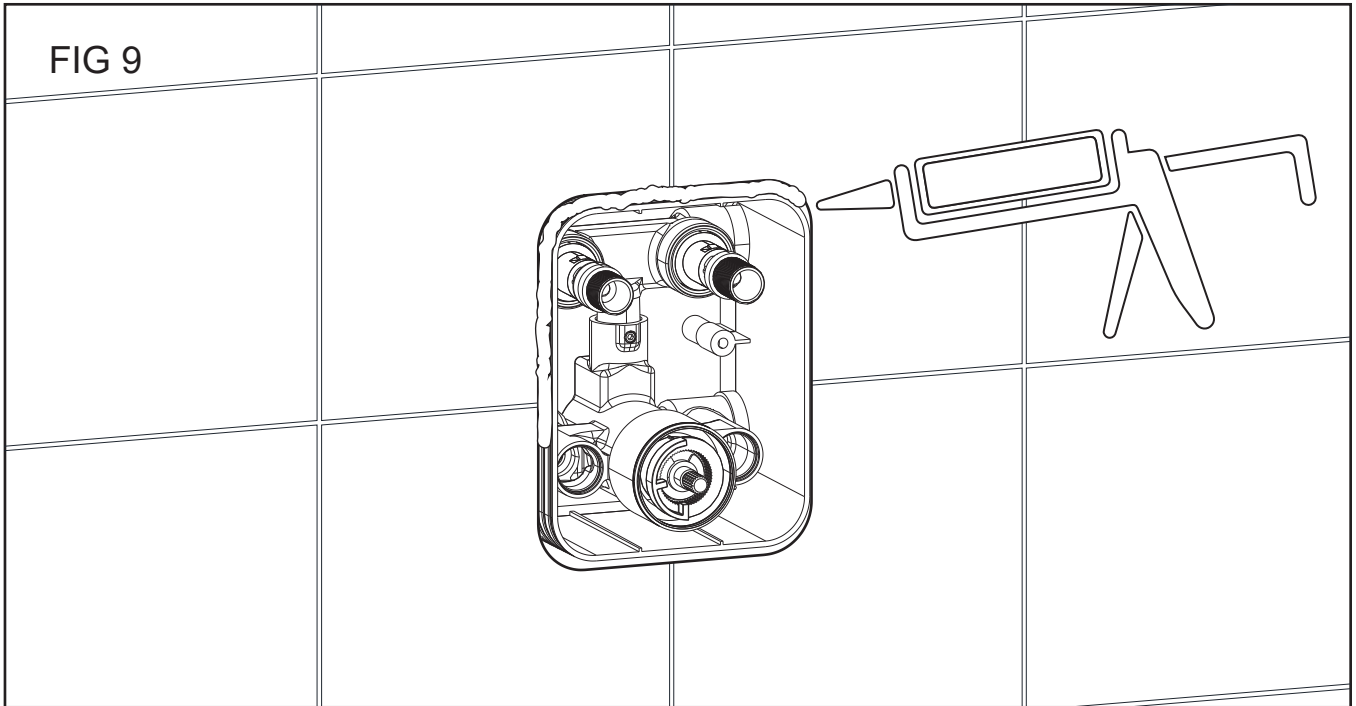


Cut the cartridge extension tube to same level as cutting guide plate.

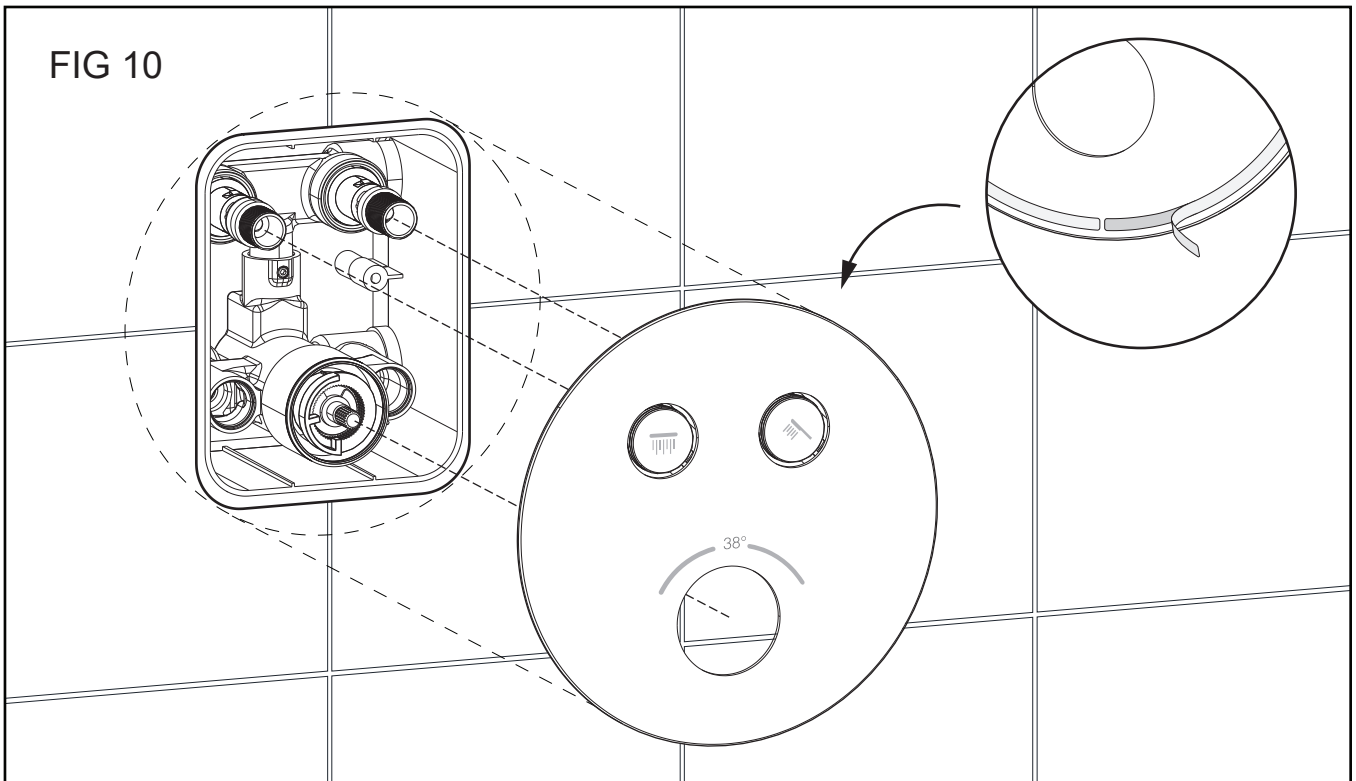


Remove the cutting guide plate from the wall.

INSTALLATION

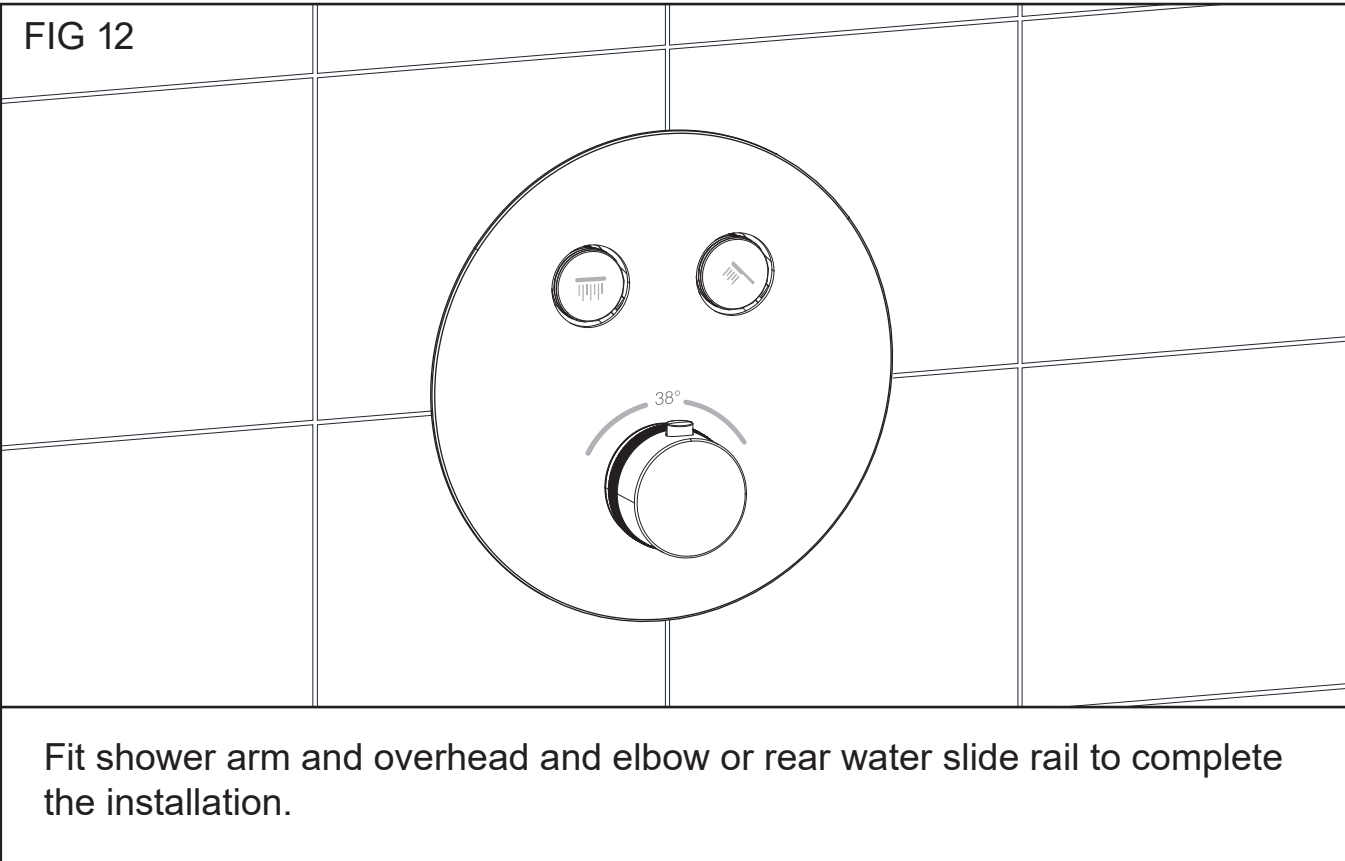
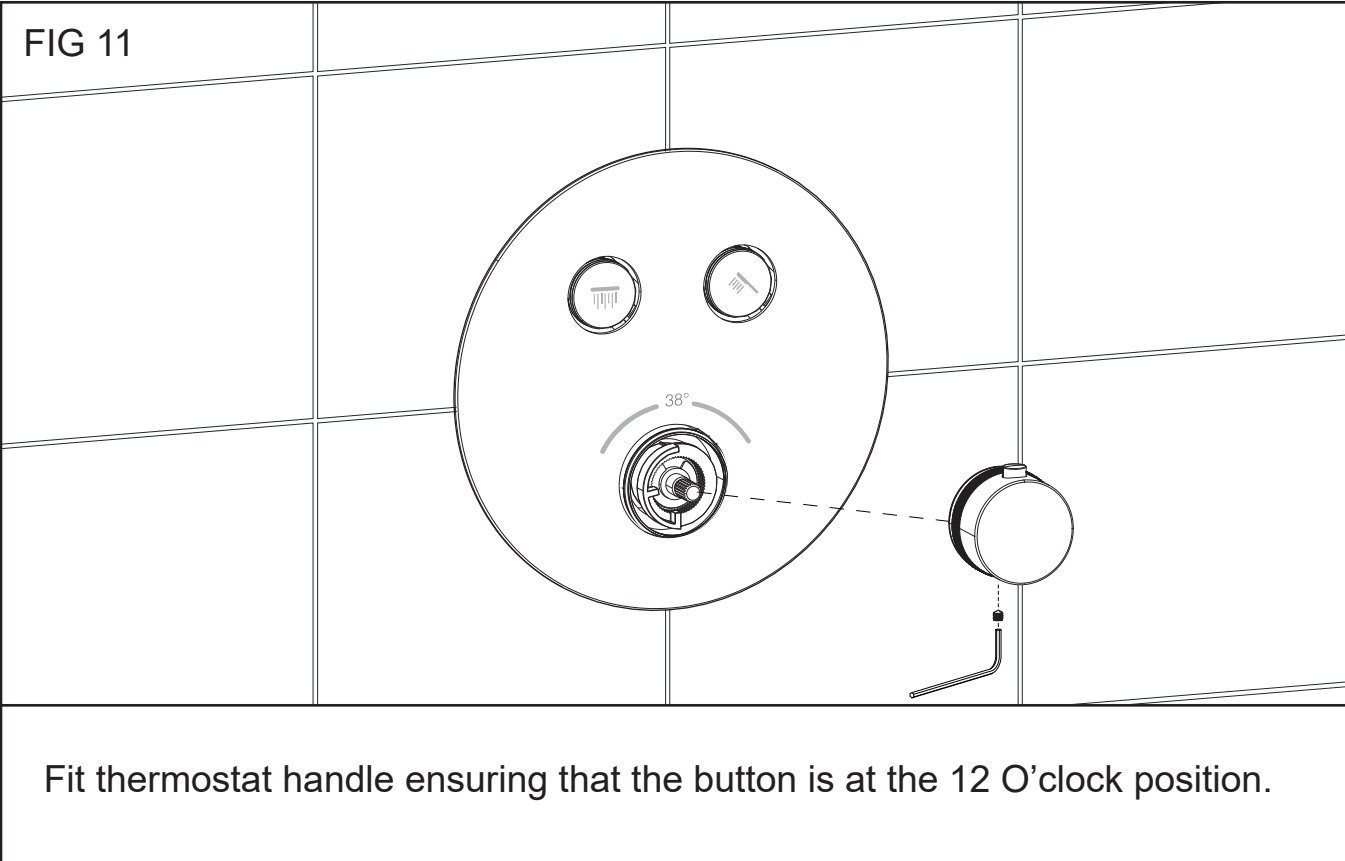


Apply silicone sealant around the outside edge of the box and tiles to ensure a watertight seal.



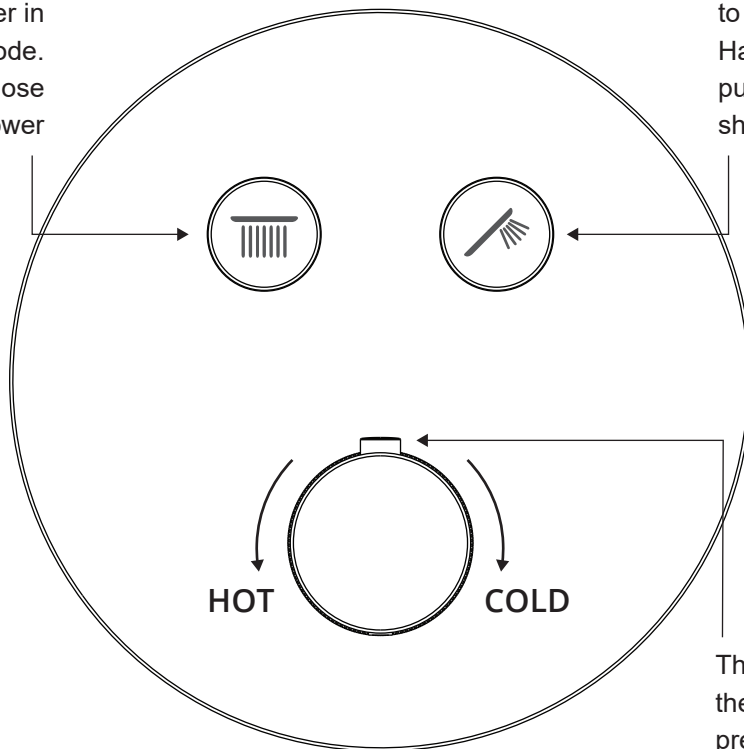
Remove sealing tape from rear of plate and push round or square plate onto faucet ensuring that it is level with the wall surface.

INSTALLATION



OPERATION

Push the button to start the shower in Overhead mode. push again to close the shower



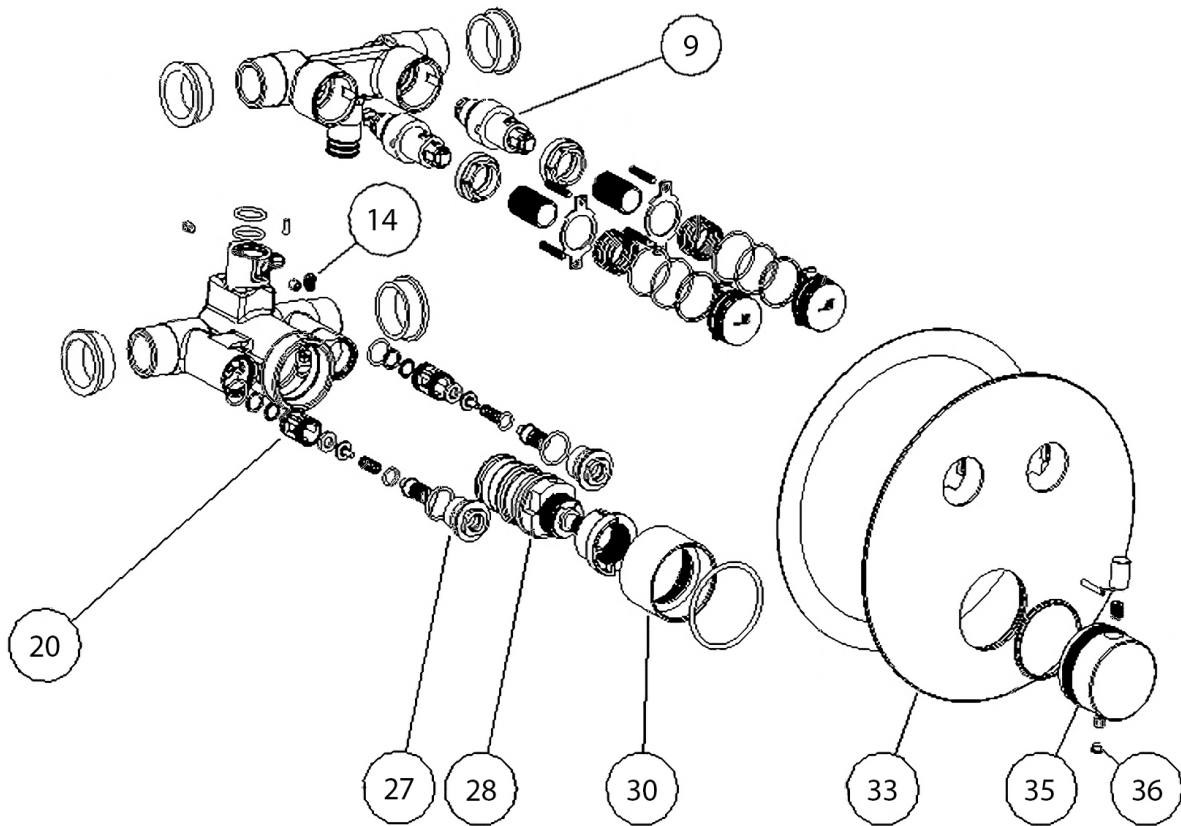
Push the button to start the shower in Hand Shower mode. push again to close the shower

HOT COLD

The Over-Ride button on the temperature handle is preset to provide 38 degrees at the 12 O'Clock position. Press and hold to increase outlet temperature

NOTE : Subject to available water pressure, if you Push both buttons at the same time, your One Touch shower will provide water to both Handshower and Overhead at the same time

MAINTAINANCE AND REPAIR



REPAIR

To remove the thermostat, loosen grub screw part 36 and pull of the Thermostat Handle part 35. Remove the face plate part 33

Your One Touch faucet is supplied with 2 integral isolating valves – see part 27

Place a flat head screwdriver into to the slot and rotate clockwise to close the water supply to both hot and cold inlets.

Loosen the grub screw part 14 and pull out the cartridge part 28. Insert the new cartridge ensuring that the alignment is current before refitting the faceplate and handle.

To remove the on off cartridge part 9 , rotate anticlockwise. Insert the new on off cartridge and rotate clockwise under fully tight

MAINTAINENCE

The check valves part 20 are located behind the isolating valves. These should be checked regularly in accordance with EN806 and also national / regional regulations at least once per year.

To guarantee the smooth running of the thermostat ,it is necessary from time to time to turn the thermostat from total Hot to total Cold.

FLOW RATES

TECHNICAL DATA

Operating Pressures : 0.1 to 0.5 MPa (0.5 MPa = 5 .0 bar = 73.5 PSI)

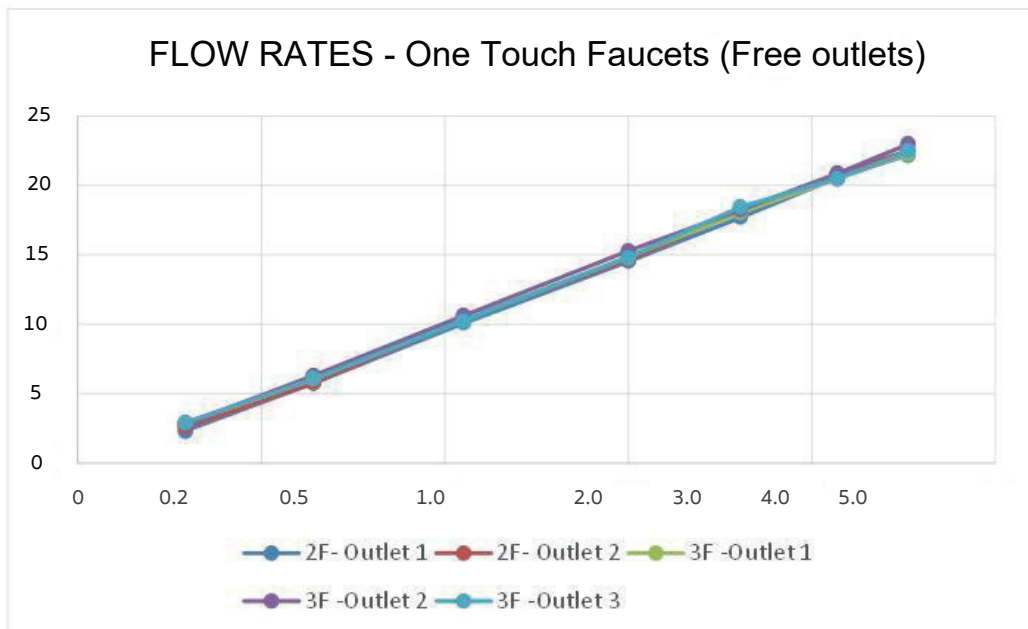
Cold water Temperatures : Should Not Exceed 30 Degrees

Hot Water Temperatures : Min 42 Degrees to 60 Degrees Maximum

FLOW RATES - One Touch Faucets

FREE OUTLET

Pressure bar (bar)		0.2	0.5	1	2	3	4	5
Flow rate	1F	2.94	6.42	10.5	15	18.06	20.7	22.62
Flow rate	2F- Outlet 1	2.34	5.76	10.08	14.52	17.7	20.58	22.2
	2F- Outlet 2	2.58	5.76	10.38	14.64	18.18	20.82	22.5
Flow rate	3F -Outlet 1	2.94	6.06	10.32	14.88	18.06	20.52	22.32
	3F -Outlet 2	2.82	6.3	10.62	15.3	18.24	20.88	22.98
	3F -Outlet 3	2.94	6.06	10.26	14.82	18.48	20.52	22.44



* Test by Free Outlet, Flow rate can various from pipe length, faucet, Handshower and Rainshower when installed

For information or service assistance, please contact the installer or the local distributor from where the shower was purchased.

FAULT DIAGNOSIS

Fault	Cause	Remedy
Insufficient water	• Supply pressure inadequate	• Check water pressure (If a pump has been installed check to see if the pump is working)
	• Regulator filter dirty	• Clean filter in front of the mixer and on the MTC-thermo cartridge
	• Shower filter seal dirty	• Clean filter seal between shower and hose
	• Filter insert shower dirty	• Clean filter seal between shower and hose
Crossflow, hot water being forced into cold water pipe, or vice versa when mixer is closed	• Backflow preventers dirty or leaking	• Clean backflow preventers, exchange if necessary
Spout temperature does not correspond with temperature set	• Thermostat has not been adjusted	• Adjust thermostat
	• Hot water temperature too low	• Increase hot water temperature to 42°C to 60°C
Safety stop button not operating	• Spring defective	• Clean spring, exchange if necessary
	• Button calcified	• Clean button, exchange if necessary
Valve stiff / Shower or spout dripping	• Stop valve DN9 damaged	• Exchange stop valve
Pushbutton cannot be actuated or is without function	• Safety guard of isolating valve has not been removed	• Remove safety guard from isolating valve
Pushbutton is jammed or stiff	• Seal needs greasing	• Grease the seal

CLEANING INSTRUCTIONS

CLEANING THE ONE TOUCH FAUCET

IMPORTANT : always clean the finished surface of your One Touch Faucet and showering products with warm soapy water , rinse with clean water and then dry with a soft cloth.

Never use cleaning materials, which contain hydrochloric acid, formic acid, concentrated caustic soda, chlorine or acetic acid, as they can cause considerable damage to the surface.

Mixing cleaning agents is not permitted, generally.

Never use cleaning materials or appliances with an abrasive effect, such as unsuitable cleaning powders, sponge pads or micro fibre cloths.

The building up of any calcium or limescale has to be removed by cleaning regularly.

The use of steam cleaners is not permitted. The high temperatures can damage the products.

Damage caused by the improper treatment or use of chemical cleaners will not invalidate any guarantee offered by the manufacturer or local distributor.

CLEANING THE SHOWER PRODUCTS

All Aquas showers have soft outlet nozzles and only needs a small manual rub over to remove the lime scale from the spray channels.

MANUFACTURER DETAILS

AQUABELLA SHOWER CO LTD

71/5 , Moo 17, T.Bangsaothong, Bangsaothong,
Samut Prakarn Province
10570 Thailand

LOCAL DISTRIBUTOR DETAILS

Bathe Pty Ltd

Head Office: 25 John Street, Leichhardt, NSW. 2040
t. 61 2 9509 0000 m. 61 414 993 624