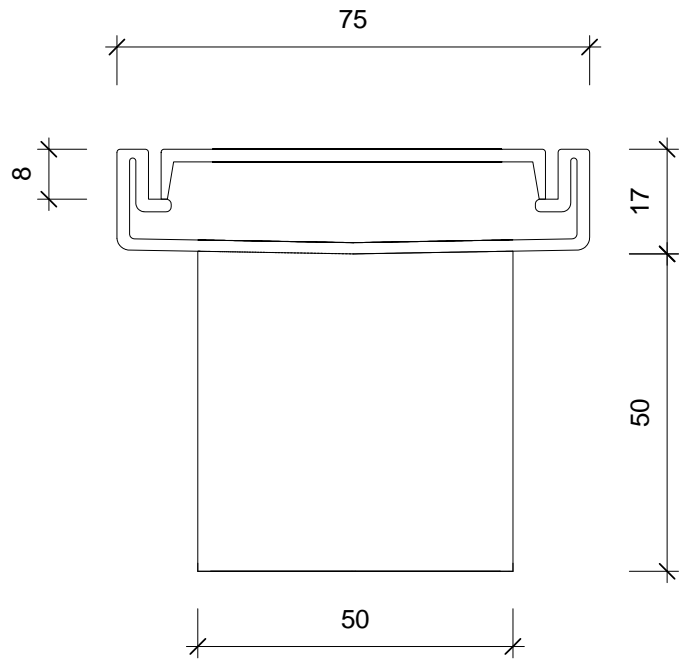
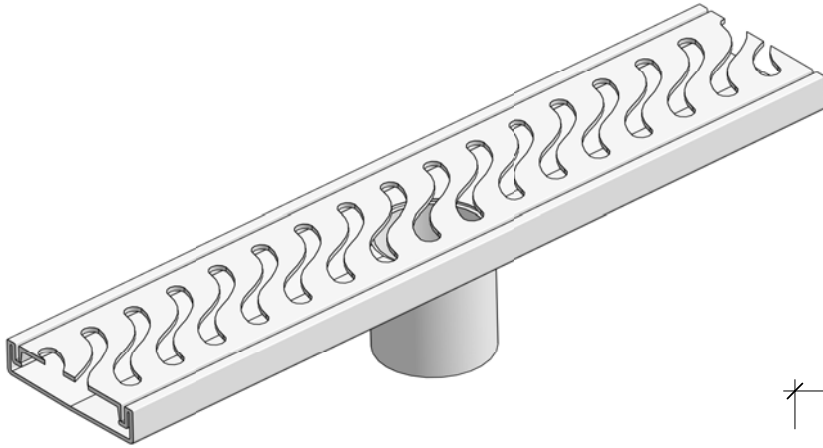
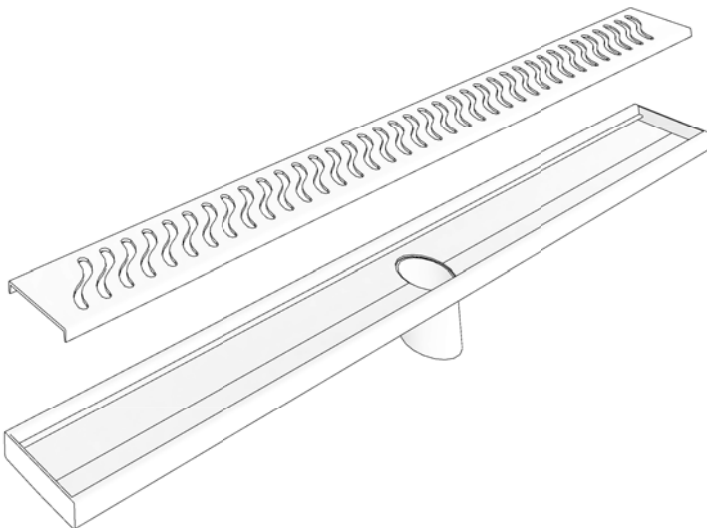
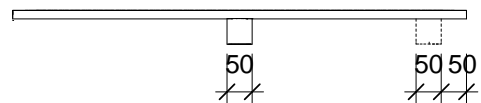


PUNCH HOLE PS SERIES

75MM WIDTH WITH 50MM OUTLET



OUTLET POSITION CAN BE
CENTRED OR END



FIX LENGTH	OUTLET POSISTION
600MM	CENTRE / END
800MM	CENTRE / END
900MM	CENTRE / END
1000MM	CENTRE / END
1200MM	CENTRE / END