



ثلاجة

دليل المستخدم

الموديل:

- RFHA-SD136DW1 ▲
- RFHA-SD136DS1 ▲

Refrigerator

User's Manual

Model:

- ▲ RFHA-SD136DW1
- ▲ RFHA-SD136DS1

الرجاء قراءة هذا الدليل بعناية قبل تشغيل الجهاز،
و احتفظ به للرجوع إليه مستقبلا.

هذه التصاميم و المواصفات عرضة للتغيير بهدف إدخال تحسينات عليها
و ذلك دون إشعار مسبق.

Please read this manual carefully before operating your set.
Retain it for future reference.

Designs and specifications are subject to change for improvement
without prior notice.

ISO9001 CB

ISO9001 CB





Models: RFHA-SD136DW1
RFHA-SD136DS1

Contents

Safety and warning information	2	Cleaning and care	13
First use and installation	8	Reversing the door	14
Description of the appliance	10	Troubleshooting	15
Operation	10	Dsposal of the appliance	16
Helpful hints and tips	12		



Safety and warning information

For your safety and correct usage, before installing and first using the appliance, read this user manual carefully, including its hints and warnings. To avoid unnecessary mistakes and accidents, it is important to make sure that all people using the appliance are thoroughly familiar with its operation and safety features. Save these instructions and be sure that they remain with the appliance if it is moved or sold, so that anyone using it throughout its life, will be properly informed on its usage and safety notices.

For the safety of life and property, keep the precautions of these user's instructions as the manufacturer is not responsible for damages caused by omission.

Safety for children and others who are vulnerable people

- According to EN standard
This appliance can be used by children aged from 8 years and above and persons with reduced physical, sensory or mental capabilities or lack of experience and knowledge if they have been given supervision or instruction concerning use of the appliance in a safe way and understand the hazards involved. Children shall not play with the appliance. Cleaning and user maintenance shall not be made by children without supervision.
According to IEC standard
This appliance is not intended for use by persons (including children) with reduced physical, sensory or mental capabilities, or lack of experience and knowledge, unless they have been given supervision or instruction concerning use of the appliance by a person responsible for their safety

- Keep all packaging away from children as there is risk of suffocation.
- If you are discarding the appliance, pull the plug out of the socket, cut the connection cable (as close to the appliance as you can) and remove the door to prevent children playing from suffering an electric shock or from closing themselves inside it.
- If this appliance, featuring a magnetic door seals, is to replace an older appliance having a spring lock (latch) on the door or lid, be sure to make the spring lock unusable before you discard the old appliance. This will prevent it from becoming a death trap for a child.

General Safety



- **WARNING** —This appliance is intended to be used in household and similar applications such as
 - staff kitchen areas in shops, offices and other working environments;
 - farm houses and by clients in hotels, motels and other residential type environments;
 - bed and breakfast type environments;
 - catering and similar non-retail applications.
- **WARNING** — Do not store explosive substances such as aerosol cans with a flammable propellant in this appliance.
- **WARNING** — If the supply cord is damaged, it must be replaced by the manufacturer, its service agent or similarly qualified persons in order to avoid a hazard.
- **WARNING** — Keep ventilation openings, in the appliance enclosure or in the built-in structure, clear of obstruction.
- **WARNING** — Do not use mechanical devices or other means to accelerate the defrosting process, other than those recommended by the manufacturer
- **WARNING** — Do not damage the refrigerant circuit.
- **WARNING** — Do not use electrical appliances inside the food storage compartments of the appliance, unless they are of the type recommended by the manufacturer

- **WARNING** — The refrigerant and insulation blowing gas are flammable. When disposing of the appliance, do so only at an authorized waste disposal centre. Do not expose to flame.
- **WARNING** —When positioning the appliance, ensure the supply cord is not trapped or damaged.
- **WARNING** —Do not locate multiple portable socket-outlets or portable power supplies at the rear of the appliance.

Replacing the illuminating lamps

- **WARNING**—The illuminating lamps must not be replaced by the user! If the illuminating lamps is damaged, contact the customer helpline for assistance.

This warning is only for refrigerators that contain illuminating lamps.

Refrigerant

The refrigerant isobutene (R600a) is contained within the refrigerant circuit of the appliance, a natural gas with a high level of environmental compatibility, which is nevertheless flammable. During transportation and installation of the appliance, ensure that none of the components of the refrigerant circuit becomes damaged.

The refrigerant (R600a) is flammable.

- **WARNING** — Refrigerators contain refrigerant and gases in the insulation. Refrigerant and gases must be disposed of professionally as they may cause eye injuries or ignition. Ensure that tubing of the refrigerant circuit is not damaged prior to proper disposal.



WARNING: risk of fire

If the refrigerant circuit should be damaged:

- A void opening flames and sources of ignition.
- Thoroughly ventilate the room in which the appliance is situated.

It is dangerous to alter the specifications or modify this product in any way.

Any damage to the cord may cause a shortcircuit, fire, and/or electric shock.



Electrical safety

- 1.The power cord must not be lengthened.
2. Make sure that the power plug is not crushed or damaged. A crushed or damaged power plug may overheat and cause a fire.
3. Make sure that you can access the main plug of the appliance.
4. Do not pull the main cable.
5. If the power plug socket is loose, do not insert the power plug. There is a risk of electric shock or fire.
- 6.You must not operate the appliance without the interior lighting lamp cover .
- 7.The fridge is only applied with power supply of single phase alternating current of 240~220V/50Hz. If fluctuation of voltage in the district of user is so large that the voltage exceeds the above scope, for safety sake, be sure to apply A.C. Automatic voltage regulator of more than 350W to the fridge. The fridge must employ a special power socket instead of common one with other electric appliances. Its plug must match the socket with ground wire.

Daily use

- Do not store flammable gass or liquids in the appliance, There is a risk of an explosion.
- Do not operate any electrical appliances in the appliance (e.g.electric ice cream makers,mixers etc.).
- When unplugging always pull the plug from the mains socket,do not pull on the cable.
- Do not place hot items near the plastic components of this appliance.

- Do not place food products directly against the air outlet on the rear wall.
- Store pre-packed frozen food in accordance with the frozen food manufacture's instructions.
- The appliances manufactures storage recommendations should be strictly adhered to.Refer to relrelevant instructions for storage.
- Do not place carbonated or fizzy drinks in the freeze compartment as it creates pressure on the container ,which may cause it to explode,resulting in damage to the appliance.
- Frozen food can cause frost burns if consumed straight from the freezer compartment.
- Do not place the appliance in direct sunlight.
- Keep burring candles,lamps and other items with naked flames away from the appliance so that do not set the appliance on fire.
- The appliance is intended for keeping food stuff and/or beverages in normal household as explained in this instruction booklet The appliance is heavy.Care should be taken when moving it.
- Do not remove nor touch items from the freezer compartment if your hands are damp/wet,as this could cause skin abrasions or frost/freezer burns.
- Never use the base,drawers, doors etc. to stand on or as supports.
- Frozen food must not be refrozen once it has been thawed out.
- Do not consume ice popsicles or ice cubes straight from the freezer as this can cause freezer burn to them mouth and lips.
- To avoid items falling and causing injury or damage to the appliance, do not overload the door racks or put too much food in the crisper drawers.

caution!

Care and cleaning

- Before maintenance, switch of the appliance and disconnect the mains plug from the mains socket.
- Do not clean the appliance with metal objects, steam cleaner, ethereal oils, organic solvents or abrasive cleansers.
- Do not use sharp objects to remove frost from the appliance. Use a plastic scraper.

Installation Important!

- For electrical connection carefully , follow the instructions given in this manual. Unpack the appliance and check if there are damages on it.
- Do not connect the appliance if it is damaged. Report possible damages immediately to the place you bought it. In this case retain packing.
- It is advisable to wait at least four hours before connecting the appliance to allow the oil to flow back in the compressor
- Adequate air circulation should be around the appliance, lacking this leads to overheating. To achieve sufficient ventilation, follow the instructions relevant to installation.
- Wherever possible the back of the product should not be too close to a wall to avoid touching or catching warm parts (compressor, condenser) to prevent the risk of a fire, follow the instructions relevant to installation.
- The appliance must not be locate close to radiators or cookers.
- Make sure that the mains plug is accessible after the installation of the appliance.

Service

- Any electrical work required to do the servicing of the appliance should be carried out by qualified electrician or competent person.
- This product must be serviced by an authorized Service Center, and only genuine spare parts must be used.
 - 1)If the appliance is Frost Free.
 - 2)If the appliance contains freezer compartment.

First use and Installation

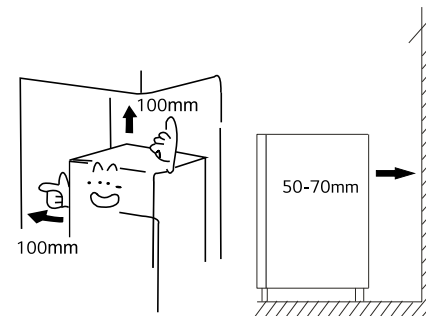
Cleaning before use

- Before using the appliance for the first time, wash the interior and all internal accessories with lukewarm water and some neutral soap so as to remove the typical smell of a brand new product, then dry thoroughly.

Important! Do not use detergents or abrasive powders, as these will damage the finish.

Important! It is necessary to have good ventilation around the refrigerator to allow for the dissipation of heat, high efficiency, and low power consumption. For this reason, sufficiently cleared space should be available around the refrigerator. It is advisable for there to be 50-70mm separating the back of the refrigerator to the wall at least 100mm of space on its two sides, a height of over 100mm from its top and a clear space in front to allow the doors to open °180.

Appliances must not be exposed to rain. Sufficient air must be allowed to circulate in the low rear section of the appliance, as poor air circulation can affect performance. Built-in appliances should be positioned away from heat sources such as heaters and direct sunlight.



Installation Positioning

Warning! Before installing, read the instruction carefully for your safety and correct operation of the appliance.

- Position the appliance away from sources of heat such as stoves, radiators, direct sunlight etc.
- Maximum performance and safety are guaranteed by maintaining the correct indoor temperature for the class of unit concerned, as specified on the rating plate.

Sufficient air must be allowed to circulate in the lower rear section of appliances, as poor air circulation can affect performance.

- Appliances must not be exposed to rain. Sufficient air must be allowed to circulate in the lower rear section of the appliance, as poor air circulation can affect performance. Built-in appliances should be positioned away from heat sources such as heaters and direct sunlight.

Installing the rubber supporting pad

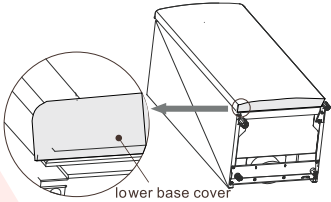
● If there is a rubber supporting pad and a screw provided in a plastic bag with your appliance, you can install these accessories according to the following procedure.

● **Note:**

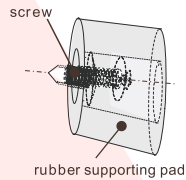
There is no need to install these accessories under normal usage.

Only under the extreme circumstances, cabinet empty while load on door with total mass of 10 kg and opening the door about 90 degree, this refrigerator may take risk of tipping. Then rubber supporting pad should be fastened to the lower base cover to steady this appliance.

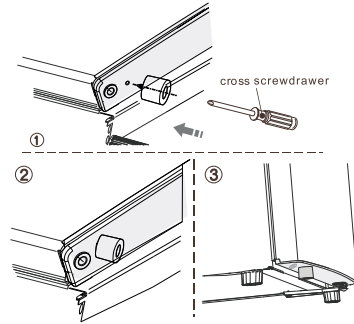
1. Tilt appliance to find screw hole on the left of lower base cover.



2. Put screw into the hole of rubber supporting pad.



3. Make screw in alignment with the hole on lower base cover. Fasten rubber supporting pad to the base cover firmly by a cross screw driver (self-provided).



Leveling

● The appliance should be level in order to eliminate vibration. To make the appliance level, it should be upright and both adjusters should be firmly contacted with the floor. You can also adjust the level by screwing out the appropriate level adjuster at the front (use your fingers or a suitable spanner).

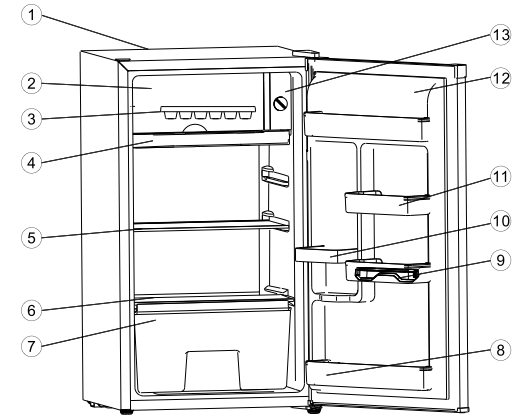
Electrical connection

Caution! Any electrical work required to install this appliance should be carried out by a qualified or competent person.

Warning! This appliance must be earthed. The manufacture declines any liability should these safety measures not be observed.

Description of the appliance

1. Cabinet
2. Small fridge compartment door
3. Ice Cube Tray (optional)
4. Defrosting tray
5. Removable shelf
6. Crisper box cover part
7. Crisper drawer (optional)
8. Lower rack
9. Egg tray (optional)
10. Bottle holder
11. Small rack
12. Refrigerator door
13. Temperature regulator



Note: Due to continual modification of our products, your refrigerator may be slightly different from this instruction Manual, but its functions and usage methods remain the same.

Operation

Starting up and temperature regulation

Insert the plug of the connection lead into the plug socket with protective earth contact. The temperature selector knob is located on the side of the freezer compartment.

Setting "0" means

Turning the temperature control to "0" position stops the cooling cycle, but does not shut off the power to the refrigerator.

Turning clockwise in direction Refrigerating unit on, the latter then operating automatically. If the unit is unplugged, power lost, or turned off, you must wait 3 to 5 minutes before restarting the unit. If you attempt to restart before this time delay, the refrigerator will not start.

Setting "8" (end-stop) means:

Lowest temperature, coldest setting.

Important!

Normally we advise you select setting of 3 or 4, if you want the temperature warmer or colder please turn the knob to lower or higher setting accordingly.

When you turn the knob to lower which can lead to the more energy efficiency. Otherwise, it would result the energy-consuming.

Important!

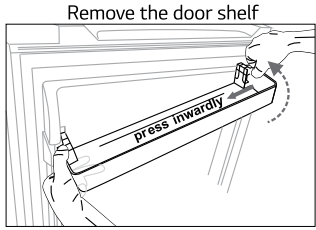
High ambient temperatures (e.g. on hot summer days) and a colder setting (position 6 to 8) on the temperature regulator can cause the compressor to run continuously or even non-stop!

Reason: when the ambient temperature is high, the compressor must run continuously to maintain the low temperature in the appliance.



Remove and install the door shelf

Warning: The door shelf must not be removed and installed by the user! If the door shelf is damaged, contact the customer helpline for assistance. To replace the door shelf, the below steps can be followed:



Press the right side of the door shelf inwardly, while holding the left side. When the notch of the shelf has been detached from the refrigerator door, remove the rack obliquely upwardly.



Firstly tilt the left side of the door shelf, and make sure the notch has been fastened to the door. Then press the right side inwardly, push it down to the right place.

Using your appliance

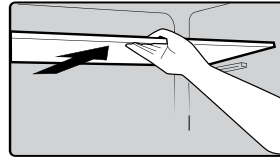
Your appliance has the accessories as the "Description of the appliance" showed in general, with this instruction you can have the right way to use them.

Door shelf

- It is suitable for the storage of egg, canned liquid, bottled drinks and packed food, etc. Do not place too many heavy things in the shelf.

Shelf in Refrigerator chamber

- There are shelves in refrigerator chamber, and they can be taken out to be cleaned.



Ice making compartment

- This is a low temperature compartment intended specifically for the freezing and storage of ice. It could make 250g ice within 24 hours.

Helpful hints and tips

Energy saving tips

We recommend that you follow the tips below to save energy.

- Try to avoid keeping the door open for long periods in order to conserve energy.
- Ensure the appliance is away from any sources of heat (Direct sunlight, electric oven or cooker etc)
- Don't set the temperature colder than necessary.
- Don't store warm food or evaporating liquid in the appliance.
- Place the appliance in a well ventilated, humidity free, room. Please refer to Installing your new appliance chapter.
- If the diagram shows the correct combination for the drawers, crisper and shelves, do not adjust the combination as this is designed to be the most energy efficient configuration.

Hints for fresh food refrigeration

- Do not place hot food directly into the refrigerator or freezer, the internal temperature will increase resulting in the compressor having to work harder and will consume more energy.
- Do cover or wrap the food, particularly if it has a strong flavor.
- Place food properly so that air can circulate freely around it.

Hints for refrigeration

- Meat (All Types) Wrap in polythene food: wrap and place on the glass shelf above the vegetable drawer. Always follow food storage times and use by dates suggested by manufacturers.
- Cooked food, cold dishes, etc.: They should be covered and may be placed on any shelf.
- Fruit and vegetables: They should be stored in the crisper box
- Butter and cheese: Should be placed aluminum foil or polyethylene(plastic) bags while removing as much air as possible.
- Milk bottles: Should have a lid and be stored in the door shelf.

Hints for freezing

- When first starting-up or after a period of use, let the appliance run at least 2 hours on the higher settings before putting food in the compartment.
- Prepare food in small portions to enable it to be rapidly and completely frozen and to make it possible to subsequently thaw only the quantity required.
- Wrap up the food in aluminum foil or polyethylene food wraps which are airtight,
- Do not allow fresh, unfrozen food to touch the food which is already frozen to avoid temperature rise of the latter.
- Iced products, if consumed immediately after removal from the freezer compartment, will probably cause frost burns to the skin.
- It is recommended to label and date each frozen package in order to keep track of the storage time.

Hints for the storage of frozen food

- Ensure that frozen food has been stored correctly by the food retailer
- Once defrosted, food will deteriorate rapidly and should not be re-frozen. Do not exceed the storage period indicated by the food manufacturer.

Switching off your appliance

If the appliance needs to be switched off for an extended period, the following steps should be taken prevent mould on the appliance.

1. Remove all food.
2. Remove the power plug from the mains socket.
3. Clean and dry the interior thoroughly.
4. Ensure that all the doors are wedged open slightly to allow air to circulate.

Cleaning and care

Cleaning and Care

For hygienic reasons the appliance interior, including interior accessories, should be cleaned regularly.

The fridge should be cleaned and maintained at least every two months.



Warning! Danger of electrical shock!

- The appliance should not be connected to the mains during cleaning. Before cleaning switch the appliance off and remove the plug from the mains, or switch off or turn out the circuit breaker or fuse.

Important!

- Remove the food from the appliance before cleaning. Store them in a cool place, well covered.
- Never clean the appliance with a steam cleaner. Moisture could accumulate in electrical components,
- Hot vapors can lead to the damage of plastic parts.
- Ethereal oils and organic solvents can attack plastic parts, e.g. lemon juice or the juice from orange peel, butyric acid, cleanser that contain acetic acid. Do not allow such substances to come into contact with appliance parts.
- Do not use any abrasive cleansers.
- Clean the appliance and the interior accessories with a cloth and lukewarm water. Commercially available dish washing detergents may also be used.
- After cleaning wipe with fresh water and clean dish cloth.

- Accumulation of dust at the condenser increases energy consumption, clean the condenser at the back of the appliance once a year with a soft brush or a vacuum cleaner.
- Clear a blocked drain hole with the aid of something like soft green peg, be careful not to make any damage to the cabinet by sharp things.
- After everything is dry place appliance back into service.

Defrosting

Why defrosting

- Water contained in food or air getting into inside while the fridge be opening doors may form a frost layer inside. It will weaken the refrigeration when the frost is thick. While it is more than 10mm thick, you should defrost.

Defrosting in fresh food storage compartment

- It is automatically controlled by switching the temperature regulator on or off so that there is no need of operation of defrosting. Water from defrosting will be drained to the defrosting tray automatically. Then you need to put away the water of the defrosting tray and clean the refrigerator inside after defrosting.
- **Warning!** You need to raise the defrosting tray before you remove it.
- **Warning!** Switching off the appliance before defrosting, turn the temperature regulator to position "0".
- **Important!** The fridge should be defrosted at least every one month. During the using process, if the door was opened frequently or using the appliance in the extreme humidity, we advise the user to defrost every two weeks.

Reversing the door

The side at which the door opens can be changed from the right side (as supplied) to the left side, if the installation site requires.

Tools you will need:

1. 8mm socket driver.



2. Cross-shaped screwdriver.

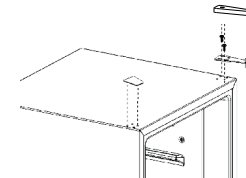


3. Putty knife or thin-blade screwdriver.

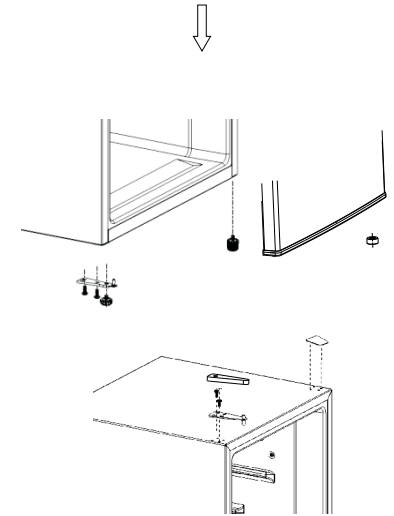
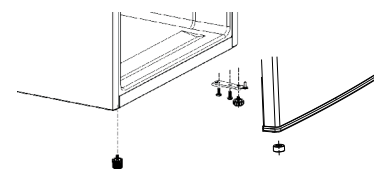


Before you start lay the refrigerator on its back in order to gain access to the base, you should rest it on soft foam packaging or similar material to avoid damaging the cooling pipes at the rear of the refrigerator.

1. Remove the upper hinge core, transfer it to left side and tighten securely, then put it in a safe place.



2. Remove both adjustable feet, the bottom hinge bracket and the rubber supporting pad by unscrewing the bolts, then fit them on by the following pictures.



3. Replace the lid by fitting the upper hinge core into the upper door's hole, securing it with the 2 screws. Replace the screw covers.

Warning!

When changing the side at which the door opens, the appliance must not be connected to the mains. Remove plug from the mains beforehand.

Troubleshooting

If you experience a problem with your appliance or are concerned that the appliance is not functioning correctly, you can carry out some easy checks before calling for service, please see below. You can carry out some easy checks according to this section before calling for service.

Warning! Don't try to repair the appliance yourself. If the problem persists after you have made the checks mentioned below, contact a qualified electrician, authorized service engineer or the shop where you purchased the product.

Problem	Possible cause	Solution
Appliance does not work.	Appliance is not switched on.	Switch on the appliance.
	Mains plug is not plugged in or is loose.	Insert mains plug.
	Fuse has blown or is defective.	Check fuse, replace if necessary.
	Socket is defective.	Mains malfunctions are to be corrected by an electrician.
Appliance cools too much.	Temperature is not properly adjusted.	Please look in the "initial Start Up" section.
The food is too warm.	Door was open for an extended period.	Open the door only as long as necessary.
	A large quantity of warm food was placed in the appliance within the last 24 hours.	Turn the temperature regulation to a colder setting temporarily.
	The appliance is near a heat source.	Please look in the "installation location" section.
Heavy build-up of frost, possibly also on the door seal.	Door seal is not air-tight (possibly after reversing the door).	Carefully warm the leaking sections of the door seal with a hair dryer (on a cool setting). At the same time shape the warmed door seal by hand such that it sits correctly.
Unusual noises.	Appliance is not level.	Readjust the feet.
	The appliance is touching the wall or other objects.	Move the appliance slightly.
	A component, e.g. a pipe, on the rear of the appliance is touching another part of the appliance or the wall.	If necessary, carefully bend the component out of the way.
The compressor does not start immediately after changing the temperature setting.	This is normal, no error has occurred.	The compressor starts after a period of time.
Water on the floor or storage shelves.	Water drain hole is blocked.	See the "cleaning and care" section.

Disposal of the appliance

It is prohibited to dispose of this appliance as household waste.


Packaging materials

Packaging materials with the recycle symbol are recyclable. Dispose of the packaging into a suitable waste collection container to recycle it.

Before disposal of the appliance

1. Pull out the mains plug from the mains socket.
2. Cut off the power cord and discard with the mains plug.

Warning! Refrigerators contain refrigerant and gases in the insulation. Refrigerant and gases must be disposed of professionally as they may cause eye injuries or ignition. Ensure that tubing of the refrigerant circuit is not damaged prior to proper disposal.

	Correct Disposal of this product
	This symbol on the product or in its packing indicates that this product may not be treated as household waste. Instead, it should be taken to the appropriate waste collection point for the recycling of electrical and electronic equipment. By ensuring this product is disposed of correctly, you will help prevent potential negative consequences for the environment and human health, which could otherwise be caused by the inappropriate waste handling of this product. For more detailed information about the recycling of this product, please contact your local council your household waste disposal service, or the shop where you purchased the product.

التخلص من التلّاجة

نصائح لتوفير الطاقة

يُحضر التخلص من التلّاجة مع النفايات المنزلية العادية.


مواد التغليف

يمكن إعادة تدوير مواد التغليف التي تحمل رموز إعادة التدوير. تخلص من مواد التغليف من خلال وضعها في الحاويات المخصصة لغرض إعادة التدوير.

قبل التخلص من الجهاز

1. اسحب قابس الجهاز من مأخذ الكهرباء الرئيسي.
2. اقطع سلك الطاقة وتخلص منه مع القابس الرئيسي.

تحذير! تحتوي التلّاجات على وسيط التبريد وغازات، ويجب التخلص منها بطريقة صحيحة لأنها قد تتسبب بإصابات في العين أو نشوب حريق. تأكد من أن أنابيب دائرة وسيط التبريد ليست تالفة قبل التخلص منها بصورة سليمة.

التخلص الصحيح من هذا المنتج	
<p>تشير هذه العلامة - الموجودة على الجهاز أو التغليف الخارجي - إلى أنه لا يجب التخلص من هذا المنتج مع النفايات المنزلية العادية. وبدلاً من ذلك، ينبغي نقله إلى نقطة جمع النفايات المناسبة لإعادة تدوير المعدات الكهربائية والالكترونية. من خلال ضمان التخلص من هذا المنتج بشكل صحيح، سوف تساعد على منع العواقب السلبية المحتملة على البيئة وصحة الإنسان، والتي قد تكون بسبب خلاف ذلك ناتجة عن معالجة النفايات غير المناسبة لهذا المنتج. للحصول على معلومات أكثر تفصيلاً حول إعادة تدوير هذا المنتج، يرجى الاتصال بالجهة المحلية المختصة أو بخدمة التخلص من النفايات المنزلية أو المتجر الذي اشتريته منه الجهاز.</p>	

استكشاف الأعطال وإصلاحها

إذا واجهت مشكلة في الجهاز أو شعرت بالقلق لأن الجهاز لا يعمل بشكل صحيح، يمكنك تنفيذ بعض الفحوصات السهلة وفقاً لهذا القسم قبل الاتصال بمركز الخدمة. وإذا استمرت المشكلة بعد إجراء الفحوصات الواردة أدناه، اتصل بكهربائي مؤهل، أو مهندس الخدمة المعتمد، أو المحل الذي اشتريته منه المنتج.

المشكلة	السبب المحتمل	السبب المحتمل
الجهاز لا يعمل.	شغل الجهاز.	الجهاز ليس بوضع التشغيل.
	وضّل سلك الطاقة بمقبس الكهرباء بشكل صحيح.	سلك الطاقة غير متصل بمقبس الكهرباء أو مرتخياً.
	تحقق من المصاهر، واستبدلها إن لزم الأمر.	خلل في المصاهر (فيوز).
	معالجة الخلل من قبل كهربائي مختص.	خلل في مقبس الكهرباء.
تكون طبقة سميكة من الثلج مع احتمالية تكونه	راجع قسم "التشغيل الأولي".	درجة الحرارة لم يتم ضبطها بالشكل الصحيح.
	افتح باب التلّاجة فقط عند الحاجة.	افتح باب التلّاجة لفترة زمنية طويلة.
درجة حرارة الطعام دافئة جداً.	اضبط درجة الحرارة على درجة أبرد مؤقتاً.	وضع كميات كبيرة من الطعام الدافئ في التلّاجة خلال آخر 24 ساعة.
	راجع قسم "موقع التركيب".	الثلّاجة بالقرب من مصدر للحرارة.
على الحلقة المطاطية المحيطة بالباب.	استخدم مجفف شعر (بوضع بارد) لتدفئة الاقسام التي تسبب التسرب في الحلقة المطاطية للباب. وفي الوقت ذاته، قم بتشكيل الحلقة المطاطية بيدك بعد تدفئتها لوضعها بالشكل الصحيح.	الحلقة المطاطية للباب ليست فحكمة للهواء (بما بعد تغيير اتجاه الباب).
ضوضاء غير طبيعية.	اضبط المساند.	الجهاز غير مستوي.
	حرك التلّاجة قليلاً.	ملامسة الجهاز للحائط أو أجسام أخرى.
	أحد الأجزاء، مثل أنبوب في القسم الخلفي للجهاز، يلامس جزء آخر للجهاز أو الحائط.	أحد الأجزاء، مثل أنبوب في القسم الخلفي للجهاز، يلامس جزء آخر للجهاز أو الحائط.
الضاغط لا يبدأ بالعمل مباشرة بعد تغيير درجة الحرارة.	يبدأ الضاغط بالعمل بعد فترة زمنية معينة.	هذا أمر طبيعي، لا توجد مشكلة.
وجود ماء على الأرضية أو ارفق التخزين.	راجع قسم "التنظيف والعناية".	فتحة تصريف المياه مسدودة.

للحفاظ على النظافة العامة، ينبغي تنظيف الجهاز من الداخل مع الملحقات الداخلية بانتظام.
يجب تنظيف الثلجة على الأقل مرة كل شهرين.



تحذير! خطر الصدمة الكهربائية!

يجب عدم توصيل الجهاز بمصدر التيار الرئيسي أثناء التنظيف. قبل التنظيف، أوقف تشغيل الجهاز وأزل القابس من مقبس التيار الكهربائي الرئيسي.

هام!

- اخرج الطعام من الثلجة قبل التنظيف، وقم بتخزينه في مكان بارد وتغطيته جيداً.
- لا تستخدم مطلقاً منظف بخاري في تنظيف الثلجة. يمكن أن تتراكم الرطوبة في الأجزاء الكهربائية.
- قد تتسبب الأبخرة الساخنة في تلف الأجزاء البلاستيكية.
- قد تتسبب الزيوت الأثيرة والمذيبات العضوية في تلف الأجزاء البلاستيكية، مثل عصير الليمون، والعصير من قشرة البرتقال، وحامض البوتريك، والمنظفات التي تحتوي على حامض الأسيتيك. احرص على عدم ملامسة أي من هذه المواد بالأجزاء البلاستيكية للثلجة.
- لا تستخدم أي منظفات كاشطة.
- نظف الثلجة من الداخل والملحقات الداخلية باستخدام قطعة قماش وماء فاتر. يمكن أيضاً استخدام المنظفات الخاصة بغسالات الصحون.
- بعد التنظيف، امسح بقطعة قماش نظيفة وماء.

• تجمّع الغبار على المكثف يزيد من استهلاك الطاقة الكهربائية. احرص على تنظيف المكثف الموجود في الجزء الخلفي للثلجة مرة واحدة سنوياً باستخدام فرشاة ناعمة أو مكنسة كهربائية.

• نظف فتحة التصريف المسدودة بمساعدة أداة ما، مثل عصا ناعمة. احرص على عدم إلحاق أي ضرر بالثلجة من خلال استخدام أدوات حادة.
• بعد تجفيف جميع الأسطح والأجزاء، يمكنك تشغيل الثلجة مرة أخرى.

تذويب الثلج لماذا التذويب

• قد يشكل الماء الموجود في الطعام أو العالق بالهواء داخل الثلجة عن طريق فتح الأبواب طبقة من الثلج في الداخل. وسيضعف التبريد عندما يكون الثلج سميكاً. ينبغي القيام بعملية التذويب عندما يكون سمك الثلج أكثر من 10 مم.

التذويب في حجرة تخزين الأطعمة الطازجة

• يتم التحكم تلقائياً من خلال تشغيل أو إيقاف منظم درجة الحرارة، وبذلك ليس هناك ضرورة للقيام بعملية التذويب. سيتم تصريف الماء الناتج عن التذويب تلقائياً لصينية التذويب. وبعدها ينبغي عليك التخلص من الماء في صينية التذويب وتنظيف الثلجة من الداخل بعد التذويب.

• **تحذير!** ينبغي عليك رفع صينية التذويب قبل إزالتها.
• **تحذير!** احرص على إيقاف تشغيل الثلجة قبل التذويب، وضبط درجة الحرارة على "0".

• **هام!** يجب القيام بعملية التذويب على الأقل مرة كل شهر. وفي بعض الحالات، مثلاً إذا كان فتح الباب متكرراً، أو في حال كانت الرطوبة عالية جداً في المكان، ننصح المستخدم بالقيام بالتذويب مرة كل أسبوعين.

نصائح لتوفير الطاقة

- نوصيك باتباع النصائح أدناه لتوفير الطاقة.
- حاول تجنب إبقاء الباب مفتوحاً لفترات زمنية طويلة للحفاظ على الطاقة.
- تأكد من إبعاد الجهاز عن أي مصادر للحرارة (أشعة الشمس المباشرة، أو الأفران الكهربائية، وما إلى ذلك).
- لا تضبط درجة الحرارة على إعداد أبرد من اللازم.
- لا تخزن الطعام الدافئ أو السوائل المتبخرة في الجهاز.
- ضع الجهاز في غرفة جيدة التهوية خالية من الرطوبة. ويرجى الرجوع إلى فصل تركيب الجهاز الجديد الخاص بك.
- إذا كان المخطط يوضع التركيب الصحيح للأدراج، وحجرة الخضراوات، والرفوف فلا تقم بتعديل التركيب؛ لأنه فصم، لتحقيق التهئة الأكثر كفاءة من حيث الطاقة.

تنويهات خاصة بتبريد الطعام الطازج

- لا تضع الطعام الساخن في الثلجة أو الفريزر مباشرة، حيث إن درجة الحرارة الداخلية ستزداد مما يؤدي إلى عمل الصاعط بشكل أقوى واستهلاكه لطاقة أكثر.
- لا تقم بتغطية أو تغليف الطعام، لاسيما إذا كان يتمتع بنكهة ذات رائحة نفاذة.
- ضع الطعام بشكل صحيح بحيث يمكن تدوير الهواء حوله بحرية.

تنويهات خاصة بالتبريد

- اللحوم (كل الأنواع)، الطعام المغلف في البولييثين: قم بلفه ووضعها في الرف الزجاجي فوق درج الخضراوات. واتباع دائماً أوقات تخزين الطعام واستخدمه حسب التواريخ المقترحة من قبل جهات التصنيع.
- الطعام المطهو، الأطباق الباردة، إلخ: ينبغي تغطيتها، ويمكن وضعها في أي رف.
- الفواكه والخضراوات: ينبغي تخزينها في الدرج الخاص المتوفر.
- الزبد والجبن: ينبغي تغليفهما في فويل محكم أو تغليفهما بطبقة بلاستيكية.
- زجاجات الحليب: ينبغي أن تكون مغطاة وأن تخزن في حوامل الباب.

تنويهات خاصة بالتجميد

- عند التشغيل لأول مرة أو بعد فترة من عدم الاستخدام، اترك الجهاز يعمل لمدة ساعتين على الأقل على إعدادات أعلى قبل وضع الطعام في المقصورة.
- أعد الطعام بنسب صغيرة للتمكين من تجميده بسرعة وعلى نحو تام، ولجعل إذابة الكمية المطلوبة فقط فيما بعد أمراً ممكناً.
- غلف الطعام بفويل ألومنيوم أو أغلفة الطعام المصنوعة من البولي إيثيلين المحكمة.
- لا تسمح للطعام الطازج غير المجمد بلامسة الطعام المجمد بالفعل لتجنب ارتفاع درجة حرارة الأخير.
- المنتجات المثلجة، في حال استهلاكها على الفور بعد إخراجها من مقصورة الفريزر من المحتمل أن تتسبب في حروق صقيع للبشرة.
- يُوصى بوضع ملصق وتاريخ على كل مجموعة مجمدة لتتبع وقت التخزين.

تنويهات خاصة بتخزين الطعام المجمد

- تأكد من قيام تاجر تجرئة الطعام بتخزين الطعام المجمد بشكل صحيح.
- بمجرد التذويب سيتلف الطعام بسرعة، وينبغي ألا تتم إعادة تجميده. لا تتجاوز فترة التخزين المُشار إليها من قبل جهة تصنيع الطعام.

إيقاف تشغيل الجهاز

- إذا لزم إيقاف تشغيل الجهاز لفترة زمنية طويلة، ينبغي اتخاذ الخطوات التالية لمنع تكوّن العفن في الجهاز.
- 1. أزل كل الطعام.
- 2. أفضل قايس الطاقة من مقبس التيار الكهربائي الرئيسي.
- 3. نظف الجهاز من الداخل وجففه تماماً.
- 4. تأكد من تثبيت كل الأبواب وهي مفتوحة قليلاً للسماح بتدوير الهواء.

نصائح وإرشادات مفيدة

تنويهات خاصة بالتجميد

- عند التشغيل لأول مرة أو بعد فترة من عدم الاستخدام، اترك الجهاز يعمل لمدة ساعتين على الأقل على إعدادات أعلى قبل وضع الطعام في المقصورة.
- أعد الطعام بنسب صغيرة للتمكين من تجميده بسرعة وعلى نحو تام، ولجعل إذابة الكمية المطلوبة فقط فيما بعد أمراً ممكناً.
- غلف الطعام بفويل ألومنيوم أو أغلفة الطعام المصنوعة من البولي إيثيلين المحكمة.
- لا تسمح للطعام الطازج غير المجمد بهلامسة الطعام المجمد بالفعل لتجنب ارتفاع درجة حرارة الأخير.
- المنتجات المتلجة، في حال استهلاكها على الفور بعد إخراجها من مقصورة الفريزر من المحتمل أن تتسبب في حروق صقيع للبشرة.
- يُوصى بوضع ملصق وتاريخ على كل مجموعة مجمدة لتتبع وقت التخزين.

تنويهات خاصة بتخزين الطعام المجمد

- تأكد من قيام تاجر تجرئة الطعام بتخزين الطعام المجمد بشكل صحيح.
- بمجرد التذويب سيتلف الطعام بسرعة، وينبغي ألا تتم إعادة تجميده. لا تتجاوز فترة التخزين المُشار إليها من قبل جهة تصنيع الطعام.

إيقاف تشغيل الجهاز

- إذا لزم إيقاف تشغيل الجهاز لفترة زمنية طويلة، ينبغي اتخاذ الخطوات التالية لمنع تكوّن العفن في الجهاز.
- 1. أزل كل الطعام.
- 2. أفضل قابس الطاقة من مقبس التيار الكهربائي الرئيسي.
- 3. نظف الجهاز من الداخل وجفّفه تماماً.
- 4. تأكد من تثبيت كل الأبواب وهي مفتوحة قليلاً للسماح بتدوير الهواء.

نصائح لتوفير الطاقة

- نوصيك باتباع النصائح أدناه لتوفير الطاقة.
- حاول تجنب إبقاء الباب مفتوحاً لفترات زمنية طويلة للحفاظ على الطاقة.
- تأكد من إعداد الجهاز عن أي مصادر للحرارة (أشعة الشمس المباشرة، أو الأفران الكهربائية، وما إلى ذلك).
- لا تضبط درجة الحرارة على إعداد أبرد من اللازم.
- لا تخزن الطعام الدافئ أو السوائل المتبخرة في الجهاز.
- ضع الجهاز في غرفة جيدة التهوية خالية من الرطوبة، ويرجى الرجوع إلى فصل تركيب الجهاز الجديد الخاص بك.
- إذا كان المخطط يوضع التركيب الصحيح للأدراج، وحجرة الخضراوات، والرفوف فلا تقم بتعديل التركيب؛ لأنه فصم، لتحقيق التهئة الأكثر كفاءة من حيث الطاقة.

تنويهات خاصة بتبريد الطعام الطازج

- لا تضع الطعام الساخن في الثلاجة أو الفريزر مباشرة، حيث إن درجة الحرارة الداخلية ستزداد مما يؤدي إلى عمل الضاغط بشكل أقوى واستهلاكه لطاقة أكثر.
- لا تقم بتغطية أو تغليف الطعام، لاسيما إذا كان يتمتع بنكهة ذات رائحة نفاذة.
- ضع الطعام بشكل صحيح بحيث يمكن تدوير الهواء حوله بحرية.

تنويهات خاصة بالتبريد

- اللحوم، (كل الأنواع)، الطعام المغلف في البولييثين: قم بلفه ووضعه في الرف الزجاجي فوق درج الخضراوات، واتبع دائماً أوقات تخزين الطعام واستخدمه حسب التواريخ المقترحة من قبل جهات التصنيع.
- الطعام المطهو، الأطباق الباردة، إلخ: ينبغي تغطيتها، ويمكن وضعها في أي رف.
- الفواكه والخضراوات: ينبغي تخزينها في الدرج الخاص المتوفر.
- الزبد والجبن: ينبغي تغليفهما في فويل محكم أو تغليفهما بطبقة بلاستيكية.
- زجاجات الحليب: ينبغي أن تكون مغطاة وأن تخزن في حوامل الباب.

استخدام الجهاز

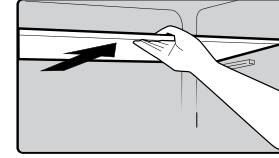
يشتمل جهازك على الملحقات، كما هو موضح في "وصف الجهاز" بشكل عام. ومع هذه التعليمات، يمكنك معرفة الطريقة الصحيحة للاستخدام.

رف الباب

• مناسب لتخزين البيض والسوائل المعلبة والمشروبات المعلبة في زجاجات والأطعمة المعلبة، إلخ. لا تضع الكثير من الأشياء الثقيلة في الرف.

رف حجرة الثلج

• هناك رفوف في حجرة الثلج، ويمكن إخراجها لتنظيفها.



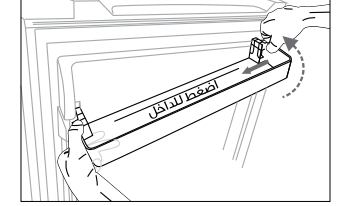
حجرة صنع الثلج

• وهي مقصورة بدرجة حرارة منخفضة مخصصة لصنع الثلج وتخزينه. ويمكن أن تصنع 250 غرام من الثلج خلال 24 ساعة.

إزالة وتثبيت رف الباب

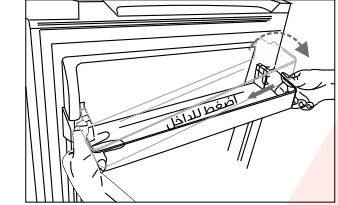
تحذير: يجب أن لا يتم إزالة أو تثبيت رف الباب من قبل المستخدم! وفي حالة تعرض رف الباب للضرر، اتصل بمركز خدمة العملاء للحصول على الدعم اللازم. ولاستبدال رف الباب، يمكن اتباع الخطوات التالية:

إزالة رف الباب



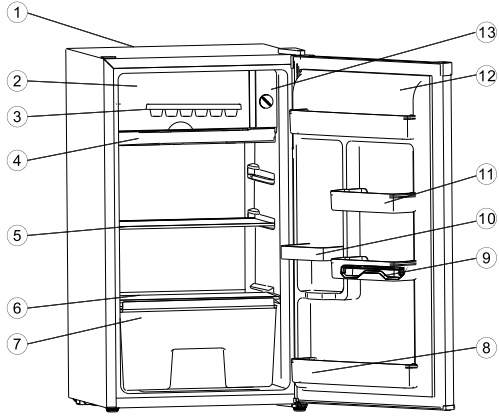
اضغط على الجانب الأيمن من رف الباب للداخل، مع الاستمرار بامسك الجانب الأيسر. وعندما ينفصل الرف عن باب الثلاجة، قم بإزالة الحامل بشكل مائل للاعلى.

تثبيت رف الباب



أولاً، قم بإمالة الجانب الأيسر من رف الباب، وتأكد من أن المفصل قد تم تثبيته على الباب. ثم اضغط على الجانب الأيمن للداخل، وادفعه لأسفل إلى المكان الصحيح.

وصف الجهاز



1. الهيكل
2. باب حجرة التلاجة الصغيرة
3. صينية مكعبات الثلج (اختيارية)
4. صينية تذيب الثلج
5. رف قابل لللفك
6. غطاء صندوق الفواكه والخضروات
7. درج الفواكه والخضروات (اختياري)
8. الرف السفلي
9. صينية البيض (اختيارية)
10. حامل القناني
11. رف صغير
12. باب التلاجة
13. منظم درجة الحرارة

ملاحظة: بسبب التعديل المستمر في منتجاتنا، قد تكون ثلاجتك مختلفة قليلاً عن دليل التعليمات هذا، إلا أن وظائفها وطرق استخدامها تظل كما هي.

التشغيل

هام!

نوصي عادةً بضبط درجة حرارة التلاجة على 3 أو 4. وإذا رغبت بتغيير درجة الحرارة لتكون أدفئ أو أبرد، يمكن تدوير المقبض وضبطه على درجة حرارة أقل أو أعلى.

يمكنك خفض استهلاك الطاقة من خلال تدوير المقبض لدرجة أقل. وخلاف ذلك قد ينتج عنه زيادة استهلاك الطاقة.

هام!

عندما تكون درجة الحرارة المحيطة في الغرفة عالية (مثلاً خلال أيام الصيف الحارة) وتضبط التلاجة على وضع أبرد (6 إلى 8)، يمكن أن يؤدي ذلك إلى عمل الضاغط بشكل مستمر أو حتى بدون توقف! السبب: عندما تكون درجة الحرارة المحيطة عالية، يجب أن يعمل الضاغط بشكل مستمر للحفاظ على درجة الحرارة المنخفضة في التلاجة.



تركيب لوح الدعم المطاطي

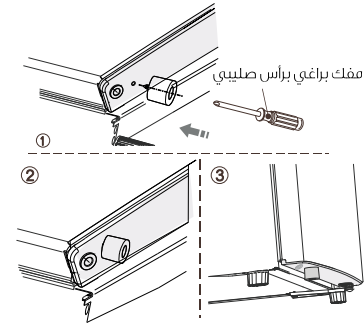
• في حال توفر قطعة دعم مطاطية وبرغي في كيس بلاستيكي مرفق مع الجهاز، يمكنك تركيب هذه الملحقات وفقاً للخطوات أدناه.

ملاحظة:

ليس هناك حاجة لتركيب هذه الملحقات في ظروف الاستخدام العادي.

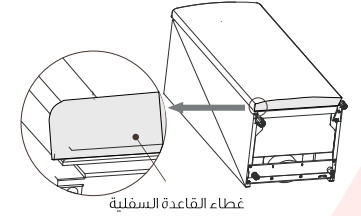
فقط في بعض الظروف الاستثنائية، قد تتعرض التلاجة لخطر الانحناء عندما تكون كابينة التلاجة فارغة وتحميل الباب بمواد تزن 1. كجم وفتح الباب 90 درجة. وهنا يجب إحكام تركيب قطعة الدعم المطاطية في غطاء القاعدة السفلية للجهاز.

1. أعتُر على فتحة البرغي في الجهاز على الجانب الأيسر من غطاء القاعدة السفلية.



تسوية الجهاز

• يجب أن يكون الجهاز بوضع مستوي تماماً لمنع الاهتزاز. لتسوية الجهاز، ضعه بشكل عمودي، ويجب أن تكون جميع المساند السفلية ملاسمة للأرضية. يمكنك أيضاً ضبط التسوية من خلال تعديل الشد لحين الوصول للمستوى الملائم (استخدم أصابعك أو مفك براغي مناسب).

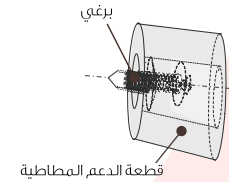


التوصيلات الكهربائية

2. ضع البرغي في الفتحة الموجودة على قطعة الدعم المطاطية.

تنبيه! أي أعمال كهربائية تتطلبها عملية تركيب هذا الجهاز يجب أن تتم من قبل فني مختص مؤهل لذلك.

تحذير! يجب تأريض هذا الجهاز. لا تتحمل الجهة المصنعة أي مسؤولية جراء عدم اتباع تعليمات السلامة



الاستخدام الأول والتركيب

تركيب الجهاز



تحذير! قبل التركيب، يرجى قراءة التعليمات بعناية لضمان سلامتك والتشغيل الصحيح للجهاز.

- ضع الجهاز بعيداً عن مصادر الحرارة، مثل الطباخات، والمدافئ، وأشعة الشمس المباشرة، وغيرها.
- يعمل الجهاز بشكل جيد وأمن ضمن نطاق درجة الحرارة الداخلية المُشار إليها في ملصق التصنيف.
- يجب السماح بتدوير الهواء بشكل كافي في الجزء الخلفي السفلي للجهاز، إذ قد يؤثر ضغط دوران الهواء سلباً على أداء الجهاز.
- احرص على عدم تعريض الجهاز للأمطار. ويجب السماح بتدوير الهواء بشكل كافي في الجزء الخلفي السفلي للجهاز، إذ قد يؤثر ضغط دوران الهواء سلباً على أداء الجهاز. كما يجب وضع الأجهزة المدمجة (بالت ان) بعيداً عن المصادر الباعثة للحرارة، مثل المدافئ، وأشعة الشمس المباشرة.

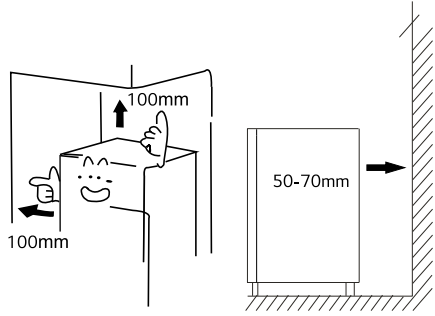
التنظيف قبل الاستخدام

• قبل استخدام الجهاز للمرة الأولى، اغسل الجزء الداخلي وجميع الملحقات الداخلية بماء فاتر وضابون محايد، وذلك لإزالة الرائحة التقليدية للمنتج الجديد، وبعدها احرص على التجفيف جيداً.

ملاحظة مهمة! لا تستخدم المنظفات أو المساحيق في التنظيف، لأن ذلك قد يتسبب في حدوث إضرار في المنتج.

ملاحظة مهمة! من الضروري الحفاظ على تهوية جيدة حول الثلاجة للسماح بتبديد الحرارة، وتعزيز الكفاءة، وخفض استهلاك الطاقة. ولهذا السبب، لهذا السبب، ينبغي توفير مساحة خالية كافية حول الثلاجة. يُوصى بوجود مساحة من 50 - 70 سم بين الجانب الخلفي للجهاز وبين الحائط، و10 سم على الأقل من الجانب وحتى الحائط، ومساحة خالية في المقدمة للسماح بفتح الأبواب 180 درجة.

احرص على عدم تعريض الجهاز للأمطار. ويجب السماح بتدوير الهواء بشكل كافي في الجزء الخلفي السفلي للجهاز، إذ قد يؤثر ضغط دوران الهواء سلباً على أداء الجهاز. كما يجب وضع الأجهزة المدمجة (بالت ان) بعيداً عن المصادر الباعثة للحرارة، مثل المدافئ، وأشعة الشمس المباشرة.



تنبيه!

التنظيف والعناية

- قم بإيقاف تشغيل الثلاجة، وافصل قابس الإمداد بالتيار الكهربائي الرئيس من المقبس قبل إجراء الصيانة.
- لا تنظف الثلاجة باستخدام مواد معدنية، أو جهاز التنظيف بالبخار، أو الزيوت الأثيرية، أو المذيبات العضوية، أو المنظفات القوية الكاشطة.
- لا تستخدم مواد حادة لإزالة الجليد من الثلاجة. استخدم مكشطة بلاستيكية.

ملاحظة مهمة عند التركيب!

- اتبع التعليمات المقدمة في هذا الدليل لإتمام التوصيل الكهربائي بعناية.
- قم بإفراغ الثلاجة وتحقق من عدم وجود أي تلف بها. لا توصل الثلاجة بمصدر التيار الكهربائي إذا كانت تالفة. أبلغ الجهة التي اشتريتها منها الثلاجة عن الأعطال المحتملة فور حدوثها. في هذه الحالة احتفظ بمواد التغليف.
- يُنصح بالانتظار أربع ساعات على الأقل قبل توصيل الثلاجة بمصدر التيار الكهربائي للسماح للزيت بالتدفق العكسي في الضاغط.
- يجب أن نحاط الثلاجة بدورة هواء جيدة، وإذا لم يتوافر ذلك تتعرض الثلاجة لارتفاع درجة الحرارة. اتبع التعليمات المتعلقة بالتركيب لتوفير التهوية الكافية.
- ينبغي ألا يكون ظهر الثلاجة قريباً جداً من الحائط قدر الإمكان لتجنب ملامسة الأجزاء الدافئة أو الإمساك بها (الضاغط، المكثف) لمنع خطر حدوث حريق. اتبع التعليمات المتعلقة بالتركيب.
- يُحظر وضع الثلاجة بجوار أجهزة التدفئة أو الطباخات.
- تأكد أن قابس الإمداد بالتيار الكهربائي الرئيس يسهل الوصول إليه بعد تركيب الثلاجة.

الصيانة

- يجب أن يتولى فني مختص القيام بأعمال الكهرباء اللازمة لإتمام أعمال صيانة الثلاجة.
- يجب أن يتولى أعمال الصيانة مركز صيانة معتمد، ويجب استخدام قطع الغيار الأصلية فقط.
- (1) إذا كانت الثلاجة بنظام البخاخ.
- (2) إذا احتوت الثلاجة على فريزر.

من الخطورة تغيير المواصفات أو محاولة تعديل هذا المنتج بأي حال من الأحوال.
يمكن أن يؤدي أي تلف في السلك إلى حدوث قصر في الدائرة الكهربائية أو اندلاع حريق أو التعرض لصدمة كهربائية.

السلامة الكهربائية



1. يجب عدم تطويل السلك الكهربائي.
2. تأكد أن كابل الطاقة ليس منهالاً أو تالفاً. قد يسبب كابل الطاقة منهالك أو التالف ارتفاعاً في درجة الحرارة، مما يؤدي إلى حدوث حريق.
3. تأكد أن بإمكانك الوصول إلى القابس الرئيسي للثلاجة.
4. لا تشد الكابل الرئيسي.
5. إذا كان المقبس مرتخياً فلا تدخل قابس الطاقة؛ حيث يزداد خطر التعرض للصدمة الكهربائية أو الحريق.
6. يُحظر تشغيل الثلاجة دون غطاء المصباح الداخلي.
7. تعمل الثلاجة فقط من خلال الإمداد بتيار كهربائي متناوب أحادي الطور بجهد 220-240 فولت/ تردد 50 هرتز. تأكد من تركيب منظم جهد متردد تلقائي بقدرة تزيد على 350 واط للثلاجة إذا كانت تقلبات الجهد في منطقة المستخدم كبيرة جداً بحيث يتعدى الجهد النطاق المذكور. يجب أن يكون للثلاجة مقبس مخصص بدلاً من استخدام مقبس مشترك مع أجهزة كهربائية أخرى. يجب أن يوافق القابس الخاص بها المقبس مع وجود سلك أرضي.

الاستخدام اليومي

- لا تُخزن غازات أو سوائل سريعة الاشتعال في الثلاجة، حيث يمكن أن يؤدي ذلك إلى حدوث انفجار.
- لا تُشغل أي جهاز كهربائي داخل الثلاجة (مثل صانع الآيس كريم الكهربائي، والخلاطات وغيرها).
- عند فصل التيار الكهربائي، انزع القابس من المقبس الرئيسي، ولا تسحب الكابل.
- لا تضع أجساماً ساخنة بجانب المكونات البلاستيكية للثلاجة.

- لا تضع أي منتجات للطعام قرب مخرج الهواء في الجزء الخلفي.
- خزن الطعام المجمد مسبقاً وفقاً لتعليمات جهة تصنيع الطعام المجمد.
- يجب الالتزام التام بتعليمات التخزين الصادرة عن جهة التصنيع. يُرجى الاطلاع على التعليمات المتعلقة بالتخزين.
- لا تضع المشروبات الغازية في الفريزر، حيث تحدث ضغطاً على الوعاء قد يتسبب في انفجاره مما يؤدي إلى تلف الثلاجة.
- يمكن أن يتسبب الطعام المجمد في حدوث قُصمة الصقيع إذا تم تناوله مباشرة من الثلاجة.
- لا تعرض الثلاجة لأشعة الشمس المباشرة.
- أبعد الشموع المشتعلة والمصابيح وغيرها من العناصر ذات السنن اللهب المكشوفة عن الثلاجة، فقد يؤدي ذلك إلى اشتعال النيران بها.
- تم تصميم الثلاجة لحفظ المواد الغذائية و/أو المشروبات للأغراض المنزلية العادية كما هو مبين في كتيب التعليمات. يُرجى توخي الحذر عند تحريك الثلاجة لأنها ثقيلة.
- لا تقم بأخذ أو لمس المواد الموجودة داخل الفريزر إذا كانت يدك رطبتين أو مبتلتين، حيث يمكن أن يؤدي ذلك إلى حدوث جروح بالجلد أو الإصابة بقُصمة الصقيع.
- لا تستخدم قاعدة الثلاجة، والأدراج، والأبواب، وخلافه مطلقاً للاستناد عليها أو كدعائم.
- يُحظر إعادة تجميد الطعام المجمد بمجرد ذوبان الثلج.
- لا تتناول المتلجبات أو مكعبات الثلج مباشرة عقب إخراجها من الفريزر، حيث يمكن أن يؤدي ذلك إلى حدوث حروق بالفم والشفاه.
- لا تضع حملاً زائداً على رفوف الباب، ولا تضع كمياً كبيراً من الطعام في درج الخضراوات والفواكه لتجنب سقوطها وحدوث إصابات أو تلف الثلاجة.

- تحذير - يجب عدم استخدام أي أجهزة كهربائية داخل الأقسام المخصصة لتخزين الأطعمة، إلا إذا كانت من النوع الموصى عليه من قبل الجهة المصنعة.
- تحذير - يحتوي الجهاز على وسيط التبريد وغاز العزل، وهذه المواد سريعة الاشتعال. عند التخلص من الجهاز، احرص على استخدام مركز معتمد للتخلص من النفايات. ولا تعرض الجهاز لأي لهب.
- تحذير - عند تركيب الجهاز، تأكد من أن لا يكون سلك الإمداد بالطاقة تالفاً أو عالقاً في مكان ما.
- تحذير - يجب أن يكون للجهاز مقبس مخصص بدلاً من استخدام مقبس مشترك مع أجهزة كهربائية أخرى.

مصباح الإنارة

- تحذير - لا يجب استبدال المصابيح من قبل المستخدم! في حال تلف المصابيح، اتصل بمركز خدمة العملاء للحصول على الدعم اللازم.
- هذا التحذير فقط للتلاجات التي تحتوي على مصابيح إنارة.

وسيط التبريد

- يوجد وسيط التبريد إيزوبوتان (R600a) - أحد الغازات الطبيعية الصديقة للبيئة ولكنه أيضاً سريع الاشتعال - داخل دائرة وسيط تبريد التلاجة. يُرجى التأكد من عدم تلف أي من أجزاء دائرة وسيط التبريد عند نقل التلاجة وتركيبها. يُعد وسيط التبريد (R600a) مادة سريعة الاشتعال.
- تحذير - التلاجات تحتوي على وسيط التبريد وغازات. عند الرغبة بالتخلص من وسيط التبريد والغازات، يجب القيام بذلك بشكل صحيح من خلال مراكز معتمدة للتخلص من النفايات، لأنها قد تسبب إصابات في العين أو اشتعال. وتأكد قبل ذلك من أن أنابيب دائرة وسيط التبريد غير تالفة.

تحذير: خطر الحريق



- تأكد من عدم تلف دائرة وسيط التبريد:
- تجنب إشعال لهب وأي مصادر اشتعال أخرى.
- قم بتهوية الغرفة التي توجد بها التلاجة جيداً.

- احتفظ بجميع مواد التغليف بعيداً عن الأطفال لسلامتهم من مخاطر الاختناق.
- إذا رغبت بالتخلص من الجهاز، اسحب القابس من مقبس الكهرباء واقطع كابل الاتصال (قريباً من الجهاز قدر المستطاع) وقم بإزالة الباب لمنع الأطفال من التعرض لصدمة كهربائية أو حبس أنفسهم في الداخل.
- يتميز هذا الجهاز بوجود أقفال مغناطيسية للباب. في حال رغبت باستبدال جهازك القديم الذي يحتوي على قفل مزلاج للباب، تأكد من إبطال وظيفة القفل المزلاج قبل التخلص من الجهاز القديم. يساهم ذلك في منع تعرض الأطفال للخطر، إذ يشكل القفل المزلاج مصيدة مميتة لهم.

معلومات السلامة العامة



- تحذير - هذا الجهاز مخصص للاستخدام المنزلي والأماكن المشابهة، مثل:
 - أماكن إعداد الطعام في المحلات والمكاتب وأماكن العمل الأخرى؛
 - المنازل الريفية، و من قِبَل العملاء في الفنادق، والنزل والأماكن السكنية الأخرى؛
 - الأماكن التي تقدم خدمات المبيت والإفطار؛
 - الأماكن التي تقدم خدمات التموين وتزويد الطعام، وغيرها من الأماكن الغير مخصصة للبيع بالتجزئة.
- تحذير - يجب عدم تخزين مواد متفجرة مثل البخاخات القابلة للاشتعال في هذا الجهاز.
- تحذير - في حال تلف سلك الإمداد بالطاقة، يجب استبداله عن طريق الجهة المصنعة أو مراكز الخدمة المعتمدة أو أشخاص مؤهلين على نفس المستوى الكفاءة وذلك لتجنب حدوث أي مخاطر.
- تحذير - يجب عدم تغطية فتحات التهوية في الجهاز أو الهيكل المدمج بأي عوائق.
- تحذير - يجب عدم استخدام أجهزة ميكانيكية أو أي وسائل أخرى لتسريع عملية تذويب الثلج، غير تلك الموصى عليها من قبل الجهة المصنعة.
- تحذير - يجب عدم إحداث أي ضرر بدائرة التبريد.

13.....	التنظيف والعناية	2.....	معلومات السلامة والتحذيرات
14.....	تغيير اتجاه الباب	8.....	الاستخدام الأول والتركيب
15.....	استكشاف الأعطال وإصلاحها	10.....	وصف الجهاز
16.....	التخلص من الجهاز	10.....	التشغيل
		12.....	نصائح وإرشادات مفيدة

معلومات السلامة والتحذيرات



لسلامتك وضمان الاستخدام الصحيح للجهاز، يرجى قراءة دليل المستخدم هذا بعناية قبل تركيبه واستخدامه للمرة الأولى، بما في ذلك النصائح والتحذيرات الموضحة. لتجنب الأخطاء والحوادث غير الضرورية، من المهم أن يكون كل من يستخدم هذا الجهاز على دراية كاملة بخصائص التشغيل والسلامة. احتفظ بهذه التعليمات وتأكد من إرفاقها مع الجهاز في حال إعطائه لشخص آخر أو بيعه، ليتيح ذلك إمكانية استخدامه من قبل أي شخص آخر والتأكد من حصوله على معلومات الاستخدام والسلامة.

وللسلامة الأرواح والممتلكات، احرص على اتباع الإجراءات الوقائية الواردة في تعليمات المستخدم، حيث أن الشركة المصنعة غير مسؤولة عن أي أضرار قد تحدث نتيجة سوء الاستخدام أو الإهمال.

سلامة الأطفال وغيرهم من الأشخاص من ذوي القدرات المحدودة

● وفقاً لمعايير EN

يمكن للأطفال الذين تبلغ أعمارهم 8 سنوات فأكثر، والأشخاص ذوي القدرات البدنية أو الحسية أو الذهنية المحدودة، أو الأشخاص الذين تنقصهم الخبرة والمعرفة استخدام هذا الجهاز، على أن يكون ذلك تحت إشراف أحد البالغين، أو تزويدهم بالتعليمات المتعلقة حول استخدام الجهاز بطريقة آمنة تمكّنهم من فهم المخاطر المحتملة لجاء الاستخدام الخاص؛ يجب على الأطفال عدم العبث بالجهاز، لا يُسمح للأطفال بتنظيف الجهاز أو صيانته دون إشراف.

وفقاً لمعايير IEC

هذا الجهاز غير مخصص للاستخدام من قبل الأشخاص (بمن فيهم الأطفال) من ذوي القدرات البدنية أو الحسية أو الذهنية المحدودة، أو الأشخاص الذين تنقصهم الخبرة والمعرفة، ما لم يتم ذلك تحت إشراف أحد البالغين المسؤولين عن سلامتهم، أو تزويدهم بالتعليمات المتعلقة حول استخدام الجهاز بطريقة آمنة.



الطراز: RFHA-SD136DW
RFHA-SD136DS1