



# سخانات المياه الكهربائية

دليل المستخدم

الموديل:

WHHA-100WTK ▲

الرجاء قراءة هذا الدليل بعناية قبل تشغيل الجهاز ،  
واحتفظ به للرجوع إليه مستقبلا

هذه التصاميم والمواصفات عرضة للتغيير بهدف إدخال تحسينات عليها  
وذلك دون إشعار مسبق



# Electric Water Heater

User's Manual

Models:

▲ WHHA-100WTK

Please read this manual carefully before operating your set.  
Retain it for future reference.

Designs and specifications are subject to change for improvement  
without prior notice.

First of all, congratulations for choosing a nature and technology friendly ALHAFIDH product.

Aspiring to present products above and beyond your expectations, electronic TCA1002S, which is manufactured meticulously at AL - HAFIDH' s modern plants and rigorously quality-controlled, into your use. This operating manual will guide you through the use of your appliance. You will see that your appliance is equipped with the most advanced technological solutions and quite easy to use. The life of your appliance will prolong if you perform necessary care and maintenance procedures. We hope you enjoy using your appliance.

### Important Information on Safety

This operating manual includes important information on getting your appliance started, and its safety, intended use, cleaning and maintenance.

Always keep this operating manual with your appliance. Whenever you lend your appliance, give this operating manual as well.

Read the operating manual carefully before using your appliance to prevent burns, electric shocks, fire or injury risk, and follow the instructions on operating your appliance, troubleshooting and cleaning.

The water heater must be mounted by ALHAFIDH Authorized Service.

The water heater must absolutely be grounded.



**WARNING:** Denotes death or severe injury risk.



**CAUTION:** Denotes injury or property damage risk.

<b>Safety Warnings</b> .....	4
Safety Information on the Installation of the Appliance .....	4
Safety Information on the Use of the Appliance .....	5
Safety Information to Take into Consideration During Cleaning and Maintenance .....	8
Safety Information to Take into Consideration During Handling and Transportation .....	9
<b>Installation</b> .....	9
Choosing the Mounting Position .....	9
<b>Liability Limitation</b> .....	9
<b>Technical Specifications</b> .....	10
Installation Distances .....	11
Circuit Diagram .....	11
<b>General View</b> .....	12
<b>Controls and Indicators</b> .....	12
<b>Functions and Features of the water heater</b> .....	13
Strength against corrosion .....	13
Strength against water pressure .....	13
Effective Heat Isolation .....	13
Limiting Thermostat .....	13
V Automated Switch .....	13
Safety Valve .....	13
Economy Mode .....	13
<b>Practical and Useful Information</b> .....	14
<b>Suggestions for Operation</b> .....	14
<b>Cleaning and Maintenance</b> .....	14
<b>Recommendations on Energy Saving</b> .....	15
<b>Troubleshooting</b> .....	16

## Safety Warnings

Safety Information on the Installation of the Appliance

**WARNING:** Using voltage of your water heater is 230 Volt.

**WARNING:** Make sure that safety valve is installed on to the cold water inlet. Safety valve has been set during the manufacturing of the product. The setting mechanism should not be intervened. High pressure water will flow from safety valve. This is not a fault and is required according to safety standard.

**WARNING:** The water heater must absolutely be grounded. If you use your water heater without plug, absolutely run your appliance after connecting to grounded power line by means of fuse; if you use your water heater with plug, absolutely run it by inserting into the grounded plug. Manufacturing company shall not be responsible for any damage due to operating without grounding.

**WARNING:** Do not operate your water heater without making sure that it is filled with full of water. If water is flowing when

you open the hot water tap, it means that the appliance is full of water.

**WARNING:** When the water heater will be mounted and operated for the first time, ask an authorized ALHAFIDH service for help.

**WARNING:** Avoid installing the water heater in places where there is a risk of freezing.

**WARNING:** Do not use electricity extension cables or multipliers.

**WARNING:** This appliance is not intended to be used by those with physical, sensorial and mental disability (including children) or with lack of experience and knowledge unless they are given supervision and method by a person, who is responsible for the safety of the appliances, about using the appliance.

**WARNING:** If the power cable is damaged, it should be replaced by the ALHAFIDH authorized service staff in order to avoid a dangerous situation.

- Installation and repairs should always be done by Authorized Service.
- Producing company shall

not be held responsible of any damage due to operations conducted by unauthorized persons.

**WARNING:** Your water heater has been manufactured for domestic use, and can be used only at home and for specified purposes. It is not suitable for commercial or common usage.

**WARNING:** The water hotter than 50°C during usage can cause scalding or even death due to serious scalding. Please keep in mind that children, elderly and disabled people are more vulnerable to the risk of burning.

Safety Information on the Use of the Appliance

**WARNING:** The limiting thermostat will disable the resistance in case of excessive temperatures in the boiler or the failure of temperature setting thermostat.

**WARNING:** You can switch ON and OFF the water heater using the V-Automated switch. V Automated Switch acts as a fuse.

**WARNING:** Safety valve is in -

stalled on to the cold water inlet of the water heater. This will prevent the draining of the water inside in case of a water cut.

**CAUTION:** The following conditions must be observed while installing and using the safety valve.

- As water may drip from the drainage tip, this pipe should be left open to the atmosphere. In order to prevent the dripping waters from causing any harm to the environment, you can connect it to a sewage drain by means of a hose.
- The appliance should be operated with intervals in order to prevent limescale accumulation and confirm that it is not blocked.
- While connecting the safety valve to the appliance, make sure that the drainage tip is downwards.
- Operation of the appliance for purposes other than its intended purpose may cause damage or dangerous conditions and renders the warranty void. Damages occurred due to these envi -

- ronments are compensated by the user.
- In order to prevent overloading of the electrical circuit, do not operate any other high-power appliance on the same circuit. Do not connect with extension cables or multi plugs. If you neglect, it may cause electric shocks and damages in the product.
- This appliance can be used by children at the age of 8 years old or above and by those with physical, sensory and mental disability or with lack of experience and knowledge, provided that they are given supervision and instruction about safely use of the appliance and that the hazards caused by the appliance are understood by them.
- Safety valve mains used in the appliance may cause leakage at the drainage section if the water pressure exceeds 8 bars. This is normal. When the pressure reduces, the leakage will stop.
- As corrosion may be sped up if the water inside the

- appliance is discharged and the appliance stays empty for a long time, the reservoir should not stay water-free for a long time.
- Children should not be allowed to play with the appliance.
- Cleaning and user maintenance should not be done by unattended children.
- Packaging materials are dangerous for children. Keep all packaging materials out of the reach of children.
- Before use, check the functions of your appliance accurately.
- The appliance should be used only if it is plugged in a power cable and it has no visible damages on its body.
- Check the power cable for damages regularly. Do not strain the power cable of the appliance. Do not put any object on the power cable.
- If the power cable is damaged, it should be replaced by the authorized service recommended by the producer in order to avoid any danger.

- In case that the mains operating pressure exceeds 8 bars, a pressure reducer should be connected to the cold water line before safety ventile. The pressure reducer should be away from the appliance and close to the counter as much as possible.

Never use your appliance under the following conditions:

- If the appliance or the power cable is damaged,
- If the appliance does not function properly,
- If the electrical components of the appliance are visibly damaged,
- If the appliance is wet, has fallen into water or any other liquid, exposed to water flooding incident, its electrical components have come into contact with water,
- If strange noises, smoke or smell emanate from the appliance.

If any of the cases mentioned above is detected, shut down your appliance immediately, disconnect the power supply connection and contact with the

- authorized service.
- A damaged appliance or damaged parts of the appliance may cause severe injuries and fire.
- There is no parts within the appliance, with which the user can intervene. The risk of electric shock occurs when electrical connections within the appliance are touched and when the mechanical structure of the appliance is changed. In case of any failure, do not attempt to repair it yourself. Otherwise, the appliance shall be void of warranty.
- Use of accessories not recommended by the producer may cause injuries and damages in the appliance.
- Do not touch or run the appliance with wet and moist hands.
- If the appliance will not be used for a long time, disconnect the power supply from the fuse.

Make sure that the appliance is turned off and the power is cut from the fuse/power switch at the following conditions:

- Before installation,
- Before cleaning and maintenance,
- Before repairs.
- Do not drink the water drained off from the appliance. Otherwise, severe health problems may occur.
- If the appliance will be re-mounted at a new location, contact with the authorized service.

ommended to perform the cleaning of the limescale that may form on the resistance due to the water hardness and the high temperatures should be removed in every two years regularly by the Authorized Service. This procedure should be performed on heating resistance.

- All above-mentioned procedures should be performed by ALHAFIDH Authorized Service.
- Hot water, ammoniac and non-alcohol containing liquid detergents should be used. Otherwise the surface may get damaged.
- Clean and maintain the appliance as stated in the "Cleaning and Maintenance" section.
- Do not use chemicals. Do not use substances such as gasoline, thinner etc.
- Using powder detergent may result in scratches on the surface of the water heater.

#### Safety Information to Take into Consideration During Cleaning and Maintenance

- To prevent risk of electric shock, turn off the appliance, shut down its fuse or switch gear before cleaning.
- All maintenance and service works should be performed by the authorized ALHAFIDH services.
- Magnesium bar used against the corrosion inside the drum should be checked every year and if it worn out, it should be replaced by the authorized service.
- To get the optimum performance from your electrical water heater, it is rec-

#### Safety Information to Take into Consideration During Handling and Transportation

While handling the appliance, make sure that all electrical connections are removed and all water inside is discharged. Place or hold the appliance in a way to avoid damaging during handling.

#### Installation

**WARNING:** The water heater should be installed by ALHAFIDH Authorized Service according to "Installation Instructions".

**WARNING:** The appliance should not be mounted on the stairs, exits and hallways of the building.

Type C 16 A fuse should be used in the appliance. Your appliance is not suitable for being used outside the building.

#### Choosing the Mounting Position

- Do not install the appliance in non-ventilated and humid areas.

- Do not place the appliance to areas that are under direct sun light.
- Do not place the appliance in areas where partially dangerous substances such as steam, dust or gas are present.
- Do not connect the appliance directly to the electricity sources which are not protected from the sudden voltage spike.

#### Liability Limitation

All technical information, instructions for use, operating and maintenance of the appliance included in this manual are the most up to date information on your appliance. Manufacturer does not assume any responsibility for damages and injuries that may occur as a result of non-compliance with the instructions given in this manual, using the appliance for purposes other than its intended use, unauthorized repairs, unauthorized modifications on the appliance and using spare parts that are not approved by the manufacturer.

## Technical Specifications

Model		WHHA-100WTK
Capacity	Lt.	100
Water Temperature Setting Range	°C	25-75
Voltage	V	220-240
Current	A	9
Resistance Power	W	1980
The Highest Operating Pressure of Safety Valve	Bar	9
Water Connection	Inch	1/2
Protection Class		IP24
Anti-Corrosive System	Enameled Interior Drum and Magnesium Bar	
Product Sizes	mm	Ø426*1047

Technical specifications and this manual are subject to change without prior notification.



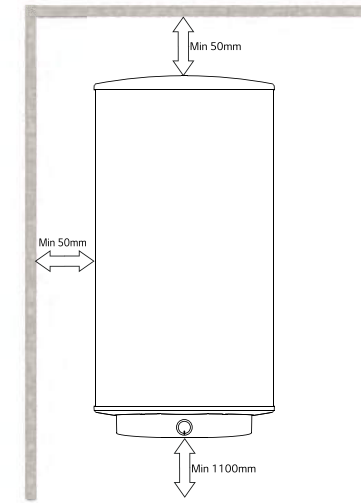
This appliance conforms to Regulation on Supervision of the Waste Electric and Electronic Appliances.



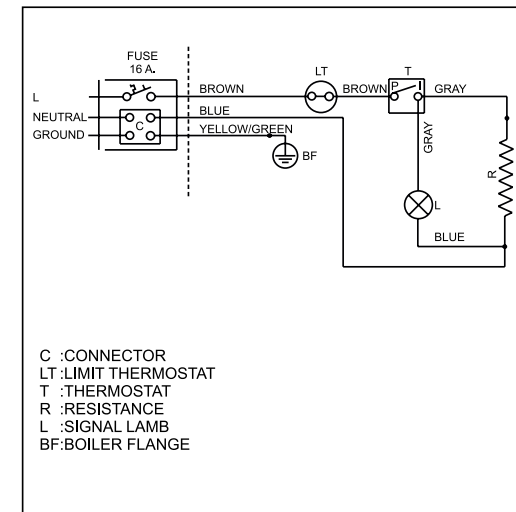
This product complies with the Europe CE Directives no. 2004/108/AT (Electromagnetic Compliance Regulation) and 2006/95/AT (Low Voltage (LVD) Regulation)

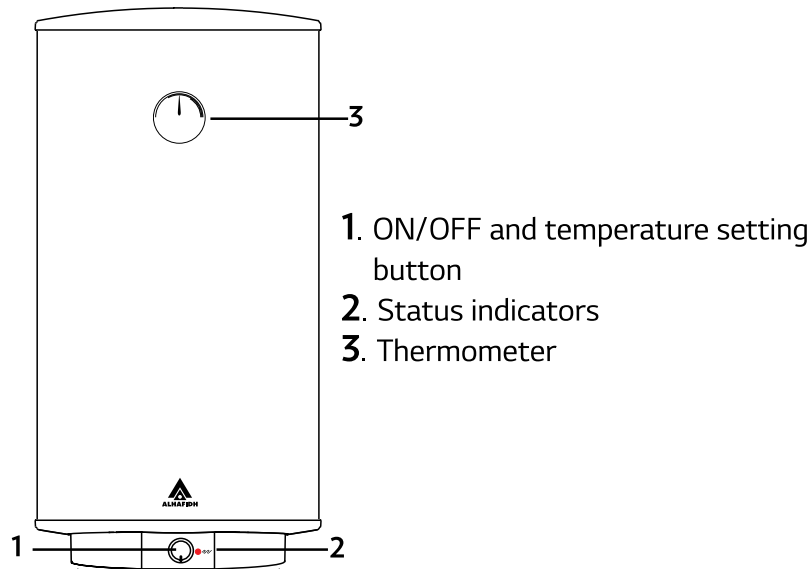
## Installation Distances

The distances specified in the chart below should be applied in the installation of the appliance.

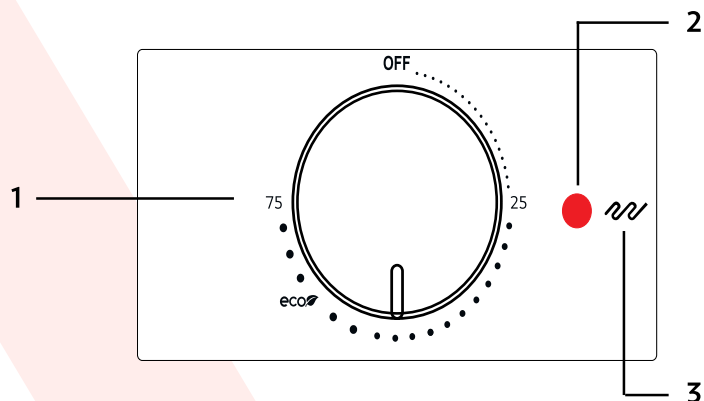


## Circuit Diagram





Controls and Indicators



- 1. Temperature setting display
- 2. Hot water status LED
- 3. Resistance LED

Functions and Features of the water heater

Strength against corrosion

The inner drum of your water heater, including the water input and output pipes are enamel plated following the welding operation are fully protected against corrosion. The heater resistance is protected against corrosion with Magnesium bar.

Strength against water pressure

Water heater's inner drum is tested under 12 bar pressure considering the water mains pressure.

Effective Heat Isolation

The water heater is isolated using a 50mm thick polyurethane heat isolation material between the main body sheet and the water drum. Thank to this material the water in it will be heated rapidly and cools down slowly.

Limiting Thermostat

The limiting thermostat will disable the resistance in case of excessive temperatures in the drum or the failure of temperature setting thermostat.

V Automated Switch

You can switch ON and OFF the thermostat using the V-Automated switch. V - Automated Switch acts as a safety device. It will disconnect the product from the mains in case of an electrical short circuit or the product is switched OFF. The provided V-Automated Switch should be installed by an authorized service technician only.

ized service technician only .

Safety Valve

Safety valve is installed on to the cold water inlet of the water heater. A kind of safety, this valve will prevent the draining of the water inside in case of a water cut. Also the same valve will discharge water from the drain tip in case of overpressure in the boiler.

Economy Mode

The water hotter than 50°C during usage can cause scalding or even death due to serious scalding. The temperature which is most favorable for human health and energy economy is about 55°C. This temperature is indicated on the front panel of the product with a eco icon. You can operate the product in an economical way setting the temperature setting knob to eco icon.

Operating

After your water heater is installed and operationalized by the authorized service, you can turn it on by pushing the on/off button on the front panel.

- Ensure that the water heater is filled with water before the initial use. Switch on the V-Automated switch.
- During the initial operation the temperature set will flash on the display panel. After a short interval the flashing will stop and the current inner temperature will be displayed. You can set the desired temperature using the up and down arrows found next to the display. After setting the temperature resistance is activated

- and the resistance indicator on the left bottom becomes active.
- When the water temperature reaches the target temperature the resistance will be deactivated and the resistance indicator will flash and the shower sign will be activated. In this case the hot water is ready to use.
- When the temperature lowers to a level 4 degrees below the set temperature, the resistance will be activated again and the water is heated to the target temperature.

## Practical and Useful Information

- The sediments and limescale accumulated at the below section of the water heater will prevent direct contact between the water and the heating elements. Accumulation of sediments and limescale at the bottom of the water boiler should be prevented. The water boiler should be drained at regular intervals.
- Heat required amount of water in your water heater. Install the water heater away from the appliances such as refrigerator and deep-freezer. Otherwise operation frequency will increase.
- Ensure that isolation is installed to prevent heat loss from the boiler and installation.
- The water heater should be located max. 6 m away from the points of use. Installation on a farther location will cause a drop at the efficiency of heat transfer. Also the water piping should be isolated.

- When the device is not going to be used for a prolonged time set the thermostat to the lowest setting.

## Suggestions for Operation

- Do not place items that are vulnerable to water beneath the water heater.
- Take below precautions if you will not use the product for a prolonged time.
  - Disconnect the product from the mains supply.
  - Switch off the water valves and disconnect the water connection.

## Cleaning and Maintenance

Disconnect from the electrical mains before handling any operation.

- Install a transparent drain hose to the drain output of the safety valve located at the cold water input of the water heater at a location away from freezing.
- Pressure will increase with the operation of the water heater. Dripping of water at the safety valve is normal.
- Drain water from the boiler setting the safety valve latch to upright position. To check the operation of the safety valve, it is recommended to set the latch to upright position once a month to see if water flows out.
- If water is drained through safety valve, do not operate until water comes from the hot water tap.
- To get the optimum performance from your electrical water heater, limescale that may form on the resist

ance due to the water hardness and the high temperatures should be removed regularly by the Authorized Service.

## Recommendations on Energy Saving

- It is recommended to operate the product in Eco mode (55°C) to extend the life of the product and save energy.
- To get the best possible performance from the product the heating element (resistance) should be cleaned and the magnesium bar for corrosion protection should be replaced once in every 2 years. The cleaning and replacement should be performed by an authorized service.
- Anode and heater should be checked annually in regions with higher water hardness.



## Troubleshooting

Before calling the service ensure that the failure is not related with a temporary electrical black out or water cut.

In case you observe an abnormality in your appliance, you may try to solve the problem according to the instructions below. If your appliance does not still operate properly, contact the Call Center. You may access the authorized services list and contact information from the web site.

PROBLEM	REASON	SOLUTION
Water heater is not operating	Switch is off.	Turn on the switch.
	Power cut.	Wait for the power to be back.
	Building's main fuse is blown.	Fix the fuse.
Water heater is not heating the water.	Water heater is not operating correctly.	Call the authorized service.
Water heater is heating the water too late.	Voltage may be low.	Use an appropriate voltage regulator.
	Limescale may be formed on the resistance.	Call the authorized service.
Noisy operation.	Limescale may be formed on the resistance.	Call the authorized service.
	Limescale or sand can be present within the safety valve.	Call the authorized service.
	System pressure can be distributed irregularly.	Install a pressure regulator.
Water heater heats water excessively (water steam comes out).	There might be too much limescale in the product.	Call the authorized service.
Water drips from the safety valve.	This is normal.	Connect the provided hose from the valve to water drainage.

قبل الاتصال بمركز الخدمة تأكد من أن العطل ليس له علاقة بقطع مؤقت في الكهرباء أو الماء. إذا لاحظت أية حالات خارجة عن المألوف على جهازك، فيمكنك حل المشكلة حسب الإرشادات الموضحة ادناه. إذا كان جهازك لم يعد يعمل بشكل سليم فاتصل بمركز الخدمة. يمكنك الوصول إلى قائمة مراكز الخدمة المعتمدة والحصول على معلومات من الموقع الإلكتروني.

المشكلة	السبب	الحل
سخان الحمام لا يعمل	المفتاح مطفأ. انقطاع الكهرباء. مصهر الشبكة الرئيسية في المبنى احترق.	قم بتشغيل المفتاح. انتظر حتى عودة التيار الكهربائي. أصلح المصهر.
سخان الحمام لا يسخن الماء.	سخان الحمام لا يعمل بشكل صحيح.	اتصل بمركز الخدمة المعتمد.
سخان الحمام يسخن الماء ببطء شديد.	يمكن أن تكون الفلظية قليلة. يمكن أن تتكون ترسبات جيرية على المقاومة.	استخدم منظم فلظية مناسب. اتصل بمركز الخدمة المعتمد.
التشغيل يصدر صوتًا.	يمكن أن تتكون ترسبات جيرية أو رمل. في صمام الأمان. ضغط النظام يمكن أن يتم توزيعه بشكل غير منتظم.	اتصل بمركز الخدمة المعتمد. ركب منظم للضغط.
سخان الحمام يعمل على تسخين الماء بشكل فائق (بخار الماء يخرج).	يمكن أن يكون هناك قدر كبير للغاية من الترسبات الجيرية في المنتج.	اتصل بمركز الخدمة المعتمد.
ماء يتقاطر في صمام الأمان.	هذا أمر طبيعي.	قم بتوصيل الخرطوم المورد بين الصمام وصرف الماء.

## وظائف وخصائص سخان الحمام القوة ضد الصدأ

الطبلة الداخلية لسخان حمامك، بما في ذلك أنابيب دخل وخرج الماء المطلوبة بالمينا وفقاً لعمليات اللحام وهي محمية تماماً ضد الصدأ. مقاومة السخان محمية من التعرض للصدأ بواسطة قضيب المغنسيوم.

## القوة ضد ضغط الماء

تم اختبار طبلة سخان الحمام الداخلية أقل من ضغط 12 بار مع مراعاة ضغط وصلات الماء الرئيسية.

## العزل الحراري الفعال

تم عزل سخان الحمام باستخدام مادة عزل حراري مصنوعة من البولي يوريثان بسمك 50مم، يتم تركيبها بين لوح الجسم الأساسي وطبلة الماء. بفضل هذه المادة فإنه يتم تسخين الماء بسرعة وتبريده ببطء.

## ثرموستات التحديد

ثرموستات التحديد سوف يعيق المقاومة في حالة وجود درجات حرارة بالغة في الطبلة أو في حال وجود عيب في ثرموستات الضبط الحراري.

## مفتاح V الأوتوماتيكي

يمكنك تشغيل أو إيقاف الثرموستات باستخدام مفتاح V الأوتوماتيكي. مفتاح V الأوتوماتيكي يعمل كجهاز أمان. يقوم بفصل المنتج من التوصيلات الأساسية إذا ما كانت هناك دائرة قصر كهربائية أو كان المنتج مطفأ. يتعين أن يتم تركيب مفتاح V الأوتوماتيكي من قبل فني خدمة معتمد فقط.

## صمام الأمان

صمام السلامة مركب على منفذ الماء البارد لسخان الحمام. هذا النوع من التأمين وهذا الصمام من شأنه أن يمنع تصريف الماء للدخل في حال قطع المياه. كذلك فإن الصمام ذاته يقوم

بتصريف الماء من رأس التصريف إذا ما كان هناك ضغط فائق في الغلاية.

الماء الساخن لدرجة أعلى من 50°م أثناء الاستخدام يمكن أن يتسبب في التعرض للحرق أو حتى الوفاة جراء الحروق الشديدة. مفتاح درجة الحرارة الأكثر تفضيلاً لصحة الإنسان وأكثر اقتصادية وتوفرًا في الطاقة يبلغ 55°م. تتم الإشارة إلى درجة الحرارة هذه على اللوحة الأمامية للمنتج من خلال أيقونة eco. يمكنك تشغيل المنتج على وضع الضبط الاقتصادي من خلال ضبط زر درجة الحرارة على أيقونة الوضع الاقتصادي.

## التشغيل

بعد تركيب سخان الحمام الخاص بك وتحضيره للتشغيل بمعرفة مركز الخدمة المعتمد، يمكنك تشغيله من خلال الضغط على زر التشغيل/الإيقاف على اللوح الأمامي.

تحقق من أن سخان الحمام مملوء بالماء قبل الاستخدام لأول مرة. شغل المفتاح الأوتوماتيكي V.

أثناء التشغيل لأول مرة فسوف يومض زر ضبط درجة الحرارة على لوحة الشاشة. بعد فترة تشغيل قصيرة سوف يتوقف الوميض ويتم عرض درجة الحرارة الداخلية الحالية. يمكنك أن تقوم بضبط درجة الحرارة المرغوبة باستعمال أسهم لأعلى وأسفل الموجودة بعد الشاشة. بعد أن يتم ضبط درجة الحرارة فإنه يتم تفعيل المقاومة ويصبح مؤشر المقاومة على اليسار من أسفل فعالاً.

عندما تصل درجة حرارة الماء إلى القيمة المستهدفة فسوف يتم إيقاف فاعلية المقاومة وسوف يومض مؤشر المقاومة ويتم تفعيل علامة الاستحمام. في هذه الحالة يكون الماء الساخن جاهزاً للاستخدام. عندما تنخفض درجة الحرارة لتصل إلى المستوى 4 إلى ما دون درجة الحرارة

المضبوطة، فسوف يتم تفعيل المقاومة مرة أخرى ويتم تسخين الماء ليصل إلى درجة الحرارة المستهدفة.

## معلومات عملية ومفيدة

الترسبات والطبقات الجيرية المتكونة في الجزء السفلي من سخان الماء سوف تمنع الاتصال المباشر بين الماء وبين عناصر التسخين. يتعين أن يتم منع تراكم الترسبات والطبقات الجيرية في قاع غلاية الماء. يتعين أن يتم تصريف غلاية الماء على فترات منتظمة.

قم بتسخين الكمية المطلوبة من الماء في سخان حمامك. ركب سخان الماء بعيداً عن الأجهزة مثل المبرد والمجمد. وإلا فسوف يزيد معدل التشغيل. تحقق من أن نظام العزل مركباً لمنع فقدان الحرارة من الغلاية والترسيبات. يتعين أن يتم تركيب سخان الماء على بعد 6 متر بحد أقصى من نقاط الاستخدام. التركيب في موضع أبعد سوف يتسبب في الإضرار بكفاءة نقل الحرارة. كذلك فيتعين أن يتم عزل أنابيب الماء.

إذا لم يكن من المخطط أن يتم استخدام الجهاز لفترة ممتدة فقم بضبط الثرموستات على أدنى وضع ضبط له.

## اقتراحات للتشغيل

لا تضع العناصر الضعيفة أمام الماء بالقرب من سخان الاستحمام. احرص على توخ الإجراءات الاحتراسية التالية إذا لم تكن تريد استخدام المنتج لفترة طويلة. - أفضل المنتج من شبكة الإمداد الرئيسية. - أطفئ صمامات الماء وافصل وصلة الماء.

## التنظيف والصيانة

أفضل الجهاز من الشبك الكهربائية الأساسية قبل القيام بأية عمليات.

ركب خرطوم تصريف شفاف على خرج الصرف لصمام الأمان المركب على دخل الماء البارد لسخان الحمام في موضع يكون بعيداً عن التجمد.

سوف يزداد الضغط مع تشغيل سخان الحمام. تساقط الماء عند صمام الأمان أمر عادي.

صرف الماء من الغلاية وضبط لسان صمام الأمان على الوضع المرتفع لأعلى. للتحقق من تشغيل صمام الأمان فينصح بضبط اللسان على الوضع المرتفع مرة في الشهر للتحقق مما إذا كان الماء يتدفق للخارج. إذا كان الماء يتصرف من صمام الأمان فلا تقم بالتشغيل إلى أن يبدأ الماء في الخروج من رأس الماء الساخن.

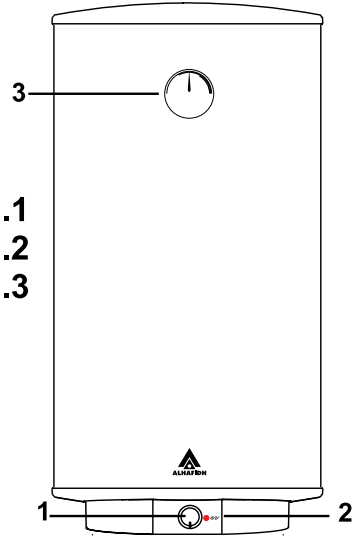
للحصول على أفضل أداء من سخان حمامك الكهربائي فيتعين التخلص من الترسبات الجيرية بداخله التي يمكن أن تتكون على المقاومة جراء صلابة الماء ودرجات الحرارة العالية، كل عامين بصفة دورية منتظمة لدى مركز الخدمة المعتمد.

## توصيات توفير الطاقة

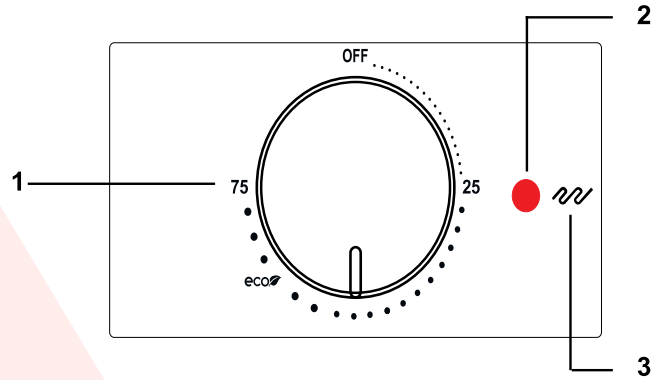
ينصح بأن يتم تشغيل المنتج في الوضع الاقتصادي (55°م) لغرض تمديد العمر الافتراضي للمنتج وتوفير الطاقة. للحصول على أفضل أداء ممكن من المنتج، فيتعين أن يتم تنظيف عنصر التسخين (المقاومة) ويتعين أن يتم استبدال قضيب المغنسيوم للحماية من الصدأ مرة كل 2 عامين. يتعين أن يتم تنفيذ أعمال التنظيف والاستبدال من قبل مركز الخدمة المعتمد. يتعين أن يتم فحص الأنود والسخان سنوياً في المناطق التي تكون فيها درجة صلابة الماء أعلى.

المسافات الموضحة في المخطط أدناه يجب تطبيقها أثناء تركيب الجهاز.

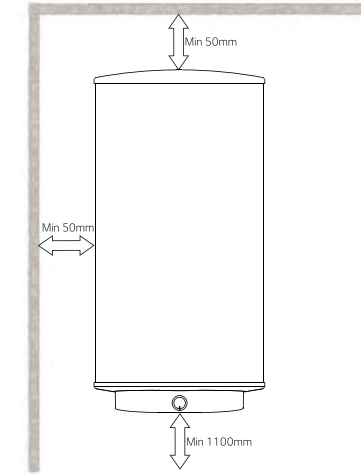
1. زر التشغيل/الإطفاء وضبط درجة الحرارة
2. مؤشرات الحالة
3. ميزان الحرارة



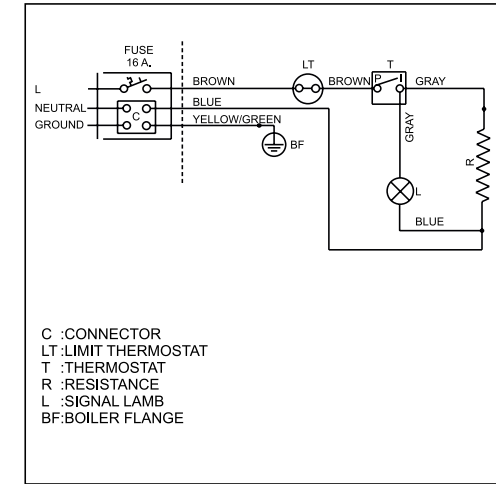
عناصر التحكم والمؤشرات



1. شاشة ضبط درجة الحرارة
2. لمبة LED لحالة الماء الساخن
3. مقاومة LED




الاتصالات الكهربائية



## المواصفات الفنية

الطراز	WHHA-100WTK	
السعة	لتر	100
نطاق ضبط درجة حرارة الماء	°م	25-75
فلطية	فقط	220-240
التيار	A	9
طاقة المقاومة	واط	1980
أعلى ضغط تشغيل لصمام الأمان	بار	9
وصلة الماء	بوصة	1/2
فئة الحماية		IP24
نظام مقاوم للصدأ	الطبلة الداخلية المطلية بالمينا والقضيب المغنيسيوم	
مقاسات المنتج	مم	Ø426*1047

يمكن تغيير المواصفات الفنية وهذا الدليل بدون إخطار مسبق.

هذا الجهاز متوافق مع القواعد والتعليمات الخاصة بالرقابة على نفايات الأجهزة الإلكترونية والكهربائية.  هذا المنتج متوافق مع مواصفات CE الأوروبية رقم AT/2004/108 (مواصفة التوافق الكهرومغناطيسي) و AT/2006/95 (مواصفة الفلطيية المنخفضة (LVD)).

الجهة الصانعة لا تتحمل أية مسؤولية عن الأضرار والإصابات التي يمكن أن تنتج عن هدم التوافق مع التعليمات الموضحة في هذا الدليل أو استخدام الجهاز في أغراض أخرى غير تلك المخصصة له أو إجراء أعمال الإصلاح غير المعتمدة أو التعديلات على الجهاز بشكل غير معتمد واستخدام قطع غيار غير مصرح بها من الجهة الصانعة.

## التركيب

**تحذير:** يجب تركيب سخان الحمام بمعرفة مركز خدمة ALHAFIDH المعتمد وحسب "إرشادات التركيب".

**تحذير:** لا يجوز تركيب الجهاز على السلالم (الدرج) ومخارج وردحات الأبنية.

المصهر من النوع C 16A يتعين أن يتم استخدامه في الجهاز.

جهازك غير مناسب للاستخدام خارج المبنى.

## اختيار وضع التركيب

لا تتركب الجهاز في مناطق رطبة لا يتوفر فيها التهوية.  
لا تضع الجهاز في مناطق تكون عرضة لضوء الشمس المباشر.  
لا تضع الجهاز في مناطق تكون محتوية على مواد خطرة، مثل البخار أو الغبار أو الغاز.  
لا تقم بتوصيل الجهاز مباشرة بمصادر الطاقة الكهربائية غير المحمية من القمم الفلطيية المفاجئة.

## تحديد المسؤولية

جميع المعلومات التقنية وإرشادات الاستخدام وتشغيل وصيانة الجهاز الواردة في هذا الدليل هي أحدث المعلومات المتوفرة عن جهازك.

لفترة طويلة، فيتعين ألا يظل الخزان خاليًا من الماء لفترة طويلة. الأطفال لا يتعين السماح لهم باللعب بالجهاز.

لا يتعين أن يقوم الأطفال بإجراءات التنظيف والصيانة دون إشراف. مواد التعبئة خطيرة على الأطفال. احتفظ بكل مواد التغليف والتعبئة بعيدًا عن متناول يد الأطفال. قبل الاستخدام تحقق من وظائف جهازك بدقة.

يتعين أن يتم استخدام الجهاز فقط عند توصيل كابل الطاقة ولا تظهر به أية أضرار ملحوظة.

افحص كابل الطاقة بانتظام للتحقق من تعرضه لأضرار. لا تقم بشد كابل الطاقة للجهاز. لا تضع أية أشياء على كابل الطاقة.

إذا كان كابل الطاقة متضررًا فيتعين أن يتم استبداله من قبل مركز الخدمة المعتمد الموصى به تجنبًا لمواقف الخطر.

إذا ما تجاوز ضغط تشغيل الوصلات الرئيسية قيمة 8 بار فيتعين أن يتم توصيل مخفض الضغط بخط الماء البارد قبل صمام السلامة. يتعين أن يكون مخفض الضغط بعيدًا عن الجهاز وقربيًا من العداد بقدر الإمكان.

**لا تقم مطلقًا باستخدام جهازك في الظروف التالية:**

إذا كان الجهاز أو كابل الطاقة

متضررًا.

إذا كان الجهاز لا يعمل بشكل سليم.

إذا كانت المكونات الكهربائية للجهاز متضررة بشكل واضح.

إذا كان الجهاز رطبًا، أو في حالة سقوطه في الماء أو أي سائل آخر،

أو تعريضه لماء متدفق، أو في حالة ملامسة مكوناته للماء،

في حالة انبعاث ضوضاء أو دخان أو رائحة غير من الجهاز،

في حالة اكتشاف أي من الحالات

المذكورة فيما سبق، أوقف الجهاز على الفور، وافصل مصدر إمداد الكهرباء واتصل بمركز خدمة معتمد.

تضرر الجهاز أو أجزاء الجهاز يمكن أن يتسبب في إصابات بالغة ونشوب حريق.

لا توجد أجزاء في الجهاز يستطيع المستخدم أن يتدخل فيها. خطر الإصابة بصدمة كهربائية يمكن أن ينشأ عند ملامسة التوصيلات

الكهربائية داخل الجهاز وعند تغيير البنية الميكانيكية للجهاز. إذا ما حدثت أية أعطال فلا تحاول التغلب عليها بنفسك. وإلا فسوف ينتفي الضمان.

استخدام الكماليات غير الموصى بها من قبل الشركة المنتجة قد يتسبب في حدوث إصابات وأضرار بالجهاز.

لا تلمس الجهاز أو تقم بتشغيله بأيدي مبتلة أو رطبة.

إذا نويت عدم استخدام الجهاز لفترة طويلة، فافصل مصدر إمداد الكهرباء عن الفيوز.

تأكد من إطفاء الجهاز وقطع التيار عن الفيوز/مفتاح الكهرباء في الحالات التالية:

– قبل التركيب،

– قبل التنظيف والصيانة،

– قبل إجراء إصلاحات.

لا تشرب الماء المنصرف من الجهاز. وإلا، فربما تحدث أضرار صحية بالغة.

في حالة إعادة تركيب الجهاز في مكان جديد، اتصل بمركز الخدمة المعتمد.

إرشادات أمان يجب مراعاتها أثناء التنظيف والصيانة

لتفادي خطر الصعقات الكهربائية، أطفئ الجهاز وافصل فيوزة أو مفاتيحه قبل التنظيف.

كل أعمال الصيانة والخدمة يتعين أن يتم القيام بها من قبل مراكز خدمة ALHAFIDH المعتمدة.

قضيبي المغنسيوم المستخدم المقاوم للصدأ بداخل الطبلية يتعين أن يتم فحصه كل سنة، وإن كان متآكلًا

فيتعين أن يتم استبداله لدى مركز الخدمة المعتمد.

للحصول على أفضل أداء من سخات حمامك الكهربائي فإنه ينصح بتنظيف الجهاز من

الترسبات الجيرية بداخله التي يمكن

أن تتكون على المقاومة جراء صلابة الماء ودرجات الحرارة العالية، وتلك الترسبات يتعين أن يتم التخلص منها كل عامين بصفة دورية منتظمة لدى مركز الخدمة المعتمد. يتعين أن يتم تنفيذ هذه العملية على مقاومة التسخين.

كل الإجراءات المذكورة أعلاه يتعين أن يتم تنفيذها لدى مركز الخدمة المعتمد.

الماء الساخن والمخففات السائلة غير الكحولية المحتوية على الأمونيا يتعين أن يتم استخدامها. وإلا فيمكن أن يتعرض السطح للضرر.

قم بتنظيف وصيانة الجهاز بالشكل الموضح في جزء "التنظيف والصيانة".

لا تستخدم المواد الكيماوية. لا تستخدم بعض المواد ذات الطبيعة الخاصة، مثل البنزين والمخففات وخلافه.

استخدام مخففات المساحيق يمكن أن ينتج عنه تعرض سطح سخان الحمام لخدوش.

إرشادات أمان يجب مراعاتها أثناء التداول والنقل

عند استخدام الجهاز فتتحقق من أن كل الوصلات الكهربائية منزوعة ومن التخلص من كل كمية الماء في الداخل. ضع أو ثبت الجهاز بالطريقة التي تمنع تعرضه للضرر عند الاستخدام.

## تحذيرات الأمان

إرشادات الأمان بشأن تركيب الجهاز  
تحذير: استخدام فطوية سخان حمامك بقيمة 230 فلت.

تحذير: تأكد من أن صمام السلامة مركب على منفذ الماء البارد. تم ضبط صمام السلامة أثناء تصنيع المنتج. لا يتعين أن يتم التدخل في آلية الضبط. ماء الضغط العالي سوف يتدفق من صمام السلامة. لا يوجد عيب وهو أمر مطلوب وفقاً لمواصفة السلامة.

تنبيه: يجب أن يتم تأريض سخان الحمام تماماً. إذا كنت تستعمل سخان حمامك بدون قابس فقم بشغيل جهازك بعد التوصيل بمصدر الطاقة المؤرض عن طريق مصهر مناسب، إذا كنت تستخدم سخان حمامك بقابس فلا تقم بالتشغيل إلا من خلال إدخاله في المقبس المؤرض. لا تتحمل الشركة المنتجة أية مسؤولية عن أي ضرر ينتج من التشغيل بدون تأريض.

تنبيه: لا تقم بتشغيل سخان حمامك دون التحقق من أنه مملوء تماماً بالماء. إذا كان الماء يتدفق بينما أنت تفتح غطاء الماء الساخن، فهذا يعني أن الجهاز مملوء تماماً بالماء.

تنبيه: عند تركيب سخان الحمام وتشغيله للمرة الأولى فاسأل وكيل

ALHAFIDH المعتمد

خدمة للمساعدة.

تنبيه: تجنب تركيب سخان الحمام في المواضع التي يكون فيها خطر التجمد.

تحذير: لا تستخدم كابلات التمديد

الكهربائي أو المضاعفات.

تنبيه: هذا الجهاز غير مخصص للاستخدام من قبل الأفراد الذين يعانون من إعاقة بدنية أو شعورية أو ذهنية (بما في ذلك الأطفال) أو يعانون قصوراً في الخبرة والمعرفة، إلا إذا كانوا تحت رقابة وإشراف شخص ما مسئول عن سلامة الجهاز، فيما يتعلق باستخدام الجهاز.

تحذير: إذا كان كابل الطاقة متضرراً فيتعين أن يتم استبداله من قبل مركز خدمة ALHAFIDH المعتمد تجنباً لمواقف الخطر.

يجب دائماً تركيب الجهاز وإجراء أعمال الإصلاح لدى مركز خدمة معتمد.

لا تتحمل الشركة المنتجة أية مسؤولية عن أي ضرر ينتج من التشغيل الذي يتم بمعرفة شخص غير معتمد.

تحذير: تم تصنيع سخان حمامك لأغراض الاستخدام ويمكن أن يتم استخدامه فقط في المنزل ولأغراض خاصة. وهو غير مناسب للاستخدام التجاري أو العادي.

تحذير: الماء الساخن لدرجة أعلى من 50°م أثناء الاستخدام يمكن أن يتسبب في التعرض للحرق أو حتى الوفاة جراء الحروق الشديدة. يرجى أن تراعي أن الأطفال والمسنين والمعاقين أكثر عرضة لخطر الحرق.

إرشادات الأمان بشأن استخدام الجهاز  
تنبيه: ثرموستات التحديد سوف يعيق المقاومة في حالة وجود درجات حرارة بالغة في الغلاية أو في حال وجود عيب في ثرموستات الضبط الحراري.

تنبيه: يمكنك تشغيل أو إطفاء سخان الحمام باستخدام مفتاح V الأوتوماتيكي. مفتاح V الأوتوماتيكي يعمل كمصهر.

تحذير: صمام السلامة مركب على منفذ الماء البارد لسخان الحمام. هذا الصمام من شأنه أن يمنع تصريف الماء للداخل في حال قطع المياه. تنبيه: يجب أن يتم الحفاظ على الظروف التالية عند تركيب واستخدام صمام الأمان.

نظراً لأن الماء يمكن أن يخرج من رأس التصريف فيتعين أن يتم ترك هذا الأنبوب مفتوحاً مع الهواء الجوي. منعاً لتقاطر الماء من أن يتسبب في الإضرار بالبيئة المحيطة فيمكنك أن تقم بتوصيله بصرف المجاريير باستخدام خرطوم مناسب.

يتعين أن يتم تشغيل الجهاز على فترات منعاً لتجمع المواد الجيرية والتحقق من عدم انسدادها. عند توصيل صمام السلامة بالجهاز فتتحقق من أن رأس التصريف موجهاً لأسفل. تشغيل الجهاز لأغراض أخرى غير تلك المخصصة له يمكن أن

يتسبب في الإضرار به أو وقوع مواقف خطيرة وإزالة الضمان. الأضرار الناشئة التي تصيب هذه الأوساط يتم التغلب عليها من قبل المستخدم.

منعاً لفرط تحميل الدائرة الكهربائية فلا تقم بتشغيل أي جهاز آخر عال استهلاك الطاقة على نفس الدائرة. لا تقم بالتوصيل باستخدام كابلات امتداد أو قوابس متعددة. في حالة الإهمال في ذلك، فربما يتسبب ذلك في صعقات كهربائية وتلفيات بالمنتج.

هذا الجهاز يمكن أن يتم استخدام ه من قبل الأطفال في عمر 8 سنوات أو أكثر ومن قبل الأفراد الذين يعانون من إعاقة بدنية أو شعورية أو ذهنية أو يعانون قصوراً في الخبرة والمعرفة، على أن يكونوا مزودين بالتعليمات والنصائح الخاصة بالاستخدام الآمن للجهاز واستيعابهم للمخاطر الناشئة عن الجهاز.

الموصلات الرئيسية لصمام السلامة المستخدمة في الجهاز يمكن أن تتسبب في إحداث تسريب في شفاط التسريب إذا ما تجاوز ضغط الماء قيمة 8 بار. هذا أمر طبيعي. عند انخفاض الضغط فسوف يتوقف التسريب. نظراً لإمكانية زيادة معدل تكون الصدأ مع تصريف الماء الموجود بداحل الجهاز وبقاء الجهاز فارغاً

4	تحذيرات الأمان
4	إرشادات الأمان بشأن تركيب الجهاز
5	إرشادات الأمان بشأن استخدام الجهاز
7	إرشادات أمان يجب مراعاتها أثناء التنظيف والصيانة
7	إرشادات أمان يجب مراعاتها أثناء التداول والنقل
8	التركيب
8	اختيار وضع التركيب
8	تحديد المسؤولية
9	المواصفات الفنية
10	مسافات التثبيت
10	الاتصالات الكهربائية
11	عرض عام
11	عناصر التحكم والمؤشرات
12	وظائف وخصائص سخان الحمام
12	القوة ضد الصدأ
12	القوة ضد ضغط الماء
12	العزل الحراري الفعال
12	ثرموستات التحديد
12	مفتاح V الأوتوماتيكي
12	صمام الأمان
12	
12	
13	معلومات عملية ومفيدة
13	اقتراحات للتشغيل
13	التنظيف والصيانة
13	توصيات توفير الطاقة
14	التغلب على الأعطال

في البداية، نهنئك على اختيارك لمنتج فائق التكنولوجيا وصديق للطبيعة من ALHAFIDH.

وحرصاً على تقديم منتجات تفوق توقعاتك، تقدم لك شركة ALHAFIDH جهاز TCA 1002S الذي تم تصنيعه بإتقان في مصانع ALHAFIDH الحديثة وتم اختبار جودته بمعايير صارمة ليتلائم مع استخداماتك. وسوف يرشدك دليل التشغيل هذا إلى طريقة استخدام جهازك. وسوف ترى أن جهازك مزود بأرقى الحلول التكنولوجية المطورة ويتمتع بسهولة الاستخدام. سوف تزيد فترة العمر الافتراضي للجهاز إذا ما كنت تقوم بإجراء أعمال الرعاية اللازمة والصيانة الضرورية. نتمنى لك الاستمتاع باستخدام جهازك.

#### معلومات مهمة بشأن السلامة

يشتمل دليل التشغيل هذا على معلومات مهمة بشأن بدء تشغيل الجهاز والاستخدام المقرر له وإجراءات التنظيف والصيانة. احتفظ دائماً بدليل التشغيل هذا مع جهازك. عندما تقوم بإقراض الجهاز، قم بتسليم دليل التشغيل هذا معه. اقرأ دليل التشغيل بعناية قبل استخدام جهازك لتفادي الإصابة بحروق أو الصعقات الكهربائية أو نشوب حريق أو خطر الإصابة، واتبع إرشادات تشغيل جهازك والتغلب على الأعطال والتنظيف. يجب تركيب مكيف الهواء بمعرفة مركز خدمة ALHAFIDH معتمد. يجب أن يتم تأريض سخان الحمام تماماً.

**تحذير:** يشير إلى خطر الموت أو حدوث إصابات خطيرة.



**تنبيه:** يشير إلى خطر حدوث إصابات أو أضرار بالممتلكات.

