



غسالة أطباق

دليل المستخدم

الجزء الأول: نسخة عامة

الموديل:

- DWHA-TT80WW ▲
- DWHA-TT81SS ▲

الرجاء قراءة هذا الدليل بعناية قبل تشغيل الجهاز،
و احتفظ به للرجوع إليه مستقبلا.

هذه التصاميم و المواصفات عرضة للتغيير بهدف إدخال تحسينات عليها
و ذلك دون إشعار مسبق.

ISO9001 CE CB



Dishwasher

User's Manual

Part I: General Version

Models:

- ▲ DWHA-TT80WW
- ▲ DWHA-TT81SS

Please read this manual carefully before operating your set.
Retain it for future reference.

Designs and specifications are subject to change for improvement
without prior notice.

ISO9001 CE CB



1 SAFETY INFORMATION	3
2 PRODUCT OVERVIEW	5
3 USING YOUR DISHWASHER	6
Loading The Salt Into The Softener.....	6
4 MAINTENANCE AND CLEANING	8
External Care	8
Internal Care	8
Caring For The Dishwasher	11
5 INSTALLATION INSTRUCTION	12
About Power Connection	12
Water Supply And Drain	13
Connection of Drain Hoses	14
Position The Appliance	15
Built-In Installation(for the integrated model)	16
6 TROUBLESHOOTING TIPS	18
7 LOADING THE BASKETS ACCORDING TO AS/NZS 2007.1.....	21



**Models: DWHA-TT80WW
DWHA-TT81SS**

💡 NOTE:

- Reviewing the section on troubleshooting Tips will help you solve some common problems by yourself.
- If you cannot solve the problems by yourself, please ask for help from a professional technician.
- The manufacturer, following a policy of constant development and updating of the product, may make modifications without giving prior notice.
- If lost or out-of-date, you can receive a new user manual from the manufacturer or responsible vendor.

⚠ WARNING

When using your dishwasher ,
follow the precautions listed below:

- This appliance is intended to be used in household and similar applications such as:
 - staff kitchen areas in shops, offices and other working environments;
 - farm houses;
 - by clients in hotels, motels and other residential type environments;
 - bed and breakfast type environments.
- This appliance can be used by children aged from 8 years and above and persons with reduced physical, sensory or mental capabilities or lack of experience and knowledge if they have been given supervision or instruction concerning use of the appliance in a safe way and understand the hazards involved.
Children shall not play with the appliance. Cleaning and user maintenance shall not be done by children without supervision.(For EN60335-1)
- This appliance is not intended for use by persons(including children)with reduced physical, sensory or mental capabilities, or lack of experience and knowledge ,unless they have been given mental capabilities, or lack of experience and knowledge, unless they have been given supervision or instruction concerning use of the appliance by a person responsible for their safety.
(For IEC60335-1)
- Packaging material could be dangerous for children!
- This appliance is for indoor household use only.
To protect against the risk of electrical shock, do not immerse the unit, cord or plug in water or other liquid.
- Please unplug before cleaning and performing maintenance on the appliance.
- Use a soft cloth moistened with mild soap, and then use a dry cloth to wipe it again.

⚡ Earthing Instructions

- This appliance must be earthed. In the event of a malfunction or breakdown, earthing will reduce the risk of an electric shock by providing a path of least resistance of electric current. This appliance is equipped with an earthing conductor plug.
- The plug must be plugged into an appropriate outlet that is installed and earthed in accordance with all local codes and ordinances.
- Improper connection of the equipment-earthing conductor can result in the risk of an electric shock.
- Check with a qualified electrician or service representative if you are in doubt whether the appliance is properly grounded.

- Do not modify the plug provided with the appliance; If it does not fit the outlet.
- Have a proper outlet installed by a qualified electrician.
- Do not abuse, sit on, or stand on the door or dish rack of the dishwasher.
- Do not operate your dishwasher unless all enclosure panels are properly in place.
- Open the door very carefully if the dishwasher is operating, there is a risk of water squirting out.
- Do not place any heavy objects on or stand on the door when it is open. The appliance could tip forward.
- When loading items to be washed:
 - 1) Locate sharp items so that they are not likely to damage the door seal;
 - 2) Warning: Knives and other utensils with sharp points must be loaded in the basket with their points facing down or placed in a horizontal position.
- Some dishwasher detergents are strongly alkaline. They can be extremely dangerous if swallowed.
Avoid contact with the skin and eyes and keep children away from the dishwasher when the door is open.
- Check that the detergent powder is empty after completion of the wash cycle.
- Do not wash plastic items unless they are marked
"dishwasher safe" or the equivalent.
- For unmarked plastic items not so marked, check the manufacturer's recommendations.
- Use only detergent and rinse agents recommended for use in an automatic dishwasher.
- Never use soap, laundry detergent, or hand washing detergent in your dishwasher.
- The door should not be left open, since this could increase the risk of tripping.
If the supply cord is damaged, it must be replaced by the manufacturer or its service agent or a similarly qualified person in order to avoid a hazard.
- During installation, the power supply must not be excessively or dangerously bent or flattened.
- Do not tamper with controls.
- The appliance needs to be connected to the main water valve using new hose sets. Old sets should not be reused.
- To save energy, in stand by mode , the appliance will switch off automatically while there is no any operation in 30 minutes.
The maximum number of place settings to be washed is 8.
The maximum permissible inlet water pressure is 1MPa.
The minimum permissible inlet water pressure is 0.04MPa.

Disposal

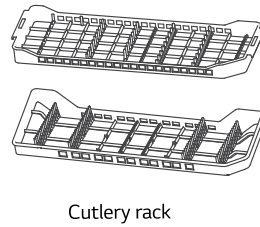
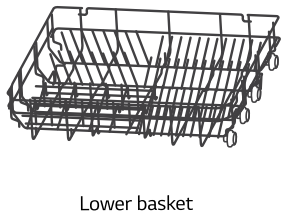
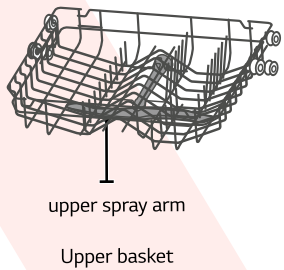
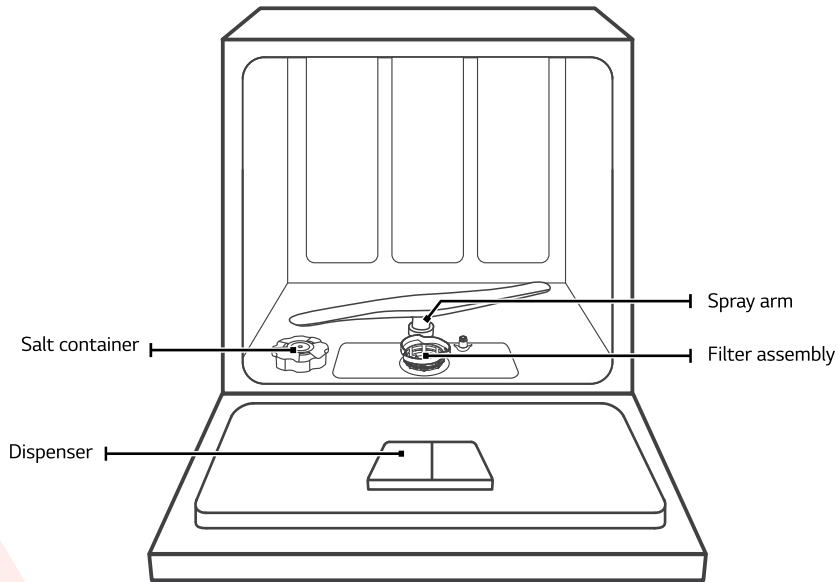
- For disposing of package and the appliance please go to a recycling center.
Therefore cut off the power supply cable and make the door closing device unusable.
- Cardboard packaging is manufactured from recycled paper and should be disposed in the waste paper collection for recycling.
- By ensuring this product is disposed of correctly, you will help prevent potential negative consequences for the environment and human health, which could otherwise be caused by inappropriate waste handling of this product.
- For more detailed information about recycling of this product, please contact your local city office and your household waste disposal service.
- **DISPOSAL: Do not dispose this product as unsorted municipal waste.**
Collection of such waste separately for special treatment is necessary.



PRODUCT OVERVIEW

❗ IMPORTANT:

To get the best performance from your dishwasher, read all operating instructions before using it for the first time.

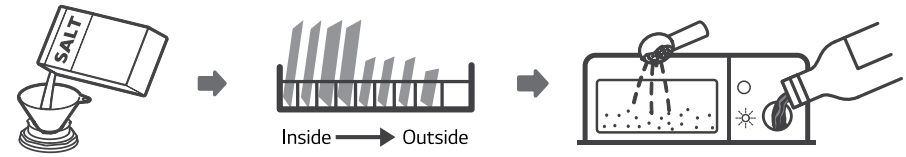


💡 NOTE:

Pictures are only for reference, different models may be different. Please prevail in kind.

USING YOUR DISHWASHER

Before using your dishwasher :



1. Set the water softener
2. Loading the Salt Into the Softener
3. Loading the basket
4. Fill the dispenser



Please check the section 1 "Water Softener" of PART II: Special Version, If you need to set the water softener.

Loading The Salt Into The Softener

💡 NOTE:

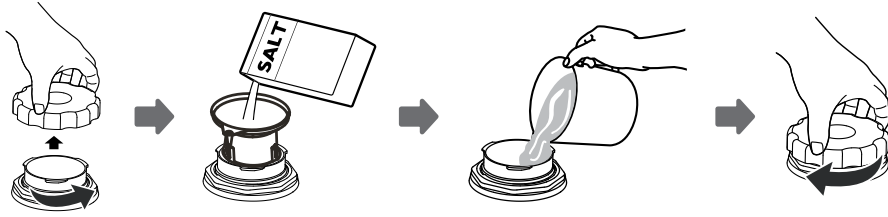
If your model does not have any water softener, you may skip this section. Always use salt intended for dishwasher use. The salt container is located beneath the lower basket and should be filled as explained in the following:

⚠ WARNING


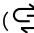
- Only use salt specifically designed for dishwashers use! Every other type of salt not specifically designed for dishwasher use, especially table salt, will damage the water softener. In case of damages caused by the use of unsuitable salt the manufacturer does not give any warranty nor is liable for any damages caused.
- Only fill with salt before running a cycle. This will prevent any grains of salt or salty water, which may have been spilled, remaining on the bottom of the machine for any period of time, which may cause corrosion.

PRODUCT OVERVIEW

Please follow the steps below for adding dishwasher salt:



1. Remove the lower basket and unscrew the reservoir cap.
2. Place the end of the funnel (if supplied) into the hole and pour in about 1kg of dishwasher salt.
3. Before first wash, fill the salt container to its maximum limit with water, It is normal for a small amount of water to come out of the salt container.
4. After filling the container, screw back the cap tightly.
5. The salt warning light will stop being after the salt container has been filled with salt.
6. Immediately after filling the salt into the salt container, a washing program should be started (We suggest to use a short program). Otherwise the filter system, pump or other important parts of the machine may be damaged by salty water. This is out of warranty.

-  Note:
- The salt container must only be refilled when the salt warning light () in the control panel comes on. Depending on how well the salt dissolves, the salt warning light may still be on even though the salt container is filled.
 - If there is no salt warning light in the control panel (for some Models), you can estimate when to fill the salt into the softener by the cycles that the dishwasher has run.
 - If salt has spilled, run a soak or quick program to remove it.

MAINTENANCE AND CLEANING

External Care

- **The door and the door seal**
Clean the door seals regularly with a soft damp cloth to remove food deposits. When the dishwasher is being loaded, food and drink residues may drip onto the sides of the dishwasher door. These surfaces are outside the wash cabinet and are not accessed by water from the spray arms. Any deposits should be wiped off before the door is closed.
- **The control panel**
If cleaning is required, the control panel should be wiped with a soft damp cloth ONLY.


WARNING

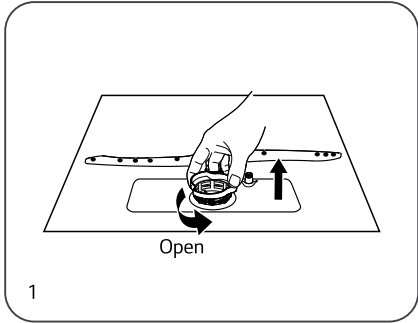
- To avoid penetration of water into the door lock and electrical components, do not use a spray cleaner of any kind.
- Never use abrasive cleaners or scouring pads on the outer surfaces because they may scratch the finish. Some paper towels may also scratch or leave marks on the surface.

Internal Care

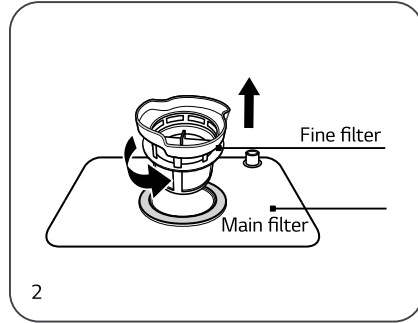
Filtering system

The filtering system in the base of the wash cabinet retains coarse debris from the washing cycle. The collected coarse debris may cause the filters to clog. Check the condition of the filters regularly and clean them if necessary under running water. Follow the steps below to clean the filters in the wash cabinet.

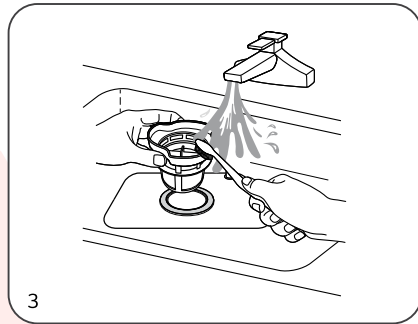
-  Note:
- Pictures are only for reference, different models of the filtering system and spray arms may be different. Please prevail in kind.



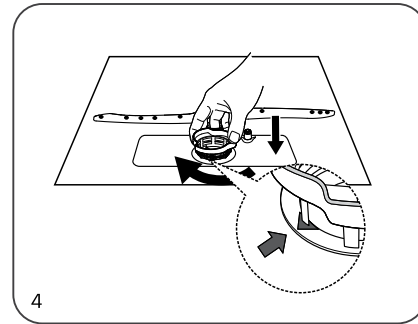
1
Hold the coarse filter and rotate it 2 anticlockwise to unlock the filter. Lift the filter upwards and out of the dishwasher.



2
Lift fine filter up from main filter.



3
Larger food remnants can be cleaned by rinsing the filter under running water. For a more thorough clean, use a soft cleaning brush.



4
Reassemble the filters in the reverse order of the disassembly, replace the filter insert, and rotate clockwise to the close arrow.

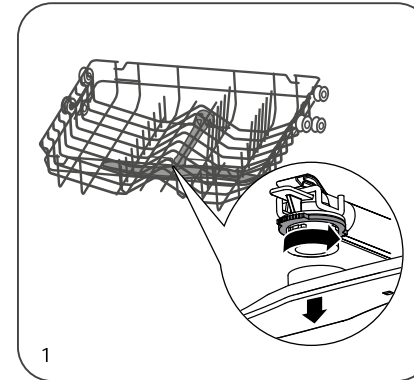
⚠ WARNING

- Do not over tighten the filters. Put the filters back in sequence securely, otherwise coarse debris could get into the system and cause a blockage.
- NEVER use the dishwasher without filters in place. Improper replacement of the filter may reduce the performance level of the appliance and damage dishes and utensils.

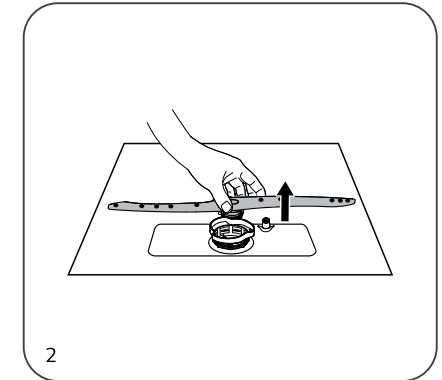
Spray arms

It is necessary to clean the spray arms regularly for hard water chemicals will clog the spray arm jets and bearings.

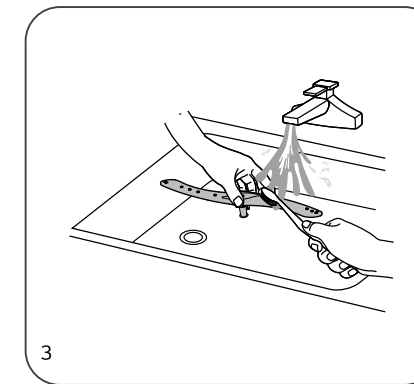
To clean the spray arms, follow the instructions below:



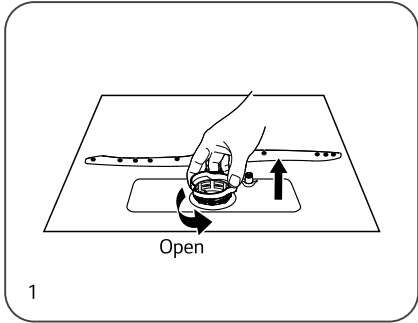
1
To remove the upper spray arm, hold the nut in the center still and rotate the spray arm counterclockwise to remove it.



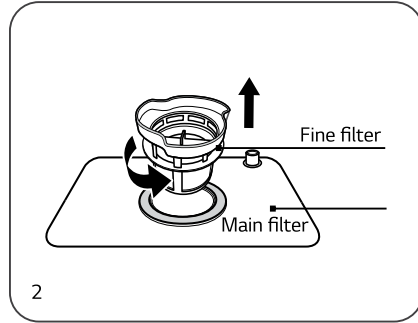
2
To remove the lower spray arm, pull out the spray arm upward.



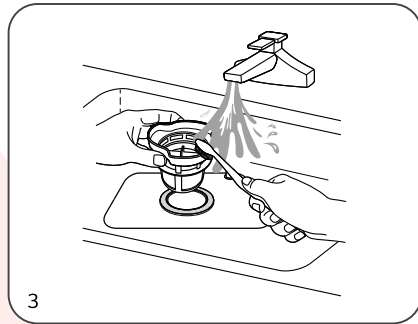
3
Wash the arms in soapy and warm water and use a soft brush to clean the jets. Replace them after rinsing them thoroughly.



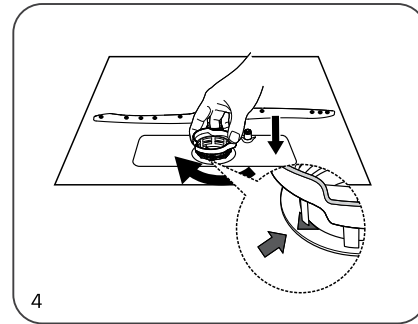
1 Hold the coarse filter and rotate it 2 anticlockwise to unlock the filter. Lift the filter upwards and out of the dishwasher.



2 Lift fine filter up from main filter.



3 Larger food remnants can be cleaned by rinsing the filter under running water. For a more thorough clean, use a soft cleaning brush.



4 Reassemble the filters in the reverse order of the disassembly, replace the filter insert, and rotate clockwise to the close arrow.

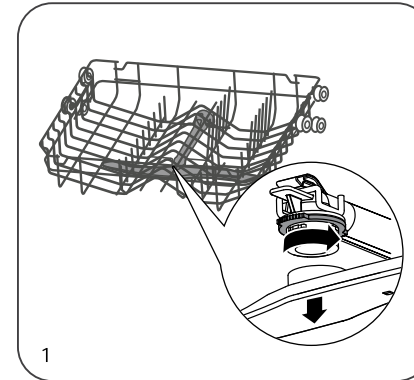
⚠ WARNING

- Do not over tighten the filters. Put the filters back in sequence securely, otherwise coarse debris could get into the system and cause a blockage.
- NEVER use the dishwasher without filters in place. Improper replacement of the filter may reduce the performance level of the appliance and damage dishes and utensils.

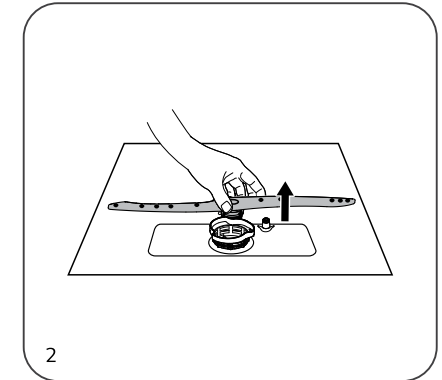
Spray arms

It is necessary to clean the spray arms regularly for hard water chemicals will clog the spray arm jets and bearings.

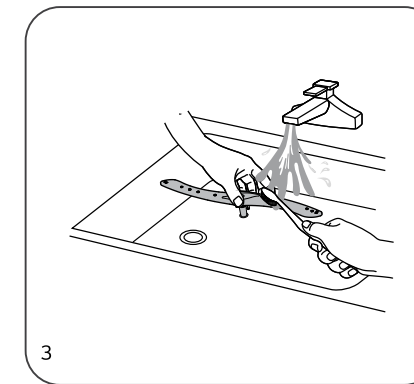
To clean the spray arms, follow the instructions below:



1 To remove the upper spray arm, hold the nut in the center still and rotate the spray arm counterclockwise to remove it.



2 To remove the lower spray arm, pull out the spray arm upward.



3 Wash the arms in soapy and warm water and use a soft brush to clean the jets. Replace them after rinsing them thoroughly.

Frost precaution

please take frost protection measures on the dishwasher in winter. Every after washing cycles, please operate as follows:

1. Cut off the electrical power to the dishwasher at the supply source.
2. Turn off the water supply and disconnect the water inlet pipe from the water valve.
3. Drain the water from the inlet pipe and water valve. (Use a pan to gather the water)
4. Reconnect the water inlet pipe to the water valve.
5. Remove the filter at the bottom of the tub and use a sponge to soak up water in the sump.

After every wash

After every wash, turn off the water supply to the appliance and leave the door slightly open so that moisture and odors are not trapped inside.

Remove the plug

Before cleaning or performing maintenance, always remove the plug from the socket.

No solvents or abrasive cleaning

To clean the exterior and rubber parts of the dishwasher, do not use solvents or abrasive cleaning products.

Only use a cloth with warm soapy water.

To remove spots or stains from the surface of the interior, use a cloth dampened with water an a little vinegar, or a cleaning product made specifically for dishwashers.

When not in use for a longtime

It is recommend that you run a wash cycle with the dishwasher empty and then remove the plug from the socket, turn off the water supply and leave the door of the appliance slightly open. This will help the door seals to last longer and prevent odors from forming within the appliance.

Moving the appliance

If the appliance must be moved, try to keep it in the vertical position. If absolutely necessary, it can be positioned on its back.

⚠ WARNING



Electrical Shock Hazard
Disconnect electrical power before installing dishwasher.
Failure to do so could result in death or electrical shock.

⚠ Attention

The installation of the pipes and electrical equipments should be done by professionals.

About Power Connection

⚠ WARNING

For personal safety:

- Do not use an extension cord or an adapter plug with this appliance.
- Do not, under any circumstances, cut or remove the earthing connection from the power cord.

Electrical requirements

Please look at the rating label to know the rating voltage and connect the dishwasher to the appropriate power supply. Use the required fuse 10A/13A/16A, time delay fuse or circuit breaker recommended and provide separate circuit serving only this appliance.

Electrical connection

Ensure the voltage and frequency of the power being corresponds to those on the rating plate. Only insert the plug into an electrical socket which is earthed properly. If the electrical socket to which the appliance must be connected is not appropriate for the plug, replace the socket, rather than using a adaptors or the like as they could cause overheating and burns.

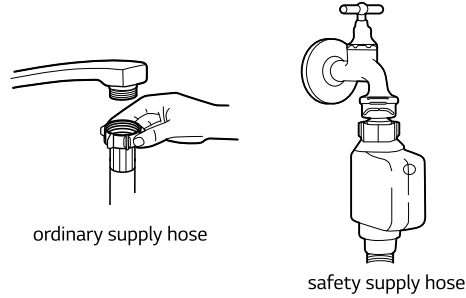
⚠ Ensure that proper earthing exists before use

Water Supply And Drain

Cold water connection

Connect the cold water supply hose to a threaded 3/4(inch) connector and make sure that it is fastened tightly in place.

If the water pipes are new or have not been used for an extended period of time, let the water run to make sure that the water is clear. This precaution is needed to avoid the risk of the water inlet to be blocked and damage the appliance.



About the safety supply hose

The safety supply hose consists of the double walls. The hose's system guarantees its intervention by blocking the flow of water in case of the supply hose breaking and when the air space between the supply hose itself and the outer corrugated hose is full of water.

⚠ WARNING

A hose that attaches to a sink spray can burst if it is installed on the same water line as the dishwasher. If your sink has one, it is recommended that the hose be disconnected and the hole plugged.

How to connect the safety supply hose

1. Pull The safety supply hoses completely out from storage compartment located at rear of dishwasher.
2. Tighter the screws of the safety supply hose to the faucet with thread 3/4inch.
3. Turn water fully on before starting the dishwasher.

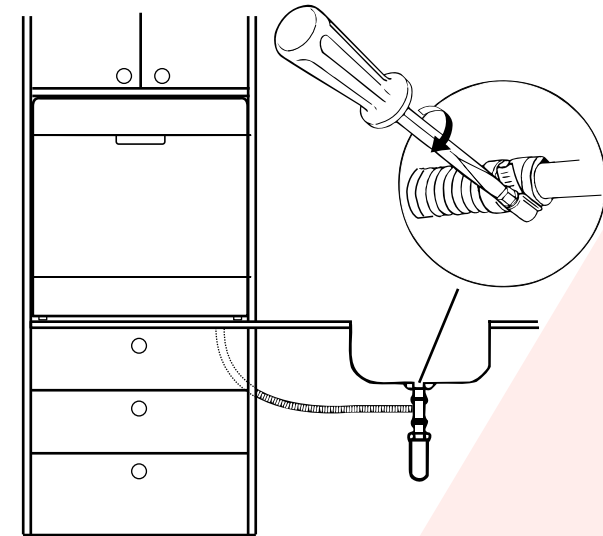
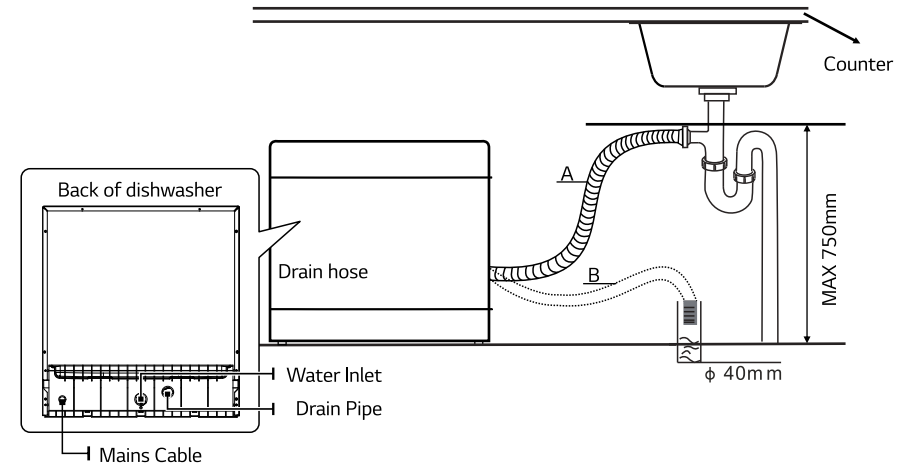
How to disconnect the safety supply hose

1. Turn off the water.
2. Unscrew the safety supply hose from the faucet.

Connection Of Drain Hoses

Insert the drain hose into a drain pipe with a minimum diameter of 4 cm, or let it run into the sink, making sure to avoid bending or crimping it. The height of drain pipe must be less than 750mm. The free end of the hose must not be immersed in water to avoid the back flow of it.

- ⚠ Please securely fix the drain hose in either position A or position B



Water Supply And Drain

How to drain excess water from hoses

If the sink is 1000 higher from the floor, the excess water in hoses cannot be drained directly into the sink. It will be necessary to drain excess water from hoses into a bowl or suitable container that is held outside and lower than the sink.

Water outlet

Connect the water drain hose. The drain hose must be correctly fitted to avoid water leaks. Ensure that the water drain hose is not kinked or squashed.

Extension hose

If you need a drain hose extension, make sure to use a similar drain hose. It must be no longer than 4 meters; otherwise the cleaning effect of the dishwasher could be reduced.

Syphon connection

The waste connection must be at a height less than 100 cm (maximum) from the bottom of the dish. The water drain hose should be fixed.

Position The Appliance

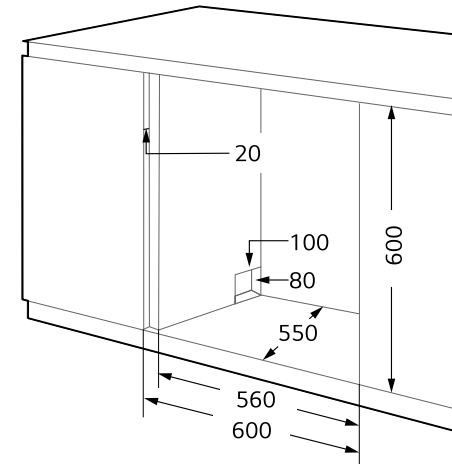
Position the appliance in the desired location. The back should rest against the wall behind it, and the sides, along the adjacent cabinets or walls. The dishwasher is equipped with water supply and drain hoses that can be positioned either to the right or the left sides to facilitate proper installation.

Built-In Installation(for the integrated model)

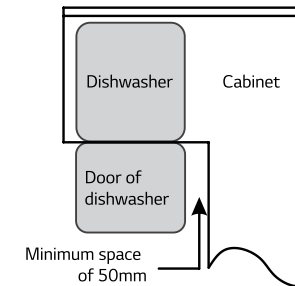
Step 1. Selecting the best location for the dishwasher

The installation position of dishwasher should be near the existing inlet and drain hoses and power cord. Illustrations of cabinet dimensions and installation position of the dishwasher.

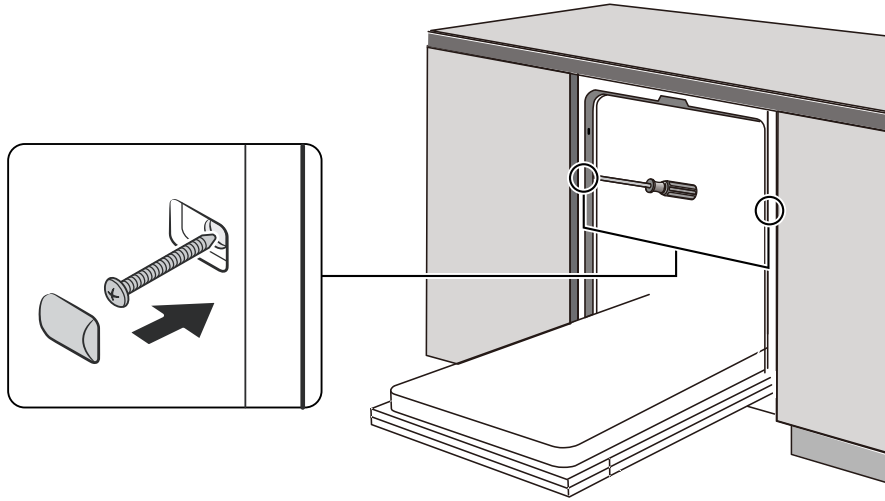
1. Less than 5 mm between the top of dishwasher and cabinet and the outer door aligned to cabinet.



2. If dishwasher is installed at the corner of the cabinet, there should be some space when the door is opened.



Step 2. Install the dishwasher in cabinet



Troubleshooting Tips

Before Calling For Service

Reviewing the charts on the following pages may save you from calling for service.

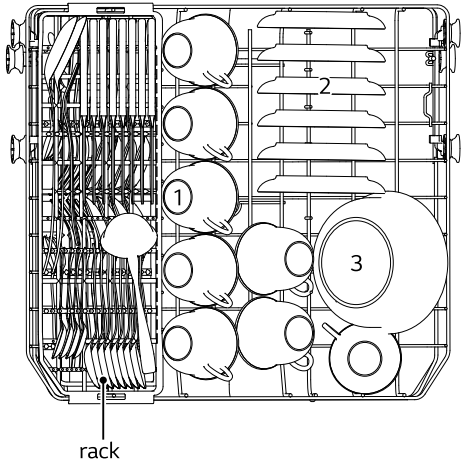
Problem	Possible causes	Solution
Dishwasher doesn't start	Fuse blown, or the circuit breaker tripped.	Replace fuse or reset circuit breaker. Remove any other appliances sharing the same circuit with the dishwasher.
	Power supply is not turned on.	Make sure the dishwasher is turned on and the door is closed securely. Make sure the power cord is properly plugged into the wall socket.
	Door of dishwasher not properly closed.	Make sure to close the door properly and latch it.
Water not pumped from dishwasher	Kink in drain hose	Check drain hose.
	Filter clogged.	Check the coarse filter. (see section titled " Internal Care ")
	Kitchen sink clogged.	Check the kitchen sink to make sure it is draining well. If the problem is the kitchen sink that is not draining , you may need a plumber rather than a serviceman for dishwashers.
Suds in the tub	Improper detergent	Use only the special dishwasher detergent to avoid suds. If this occurred, open the dishwasher and let suds evaporate. Add 1 gallon of cold water to the tub. Close and latch the dishwasher, then Start any wash cycle to drain out the water. Repeat if necessary.
	Spilled rinse-aid.	Always wipe up rinse-aid spills immediately.
Stained tub interior	Detergent with colourant may have been used.	Make sure that the detergent has no colourant.
White film on inside surface	Hard water minerals.	To clean the interior, use a damp sponge with dishwasher detergent and wear rubber gloves. Never use any other cleaner than dishwasher detergent for the risk of foaming or suds.

Problem	Possible causes	Solution
There are rust stains on cutlery	The affected items are not corrosion resistant.	Avoid washing items that are not corrosion resistant in the dishwasher.
	A program was not run after dishwasher salt was added. Traces of salt have gotten into the wash cycle.	Always run the quick wash program. without any crockery in the dishwasher and without selecting the Turbo function (if present), after adding dishwasher salt.
	The lid of the softer is loose.	Check the lip. Ensure the fix is fine.
Knocking noise in the wash cabinet	The spray arm is knocking against an item in a basket.	Interrupt the program, and rearrange the items which are obstructing the spray arm.
Rattling noise in the wash cabinet	Item of crockery are loose in the wash cabinet.	Interrupt the program, and rearrange the items of crockery.
Knocking noise in the water pipes	This may be caused by on-site installation or the cross-section of the piping.	This has no influence on the dishwasher function. If in doubt, contact a qualified plumber.
The dishes are not clean	The dishes were not loaded correctly.	See PART II "Preparing And Loading Dishes".
	The program was not powerful enough.	Select a more intensive program.
	Not enough detergent was dispensed.	Use more detergent, or change your detergent.
	Item are blocking the path of spray arms.	Rearrange the items so that the spray can rotate freely.
	The filter combination in the base of wash cabinet is not clean or is not correctly fitted. This may cause the spray arm jets to get blocked.	Clean and/or fit the filter correctly. Clean the spray arm jets.

Problem	Possible causes	Solution
Cloudiness on glassware.	Combination of soft water and too much detergent.	Use less detergent if you have soft water and select a shorter cycle to wash the glassware and to get them clean.
Black or grey marks on dishes	Aluminium utensils have rubbed against dishes	Use a mild abrasive cleaner to eliminate those marks.
Detergent left in dispenser cups	Dishes block detergent dispenser cups	Re-loading the dishes properly.
The dishes are not drying	Improper loading	Load the dishwasher as suggested in the directions.
	Dishes are removed too soon	Do not empty your dishwasher immediately after washing. Open the door slightly so that the steam can escape. Begin unloading the dishwasher only once the dishes are barely warm to the touch. Empty the low basket first. This prevents water from dropping off dishes in the upper basket.
	Wrong program has been selected.	In short programs the washing temperature is lower. This also lowers cleaning performance. Choose a program with a long washing time.
	Use of cutlery with a low-quality coating.	Water drainage is more difficult with these items. Cutlery or dishes of this type are not suitable for washing in the dishwasher.

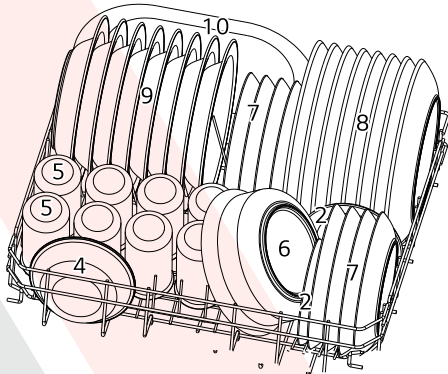
LOADING THE BASKETS ACCORDING TO EN50242:

1.Upper basket:



Number	Item
1	Cups
2	Saucers
3	Medium serving bowl
4	Small serving bowl
5	Glasses

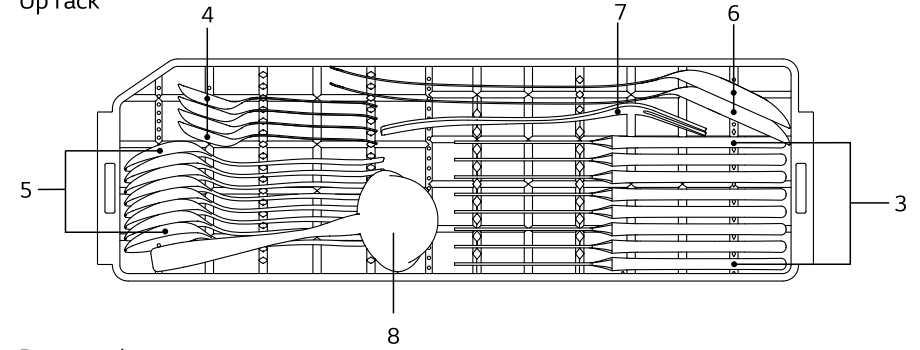
2.Lower basket:



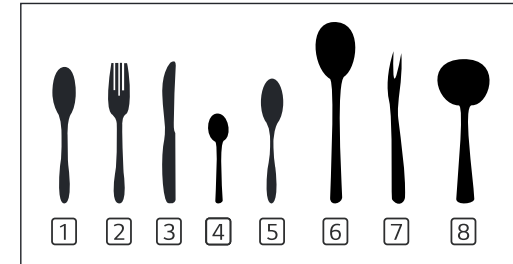
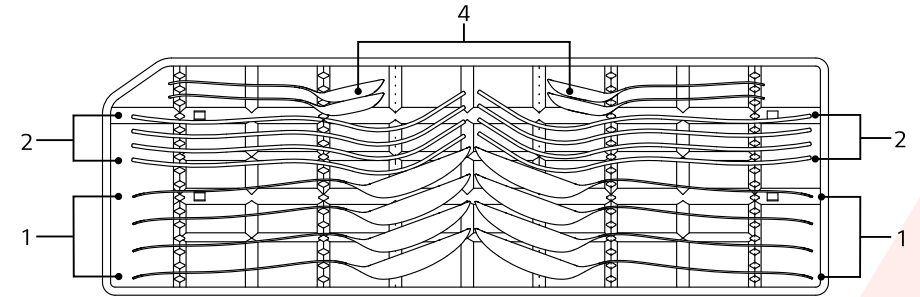
Number	Item
6	Large serving bowl
7	Dessert dishes
8	Dinner plates
9	Soup plates
10	Oval platter

3.Cutlery rack:

Up rack



Down rack



Number	Item
1	Soup spoons
2	Forks
3	Knives
4	Teaspoons
5	Dessert spoons
6	Serving spoons
7	Serving forks
8	Gravy ladles

Information for comparability tests in accordance with EN 50242

Capacity: 8 place settings

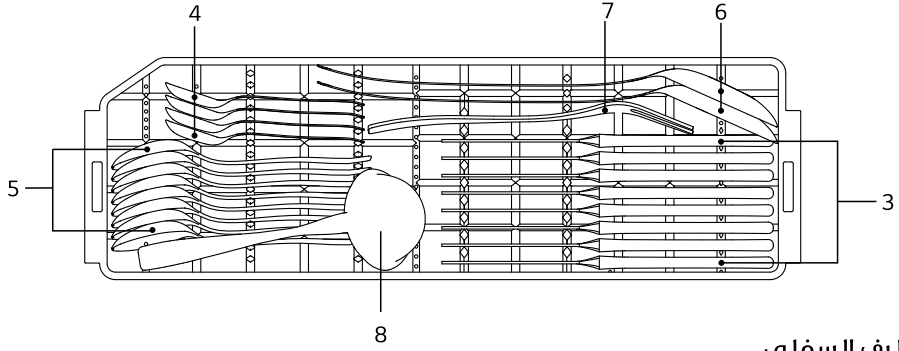
Position of the upper basket: lower position

Program: ECO

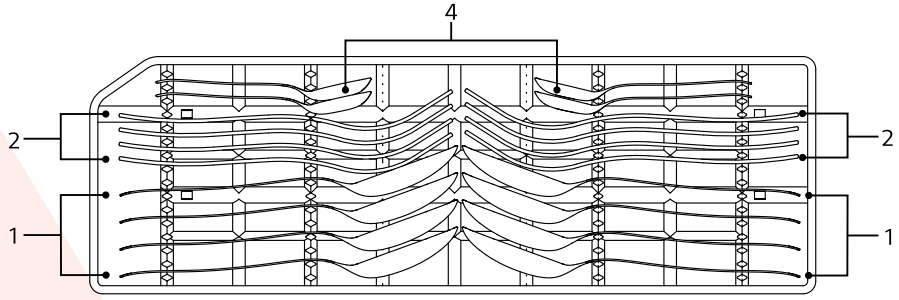
Rinse aid setting: 6

Softener setting: H4

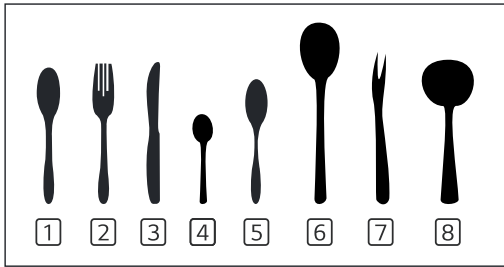
3-سلة أدوات المائدة: الرف العلوي



الرف السفلي

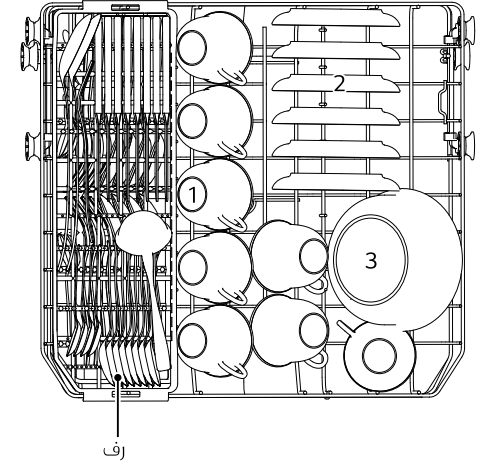


العنصر	الرقم
ملاعق حساء	1
شوك	2
سكاكين	3
ملاعق صغيرة	4
ملاعق حلوى	5
ملاعق طبخ	6
شوك طبخ	7
مغارف المرق	8



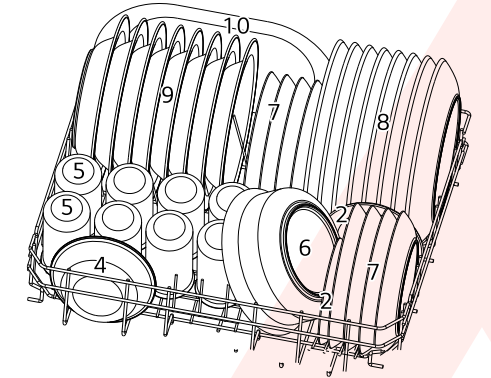
معلومات للمقارنة
الاختبارات وفقاً لـ 50242 EN
السعة: 8 إعدادات المكان
موضع السلة العلوية: الوضع السفلي
البرنامج: ECO
إعداد مساعد الشطف: 6
إعداد المنقّي: H4

تحميل السلال وفقاً لـ AS / NZS 2007.1 1- السلة العلوية



العنصر	الرقم
أكواب	1
صحون	2
وعاء متوسط	3
وعاء صغير	4
زجاج	5

2- السلة السفلية



العنصر	الرقم
وعاء كبير	6
صحون الحلوى	7
صحون عشاء	8
صحون الحساء	9
طبق بيضاوي	10

المشكلة	الأسباب الممكنة	الحل
ضباب على الأواني الزجاجية.	مزيج من الماء العذب والمنظفات الرائدة.	استخدم كمية أقل من المنظفات إذا كان لديك ماء عذب واختر دورة أقصر لغسل الأواني الزجاجية وتنظيفها.
علامات سوداء أو رمادية على الصدون	تم حك أواني الألومنيوم بالصدون	استخدم منظفاً كاشطاً خفيفاً للتخلص من تلك العلامات.
بقاء منظف في مكان الموزع	صدون تعيق توزيع المنظف	أعد تحميل الصدون بشكل صحيح.
الصدون لا تجف	تحميل غير صحيح	قم بتحميل غسالة الصدون على النحو المقترح في الإرشادات.
ضوضاء خشنة في كابينة الغسيل	يتم إزالة الصدون في وقت قريب جداً	لا تفرغ غسالة الصدون مباشرة بعد الغسيل. افتح الباب قليلاً حتى يتسرب البخار. ابدأ في تفرغ غسالة الصدون بمجرد أن تصبح الصدون دافئة للغاية. إفراغ السلة المنخفضة أولاً. هذا يمنع الماء من سقوط الصدون في السلة العلوية.
ضجيج ضرب في أنابيب المياه	قد يكون هذا بسبب التركيب في الموقع أو المقطع العرضي للأنابيب.	هذا ليس له تأثير على وظيفة غسالة الصدون. إذا كنت في شك، فاتصل بسباك مؤهل.
الصدون ليست نظيفة	لم يتم وضع الصدون في الغسالة بشكل صحيح.	انظر الجزء الثاني "تحضير الصدون وتحميلها".
لم يتم تنظيف المنظفات أو قم بتغيير المنظف.	البرنامج لم يكن قوياً بما فيه الكفاية.	حدد برنامجاً أكثر كثافة.
العنصر يسد مسار الرش.	لم يتم صرف كمية كافية من المنظفات.	استخدم المزيد من المنظفات أو قم بتغيير المنظف.
تركيبة الفلتر في قاعدة كابينة الغسيل غير نظيفة أو غير مركبة بشكل صحيح.	أعد ترتيب العناصر بحيث يمكن للرش أن يدور بحرية.	قم بتنظيف و / أو تركيب الفلتر بشكل صحيح. نظف نفائات ذراع الرش.

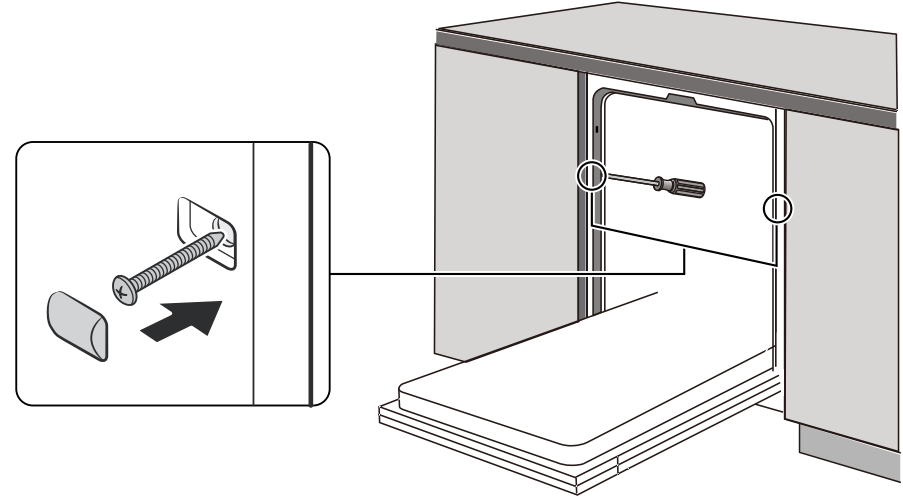
المشكلة	الأسباب الممكنة	الحل
توجد بقع صدأ على أدوات المائدة	العناصر المتضررة ليست مقاومة للتآكل.	تجنب غسل العناصر غير المقاومة للتآكل في غسالة الصدون.
غسالة الصدون لا تعمل	لم يتم تشغيل البرنامج بعد إضافة ملح غسالة الصدون. دخلت آثار الملح في دورة الغسيل.	قم دائماً بتشغيل برنامج الغسيل السريع. بدون أي آتية فخرية في غسالة الصدون ودون تحديد وظيفة التريبتة (إن وجدت). بعد إضافة ملح غسالة الصدون.
غطاء المنعم فضفاض.	افحص الغطاء. تأكد من أن التركيب جيد.	
ضجيج ضرب في كابينة الغسيل	ذراع الرش يطرق على عنصر في سلة.	قم بوقف البرنامج، وأعد ترتيب العناصر التي تعيق ذراع الرش.
ضوضاء خشنة في كابينة الغسيل	قطعة من الأواني الفخرية متحركة في كابينة الغسيل.	قم بوقف البرنامج، وأعد ترتيب عناصر الأواني الفخرية.
ضجيج ضرب في أنابيب المياه	قد يكون هذا بسبب التركيب في الموقع أو المقطع العرضي للأنابيب.	هذا ليس له تأثير على وظيفة غسالة الصدون. إذا كنت في شك، فاتصل بسباك مؤهل.
الصدون ليست نظيفة	لم يتم وضع الصدون في الغسالة بشكل صحيح.	انظر الجزء الثاني "تحضير الصدون وتحميلها".
لم يتم تنظيف المنظفات أو قم بتغيير المنظف.	البرنامج لم يكن قوياً بما فيه الكفاية.	حدد برنامجاً أكثر كثافة.
العنصر يسد مسار الرش.	لم يتم صرف كمية كافية من المنظفات.	استخدم المزيد من المنظفات أو قم بتغيير المنظف.
تركيبة الفلتر في قاعدة كابينة الغسيل غير نظيفة أو غير مركبة بشكل صحيح.	أعد ترتيب العناصر بحيث يمكن للرش أن يدور بحرية.	قم بتنظيف و / أو تركيب الفلتر بشكل صحيح. نظف نفائات ذراع الرش.

قبل طلب الخدمة

قد نغنيك مراجعة المعلومات الموجودة في الصفحات التالية من الاتصال بالخدمة.

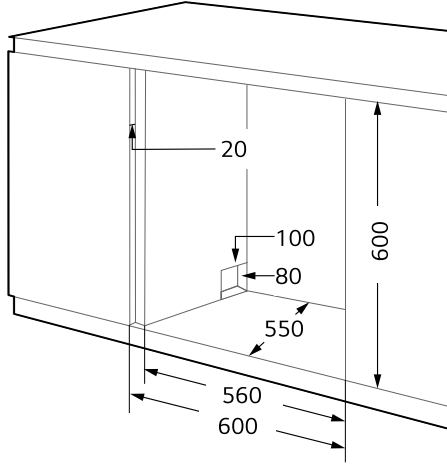
المشكلة	الأسباب الممكنة	الحل
غسالة الصحون لا تعمل	تفجير المصهر (فيوز)، أو تعثر قاطع الدائرة، أو تعثر قاطع الدائرة، أو تعثر قاطع الدائرة، أو تعثر قاطع الدائرة.	استبدل المصهر أو أعد ضبط قاطع الدائرة، قم بإزالة أي أجهزة أخرى تشترك في نفس الدائرة مع غسالة الصحون.
لم يتم تشغيل مصدر الطاقة.	تأكد من تشغيل غسالة الصحون وإغلاق الباب بإحكام. تأكد من توصيل سلك الطاقة بشكل صحيح بمقبس الحائط.	
باب غسالة الصحون غير مغلق بشكل صحيح.	تأكد من إغلاق الباب بشكل صحيح وتثبيتته.	
غسالة الصحون لا تعمل	فيلتر مسدود.	افحص خرطوم الصرف. افحص الفلتر الخشن. (راجع قسم "العناية الداخلية")
غسالة الصحون لا تعمل	حوض المطبخ مسدود.	افحص حوض المطبخ للتأكد من تصريفه جيداً. إذا كانت المشكلة هي أن حوض المطبخ لا يصرف، فقد تحتاج إلى سباك بدلاً من عامل خدمة لغسالات الصحون.
رغوة في الحوض	منظف غير مناسب	استخدم فقط منظف غسالة الصحون الخاص لتجنب رغوة الصابون. إذا حدث ذلك، افتح غسالة الصحون واترك رغوة الصابون تتبخر. أضف الجالون من الماء البارد إلى الحوض. أغلق غسالة الصحون وأغلقها، ثم ابدأ أي دورة غسيل لتصريف المياه. كرر إذا لزم الأمر.
مساعد الشطف المنسكب.	امسح دائماً بقع مساعد الشطف على الفور.	
حوض ملطخ من الداخل	تأكد من أن المنظف ليس له لون.	
شريط أبيض على السطح الداخلي	معادن الماء الصلبة.	لتنظيف الجزء الداخلي، استخدم إسفنجة مبللة بمنظف غسالة الصحون وارتد قفازات مطاطية. لا تستخدم أي منظف آخر غير منظف غسالة الصحون لخطر الرغوة أو رغوة الصابون.

الخطوة الثانية. قم بتركيب غسالة الصحون في الكابينة

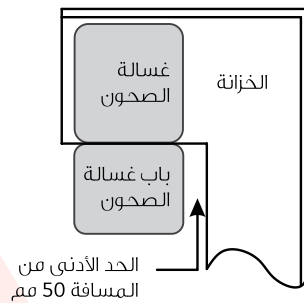


التثبيت المدمج (للطراز المدمج)

الخطوة 1. اختيار أفضل مكان لغسالة الصحن يجب أن يكون موضع تركيب غسالة الصحن بالقرب من مدخل خراطيم التصريف وسلك الطاقة الحاليين. الرسوم التوضيحية لأبعاد الكابينة وموضع تركيب غسالة الصحن.
1- أقل من 5 مم بين الجزء العلوي من غسالة الصحن والكابينة والباب الخارجي المحاذي للخزانة.



2- إذا تم تركيب غسالة الصحن في زاوية الكابينة، يجب أن يكون هناك بعض المسافة عند فتح الباب.



كيفية تصريف المياه الزائدة من الخراطيم

إذا كان الحوض أعلى بمقدار 1000 عن الأرض، فلا يمكن تصريف المياه الزائدة في الخراطيم مباشرة في الحوض. سيكون من الضروري تصريف المياه الزائدة من الخراطيم في حاوية أو وعاء مناسب يكون بالخارج وأسفل من الحوض.

مخرج المياه

قم بتوصيل خرطوم تصريف المياه. يجب تركيب خرطوم الصرف بشكل صحيح لتجنب تسرب المياه. تأكد من عدم ثني خرطوم تصريف المياه أو سحقه.

خرطوم التمديد

إذا كنت بحاجة إلى تمديد خرطوم الصرف، فتأكد من استخدام خرطوم تصريف مماثل. يجب ألا يزيد طوله عن 4 أمتار، وإلا يمكن تقليل تأثير التنظيف لغسالة الصحن.

اتصال السيافون

يجب أن تكون وصلة النفايات على ارتفاع أقل من 100 سم (كحد أقصى) من قاع الطبق. يجب أن يكون خرطوم تصريف المياه ثابتاً.

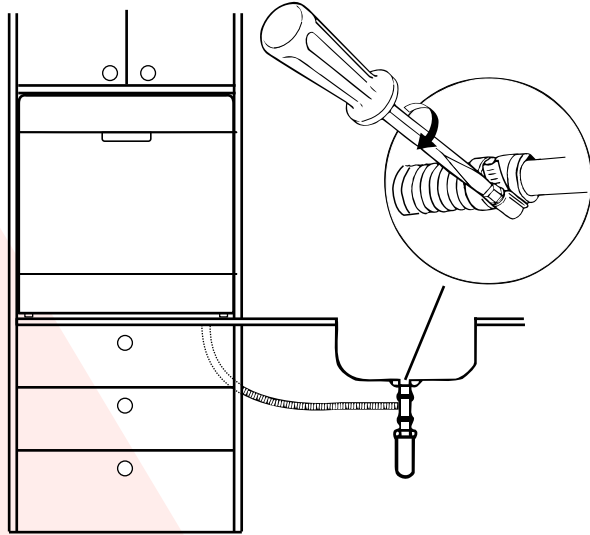
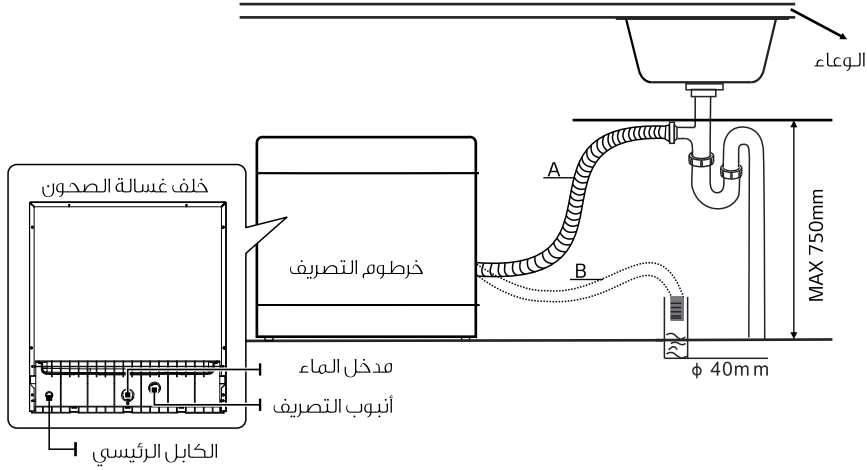
وضع الجهاز

ضع الجهاز في المكان المطلوب. يجب أن يستقر الجزء الخلفي على الحائط خلفه والجوانب على طول الكابينة أو الجدران المجاورة. غسالة الصحن مزودة بخراطيم إمداد المياه والصرف التي يمكن وضعها إما على الجانب الأيمن أو الأيسر لتسهيل التركيب المناسب.

توصيل خرطوم الصرف الصحي

أدخل خرطوم الصرف في أنبوب الصرف بقطر لا يقل عن ٤ سم، أو اتركه يمر في الحوض، مع التأكد من تجنب انحناءه أو تضيقه. يجب أن يكون ارتفاع أنبوب الصرف أقل من ٧٥ مم. يجب عدم غمر الطرف الحر للخرطوم في الماء لتجنب التدفق العكسي للخرطوم.

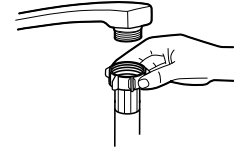
⚠ يرجى تثبيت خرطوم الصرف بإحكام في أي من الموضعين أ أو ب



توريد المياه والصرف الصحي

توصيل المياه الباردة

قم بتوصيل خرطوم إمداد الماء البارد بموصل 3/4 (بوصة) ملولب وتأكد من إحكام تثبيته في مكانه. إذا كانت أنابيب المياه جديدة أو لم يتم استخدامها لفترة طويلة من الوقت، اترك الماء يجري للتأكد من أن المياه نظيفة. هذا الاحتياطي ضروري لتجنب خطر انسداد مدخل المياه وتلف الجهاز.



خرطوم التوريد العادي



خرطوم الإمداد الآمن

حول خرطوم توريد الآمن

يتكون خرطوم توريد الآمن من جدران مزدوجة. يضمن نظام الخرطوم تدخله عن طريق منع تدفق الماء في حالة انكسار خرطوم الإمداد وعندما يكون الفراغ الهوائي بين خرطوم الإمداد نفسه والخرطوم المموج الخارجي ممتلئًا بالماء.

تحذير ⚠

يمكن أن ينفجر الخرطوم الذي يتم توصيله برشاش الحوض إذا تم تثبيته على نفس خط المياه مثل غسالة الصحون، إذا كان الحوض الخاص بك يحتوي على واحد، فمن المستحسن أن يتم فصل الخرطوم وتوصيل الفتحة.

حول خرطوم توريد الآمن

- 1- كيفية توصيل خرطوم الإمداد الآمن
- 2- اسحب خرطوم الإمداد الآمن تمامًا من قسم التخزين الموجود في الجزء الخلفي من غسالة الصحون.
- 3- احكم ربط براغي خرطوم الإمداد الآمن بالصنوبر بخيط 3/4 بوصة.
- 4- قم بتشغيل الماء بالكامل قبل بدء تشغيل غسالة الصحون.
- 5- كيفية فصل خرطوم الإمداد الآمن
- 1- اغلق الماء.
- 2- قم بفك خرطوم الإمداد الآمن من الصنوبر.

احتياطات التجمد

- يرجى اتخاذ تدابير الحماية من التجميد على غسالة الصحون في الشتاء. بعد كل دورة غسيل يرجى اتباع الآتي:
- 1- قطع الطاقة الكهربائية عن غسالة الصحون من مصدر الطاقة الرئيسي.
 - 2- قم بإيقاف تشغيل مصدر المياه وافصل أنبوب إدخال الماء عن صمام المياه.
 - 3- تصريف الماء من أنبوب المدخل وصمام الماء. (استخدم الحوض لتجميع الماء).
 - 4- أعد توصيل أنبوب إدخال الماء بصمام الماء.
 - 5- قم بإزالة الفلتر الموجود في قاع الحوض واستخدم إسفنجة لامتنصاص الماء في الحوض.

بعد كل غسلة

بعد كل غسلة، قم بإيقاف تشغيل مصدر المياه للجهاز واترك الباب مفتوحاً قليلاً حتى لا تحبس الرطوبة والروائح بالداخل.

قم بإزالة القابس

قبل التنظيف أو إجراء الصيانة، قم دائماً بإزالة القابس من المقبس.

لا تستخدم المذيبات أو المنظفات الكاشطة

لتنظيف الأجزاء الخارجية والمصاطية لغسالة الصحون، لا تستخدم المذيبات أو منتجات التنظيف الكاشطة. استخدم قطعة قماش مع الماء الدافئ والصابون فقط. لإزالة البقع أو الصبغات من على السطح الداخلي، استخدم قطعة قماش مبللة بالماء مع القليل من الخل، أو منتج تنظيف مصمم خصيصاً لغسالات الصحون.

عندما لا تكون قيد الاستخدام لفترة طويلة

يوصى بتشغيل دورة غسيل مع غسالة الصحون فارغة ثم إزالة القابس من المقبس، وإيقاف تشغيل مصدر المياه وترك باب الجهاز مفتوحاً قليلاً. سيساعد ذلك على بقاء سدادات الباب لفترة أطول ويمنع تكون الروائح داخل الجهاز.

تحريك الجهاز

إذا كان لا بد من تحريك الجهاز، فحاول إبقائه في الوضع الرأسي. إذا لزم الأمر، يمكن وضعه على ظهره.

تحذير



خطر الصدمة الكهربائية
افصل الطاقة الكهربائية قبل تركيب غسالة الصحون.
قد يؤدي عدم القيام بذلك إلى خطر الوفاة أو حدوث صدمة كهربائية.

يرجى الانتباه

يجب أن يتم تركيب الأنابيب والمعدات الكهربائية بواسطة متخصصين.

حول توصيل الكهرباء

تحذير

- للسلامة الشخصية:
- لا تستخدم سلك تمديد أو قابس محول مع هذا الجهاز.
 - لا تقم، تحت أي ظرف من الظروف، بقطع أو إزالة وصلة التأريض من سلك الطاقة.

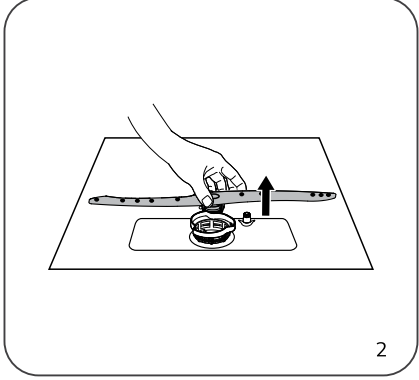
متطلبات كهربائية

يرجى إلقاء نظرة على ملصق التصنيف لمعرفة جهد التصنيف وتوصيل غسالة الصحون بمصدر الطاقة المناسب. استخدم المصهر المطلوب 10A / 13A / 16A ، مصهر تأخير الوقت أو قاطع الدائرة الموصى به و قم بتوفير دائرة منفصلة تخدم هذا الجهاز فقط.

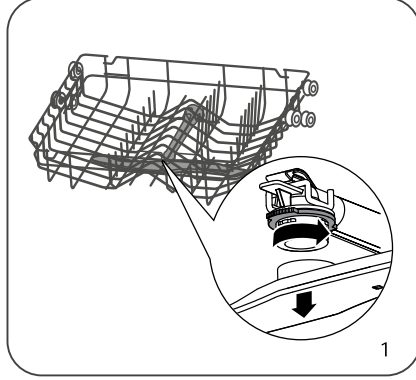
الربط الكهربائي

تأكد من أن الجهد الكهربائي وتردده يتوافق مع تلك الموجودة على لوحة التصنيف. أدخل القابس فقط في المقبس الكهربائي المورّض بشكل صحيح. إذا كان المقبس الكهربائي الذي يجب توصيل الجهاز به غير مناسب للقابس، فاستبدل المقبس، بدلاً من استخدام المحولات أو ما شابه ذلك حيث قد يتسبب ذلك في ارتفاع درجة الحرارة والحرق.

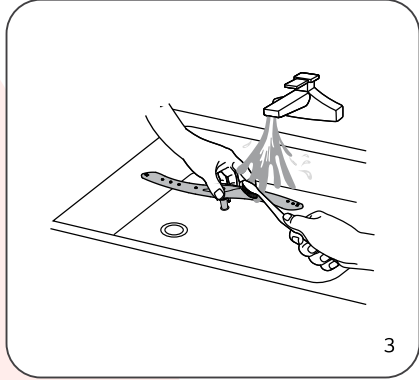
أذرع الرش



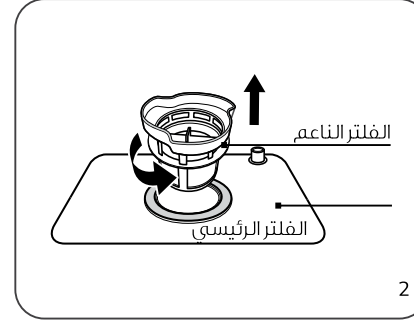
إزالة ذراع الرش السفلي، اسحب ذراع الرش لأعلى.



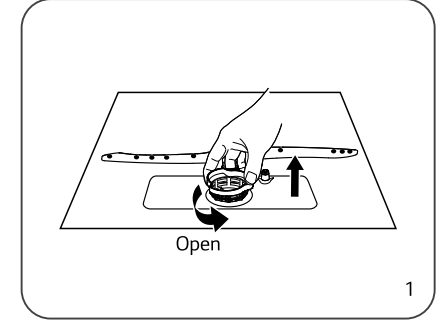
إزالة ذراع الرش العلوي، أمسك الصامولة في المنتصف وقم بتدوير ذراع الرش عكس اتجاه عقارب الساعة لإزالتها.



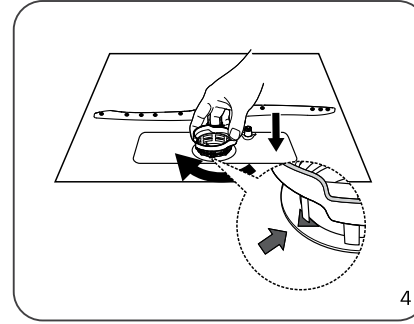
اغسل الذراعين بالصابون والماء الدافئ واستخدم فرشاة ناعمة لتنظيف الفتحات. استبدليها بعد شطفها جيداً.



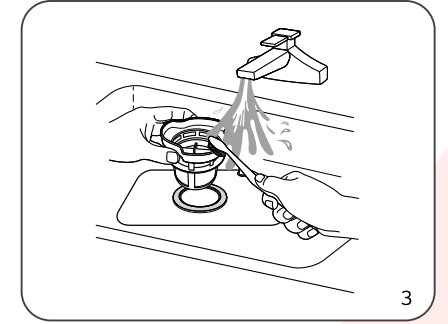
رفع الفلتر الناعم، من الفلتر الرئيسي.



امسك الفلتر الخشن وقم بتدويره عكس اتجاه عقارب الساعة لفتح الفلتر. ارفع الفلتر لأعلى وخارج غسالة الصحون.



أعد تجميع الفلاتر بالترتيب العكسي للفلتر، واستبدل إدراج الفلتر، وقم بالتدوير في اتجاه عقارب الساعة إلى سهم الإغلاق.

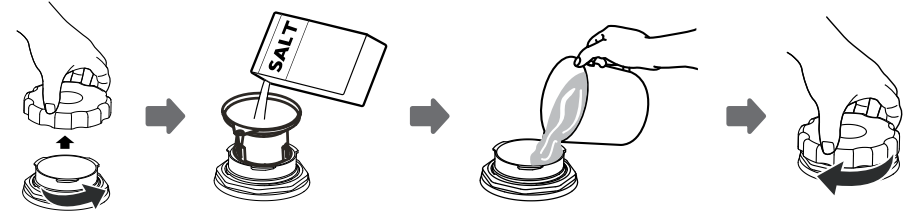


يمكن تنظيف بقايا الطعام الكبيرة عن طريق شطف الفلتر تحت الماء الجاري. لتنظيف أكثر، استخدم فرشاة تنظيف ناعمة.

تحذير

- لا تفرط في تضيق الفلتر. أعد وضع الفلاتر في تسلسل آمن، وإلا فإن الحطام الخشن قد يدخل إلى النظام ويسبب انسداداً.
- لا تستخدم غسالة الصحون بدون وجود الفلاتر. قد يؤدي الاستبدال غير الصحيح للفلتر إلى تقليل مستوى أداء الجهاز وتلف الصحون والأواني.

يرجى اتباع الخطوات التالية لإضافة ملح غسالة الصحون:



- 1- قم بإزالة السلة السفلية وفك غطاء الخزان.
- 2- ضع نهاية القمع (إذا كان مزوداً) في الفتحة واسكب حوالي 1 كجم من ملح غسالة الصحون.
- 3- قبل الغسل الأول، املا وعاء الملح إلى أقصى حد لها بالماء، فمن الطبيعي أن تخرج كمية صغيرة من الماء من وعاء الملح.
- 4- بعد ملء الحاوية، قم بلف الغطاء بإحكام.
- 5- سيتوقف ضوء تحذير الملح بعد أن تملأ وعاء الملح بالملح.
- 6- مباشرة بعد تعبئة الملح في وعاء الملح، يجب البدء في برنامج الغسيل (نقترح استخدام برنامج قصير). وإلا فقد يتلف نظام الفلتر أو المضخة أو أجزاء مهمة أخرى من الماكينة بسبب المياه المالحة. هذا خارج الضمان.

ملاحظة:

- يجب إعادة تعبئة وعاء الملح فقط عندما يضيء ضوء تحذير الملح في لوحة التحكم، اعتماداً على مدى جودة ذوبان الملح، قد يظل ضوء تحذير الملح مضاءً على الرغم من ملء وعاء الملح.
- إذا لم يكن هناك ضوء تحذير من الملح في لوحة التحكم (لبعض الطرازات)، فيمكنك تقدير وقت ملء الملح في المنقي من خلال الدورات التي تم تشغيلها في غسالة الصحون.
- إذا انسكب الملح، قم بتشغيل برنامج نقع أو سريع لإزالته.

العناية الخارجية

الباب وسدادة الباب

نظف سدادات الباب بانتظام بقطعة قماش ناعمة مبللة لإزالة رواسب الطعام. عند تحميل غسالة الصحون، قد تتساقط بقايا الطعام والمشروبات على جوانب باب غسالة الصحون. هذه الأسطح خارج كابينة الغسيل ولا يتم الوصول إليها بواسطة الماء من أذرع الرش، يجب محو أي رواسب قبل إغلاق الباب.

لوحة التحكم

إذا كان التنظيف مطلوباً، يجب مسح لوحة التحكم بقطعة قماش ناعمة ورطبة فقط.

تحذير

- لتجنب تغلغل الماء في قفل الباب والمكونات الكهربائية، لا تستخدم أي نوع من المنظفات بالرش.
- لا تستخدم أبداً منظفات كاشطة أو إسفنجيات جلي على الأسطح الخارجية لأنها قد تخدش السطح الخارجي.
- قد تخدش بعض المناشف الورقية أيضاً أو تترك علامات على السطح.

العناية الداخلية

نظام الفلتر

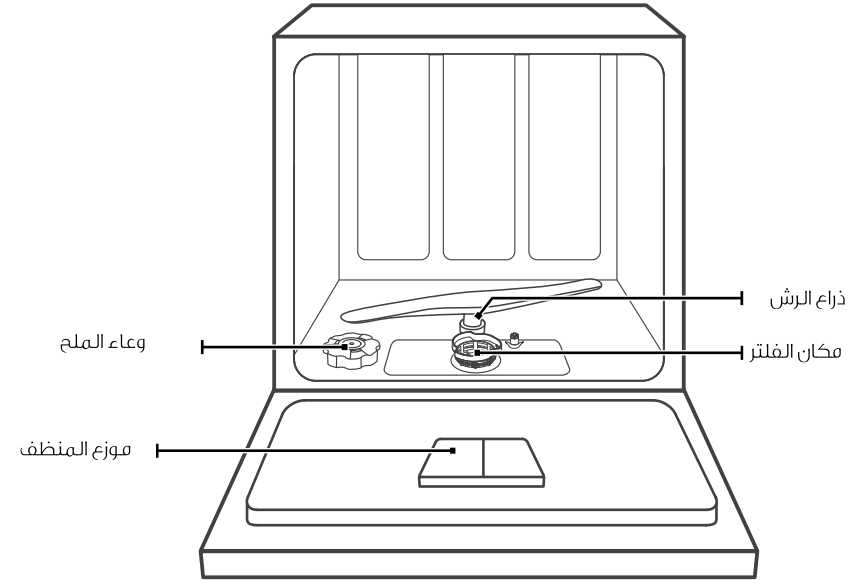
يحتفظ نظام الفلتر في قاعدة كابينة الغسيل بالمخلفات الخشنة من دورة الغسيل، قد يتسبب الحطام الخشن المتجمع في انسداد الفلتر. افحص حالة الفلتر بانتظام ونظفها إذا لزم الأمر تحت الماء الجاري. اتبع الخطوات أدناه لتنظيف الفلتر في كابينة الغسيل.

ملاحظة:

الصور هي للتوضيح فقط، قد تكون هناك بعض الاختلافات في نظام الفلتر وأذرع الرش بحسب الطراز. يرجى اعتماد المنتج الفعلي.

⚠ تحذير

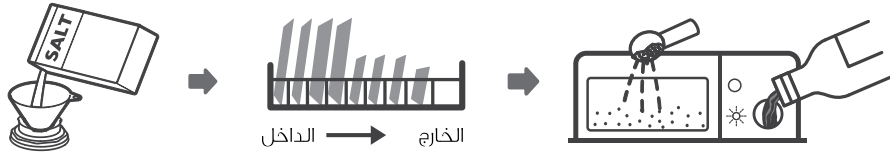
للحصول على أفضل أداء من غسالة الصحون، اقرأ جميع تعليمات التشغيل قبل استخدامها لأول مرة.



الصور أعلاه هي للتوضيح فقط، قد تكون هناك بعض الاختلافات بحسب الطراز.



قبل استخدام غسالة الصحون الخاصة بك:

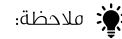


- 1- اضبط منقي الماء
- 2- ضع الملح في المنقي
- 3- ضع المواد المراد غسلها في السلة
- 4- املا الموزع بالمنظف



يرجى مراجعة القسم "منقي المياه" من الجزء الثاني؛ إصدار خاص، إذا كنت بحاجة إلى ضبط منقي المياه.

قبل استخدام غسالة الصحون الخاصة بك:



إذا كان الطراز الخاص بك لا يحتوي على أي منقي مياه، فيمكنك تخطي هذا القسم. استخدم دائماً الملح المخصص للاستخدام في غسالة الصحون. يوجد وعاء الملح أسفل السلة السفلية ويجب ملؤه كما هو موضح فيما يلي:

⚠ تحذير

- استخدم فقط الملح المصمم خصيصاً للاستخدام في غسالات الصحون! كل نوع آخر من الملح غير المصمم خصيصاً للاستخدام في غسالة الصحون، وخاصة ملح الطعام، سوف يتلف منقي المياه. في حالة حدوث أضرار ناتجة عن استخدام ملح غير مناسب، لا تقدم الشركة المصنعة أي ضمان ولا تتحمل مسؤولية أي أضرار ناتجة.
- يملأ بالملح فقط قبل تشغيل الدورة. سيؤدي هذا إلى منع أي حبيبات من الملح أو الماء المالح، التي ربما تكون قد انسكبت، وتبقى في قاع الماكينة لأي فترة زمنية، مما قد يتسبب في التآكل.

تحذير

عند استخدام غسالة الصحون، اتبع الاحتياطات المذكورة أدناه:

- هذا الجهاز مخصص للاستخدام في المنزل والاستخدامات المماثلة مثل: مناطق مطبخ الموظفين في المتاجر والمكاتب وبيئات العمل الأخرى؛ بيوت المزارع
- من قبل العملاء في الفنادق والموتيلات وغيرها من البيئات السكنية؛ بيئات من نوع المبيت والإفطار.
- يمكن استخدام هذا الجهاز من قبل الأطفال الذين تتراوح أعمارهم بين 8 سنوات وما فوق والأشخاص الذين يعانون من ضعف القدرات الجسدية أو العقلية أو نقص الخبرة والمعرفة إذا تم منحهم الإشراف أو التعليمات المتعلقة باستخدام الجهاز بطريقة آمنة وفهم المخاطر المتضمنة.
- لا يجوز للأطفال اللعب بالجهاز، يجب ألا يقوم الأطفال بالتنظيف وصيانة الجهاز دون إشراف. بالنسبة لـ (EN60335-1)
- هذا الجهاز غير مخصص للاستخدام من قبل الأشخاص (بما في ذلك الأطفال) الذين يعانون من ضعف القدرات الجسدية أو العقلية، أو نقص الخبرة والمعرفة، ما لم يتم منحهم القدرات العقلية، أو نقص الخبرة والمعرفة، ما لم يتم إعطاؤهم الإشراف أو التعليمات المتعلقة باستخدام الجهاز من قبل شخص مسؤول عن سلامتهم. لـ (IEC60335-1)
- قد تكون مواد التغليف خطرة على الأطفال!
- هذا الجهاز للاستخدام المنزلي الداخلي فقط.
- للحماية من خطر التعرض لصدمة كهربائية، لا تغمر الوحدة أو السلك أو القابض في الماء أو أي سائل آخر.
- يرجى فصل الكهرباء قبل التنظيف وإجراء الصيانة على الجهاز.
- استخدم قطعة قماش ناعمة مبللة بصابون لطيف، ثم استخدم قطعة قماش جافة لمسحها مرة أخرى.

تعليمات التأريض

- يجب تأريض هذا الجهاز، في حالة حدوث عطل أو خلل، سيقبل التأريض من خطر حدوث صدمة كهربائية من خلال توفير مسار أقل مقاومة لتيار الكهرباء، هذا الجهاز مزود بقابض موصل تأريض.
- يجب توصيل القابض بمخرج مناسب يتم تركيبه وتاريخه وفقاً لجميع القوانين واللوائح المحلية.
- التوصيل غير الصحيح لموصل تأريض الجهاز يمكن أن يؤدي إلى خطر التعرض لصدمة كهربائية.
- تحقق مع كهربائي مؤهل أو مركز الخدمة إذا كنت تشك فيما إذا كان الجهاز مؤمناً بشكل صحيح.

• لا تقم بتعديل القابض المزود مع الجهاز؛ إذا كان لا يتناسب مع المنفذ.

• قم بتركيب منفذ مناسب بواسطة كهربائي مؤهل.

• لا تسيء استخدام الباب أو رف غسالة الصحون أو الجلوس عليه أو الوقوف عليه.

• لا تقم بتشغيل غسالة الصحون إلا إذا كانت جميع لوحات التطويق في مكانها الصحيح.

• افتح الباب بحذر شديد إذا كانت غسالة الصحون تعمل، فهناك خطر تدفق المياه.

• لا تضع أي أشياء ثقيلة على الباب أو تقف عليه عندما يكون مفتوحاً. يمكن للجهاز أن ينقلب إلى الأمام.

• عند تحميل الأغراض المراد غسلها:

(1) حدد مكان العناصر الحادة بحيث لا يحتمل أن تتلف سداة الباب؛

(2) تحذير: يجب تحميل السكاكين والأواني الأخرى ذات النقاط الحادة في السلة بحيث تكون نقاطها متجهة لأسفل أو توضع في وضع أفقي.

• بعض منظفات غسالة الصحون شديدة القلوية، يمكن أن تكون خطيرة للغاية إذا ابتلعت. تجنب ملامسة الجلد

والعينين وأبعد الأطفال عن غسالة الصحون عندما يكون الباب مفتوحاً.

• تأكد من أن مسحوق الغسيل فارغ بعد الانتهاء من دورة الغسيل.

• لا تغسل المواد البلاستيكية ما لم يتم وضع علامة "آمنة للغسل في غسالة الصحون" أو ما شابه ذلك.

• بالنسبة للعناصر البلاستيكية التي لا تحمل علامات مميزة، تحقق من تعليمات الشركة المصنعة.

• استخدم فقط المنظفات وعوامل الشطف الموصى بها للاستخدام في غسالة الصحون الأوتوماتيكية.

• لا تستخدم أبداً الصابون أو منظفات الغسيل أو منظفات غسل اليدين في غسالة الصحون.

• لا ينبغي ترك الباب مفتوحاً، لأن ذلك قد يزيد من خطر التعثر.

• في حالة تلف سلك الإمداد، يجب استبداله من قبل الشركة المصنعة أو وكيل الخدمة الخاص بها أو شخص مؤهل مماثل لتجنب الخطر.

• أثناء التثبيت، يجب عدم ثني أو تسطيط مصدر الطاقة بشكل مفرط أو خطير.

• لا تعبث بعناصر التحكم.

• يجب توصيل الجهاز بصمام المياه الرئيسي باستخدام مجموعات خراطيم جديدة. لا ينبغي إعادة استخدام المجموعات القديمة.

• لتوفير الطاقة، في وضع الاستعداد، سيتم إيقاف تشغيل الجهاز تلقائياً أثناء عدم وجود أي عملية في غضون 30 دقيقة.

الحد الأقصى لعدد إعدادات المكان هو 8.

الحد الأقصى لضغط المياه الداخل المسموح به هو 1 ميغا باسكال.

الحد الأدنى المسموح به لضغط الماء الداخل هو 0.4 ميغا باسكال.

التخلص من المنتج

• للتخلص من العبوة والجهاز، يرجى الذهاب إلى مركز إعادة التدوير.

لذلك، اقطع كابل إمداد الطاقة واجعل باب الجهاز غير قابل للاستخدام.

• يتم تصنيع عبوات الورق المقوى من ورق معاد تدويره ويجب التخلص منه في مجموعة نفايات الورق لإعادة التدوير.

• من خلال التأكد من التخلص من هذا المنتج بشكل صحيح، سوف تساعد في منع الآثار السلبية المحتملة على البيئة وصحة الإنسان، والتي قد تنتج بخلاف ذلك عن معالجة


النفايات غير المناسبة لهذا المنتج.

• لمزيد من المعلومات التفصيلية حول إعادة تدوير هذا المنتج، يرجى الاتصال بالجهة المحلية المعنية في بلدك وخدمة التخلص من النفايات المنزلية.

التخلص من المنتج؛ لا تتخلص من هذا المنتج كنفايات محلية غير مفروزة، من الضروري جمع هذه النفايات بشكل منفصل للمعالجة الخاصة.



3	معلومات السلامة
5	نظرة عامة على المنتج
6	استخدام غسالة الصحون الخاصة بك
6	وضع الملح في المنقي
8	الصيانة والتنظيف
8	العناية الخارجية
8	العناية الداخلية
11	العناية بغسالة الصحون
12	تعليمات التركيب
12	حول توصيل الكهرباء
13	توريد المياه والصرف الصحي
14	توصيل خرطوم الصرف الصحي
15	وضع الجهاز
16	التثبيت المدمج (للطراز بالتصميم المدمج)
18	استكشاف الأخطاء وإصلاحها
21	تحميل السلال وفقاً لـ AS / NZS 2007.1

ملاحظة: 

- ستساعدك مراجعة القسم الخاص باستكشاف الأخطاء وإصلاحها في حل بعض المشكلات الشائعة بنفسك.
- إذا لم تتمكن من حل المشكلات بنفسك، فيرجى طلب المساعدة من فني متخصص.
- قد تقوم الشركة المصنعة، ضمن سياسة التطوير والتحديث المستمر للمنتج، بإجراء تعديلات دون تقديم إشعار مسبق.
- إذا فقدت أو انتهت صلاحيتها، يمكنك الحصول على دليل مستخدم جديد من الشركة المصنعة أو البائع المسؤول.



الطراز: DWHA-TT80WW
DWHA-TT81SS