



فرن مايكرويف شواء تحكم رقمي دليل المستخدم

Grill Microwave Oven Digital Control User's Manual

الطراز:
MW28G6 ▲

Model:
▲ MW28G6

الرجاء قراءة هذا الدليل بعناية قبل تشغيل الجهاز،
و احتفظ به للرجوع إليه مستقبلا.

هذه التصاميم و المواصفات عرضة للتغيير بهدف إدخال تحسينات عليها
و ذلك دون إشعار مسبق.

Please read this manual carefully before operating your set.
Retain it for future reference.

Designs and specifications are subject to change for improvement
without prior notice.

ISO9001 CB

ISO9001 CB





Model: MW28G6

PRECAUTIONS TO AVOID POSSIBLE EXPOSURE TO EXCESSIVE MICROWAVE ENERGY

- (a) Do not attempt to operate this oven with the door open since this can result in harmful exposure to microwave energy. It is important not to break or tamper with the safety interlocks.
- (b) Do not place any object between the oven front face and the door or allow soil or cleaner residue to accumulate on sealing surfaces.
- (c) **WARNING:** If the door or door seals are damaged, the oven must not be operated until it has been repaired by a competent person.

ADDENDUM

If the apparatus is not maintained in a good state of cleanliness, its surface could be degraded and affect the lifespan of the apparatus and lead to a dangerous situation.

SPECIFICATIONS

Model:	MW28G6
Rated Voltage:	230V~ 50Hz
Rated Input Power (Microwave):	1450W
Rated Output Power (Microwave):	900W
Rated Output Power (Grill):	1000W

IMPORTANT SAFETY INSTRUCTIONS WARNING

To reduce the risk of fire, electric shock, injury to persons or exposure to excessive microwave oven energy when using your appliance, follow basic precautions, including the following:

1. Read and follow the specific: "PRECAUTIONS TO AVOID POSSIBLE EXPOSURE TO EXCESSIVE MICROWAVE ENERGY".
2. This appliance can be used by children aged from 8 years and above and persons with reduced physical, sensory or mental capabilities or lack of experience and knowledge if they have been given supervision or instruction concerning use of the appliance in a safe way and understand the hazards involved. Children shall not play with the appliance. Cleaning and user maintenance shall not be made by children without supervision.
3. Keep the appliance and its cord out of reach of children less than 8 years.
4. If the supply cord is damaged, it must be replaced by the manufacturer, its service agent or similarly qualified persons in order to avoid a hazard.
5. **WARNING:** Ensure that the appliance is switched off before replacing the lamp to avoid the possibility of electric shock.
6. **WARNING:** It is hazardous for anyone other than a competent person to carry out any service or repair operation that involves the removal of a cover which gives protection against exposure to microwave energy.
7. **WARNING:** Liquids and other foods must not be heated in sealed containers since they are liable to explode.
8. When heating food in plastic or paper containers, keep an eye on the oven due to the possibility of ignition.
9. Only use utensils that are suitable for use in microwave ovens.
10. If smoke is emitted, switch off or unplug the appliance and keep the door closed in order to stifle any flames.
11. Microwave heating of beverages can result in delayed eruptive boiling, therefore care must be taken when handling the container.
12. The contents of feeding bottles and baby food jars shall be stirred or shaken and the temperature checked before consumption, in order to avoid burns.
13. Eggs in their shell and whole hard-boiled eggs should not be heated in microwave ovens since they may explode, even after microwave heating has ended.
14. The oven should be cleaned regularly and any food deposits removed.
15. Failure to maintain the oven in a clean condition could lead to deterioration of the surface that could adversely affect the life of the appliance and possibly result in a hazardous situation.
16. The appliance must not be installed behind a decorative door in order to avoid overheating. (This is not applicable for appliances with decorative door.)
17. Only use the temperature probe recommended for this oven. (for ovens provided with a facility to use a temperature-sensing probe.)
18. The microwave oven shall not be placed in a cabinet unless it has been tested in a cabinet.
19. The microwave oven must be operated with the decorative door open. (for ovens with a decorative door.)
20. This appliance is intended to be used in household and similar applications such as:
 - staff kitchen areas in shops, offices and other working environments;
 - by clients in hotels, motels and other residential type environments;
 - farm houses;
 - bed and breakfast type environments.

21. The microwave oven is intended for heating food and beverages. Drying of food or clothing and heating of warming pads, slippers, sponges, damp cloth and similar may lead to risk of injury, ignition or fire.
22. Metallic containers for food and beverages are not allowed during microwave cooking.
23. The appliance shall not be cleaned with a steam cleaner.
24. The appliance is intended to be used freestanding.
25. The rear surface of appliances shall be placed against a wall.
26. The appliances are not intended to be operated by means of an external timer or separate remote-control system.
27. The temperature of accessible surfaces may be high when the appliance is operating.
28. **WARNING:** When the appliance is operated in the combination mode, children should only use the oven under adult supervision due to the temperatures generated.

READ CAREFULLY AND KEEP FOR FUTURE REFERENCE

TO REDUCE THE RISK OF INJURY TO PERSONS GROUNDING INSTALLATION DANGER

Electric Shock Hazard

Touching some of the internal components can cause serious personal injury or death. Do not disassemble this appliance

WARNING

Electric Shock Hazard

Improper use of the grounding can result in electric shock. Do not plug into an outlet until appliance is properly installed and grounded.

This appliance must be grounded. In the event of an electrical short circuit, grounding reduces the risk of electric shock by providing an escape wire for the electric current.

This appliance is equipped with a cord having a grounding wire with a grounding plug.

The plug must be plugged into an outlet that is properly installed and grounded.

Consult a qualified electrician or serviceman if the grounding instructions are not completely understood or if doubt exists as to whether the appliance is properly grounded.

If it is necessary to use an extension cord, use only a 3-wire extension cord.

1. A short power-supply cord is provided to reduce the risks resulting from becoming entangled in or tripping over a longer cord.
2. If a long cord set or extension cord is used:
 - 1) The marked electrical rating of the cord set or extension cord should be at least as great as the electrical rating of the appliance.
 - 2) The extension cord must be a grounding-type 3-wire cord.
 - 3) The long cord should be arranged so that it will not drape over the counter top or tabletop where it can be pulled on by children or tripped over unintentionally.

CLEANING

Be sure to unplug the appliance from the power supply.

1. Clean the cavity of the oven after using with a slightly damp cloth.
2. Clean the accessories in the usual way in soapy water.
3. The door frame and seal and neighbouring parts must be cleaned carefully with a damp cloth when they are dirty.
4. Do not use harsh abrasive cleaners or sharp metal scrapers to clean the oven door glass since they can scratch the surface, which may result in shattering of the glass.
5. Cleaning Tip---For easier cleaning of the cavity walls that the food cooked can touch: Place half a lemon in a bowl, add 300ml (1/2 pint) water and heat on 100% microwave power for 10 minutes. Wipe the oven clean using a soft, dry cloth.

UTENSILS CAUTION Personal Injury Hazard

It is hazardous for anyone other than a competent person to carry out any service or repair operation that involves the removal of a cover which gives protection against exposure to microwave energy.

See the instructions on "Materials you can use in microwave oven or to be avoided in microwave oven." There may be certain non-metallic utensils that are not safe to use for microwaving. If in doubt, you can test the utensil in question following the procedure below.

Utensil Test:

1. Fill a microwave-safe container with 1 cup of cold water (250ml) along with the utensil in question.
2. Cook on maximum power for 1 minute.
3. Carefully feel the utensil. If the empty utensil is warm, do not use it for microwave cooking.
4. Do not exceed 1 minute cooking time.

Materials you can use in microwave oven

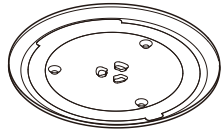
Utensils	Remarks
Browning dish	Follow manufacturer's instructions. The bottom of browning dish must be at least 3/16 inch (5mm) above the turntable. Incorrect usage may cause the turntable to break.
Dinnerware	Microwave-safe only. Follow manufacturer's instructions. Do not use cracked or chipped dishes.
Glass jars	Always remove lid. Use only to heat food until just warm. Most glass jars are not heat resistant and may break.
Glassware	Heat-resistant oven glassware only. Make sure there is no metallic trim. Do not use cracked or chipped dishes.
Oven cooking bags	Follow manufacturer's instructions. Do not close with metal tie. Make slits to allow steam to escape.
Paper plates and cups	Use for short-term cooking/warming only. Do not leave oven unattended while cooking.
Paper towels	Use to cover food for reheating and absorbing fat. Use with supervision for a short-term cooking only.
Parchment paper	Use as a cover to prevent splattering or a wrap for steaming.
Plastic	Microwave-safe only. Follow the manufacturer's instructions. Should be labeled "Microwave Safe". Some plastic containers soften, as the food inside gets hot. "Boiling bags" and tightly closed plastic bags should be slit, pierced or vented as directed by package.
Plastic wrap	Microwave-safe only. Use to cover food during cooking to retain moisture. Do not allow plastic wrap to touch food.
Thermometers	Microwave-safe only (meat and candy thermometers).
Wax paper	Use as a cover to prevent splattering and retain moisture.

Materials to be avoided in microwave oven

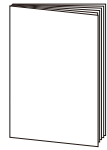
Utensils	Remarks
Aluminum tray	May cause arcing. Transfer food into microwave-safe dish.
Food carton with metal handle	May cause arcing. Transfer food into microwave-safe dish.
Metal or metal-trimmed utensils	Metal shields the food from microwave energy. Metal trim may cause arcing.
Metal twist ties	May cause arcing and could cause a fire in the oven.
Paper bags	May cause a fire in the oven.
Plastic foam	Plastic foam may melt or contaminate the liquid inside when exposed to high temperature.
Wood	Wood will dry out when used in the microwave oven and may split or crack.

NAMES OF OVEN PARTS AND ACCESSORIES

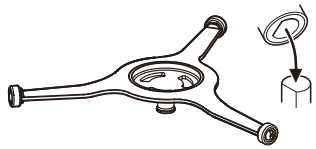
Remove the oven and all materials from the carton and oven cavity. Your oven comes with the following accessories:



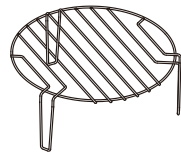
Glass Tray



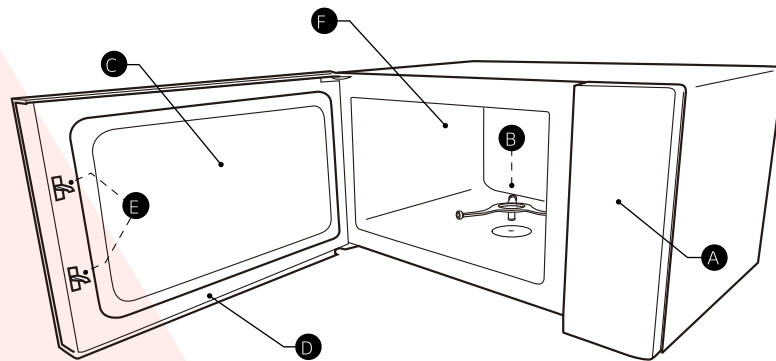
Instruction Manual



Turntable Ring Assembly



Grill Rack(Can not be used in microwave function and must be placed on the glass tray)

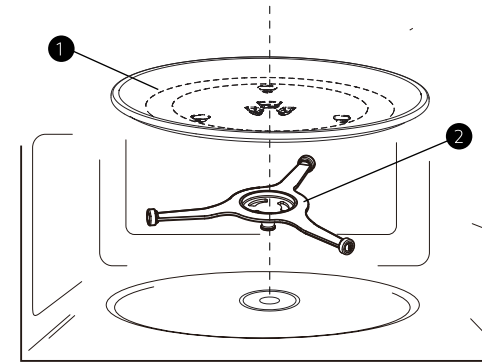


- A) Control panel
- B) Turntable Ring Assembly
- C) Observation window

- D) Door assembly
- E) Safety interlock system
- F) Oven cavity

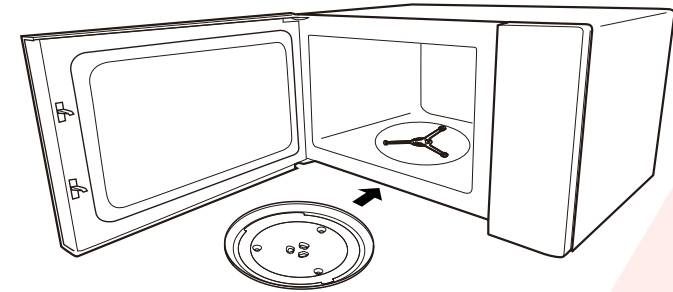
NAMES OF OVEN PARTS AND ACCESSORIES

Cleaning the cooking compartment and putting the turntable in place. For new installations, make sure all packaging and shipping tape has been removed. Before using the appliance to prepare food for the first time, you will need to put the turntable in place correctly. You must clean the cooking compartment and accessories.



1) Glass Tray

2) Turntable Ring Assembly



Note :

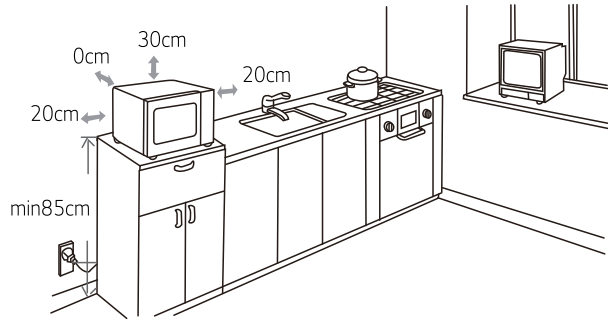
1. Never use the appliance without the turntable. Make sure that it is properly engaged. The turntable can turn clockwise or anti-clockwise.
2. Never place the glass tray upside down. The glass tray should never be restricted.
3. Both glass tray and turntable ring assembly must always be used during cooking.
4. All food and containers of food are always placed on the glass tray for cooking.
5. Never restrict the movement of the turntable.
6. If glass tray or turntable ring assembly cracks or breaks, contact your nearest authorized service center.

COUNTERTOP INSTALLATION

Remove all packing material and accessories. Examine the oven for any damage such as dents or broken door. Do not install if oven is damaged. Cabinet: Remove any protective film found on the microwave oven cabinet surface. Do not remove the light brown Mica cover that is attached to the oven cavity to protect the magnetron.

INSTALLATION

1. Select a level surface that provide enough open space for the intake and/or outlet vents.



(1) The minimum installation height is 85cm.

(2) The rear surface of appliance shall be placed against a wall.

Leave a minimum clearance of 30cm above the oven. A minimum clearance of 20cm is required between the oven and any adjacent walls.

(3) Do not remove the legs from the bottom of the oven.

(4) Blocking the intake and/or outlet openings can damage the oven.

(5) Place the oven as far away from radios and TV as possible.

Operation of microwave oven may cause interference to your radio or TV reception.

2. Plug your oven into a standard household outlet. Be sure the voltage and the frequency is the same as the voltage and the frequency on the rating label.

WARNING: Do not install oven over a range cooktop or other heat-producing appliance. If installed near or over a heat source, the oven could be damaged and the warranty would be void.

The accessible surface may be hot during operation.



OPERATION

1. Setting the Clock

(1) Press " Timer/Clock " twice and then "0:00" will display.

(2) Turn the knob to set the hour figures. The time should be within 0-23.

(3) Press " Timer/Clock " to confirm.

(4) Turn the knob to set the minute figures. The time should be within 0-59.

(5) Press " Timer/Clock " to confirm.

Notes:

(1) If you do not press " Timer/Clock " to confirm or if there is no operation within 1 minute after step 4, the setting is invalid.

(2) To reset the clock, please repeat step 1 to step 5.

(3) If the clock is not set, it would not function when powered.

2. Microwave Cooking

5 power levels are available.

Power Level	100%	80%	50%	30%	10%
Display	P100	P80	P50	P30	P10

(1) Press " Microwave " once and then "P100" will display.

(2) Press " Microwave " repeatedly or turn the knob to set the power level.

(3) Press " Start/+30Sec./Confirm " to confirm.

(4) Turn the knob to adjust the cooking time. The range of time is 0:05-95:00.

(5) Press " Start/+30Sec./Confirm " to start cooking.

3. Setting the Kitchen Timer

- (1) Press "Timer/Clock" once and then "00:00" will display.
- (2) Turn the knob to set the desired time. The range of time is 0:05-95:00.
- (3) Press "Start/+30Sec./Confirm" to confirm. The timer starts counting down.

Notes: (1) The kitchen timer is a timer, there are not any other programs during it.

- (2) Opening the oven door during operation does not affect timer working. Press "Stop/Clear" during operation will interrupt the current mode.

4. Grill or Combi. Cooking

- (1) Press "Grill/Combi." repeatedly to choose grill or combination cooking, "G", "C-1" and "C-2" will display in turn.
- (2) Press "Start/+30Sec./Confirm" to confirm the mode.
- (3) Turn the knob to set the cooking time. The range of time is 0:05-95:00.
- (4) Press "Start/+30Sec./Confirm" to start cooking.

Grill/Combi. Function	Display	Microwave cooking time	Grill cooking time
Combi. 1	C-1	16s	13s
Combi. 2	C-2	10s	19s

5. Defrost by Weight

- (1) Press "Weight Defrost" and then the screen will display "d01".
- (2) Turn the knob to set the weight of food. The range of weight is 100 to 2000g.
- (3) Press "Start/+30Sec./Confirm" to start defrosting.
- (4) Once defrosting has finished, the buzzer will sound five times.

Note: The buzzer will sound to remind you to turn the food over during defrosting.
If no operation, the oven will continue working.

6. Defrost by Time

- (1) Press "Time Defrost" twice and then the screen will display "d02".
 - (2) Turn the knob to set the desired defrost time. The range of time is 0:05-95:00.
 - (3) Press "Start/+30Sec./Confirm" to start defrosting.
 - (4) Once defrosting has finished, the buzzer will sound five times.
- Notes: (1) The default defrost power is P30, and it can not be changed.

7. Speedy Cooking

- (1) In waiting state, press "Start/+30Sec./Confirm" to cook food with 100% power level for 30 seconds. Each press on the same key can increase 30 seconds and the maximum time value is 95 minutes.
- Note: In microwave, grill, combi, multi-stage cooking and time defrost, you can press "Start/+30Sec./Confirm" to increase cooking time.
- (2) In waiting state, turn the knob left to set a cooking time for 95 minutes with 100% power. Then press "Start/+30Sec./Confirm" to start cooking.

8. Multi-Stage Cooking

- Notes: (1) Two cooking stages can be set in multi-stage cooking.
- (2) If you set defrost function, it will work automatically in the first stage.
 - (3) Kitchen Timer, Auto menu cannot be set as one of the multi-stage.
- Example: defrost food for 500g and then cook with 80% microwave power for 7 minutes

- (1) Press "Weight Defrost" and then the screen will display "d01".
- (2) Turn the knob to set the desired defrost weight of 500g.
- (3) Press "Microwave" and then "P100" will display.
- (4) Turn the knob to set the power level of P80.
- (5) Press "Start/+30Sec./Confirm" to confirm the power level and then turn the knob to set the cooking time of 7 minutes.
- (6) Press "Start/+30Sec./Confirm" to start cooking.

9. Inquiring Function

- (1) If the clock has been set, the current time will display for three seconds by pressing "Timer/Clock" in the cooking state.
- (2) In the microwave, grill cooking or combination cooking state, press "Microwave" or "Grill/Combi." to inquire the power level. It will display for three seconds.

10. Lock Function for Children

You can use this function to prevent children from accidentally turning the oven on.

To activate the lock:

In waiting state, press and hold "Stop/Clear" for three seconds. A long beep sounds and the locked icon will display.

To deactivate the lock:

In locked state, press and hold "Stop/Clear" for three seconds. A long beep sounds.

11. Auto menu

- (1) Turn the knob to right and then "A1" will display.
- (2) Turn the knob to choose the menu you need. 8 auto menus are available.
- (3) Press "Start/+30Sec./Confirm" to confirm.
- (4) Turn the knob to set the weight of food.
- (5) Press "Start/+30Sec./Confirm" to start cooking.

Note: In waiting state, please turn the knob to right to select auto menu. If you turn the knob to left, the oven will enter speedy cooking.

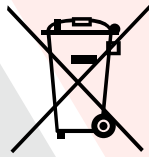
Auto Menu Chart

Menu	Weight	Display	Power Level
A-1 Auto Reheat	200g	200g	P100
	400g	400g	
A-2 Meat	250g	250g	P100
	350g	350g	
	450g	450g	
A-3 Vegetable	200g	200g	P100
	300g	300g	
	400g	400g	
A-4 Pasta	50g(450g cold water)	50g	P80
	100g(800g cold water)	100g	
A-5 Potato	1(about230g)	1	P100
	2	2	
	3	3	
A-6 Fish	250g	250g	P80
	350g	350g	
	450g	450g	
A-7 Beverage	1cup(120ml)	1	P100
	2cups(240ml)	2	
	3cups(360ml)	3	
A-8 Popcorn	50g	50g	P100
	100g	100g	

Trouble shooting

Normal	
Microwave oven interfering TV reception	Radio and TV reception may be interfered when microwave oven operating. It is similar to the interference of small electrical appliances, like mixer, vacuum cleaner, and electric fan. It is normal.
Dim oven light	In low power microwave cooking, oven light may become dim. It is normal.
Steam accumulating on door, hot air out of vents	In cooking, steam may come out of food. Most will get out from vents. But some may accumulate on cool place like oven door. It is normal.
Oven started accidentally with no food in.	It is forbidden to run the unit without any food inside. It is very dangerous.

Trouble	Possible Cause	Remedy
Oven cannot be started.	(1) Power cord is not plugged in tightly.	Unplug. Then plug again after 10 seconds.
	(2) Fuse blowing or circuit breaker works.	Replace fuse or reset circuit breaker (repaired by professional personnel of our company)
	(3) Trouble with outlet.	Test outlet with other electrical appliances.
Oven does not heat.	(4) Door is not closed well.	Close door well.



According to Waste of Electrical and Electronic Equipment (WEEE) directive, WEEE should be separately collected and treated. If at any time in future you need to dispose of this product please do NOT dispose of this product with household waste. Please send this product to WEEE collecting points where available.

استكشاف الأعطال وإصلاحها

اعتيادي	
قد يحدث تشويش على استقبال موجات الراديو والتلفزيون عند تشغيل جهاز المايكرويف، وهو ما يشبه تشويش الأجهزة الكهربائية الصغيرة، مثل: الخلاط، والمكنسة الكهربائية، والمروحة الكهربائية، ويعد هذا الأمر طبيعياً.	تشويش المايكرويف على استقبال موجات التلفزيون
عند استخدام المايكرويف للطهي ببطء منخفضة، فقد يصبح ضوء الفرن خافتاً. وبعد هذا الأمر شيئاً اعتيادياً.	ضوء الفرن خافت
عند الطهي، يمكن خروج البخار من الأطعمة، والذي سيخرج أغلبه من فتحات التهوية. قد يتراكم القليل منه فوق مكان بارد مثل باب المايكرويف،	تراكم الأبخرة على الباب وخروج الهواء الساخن من فتحات التهوية
يُحظر تشغيل الجهاز دون وجود أي أطعمة داخله؛ فهذا الأمر خطير للغاية.	تشغيل الجهاز دون قصد مع عدم وجود طعام داخله

اعتيادي	اعتيادي	اعتيادي
اتزع القابض، ثم أوصله مرة أخرى بعد مرور 10 ثوانٍ.	(1) سلك توصيل الكهرباء غير متصل جيداً بالقابض.	ضوء الفرن خافت
استبدل المصهر أو أعد توصيل الدائرة (فقط من قبل فني مؤهل من شركتنا)	(2) انفجار الصمام الكهربائي (فيوز) أو عمل قاطع التيار الكهربائي.	
اختبر منفذ التيار مع الأجهزة الكهربائية الأخرى.	(3) مشكلة في منفذ التيار.	
أغلق الباب جيداً.	(4) الباب غير مغلق جيداً.	الجهاز لا يُسخن



وفقاً للتوجيه الأوروبي بشأن نفايات المعدات الكهربائية والإلكترونية (WEEE)، يجب تجميع نفايات المعدات الكهربائية والإلكترونية والتخلص منها بشكل منفصل. إذا رغبت في التخلص من هذا المنتج في المستقبل، يُرجى عدم التخلص منه مع النفايات المنزلية. يُرجى إرسال هذا المنتج إلى نقاط تجميع نفايات المعدات الكهربائية والإلكترونية إن توفرت.

جدول القائمة التلقائية

مستوى الطاقة	رمز العرض	الوزن	القائمة
P100	200g	200g	A-1 إعادة التسخين التلقائي
	400g	400g	
P100	250g	250g	A-2 اللحوم
	350g	350g	
	450g	450g	
P100	200g	200g	A-3 الخضروات
	300g	300g	
	400g	400g	
P80	50g	50g (450g ماء بارد)	A-4 المعكرونة
	100g	100g (800g ماء بارد)	
P100	1	1 (about 230g)	A-5 البطاطا
	2	2	
	3	3	
P80	250g	250g	A-6 السمك
	350g	350g	
	450g	450g	
P100	1	كوب واحد (120ml)	A-7 المشروبات
	2	كوبان (240ml)	
	3	3 أكواب (360ml)	
P100	50g	50g	A-8 الفشار
	100g	100g	

9. وظيفة الاستعلام

(1) إذا تم ضبط الساعة، سيظهر الوقت الحالي على الشاشة لمدة 3 ثوانٍ من خلال الضغط على Timer/Clock بوضع الطهي.
(2) بوضع الطهي بالميكرويف، الطهي بالشواء أو الطهي المزدوج، اضغط على Microwave أو Grill/Combi. للاستعلام عن مستوى الطاقة، الذي سيظهر على الشاشة لمدة 3 ثوانٍ.

10. وظيفة القفل للأطفال

يمكنك استخدام هذه الوظيفة لمنع الأطفال من تشغيل الجهاز بالخطأ. لتفعيل القفل: بوضع الانتظار، اضغط واستمر بالضغط على Stop/Clear لمدة 3 ثوانٍ. سيصدر صوت طنين طويل وسيظهر رمز القفل على الشاشة. لإلغاء القفل: بوضع القفل، اضغط واستمر بالضغط على Stop/Clear لمدة 3 ثوانٍ. وسيصدر صوت طنين طويل.

11. القائمة التلقائية

(1) أدر المقيض لليمين، وسيظهر الرمز "A1" على الشاشة.
(2) أدر المقيض لاختيار القائمة التي تريدها. تتوفر 8 قوائم تلقائية.
(3) اضغط على Start/+30Sec./Confirm للتأكيد.
(4) أدر المقيض لاختيار وزن الطعام.
(5) اضغط على Start/+30Sec./Confirm لبدء الطهي.
ملاحظة: بوضع الانتظار، أدر المقيض لليمين لاختيار القائمة التلقائية. في حال أدت المقيض ليسار، سيدخل الفرن وضع الطهي السريع.

3. ضبط مؤقت المطبخ

- (1) اضغط على Timer/Clock مرة واحدة، وسوف يظهر الرمز "0:00" على الشاشة.
- (2) أدر المقيض لضبط الوقت الذي ترغب به. نطاق الوقت ضمن 0:05 – 95:00.
- (3) اضغط على Start/+30Sec./Confirm للتأكيد. وسيبدأ المؤقت بالعد التنازلي.

ملاحظات:

- (1) مؤقت المطبخ هو مؤقت فقط، ولا توجد أي برامج أخرى معه.
- (2) فتح باب الفرن أثناء التشغيل لا يؤثر على عمل المؤقت. الضغط على Stop/Clear أثناء التشغيل سوف يؤدي إلى إيقاف الوضع الحالي.

4. الطهي بالشواء أو المزدوج

- (1) اضغط على Grill/Combi. بشكل متكرر لاختيار وظيفة الشواء أو الطهي المزدوج (مايكرويف وشواء)، وسوف تظهر الرموز "C-1"، "G"، و"C-2" على الشاشة بالتوالي.
- (2) اضغط على Start/+30Sec./Confirm لتأكيد الوضع.
- (3) أدر المقيض لضبط وقت الطهي. نطاق الوقت ضمن 0:05 – 95:00.
- (4) اضغط على Start/+30Sec./Confirm لبدء الطهي.

وظيفة Grill/Combi	رمز العرض	وقت الطهي بوظيفة المايكرويف	وقت الطهي بوظيفة الشواء
Combi.1	C-1	16 ثانية	13 ثانية
Combi.1	C-2	10 ثانية	19 ثانية

5. التذويب حسب الوزن

- (1) اضغط على Weight Defrost، وسيظهر الرمز "d01" على الشاشة.
 - (2) أدر المقيض لإدخال وزن الطعام المراد إذابته. نطاق الوزن 100 – 2000 غ.
 - (3) اضغط على Start/+30Sec./Confirm لبدء التذويب.
 - (4) عند الانتهاء من التذويب، سيصدر الجرس صوتاً 5 مرات.
- ملاحظة: سيصدر الجرس صوتاً لتذكيرك بتقليب الطعام أثناء عملية التذويب. إذا لم يكن هناك أي إجراء، سيواصل الفرن عمله.

6. التذويب حسب الوقت

- (1) اضغط على Time Defrost مرتين، وسوف يظهر الرمز "d02" على الشاشة.
 - (2) أدر المقيض لإدخال وقت التذويب. نطاق الوقت 0:05 – 95:00.
 - (3) اضغط على Start/+30Sec./Confirm لبدء التذويب.
 - (4) عند الانتهاء من التذويب، سيصدر الجرس صوتاً 5 مرات.
- ملاحظة: الطاقة الافتراضية للتذويب هي P30، ولا يمكن تغييرها.

7. الطهي السريع

- (1) في وضع الانتظار، اضغط على Start/+30Sec./Confirm لتهيء الطعام بمستوى طاقة 100% لمدة 30 ثانية. يمكن لكل ضغطة على نفس الزر زيادة 30 ثانية، وأقصى وقت هو 95 دقيقة.
- (2) ملاحظة: يمكنك الضغط على Start/+30Sec./Confirm لزيادة وقت الطهي في أوضاع الطهي بالميكرويف، الطهي بالشواء، الطهي المزدوج، والطهي متعدد المراحل.
- (3) في وضع الانتظار، أدر المقيض إلى اليسار لضبط وقت الطهي لمدة 95 دقيقة بمستوى طاقة 100%، وبعدها اضغط على Start/+30Sec./Confirm للبدء بالطهي.

8. الطهي متعدد المراحل

ملاحظات:

- (1) يمكن ضبط مرحلتين في وضع الطهي متعدد المراحل.
 - (2) إذا كان التذويب أحد المراحل، ستكون هذه الوظيفة في المرحلة الأولى تلقائياً.
 - (3) لا يمكن ضبط مؤقت المطبخ والقائمة التلقائية أثناء الطهي متعدد المراحل.
- مثال: إذا كنت ترغب في تذويب طعام بوزن 500غ بمستوى طاقة 80% لمدة 7 دقائق، فستكون الخطوات كالتالي:
- (1) اضغط على Weight Defrost، وسيظهر الرمز "d01" على الشاشة.
 - (2) أدر المقيض لإدخال وزن الطعام المراد تذويبه، وهو 500غ.
 - (3) اضغط على Microwave، وسيظهر الرمز "P100" على الشاشة.
 - (4) أدر المقيض لضبط مستوى الطاقة P80.
 - (5) اضغط على Start/+30Sec./Confirm لتأكيد مستوى الطاقة، وبعدها أدر المقيض لضبط وقت الطهي على 7 دقائق.
 - (6) اضغط على Start/+30Sec./Confirm لبدء الطهي.

التشغيل

1. ضبط الساعة

- (1) اضغط على Timer/Clock مرتين، وسوف يظهر الرمز "00:00" على الشاشة.
- (2) أدر المقبض لضبط الساعات. يجب أن يكون الوقت ضمن نطاق 0-23.
- (3) اضغط على Timer/Clock للتأكيد.
- (4) أدر المقبض لضبط الدقائق. يجب أن يكون الوقت ضمن نطاق 0-59.
- (5) اضغط على Timer/Clock للتأكيد.

ملاحظات:

- (1) إذا لم يتم الضغط على Timer/Clock للتأكيد أو إذا لم يتم التشغيل في غضون دقيقة واحدة بعد الخطوة 4، سيتم إلغاء العملية.
- (2) لإعادة ضبط الساعة، يرجى تكرار الخطوات 1-5.
- (3) إذا لم يتم ضبط الساعة، لن تعمل هذه الوظيفة عند التشغيل.

2. الطهي بوظيفة المايكرويف تتوفر 5 مستويات للطاقة.

مستوى الطاقة	100%	80%	50%	30%	10%
رمز العرض	P100	P80	P50	P30	P10

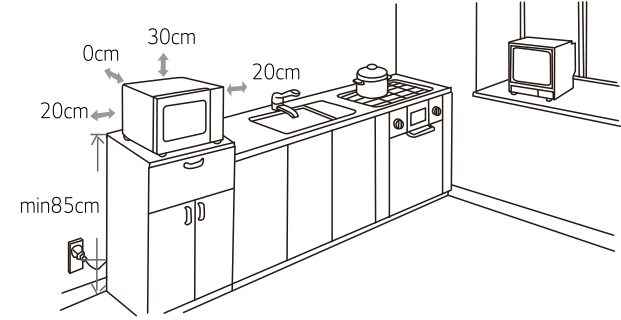
- اضغط على Microwave مرة واحدة، وسيظهر رمز "P100" على الشاشة.
- اضغط على Microwave بشكل متكرر، وأدر المقبض لاختيار مستوى الطاقة.
- اضغط على Start/+30Sec./Confirm للتأكيد.
- أدر المقبض لاختيار زمن الطهي. نطاق الوقت هو 0:05 - 95:00.
- اضغط على Start/+30Sec./Confirm لبدء الطهي.

التركيب على كاونتر المطبخ

أزل جميع مواد التعبئة والملحقات. افحص المايكرويف للتأكد من عدم وجود أي تلف، مثل: وجود طعج أو كسر في الباب. لا تركيب الجهاز إذا تبين وجود تلف به. الخزانة الداخلية للمايكرويف: أزل أي أغلفة حماية موجودة على سطح الخزانة الداخلية للمايكرويف. لا تقم بإزالة غطاء الميكا ذي اللون البني الفاتح الملحوق بباطن الجهاز؛ وذلك لحماية المغنطرون.

التركيب

1- اختر سطحاً مستوياً يوفر ما يكفي من المساحة المفتوحة للتصريف و/ أو فتحات التهوية.



- (1) الحد الأدنى لارتفاع التركيب يبلغ 85 سم.
- (2) يوضع السطح الخلفي للجهاز جهة الجدار. اترك مسافة لا تقل عن 30 سم فوق الجهاز، كما أن الأمر يحتاج إلى مسافة لا تقل عن 20 سم بين الجهاز وأي جدران مجاورة.
- (3) لا تقم بإزالة الأرجل الموجودة أسفل الجهاز.
- (4) قد يؤدي إغلاق التصريف و/ أو الفتحات إلى تلف الجهاز.
- (5) ضع الجهاز بعيداً عن المذياع والتلفاز قدر الإمكان. يمكن أن يسبب تشغيل المايكرويف تشويشاً على استقبال موجات المذياع أو التلفاز لديك.

2. وُصل قابس الجهاز بمنفذ تيار منزلي قياسي. تأكد أن الجهد والتردد الموجودين على الجهاز هما الموجودان على ملصق التصنيف.

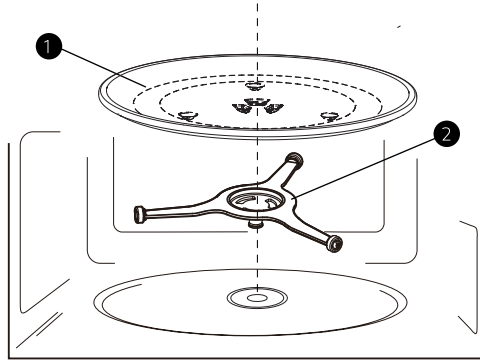
تحذير: احرص على عدم تركيب الجهاز فوق وحدة طهي تحتوي على طبخ أو غير ذلك من الأجهزة التي تولد الحرارة. في حال تركيب الجهاز فوق مصدر حراري أو بالقرب منه قد يؤدي ذلك إلى تلف الجهاز وإلغاء الضمان.



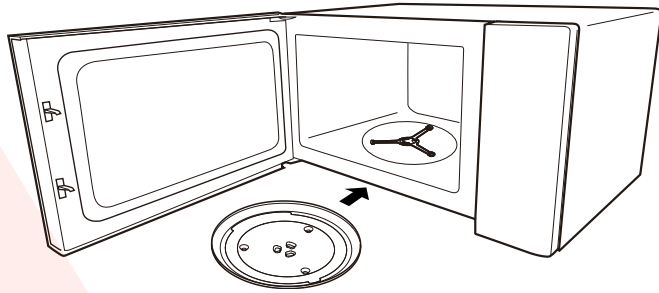
قد تكون أسطح الفرن ساخنة أثناء التشغيل.

أسماء أجزاء وملحقات الجهاز

يرجى تنظيف الأجزاء ووضع القرص الدوار في مكانه عند الاستخدام للمرة الأولى، تأكد من إزالة جميع مواد وملصقات التغليف والتعبئة. قبل الاستخدام، يجب وضع القرص الدوار في مكانه الصحيح جيداً، واحرص على تنظيف كافة الأجزاء والملحقات.



(1) صينية زجاجية
(2) القرص الدوار



ملاحظة:

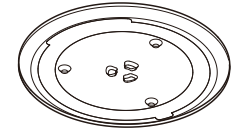
- لا تستخدم أبداً الجهاز بدون القرص الدوار، تأكد من تثبيته بمكانه بشكل صحيح. يمكن للقرص الدوار أن يتحرك أو يعكس اتجاه عقارب الساعة.
- لا تضع أبداً الصينية الزجاجية رأساً على عقب، احرص على عدم وجود أي عائق يعيق حركة الصينية الزجاجية.
- يجب وضع واستخدام كل من الصينية الزجاجية ومجموعة حلقة القرص الدوار أثناء الطهي.
- يجب وضع الطعام على الصينية الزجاجية أثناء الطهي.
- يجب عدم إعاقة حركة القرص الدوار.
- في حال حدوث تشقق أو كسور في الصينية الزجاجية أو القرص الدوار، يُرجى الاتصال بأقرب مركز خدمة معتمد.

أسماء أجزاء وملحقات الجهاز

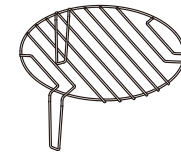
أخرج الجهاز وجميع المواد الموجودة في العلبة أو داخله. يأتيك الجهاز مع الملحقات التالية:



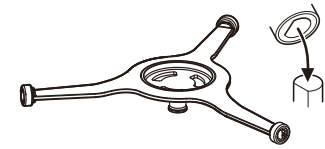
دليل التعليمات



صينية زجاجية

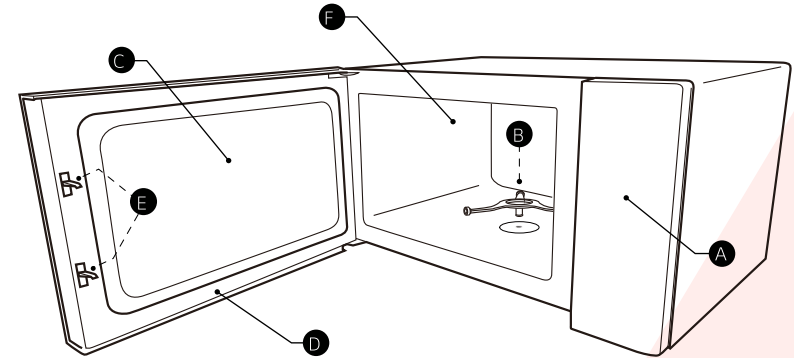


رف الشواء



قرص دوار

(يستخدم عند تشغيل وظيفة الشواء، لا يمكن استخدامه بوظيفة المايكرويف. ويجب وضعه على الصينية الزجاجية)



(د) الباب
(هـ) نظام غلق الباب
(و) تجويف الفرن

(أ) لوحة التحكم
(ب) القرص الدوار
(ج) نافذة للمشاهدة

المواد التي يمكن استخدامها في المايكرويف

ملاحظات	دوات الطهي
اتبع التعليمات الخاصة بالجهة المُصنعة. يجب أن يكون قاع صحن التحمير فوق القرص الدوار بمقدار 3/16 إنش (5 ملم) على الأقل. قد يؤدي الاستخدام غير الصحيح إلى كسر القرص الدوار.	صحن التحمير
الأدوات الآمنة الاستخدام داخل المايكرويف فقط. اتبع التعليمات الخاصة بالجهة المُصنعة. لا تستخدم الأطباق التي بها شروخ أو كسور.	أدوات المائدة
أزل الغطاء دائماً. استخدمها فقط لتسخين الطعام حتى يصبح دافئاً. لا تمتاز معظم البرطمانات الزجاجية بخاصية مقاومة الحرارة وقد تتكسر.	البرطمانات الزجاجية
أواني الفرن الزجاجية المقاومة للحرارة فقط. تأكد من عدم وجود أي حلية معدنية. لا تستخدم الأطباق التي بها شروخ أو كسور.	الأواني الزجاجية
اتبع التعليمات الخاصة بالجهة المُصنعة. لا تغلقها برباط معدني. اصنع بعض الفتحات للسماح بخروج البخار.	أكياس الطهي الخاصة بالأفران
تستخدم للطهي لمدة قصيرة/التدفئة فقط. لا تترك الجهاز دون مراقبة أثناء الطهي.	الأطباق والأكواب الورقية
تستخدم لتغطية الطعام بغرض إعادة التسخين وامتصاص الدهون. تستخدم -تحت الإشراف- للطهي لمدة زمنية قصيرة فقط.	المناشف الورقية
يستخدم بوصفه غطاءً لمنع النضح أو لفاقة للتبخير.	ورق الطهي
الأدوات الآمنة الاستخدام داخل المايكرويف فقط. اتبع التعليمات الخاصة بالجهة المُصنعة. يجب أن توضع عليها لاصقة "الاستخدام الآمن داخل المايكرويف". قد تصبح بعض الأوعية البلاستيكية ليينة أثناء تسخين الطعام داخلها. يجب ثقب أو تهوية أو شق "أكياس الغليان" والأكياس البلاستيكية المُحكّمة الغلق وفقاً للتعليمات الموجودة على العبوة.	البلاستيك
الأدوات الآمنة الاستخدام داخل المايكرويف فقط. تستخدم لتغطية الطعام أثناء الطهي للاحتفاظ برطوبته. لا تسمح للغلاف البلاستيكي بلمس الطعام.	الأغلفة البلاستيكية
المقاييس ذات خاصية الاستخدام الآمن داخل المايكرويف فقط (مقاييس درجة حرارة اللحم والحلوى).	مقاييس الحرارة
يستخدم غطاءً لمنع النضح والاحتفاظ بالرطوبة.	ورق الشمع

المواد التي يجب تجنب استخدامها في المايكرويف

ملاحظات	أدوات الطهي
قد تسبب عطلاً كهربائياً. انقل الأطعمة إلى أطباق آمنة الاستخدام في المايكرويف.	صواني الألومنيوم
قد تسبب عطلاً كهربائياً. انقل الأطعمة إلى أطباق آمنة الاستخدام في المايكرويف.	علب الطعام الكرتونية المزودة بمقبض معدني
تحتجب المعادن طاقة المايكرويف من الوصول إلى الطعام. قد تؤدي الجلي إلى حدوث عطل كهربائي.	أدوات الطهي المعدنية أو المزينة بجلي معدنية
قد تسبب عطلاً كهربائياً والاشتعال داخل الجهاز.	الأربطة المتحركة المعدنية
قد تسبب اشتعالاً داخل الجهاز.	الأكياس الورقية
يمكن أن يذوب الفوم البلاستيكي أو يُلوّث السائل الموجود في الداخل بسبب الحرارة العالية.	أواني الفوم البلاستيكية
سيجف الخشب عند استخدامه داخل المايكرويف، وقد يتشقق أو ينكسر.	الخشب

أدوات الطهي تنبيه

خطر التعرض لإصابات شخصية

يمثل القيام بأي عمليات صيانة أو إصلاح تشمل إزالة الغطاء الذي يحمي من التعرض لطاقة المايكرويف مصدر خطورة على أي شخص بخلاف المختص.

انظر التعليمات الخاصة "بالمواد التي يمكن استخدامها في أجهزة المايكرويف والمواد التي يجب تجنب استخدامها". قد تكون هناك أدوات طهي غير معدنية غير آمنة للاستخدام في المايكرويف. إذا انتابك شك يمكنك اختبار هذه الأدوات باتباع الخطوات التالية:

- اختبار أدوات الطهي:
- 1- املا وعاء آمناً مناسباً للاستخدام في المايكرويف بكوب واحد من الماء البارد (250 مل) وضع معه أداة الطهي المراد اختبارها.
- 2- اضبط مستوى الطهي على الحد الأقصى لمدة دقيقة واحدة.
- 3- استشعر أداة الطهي. إذا وجدت أداة الطهي الفارغة دافئة فلا تستخدمها للطهي داخل المايكرويف.
- 4- لا تجعل زمن الطهي يتجاوز دقيقة واحدة.

التنظيف

تأكد من فصل قابس الجهاز من مصدر الطاقة الكهربائية.

1- نظف الجزء الداخلي للميكرويف بعد الاستخدام بواسطة قطعة قماش مبللة قليلاً.

2- نظف الملحقات بالطريقة المعتادة وبالماء والصابون.

3- يجب تنظيف إطار الباب، ومانع التسرب، والأجزاء المجاورة جيداً عند اتساخها باستخدام قطعة قماش مبللة.

4- لا تستخدم أدوات تنظيف خشنة أو أدوات كشط معدنية حادة لتنظيف زجاج الباب؛ لأنها قد تخدش السطح، مما قد ينتج عنه تهشم الزجاج.

5- نصيحة للتنظيف: لتسهيل تنظيف جوانب الجزء الداخلي التي قد تلامس الطعام المطهو: ضع نصف

ليمونة في وعاء وأضف إليها 300 مل (1/2 باينت) من الماء ثم سخنه لمدة 10 دقائق بطاقة مايكرويف

100%. امسح الجهاز بلطف باستخدام قطعة قماش ناعمة وجافة.

لتقليل مخاطر التعرض للإصابات

التركيب والتأريض

خطر

خطر الصعق الكهربائي: يمكن أن يؤدي لمس الأجزاء الداخلية إلى إصابة الأشخاص إصابة خطيرة أو الوفاة. يُحظر تفكيك هذا الجهاز.

تحذير

خطر الصعق الكهربائي: يمكن أن يؤدي الاستخدام غير الصحيح للتأريض إلى التعرض لصعق كهربائي. يُحظر وضع القابس في منفذ التيار حتى يُركب الجهاز ويُعرض بشكل صحيح.

يجب تأريض هذا الجهاز. في حال حدوث تماس كهربائي يقلل التأريض من خطورة التعرض لصعق كهربائي؛ لأنه يوفر سلكاً إضافياً يسمح بتحرير التيار الكهربائي الزائد.

هذا الجهاز مزود بكابل به سلك تأريض ومعه قابس تأريض. يجب توصيل القابس بمنفذ تيار مُركَّب ومُؤرَّض بشكل صحيح.

استشر فني الكهرباء أو فني الصيانة المختص إذا كانت تعليمات التأريض غير مفهومة بالكامل، أو إذا كان هناك شك في كون الجهاز مؤرَّضاً بشكل صحيح.

إذا كان من الضروري استخدام كابل توصيل فاستخدم كابل توصيل ثلاثي الأسلاك فقط.

1. يتوفر مع الجهاز سلك قصير للإمداد بالطاقة؛ للحد من المخاطر الناتجة عن تشابك الأسلاك أو التعثر بسبب طول السلك.

2. في حال استخدام مجموعة أسلاك طويلة أو كابل توصيل طويل:

(1) يجب أن يكون التصنيف المحدد لكابل التوصيل أعلى من التصنيف الكهربائي للجهاز على الأقل.

(2) يجب أن يكون كابل التوصيل من نوع التأريض المزود بثلاثة أسلاك.

(3) يجب ترتيب السلك الطويل بحيث لا يتدلى من الكاونتر أو الطاولة؛ كيلا يجذبه الأطفال أو يتعثر به أحد دون قصد.

تعليمات مهمة للسلامة

تحذير

للحد من مخاطر الحريق، أو الصعق الكهربائي، أو إصابة الأشخاص، أو التعرض لطاقة المايكرويف المفرطة عند استخدام الجهاز الخاص بك، اتبع الاحتياطات الأساسية بما في ذلك ما يلي:

1- اقرأ واتبع: "الاحتياطات المحددة لتجنب احتمال التعرض لطاقة المايكرويف المفرطة".
2- يمكن للأطفال الذين يبلغون 8 أعوام أو أكثر، وكذلك الأشخاص الذين يعانون اضطرابات في القدرات البدنية أو الحسية أو العقلية، أو الأشخاص الذين تقصمهم الخبرة والمعرفة استخدام هذا الجهاز بشرط أن يكون ذلك تحت الإشراف المباشر أو من خلال إعطائهم التعليمات المتعلقة باستخدام الجهاز بطريقة آمنة وتوضيح المخاطر التي ينطوي عليها استخدامه. لا يُسمح للأطفال بالعبث بالجهاز أو إجراء عمليتي التنظيف والصيانة دون إشراف. لا يُسمح للأطفال بالعبث بالجهاز، أو إجراء عمليتي التنظيف والصيانة دون إشراف ينبغي إبعاد الأطفال الذين تقل أعمارهم عن 8 أعوام، إذا لم يتوفر الإشراف المستمر عليهم.

3- احتفظ بالجهاز والأسلاك الخاصة به بعيداً عن متناول الأطفال الذين تقل أعمارهم عن 8 أعوام.

4- في حال تلف سلك الكهرباء يجب استبداله عن طريق الجهة المُصنعة، أو وكيل الخدمات التابع لها، أو أشخاص مؤهلين بمستوى الكفاءة نفسه، وذلك لتجنب حدوث أي مخاطر. (التوصيلة بشكل Y).

5- تحذير: تأكد من إيقاف تشغيل المايكرويف قبل استبدال المصباح؛ لتجنب احتمال التعرض للصعق الكهربائي.

6- تحذير: يمثل القيام بأي عمليات صيانة أو إصلاح تشمل إزالة الغطاء الذي يحمي من التعرض لطاقة المايكرويف مصدر خطورة على أي شخص بخلاف المختص.

7- تحذير: يحظر تسخين السوائل والأطعمة الأخرى في أوعية مُحكمة الغلق؛ لأنها تكون عرضة للانفجار.

8- عند تسخين الطعام في أوعية بلاستيكية أو ورقية انتبه للجهاز تحسباً لاحتمال اشتعالها.

9- استخدم أدوات وأواني الطهي المناسبة لأفران المايكرويف فقط.

10- إذا لاحظت انبعاث دخان، أو وقف تشغيل الجهاز أو انزع القابس وارك الباب مغلقاً لإخماد أي ألسنة لهب.

11- قد يؤدي تسخين المشروبات في المايكرويف إلى تأخر الغليان؛ لذا يُرجى توخي الحذر عند إمساك الوعاء.

12- يجب تقليص محتويات زجاجات الإرضاع وأواني طعام الأطفال أو رُجها والتحقق من درجة حرارتها قبل استهلاكها؛ لتجنب الإصابة بحروق.

13- يجب عدم تسخين البيض غير المقشر أو البيض المسلوق في أفران المايكرويف؛ فقد ينفجر حتى بعد الانتهاء من التسخين.

14- يجب تنظيف الجهاز بانتظام وإزالة أي بقايا طعام.

15- قد يؤدي الإخفاق في الحفاظ على نظافة الجهاز إلى تلف السطح، مما قد يؤثر سلباً في عمر الجهاز واحتمالية التعرض لمواقف خطيرة.

16- يجب عدم تركيب المايكرويف خلف باب ديكوري لتجنب السخونة الزائدة. (لا ينطبق ذلك على الأجهزة التي تتضمن باب ديكوري).

17- لا تستخدم إلا مقياس الحرارة الموصى به لهذا الجهاز (وذلك بالنسبة لأجهزة المايكرويف المزودة بإمكانية استخدام مقياس استشعار درجة الحرارة).

18- لا يجب وضع هذا المايكرويف داخل خزانة المطبخ، إلا إذا تم اختبار عمله لهذا الغرض.

19- لا يجب تشغيل المايكرويف والباب الديكوري مفتوح. (بالنسبة للأجهزة التي تتضمن باب ديكوري).

20- هذا الجهاز مصمم للاستخدام في الأغراض المنزلية والأغراض المماثلة، مثل:

- أماكن إعداد الطعام في المحلات، والمكاتب، وأماكن العمل الأخرى.

- من قِبَل العملاء في الفنادق، والنزل، وأماكن الإقامة الأخرى.

- الأماكن التي تكفل المبيت والإفطار.

21- هذا الجهاز مصمم للاستخدام لتسخين الأطعمة والمشروبات، وقد ينتج عن استخدامه لتجفيف الطعام أو الملابس، أو تسخين وسائد التدفئة أو النعال أو الإسفنجيات أو الأقمشة المبللة، وما شابه ذلك خطر التعرض للإصابة أو حدوث اشتعال أو حريق.

22- لا يُسمح بالطهي باستخدام الأوعية المطلية بطبقة طلاء معدني والخاصة بالأطعمة والمشروبات.

23- يحظر تنظيف الجهاز بالبخار.

24- هذا المايكرويف مخصص للاستخدام المنزلي وليس للاستخدام المدمج داخل الخزائن.

25- يجب وضع السطح الخلفي للجهاز باتجاه الجدار.

26- هذا الجهاز غير مصمم للعمل بمؤقت خارجي أو نظام تحكم عن بُعد منفصل.

27- قد تكون أسطح الجهاز ساخنة أثناء التشغيل.

28 - تحذير: لا يُسمح للأطفال باستخدام الجهاز إلا بإشراف أشخاص بالغين، نظراً لدرجات الحرارة العالية المنبعثة منه.

اقرأ هذه التعليمات بعناية واحتفظ بها للرجوع إليها لاحقاً

احتياطات لتجنب احتمال التعرض للموجات المفرطة من المايكرويف
(أ) لا تحاول تشغيل هذا الجهاز وبابه مفتوح؛ لأن هذا قد يؤدي إلى التعرض لأضرار طاقة المايكرويف. من المهم عدم كسر أفعال الأمان أو العبث بها.
(ب) لا تضع أي جسم بين الواجهة الأمامية للمايكرويف والباب ولا تسمح بتراكم بقايا الأتربة ومواد التنظيف على موانع التسرب.
(ج) تحذير: في حال تلف الباب أو موانع التسرب الخاصة بالباب، يُحظر تشغيل الجهاز إلى أن يتم إصلاحه من قبل فني مختص.

ملاحظة إضافية

عدم المحافظة على نظافة الجهاز قد يتسبب في تلف سطحه، مما يؤثر سلباً في عُمر الجهاز واحتمالية التعرض لمخاطر.

المواصفات

الطراز:	MW28G6
الجهد المقنن:	230 فولت - 50 هرتز
قدرة الدخل المقننة (المايكرويف):	1450 واط
قدرة الخرج المقننة (المايكرويف):	900 واط
قدرة الخرج المقننة (الشواء):	1000 واط



الطراز: MW28G6