



# فرن مايكرويف شواء مدمج • تحكم باللمس

# Grill Microwave Oven Built-in • Touch Control

دليل المستخدم

User's Manual

الموديل:

BMWHA-25GMR5 ▲

Model:

▲ BMWHA-25GMR5

الرجاء قراءة هذا الدليل بعناية قبل تشغيل الجهاز،  
و احتفظ به للرجوع إليه مستقبلاً.

Please read this manual carefully before operating your set.  
Retain it for future reference.

هذه التصاميم و المواصفات عرضة للتغيير بهدف إدخال تحسينات عليها  
و ذلك دون إشعار مسبق.

Designs and specifications are subject to change for improvement  
without prior notice.

ISO9001 CB

ISO9001 CB





Model: BMWHA-25GMR5

## PRECAUTIONS TO AVOID POSSIBLE EXPOSURE TO EXCESSIVE MICROWAVE ENERGY

- (a) Do not attempt to operate this oven with the door open since this can result in harmful exposure to microwave energy. It is important not to break or tamper with the safety interlocks.
- (b) Do not place any object between the oven front face and the door or allow soil or cleaner residue to accumulate on sealing surfaces.
- (c) **WARNING:** If the door or door seals are damaged, the oven must not be operated until it has been repaired by a competent person.

## ADDENDUM

If the apparatus is not maintained in a good state of cleanliness, its surface could be degraded and affect the lifespan of the apparatus and lead to a dangerous situation.

## SPECIFICATIONS

Model:	BMWHA-25GMR5
Rated Voltage:	230V ~ 50Hz
Rated Input Power (Microwave) :	1450W
Rated Output Power(Microwave):	900W
Rated Input Power(Grill):	1000W
Oven Capacity:	25L
Turntable Diameter:	Ø 315mm
External Dimensions:	595x401x388mm
Net Weight:	Approx. 19.5 kg

## IMPORTANT SAFETY INSTRUCTIONS

### WARNING

To reduce the risk of fire, electric shock, injury to persons or exposure to excessive microwave oven energy when using your appliance, follow basic precautions, including the following:

1. Read and follow the specific: "PRECAUTIONS TO

### AVOID POSSIBLE EXPOSURE TO EXCESSIVE MICROWAVE ENERGY".

2. This appliance can be used by children aged from 8 years and above and persons with reduced physical, sensory or mental capabilities or lack of experience and knowledge if they have been given supervision or instruction concerning use of the appliance in a safe way and understand the hazards involved. Children shall not play with the appliance. Cleaning and user maintenance shall not be made by children unless they are older than 8 and supervised. Children less than 8 years of age shall be kept away unless continuously supervised.

3. Keep the appliance and its cord out of reach of children less than 8 years.

4. If the supply cord is damaged, it must be replaced by the manufacturer, its service agent or similarly qualified persons in order to avoid a hazard. (For appliance with type Y attachment)

5. **WARNING:** Ensure that the appliance is switched off before replacing the lamp to avoid the possibility of electric shock.

6. **WARNING:** It is hazardous for anyone other than a competent person to carry out any service or repair operation that involves the removal of a cover which gives protection against exposure to microwave energy.

7. **WARNING:** Liquids and other foods must not be heated in sealed containers since they are liable to explode.

8. When heating food in plastic or paper containers, keep an eye on the oven due to the possibility of ignition.

9. Only use utensils that are suitable for use in microwave ovens.

10. If smoke is emitted, switch off or unplug the appliance and keep the door closed in order to stifle any flames.

11. Microwave heating of beverages can result in delayed eruptive boiling, therefore care must be taken when handling the container.

12. The contents of feeding bottles and baby food jars shall be stirred or shaken and the temperature checked before consumption, in order to avoid burns.

13. Eggs in their shell and whole hard-boiled eggs should not be heated in microwave ovens since they may explode, even after microwave heating has ended.

14. The oven should be cleaned regularly and any food deposits removed.

15. Failure to maintain the oven in a clean condition could lead to deterioration of the surface that could adversely affect the life of the appliance and possibly result in a hazardous situation.

16. Only use the temperature probe recommended for this oven. (for ovens provided with a facility to use a temperature-sensing probe.)

17. The microwave oven must be operated with the decorative door open. (for ovens with a decorative door.)

18. This appliance is intended to be used in household and similar applications such as:

-staff kitchen areas in shops, offices and other working environments;

-by clients in hotels, motels and other residential type environments;

-farm houses;

-bed and breakfast type environments.

19. The microwave oven is intended for heating food and to clean the oven door glass since they can scratch warming pads, slippers, sponges, damp cloth and similar may lead to risk of injury, ignition or fire.

20. Metallic containers for food and beverages are not allowed during microwave cooking.

21. The appliance shall not be cleaned with a steam cleaner.

22. Care should be taken not to displace the turntable when removing containers from the appliance. (For fixed

appliances and built-in appliances being used equal or higher than 900mm above the floor and having detachable turntables. But this is not applicable with horizontal bottom hinged door.)

23. The microwave oven is intended to be used built-in.

24. Steam cleaner is not to be used.

25. Surface of a storage drawer can get hot.

26. **WARNING:** The appliance and its accessible parts become hot during use.

Care should be taken to avoid touching heating elements.

Children less than 8 years of age shall be kept away unless continuously supervised.

27. During use the appliance becomes hot. Care should be taken to avoid touching heating elements inside the oven.

28. **WARNING:** Accessible parts may become hot during use.

Young children should be kept away.

29. The appliance must not be installed behind a decorative door in order to avoid overheating. (This is not applicable for appliances with decorative door).

30. **WARNING:** When the appliance is operated in the combination mode, children should only use the oven under adult supervision due to the temperatures generated.

31. Do not use harsh abrasive cleaners or sharp metal scrapers to clean the oven door glass since they can scratch the surface, which may result in shattering of the glass.

READ CAREFULLY AND KEEP FOR FUTURE REFERENCE

## To Reduce the Risk of Injury to Persons Grounding Installation

### DANGER

Electric Shock Hazard Touching some of the internal components can cause serious personal injury or death. Do not disassemble this appliance.

### WARNING

Electric Shock Hazard  
Improper use of the grounding can result in electrical shock.  
Do not plug into an outlet until appliance is properly installed and grounded.

This appliance must be grounded. In the event of an electrical short circuit, grounding reduces the risk of electric shock by providing an escape wire for the electric current.

This appliance is equipped with a cord having a grounding wire with a grounding plug. The plug must be plugged into an outlet that is properly installed and grounded.

Consult a qualified electrician or service man if the grounding instructions are not completely understood or if doubt exists as to whether the appliance is properly grounded.

If it is necessary to use an extension cord, use only a -3wire extension cord.

1. A short power-supply cord is provided to reduce the risks resulting from becoming entangled in or tripping over a longer cord.

2. If a long cord set or extension cord is used:

- 1)The marked electrical rating of the cord set or extension cord should be at least as great as the electrical rating of the appliance.
- 2)The extension cord must be a grounding-type -3wire cord.
- 3)The long cord should be arranged so that it will not drape over the counter top or tabletop where it can be pulled on by children or tripped over unintentionally.

## CLEANING

Be sure to unplug the appliance from the power supply.

1. Clean the cavity of the oven after using with a slightly damp cloth.
2. Clean the accessories in the usual way in soapy water.
3. The door frame and seal and neighbouring parts must be cleaned carefully with a damp cloth when they are dirty.
4. Do not use harsh abrasive cleaners or sharp metal scrapers to clean the oven door glass since they can scratch the surface, which may result in shattering of the glass.
5. Cleaning Tip---For easier cleaning of the cavity walls that the food cooked can touch: Place half a lemon in a bowl, add 300ml (1/2 pint) water and heat on 100% microwave power for 10 minutes. Wipe the oven clean using a soft, dry cloth.

## UTENSILS

### CAUTION

Personal Injury Hazard It is hazardous for anyone other than a competent person to carry out any service or repair operation that involves the removal of a cover which gives protection against exposure to microwave energy.

See the instructions on "Materials you can use in microwave oven or to be avoided in microwave oven."

There may be certain non-metallic utensils that are not safe to use for microwaving. If in doubt, you can test the utensil in question following the procedure below.

### Utensils Test:

- Fill a microwave-safe container with 1 cup of cold water (250ml) along with the utensil in question.
2. Cook on maximum power for 1 minute.
  3. Carefully feel the utensil. If the empty utensil is warm, do not use it for microwave cooking.
  4. Do not exceed 1 minute cooking time.

## Materials you can use in microwave oven

Utensils	Remarks
Browning dish	Follow manufacturer's instructions. The bottom of browning dish must be at least 3/16 inch (5mm) above the turntable. Incorrect usage may cause the turntable to break.
Dinnerware	Microwave-safe only. Follow manufacturer's instructions. Do not use cracked or chipped dishes.
Glass jars	Always remove lid. Use only to heat food until just warm. Most glass jars are not heat resistant and may break.
Glassware	Heat-resistant oven glassware only. Make sure there is no metallic trim. Do not use cracked or chipped dishes.
Oven cooking bags	Follow manufacturer's instructions. Do not close with metal tie. Make slits to allow steam to escape.
Paper plates and cups	Use for short-term cooking/warming only. Do not leave oven unattended while cooking.
Paper towels	Use to cover food for reheating and absorbing fat. Use with supervision for a short-term cooking only.
Parchment paper	Use as a cover to prevent splattering or a wrap for steaming.
Plastic	Microwave-safe only. Follow the manufacturer's instructions. Should be labeled "Microwave Safe". Some plastic containers soften, as the food inside gets hot. "Boiling bags" and tightly closed plastic bags should be slit, pierced or vented as directed by package.
Plastic wrap	Microwave-safe only. Use to cover food during cooking to retain moisture. Do not allow plastic wrap to touch food.
Thermometers	Microwave-safe only (meat and candy thermometers).
Wax paper	Use as a cover to prevent splattering and retain moisture.

## Materials to be avoided in microwave oven

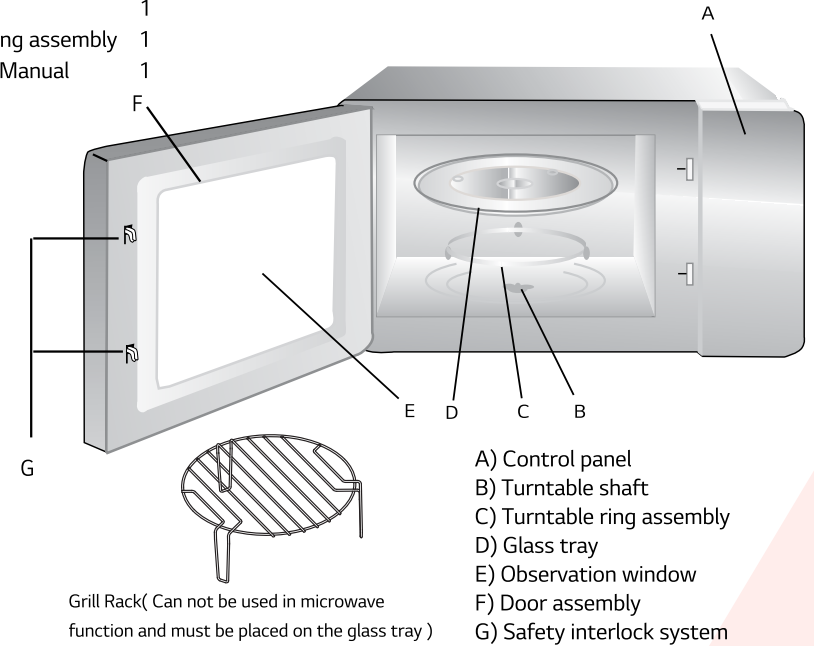
Utensils	Remarks
Aluminum tray	May cause arcing. Transfer food into microwave-safe dish.
Food carton with metal handle	May cause arcing. Transfer food into microwave-safe dish.
Metal or metal-trimmed utensils	Metal shields the food from microwave energy. Metal trim may cause arcing.
Metal twist ties	May cause arcing and could cause a fire in the oven.
Paper bags	May cause a fire in the oven.
Plastic foam	Plastic foam may melt or contaminate the liquid inside when exposed to high temperature.
Wood	Wood will dry out when used in the microwave oven and may split or crack.

## SETTING UP YOUR OVEN

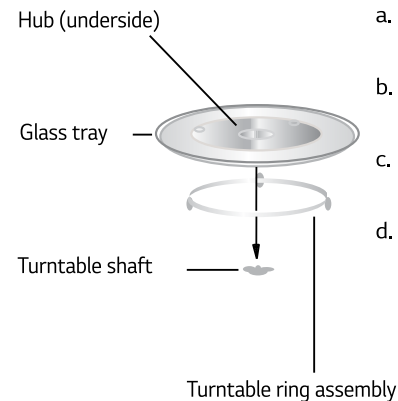
### Names of Oven Parts and Accessories

Remove the oven and all materials from the carton and oven cavity. Your oven comes with the following accessories:

Glass tray 1  
Turntable ring assembly 1  
Instruction Manual 1



### Turntable Installation



- Never place the glass tray upside down. The glass tray should never be restricted.
- Both glass tray and turntable ring assembly must always be used during cooking.
- All food and containers of food are always placed on the glass tray for cooking.
- If glass tray or turntable ring assembly cracks or breaks, contact your nearest authorized service center.

## Installation and connection

- 1.This appliance is only intended for domestic use.
- 2.This oven is intended for built-in use only. It is not intended for counter-top use or for use inside a cupboard.
3. Please observe the special installation instructions.
- 4.The appliance can be installed in a 60cm wide wall-mounted cupboard.
- 5.The appliance is fitted with a plug and must only be connected to a properly installed earthed socket.
- 6.The mains voltage must correspond to the voltage specified on the rating plate.
- 7.The socket must be installed and connecting cable must only be replaced by a qualified electrician. If the plug is no longer to accessible following installation, an all-pole disconnecting device must be present on the installation side with a contact gap of at least 3mm.
- 8.Adapters, multi-way strips and extension leads must not be used. Overloading can result in a risk of fire.

The accessible surface may be hot during operation.



## Installation Instructions

Please Read the Manual Carefully Before Installation

Please note

Electrical connection


The oven is fitted with a plug and must only be connected to a properly installed earthed socket. The socket must only be installed and the connecting cable must only be replaced by a qualified electrician, and in accordance with the appropriate regulations. If the plug is no longer accessible following installation, an all-pole isolating switch must be present in the installation side with a contact gap of at least 3 mm. The fitted cabinet must not have a back wall behind the appliance. A gap must be maintained between the wall and the base of the unit above. Specific gap size could be referenced by the diagrams. Minimum installation height 85cm. Do not cover ventilation slots and suction holes.

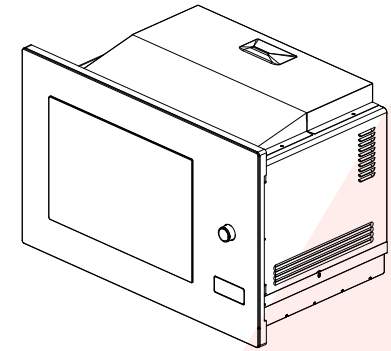
Note:

Do not trap or bend the power cable.

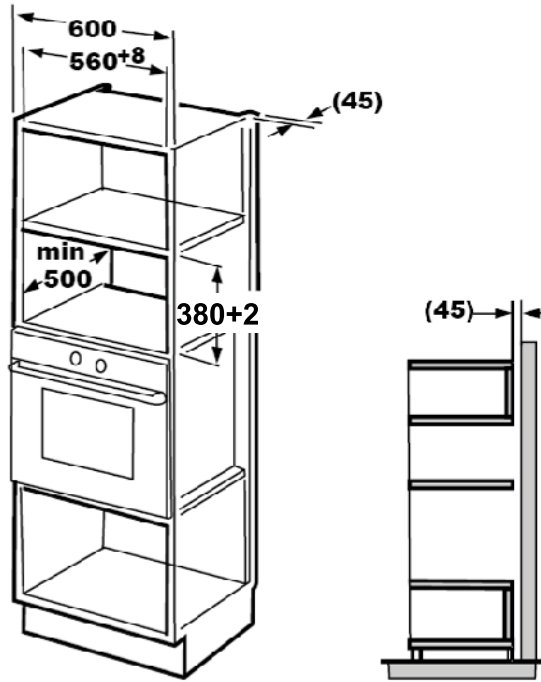
⌘⌘⌘ Screw

 Mounting Plate

 Trim-kit plastic cover

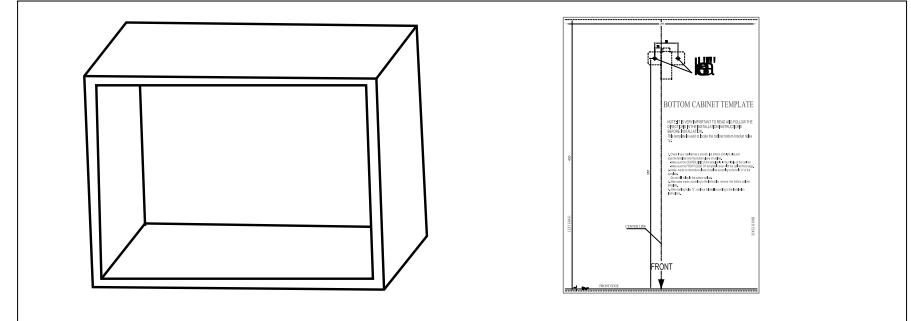


## A. Built-in furniture

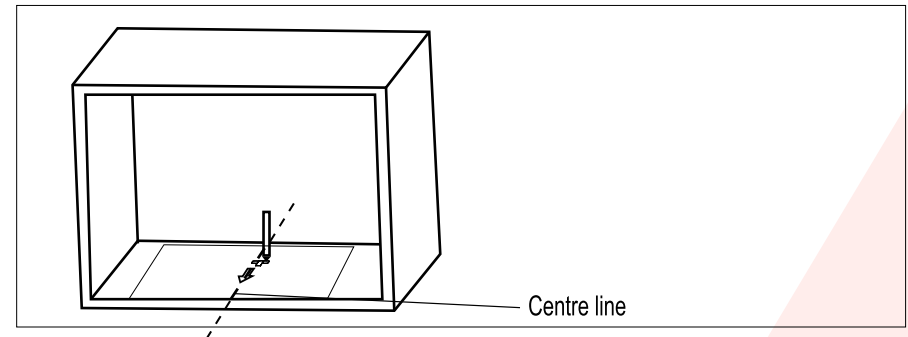


## B. Prepare the cabinet

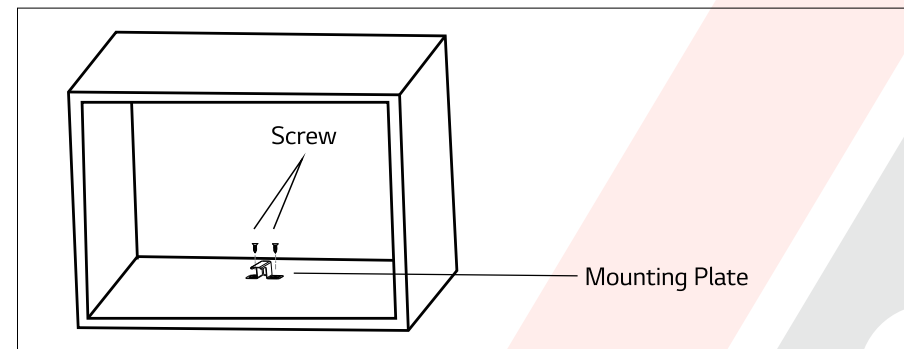
1. Read the instruction on the BOTTOM CABINET TEMPLATE , put the template on the bottom plane of cabinet.



2. Make the marks on the bottom plane of cabinet according to marks "a" of the template



3. Remove the bottom cabinet template and fix the mounting plate with screw.

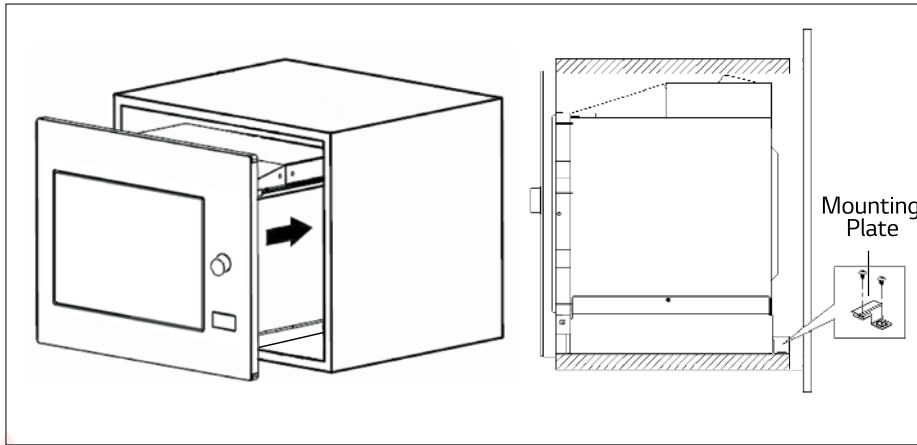




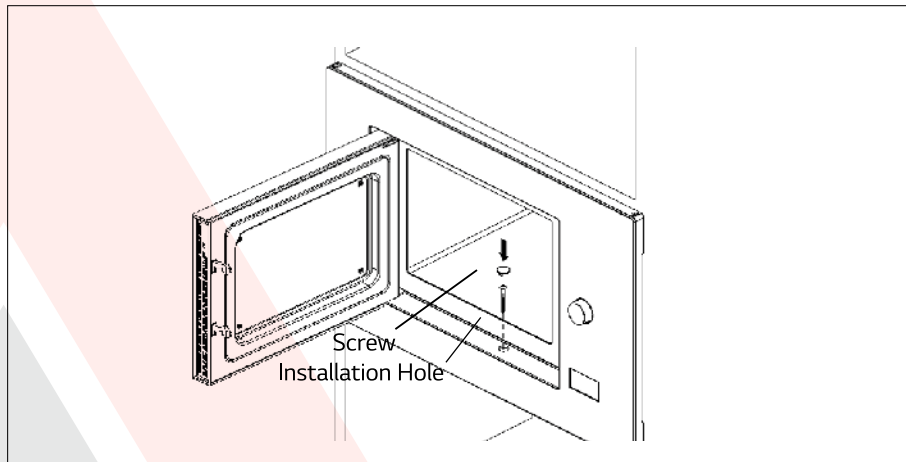
## C Install the oven

### 4. Install the oven to the cabinet

- Make sure the back of the oven is locked by mounting plate .
- Do not trap or kink the power cord.



5. Open the door, fix the oven to the cabinet with Screw , at the installation hole.  
Then fix the Trim-kit plastic cover to the installation hole.



## Operation Instruction

This microwave oven uses modern electronic control to adjust cooking parameters to meet your needs better for cooking.

### 1. Clock Setting

When the microwave oven is electrified, the oven will display "0:00"; buzzer will ring once.

- 1) Press "Kitchen Timer/Clock" twice, the hour figure flash.
- 2) Press " ^ or v " to adjust the hour figures, the input time should be within 0-23.
- 3) Press "Kitchen Timer/Clock "; the minute figures will flash.
- 4) Press " ^ or v " to adjust the minute figures, the input time should be within 0-59.
- 5) Press "Kitchen Timer/Clock " to finish clock setting. ":" will flash, the clock setting has been finished.

Note: 1) If the clock is not set, the clock would not function when powered.

- 2) During the process of clock setting, if you press "STOP / clear "; the oven will go back to previous status automatically.

### 1. Microwave Cooking

- 1) Press the " Micro/Grill/Combi " key once, and "P100" will display.
- 2) Press "Micro/Grill/Combo " for times or press " ^ or v " to select the microwave power from 100% to 10%. "P100", "P80", "P50", "P30", "P10" will display in order.
- 3) Press "START/+30Sec./Confirm "to Conform".
- 4) Press " ^ or v " to select the cooking time. (The time setting should be 0:05-95:00.)
- 5) Press "START/+30Sec./Confirm "to start cooking.

Note: the step quantities for the adjustment time of the coding switch are as follow:

- 0-1 min : 5 seconds
- 1-5min : 10 seconds
- 5-10min : 30 seconds
- 10-30min : 1minute
- 30-95min : 5minutes

### Microwave Power Chart

Microwave Power	100%	80%	50%	30%	10%
Display	P100	P80	P50	P30	P10



### 3. Grill or Combi Cooking

Press "Micro /Grill/Combi." once the screen will display "P100", and press "Micro /Grill/Combi." for times or press "∧ or ∨" to choose the power you want, and "G" "C-1" or "C-2" will display. Then press "START/+30Sec./Confirm" to confirm, and turn to set cooking time from 0:05 to 95:00. Press "START/+30Sec./Confirm" again to start cooking.

Example: If you want to use 55% microwave power and 45% grill power (C1-) to cook for 10 minutes, you can operate the oven as the following steps.

- 1) Press " Micro /Grill/Combi. " once, the screen displays "P100".
- 2) Continue to press " Micro /Grill/Combi. " until the screen displays "C-1".
- 3) Press " START/+30Sec./Confirm " to confirm.
- 4) Press "∧ or ∨" to adjust the cooking time until the oven displays "10:00".
- 5) Press " START/+30Sec./Confirm " to start cooking.

Combination Power instructions:

Program	Display	Microwave Power	Grill Power
Grill	G	0%	100%
Combi.1	C1-	55%	45%
Combi.2	C2-	36%	64%

Note: If half the grill time passes, the oven sounds twice, and this is normal. In order to have a better effect of grilling food, you should turn the food over, close the door, and then press "START/+30Sec./Confirm" to continue cooking. If no operation, the oven will continue working.

### 4. Defrost By Weight

- 1) Press " Weight/Time Defrost " once, the screen will display "dEF1".
- 2) Press "∧ or ∨" to select the food weight. The range of weight is 100-2000g.
- 3) Press " START/+30Sec./Confirm " key to start defrosting.

### 5. Defrost By Time

- 1) Press " Weight/Time Defrost " twice, the screen will display "dEF2".
- 2) Press "∧ or ∨" to select the cooking time. The maximum time is 95 minutes.
- 3) Press " START/+30Sec./Confirm " key to start defrosting.

### 6. Multi-Stage Cooking

Two stages can be maximumly set. If one stage is defrosting, it should be put in the first stage automatically. The buzzer will ring once after each stage and the next stage will begin.

Note: Auto menu cannot be set as one of the multi-stage.

Example: if you want to defrost the food for 5 minutes, then to cook with 80% microwave power for 7 minutes. The steps are as following:

- 1) Press " Weight/Time Defrost " twice, the LED display "dEF2".
- 2) Press "∧ or ∨" to adjust the defrost time of 5 minutes;
- 3) Press " Micro /Grill/Combi " once, LED will display "P100".
- 4) Press "∧ or ∨" to choose microwave power till "P80" displays;
- 5) Press " START/+30Sec./Confirm " to confirm, LED will display "P80".
- 6) Press "∧ or ∨" to adjust the cooking time of 7 minutes;
- 7) Press " START/+30Sec./Confirm " to start cooking.

### 7. Kitchen Timer

- (1) Press " Kitchen Timer/Clock " once, screen will display 00:00.
- (2) Press "∧ or ∨" to enter the correct timer (The maximum cooking time is 95 minutes.)
- (3) Press " START/+30Sec./Confirm " to confirm setting, timer indicator will be lighted.
- (4) When the kitchen time is reached, timer indicator will go out. The buzzer will ring 5 times. If the clock has been set (-24hour system), screen will display the current time.

Note: The kitchen Timer is different from -24hour system. Kitchen Timer is a timer.

## 8. Auto Menu

- 1) In waiting state, press "∧" to choose the menu from "A-1" to "A-8".
- 2) Press "START/+30Sec./Confirm" to confirm the menu you choose.
- 3) Press "∧ or ∨" to choose the food weight.
- 4) Press "START/+30Sec./Confirm" to start cooking.
- 5) After cooking finishes, the buzzer sounds five times. The screen display "0:00". If the time has been set, current time will be displayed.

The menu chart:

Menu	Weight	Display
A-1 Pizza	200 g	200
	400 g	400
A-2 Meat	250 g	250
	350 g	350
	450 g	450
A-3 Vegetable	200 g	200
	300 g	300
	400 g	400
A-4 Pasta	50g(with 450ml cold water)	50
	100g(with 800 ml cold water)	100
A-5 Potato	200 g	200
	400 g	400
	600 g	600
A-6 Fish	250 g	250
	350 g	350
	450 g	450
A-7 Beverage	1 cup(120 ml)	1
	2 cups(240 ml)	2
	3 cups(360ml)	3
A-8 Popcorn	50 g	50
	100 g	100

## 9. Speedy Cooking

- 1) In waiting state, press "START/+30Sec./Confirm" key to cook with 100% power level for 30 seconds. Each press on the same key can increase 30 seconds. The maximum cooking time is 95 minutes.
- 2) During the microwave, grill, combination cooking and the defrost by time process, press "START/+30Sec./Confirm" to increase the cooking time.
- 3) In waiting state press "∨" to set cooking time with %100 microwave power, then press "START/+30Sec./Confirm" to start cooking.

Note: Under the states of auto menu and defrost by weight, cooking time cannot be increased by pressing "START/+30Sec./Confirm".

## 10. Lock Function for Children

- Lock: In waiting state, press "STOP /Clear" for 3 seconds, there will be a long beep denoting entering the children-lock state and lock indicator lights. The screen will display current time or "🔒🔒🔒".
- Lock quitting: In locked state, press "STOP/Clear" for 3 seconds, there will be a long "beep" denoting that the lock is released.

## 11. Inquiring Function

- 1) In cooking states of microwave, grill and combination, press "Micro /Grill/Combi" the current power will be displayed for 3 seconds.
- 2) During cooking state, press "Kitchen Timer/Clock" to check the current time. It will be displayed for 3 seconds.

## 12. Specification

- (1) "START/+30Sec./Confirm" must be pressed to continue cooking if the door is opened during cooking;
- (2) Once the cooking programme has been set, "START/+30Sec./Confirm" is not pressed in 1 minute. The current time will be displayed. The setting will be cancelled.
- (3) The buzzer sounds once by efficient press, inefficient press will be no response.

## Trouble shooting

NORMAL	
Microwave oven interfering TV reception	Radio and TV reception may be interfered when microwave oven operating. It is similar to the interference of small electrical appliances, like mixer, vacuum cleaner, and electric fan. It is normal.
Dim light	In low power microwave cooking, oven light may become dim. It is normal.
Steam accumulating on door, hot air out of vents.	In cooking, steam may come out of food. Most will get out from vents. But some may accumulate on cool place like oven door. It is normal.
Oven started accidentally with no food in	It is forbidden to run the unit without any food inside. It is very dangerous.

Trouble	Possible Cause	Remedy
Oven can not be started	(1) Power cord not plugged in tightly.	Unplug. Then plug again after 10 seconds.
	(2) Fuse blowing or circuit breaker works.	Replace fuse or reset circuit breaker (repaired by professional personnel of our company)
	(3) Trouble with outlet.	Test outlet with other electrical appliances.
Oven does not heat.	(4) Door not closed well.	Close door well.



According to Waste of Electrical and Electronic Equipment (WEEE) directive, WEEE should be separately collected and treated. If at any time in future you need to dispose of this product please do NOT dispose of this product with household waste. Please send this product to WEEE collecting points where available.

## استكشاف الأعطال وإصلاحها

اعتيادي	
تشويش المايكرويف على استقبال موجات التلفزيون	قد يحدث تشويش على استقبال موجات الراديو والتلفزيون عند تشغيل جهاز المايكرويف، وهو ما يشبه تشويش الأجهزة الكهربائية الصغيرة، مثل: الخلاط، والمكنسة الكهربائية، والمروحة الكهربائية، ويعود هذا الأمر شيئاً اعتيادياً.
ضوء الفرن خافت	عند استخدام المايكرويف للطهي بطاقة منخفضة، فقد يصبح ضوء الفرن خافتاً. ويعود هذا الأمر شيئاً اعتيادياً.
تراكم الأبخرة على الباب وخروج الهواء الساخن من فتحات التهوية	عند الطهي، يمكن خروج البخار من الأطعمة، والذي سيخرج أغلبه من فتحات التهوية. قد يتراكم القليل منه فوق مكان بارد مثل باب المايكرويف، ويعود هذا الأمر شيئاً اعتيادياً.
تشغيل الجهاز دون قصد مع عدم وجود طعام داخله	يُحظر تشغيل الجهاز دون وجود أي أطعمة داخله؛ فهذا الأمر خطير للغاية.

المشكلة	السبب المحتمل	إصلاح الخلل
تراكم الأبخرة على الباب وخروج الهواء الساخن من فتحات التهوية	(1) سلك توصيل الكهرباء غير متصل جيداً بالقابس.	انزع القابس، ثم أوصله مرة أخرى بعد مرور 10 ثوانٍ.
	(2) انفجار الصمام الكهربائي أو عمل قاطع التيار الكهربائي.	استبدل المصهر أو أعد توصيل الدائرة (فقط من قبل فني مؤهل من شركتنا)
	(3) مشكلة في منفذ التيار.	اختبر منفذ التيار مع الأجهزة الكهربائية الأخرى.
الجهاز لا يُسخن	(4) الباب غير مغلق جيداً.	أغلق الباب جيداً.

وفقاً للتوجيه الأوروبي بشأن نفايات المعدات الكهربائية والإلكترونية (WEEE)، يجب تجميع نفايات المعدات الكهربائية والإلكترونية والتخلص منها بشكل منفصل. إذا رغبت في التخلص من هذا المنتج في المستقبل، يُرجى عدم التخلص منه مع النفايات المنزلية. يُرجى إرسال هذا المنتج إلى نقاط تجميع نفايات المعدات الكهربائية والإلكترونية إن توفرت.



## 8- قائمة تلقائية

يضم فرن المايكرويف هذا لوحة تحكم إلكترونية بتصميم حديث ومتطور لضبط معايير الطهي، بما يناسب جميع احتياجاتك وضمان أفضل مستوى للطهي.

- 1) في وضع الانتظار، اضغط على " ^ " لاختيار القائمة من "A-1" إلى "A-8".
- 2) اضغط على "تشغيل/30+ ثانية/تأكيد" لتأكيد القائمة التي اخترتها.
- 3) اضغط على " ^ " أو " v " لاختيار وزن الطعام.
- 4) اضغط على "تشغيل/30+ ثانية/تأكيد" لبدء الطهي.
- 5) بعد انتهاء الطهي، يصدر الجرس صوتاً خمس مرات. وستعرض الشاشة "0:00". في حال إعداد الوقت، تعرض الشاشة الوقت الحالي.

### مخطط القائمة:

القائمة	الوزن	شاشة العرض
A-1 البيتزا	200 جرام	200
	400 جرام	400
A-2 اللحوم	250 جراماً	250
	350 جراماً	350
	450 جراماً	450
A-3 الخضراوات	200 جراماً	200
	300 جراماً	300
	400 جراماً	400
A-4 المعكرونة	50 جراماً (مع 450 مل من الماء البارد)	50
	100 جرام (مع 800 مل من الماء البارد)	100
A-5 البطاطا	200 جرام	200
	400 جرام	400
	600 جرام	600
A-6 الأسماك	250 جراماً	250
	350 جراماً	350
	450 جراماً	450
A-7 المشروبات	كوب (120 مل)	1
	كوبان (240 مل)	2
	3 أكواب (360 مل)	3
A-8 الفشار	350 جراماً	50
	450 جراماً	100

## 9- الطهي السريع

- 1) في وضع الانتظار اضغط على "تشغيل/30+ ثانية/تأكيد" لبدء الطهي بمستوى طاقة 100% لمدة 30 ثانية. ستؤدي كل ضغطة إضافية إلى زيادة وقت الطهي بنحو 30 ثانية. أقصى زمن للطهي هو 95 دقيقة.
  - 2) عند الطهي بوظيفة المايكرويف أو الشواء أو الجمع بينهما (مايكرويف + شواء) أو في وضع التذويب حسب الوقت، اضغط على "تشغيل/30+ ثانية/تأكيد" لزيادة وقت الطهي.
  - 3) في وضع الانتظار، اضغط على " v " لضبط وقت الطهي مع طاقة مايكرويف 100%. ثم اضغط على "تشغيل/30+ ثانية/تأكيد" لبدء الطهي.
- ملاحظة: في وضع القائمة التلقائية والتذويب حسب الوزن، لا يمكن زيادة وقت الطهي من خلال الضغط على "تشغيل/30+ ثانية/تأكيد".

## 10- خاصية القفل لحماية الأطفال

تشغيل القفل: في حالة الانتظار، اضغط على "إيقاف/مسح" لمدة 3 ثوانٍ وسيصدر صوت صفارة طويلة تشير إلى تشغيل وضع قفل الأطفال، وسيظهر التوقيت الحالي في حال ضبط الوقت، وإلا ستعرض الشاشة " : : : ". مصابيح مؤشر القفل.

إلغاء القفل: في وضعية القفل، اضغط على "إيقاف/مسح" لمدة 3 ثوانٍ لتسمع صوت صفارة طويلة تشير إلى فتح القفل.

## 11- خاصية الاستعلام

- 1) في حالة تشغيل وضع المايكرويف والشواء والوضع المزدوج (مايكرويف + شواء)، اضغط على "مايكرو/شواء/كومي"، ستظهر الطاقة الحالية لمدة 3 ثوانٍ.
- 2) في حالة الطهي، اضغط على "مؤقت المطبخ/الساعة" للاستعلام عن الوقت. سيظهر التوقيت لمدة 3 ثوانٍ.

## 12- المواصفات

- 1) يجب الضغط على "تشغيل/30+ ثانية/تأكيد" للاستمرار بالطهي بعد غلق الباب.
- 2) حال ضبط برنامج الطهي، لا يمكن الضغط على "تشغيل/30+ ثانية/تأكيد" خلال دقيقة واحدة. سيظهر الوقت الحالي. سيتم إلغاء الإعداد.
- 3) يصدر الجرس صوتاً لمرة واحدة عند الضغط بشكل جيد، ولن تكون هناك استجابة إذا كان الضغط بشكل غير جيد.

### 3- الطهي بوظيفة الشواء أو الطهي المزدوج (كومبي)

يضم فرن المايكرويف هذا لوحة تحكم إلكترونية بتصميم حديث ومتطور لضبط معايير الطهي، بما يناسب جميع احتياجاتك وضمان أفضل مستوى للطهي.

#### 1- ضبط الساعة

اضغط على "مايكرو/شواء/كومبي"، وسيظهر على الشاشة رمز "P100"، ثم اضغط على "مايكرو/شواء/كومبي" لاختيار الوقت أو اضغط على "∧ أو ∨" لاختيار الطاقة التي تفضلها، ويظهر الرمز "G"، أو "C-1"، أو "C-2". بعدها، اضغط على "تشغيل/30+ ثانية/تأكيد" للتأكيد، واضبط وقت الطهي من 0:05 إلى 95:00. اضغط على "بدء تشغيل/30+ ثانية/تأكيد" لبدء الطهي.

مثال: إذا كنت ترغب في ضبط طاقة المايكرويف على 55% وطاقة الشواء على 45% (C-1) للطهي لمدة 10 دقائق، يمكنك تشغيل الجهاز حسب الخطوات التالية.

1) اضغط على "مايكرو/شواء/كومبي" مرة واحدة، وسيظهر على الشاشة رمز "P100".

2) اضغط على "مايكرو/شواء/كومبي"، إلى أن يظهر على الشاشة رمز "C-1".

3) اضغط على "تشغيل/30+ ثانية/تأكيد" للتأكيد.

4) اضغط على "∧ أو ∨" لضبط وقت الطهي حتى يظهر الفرن الرمز "10:00".

5) اضغط على "تشغيل/30+ ثانية/تأكيد" لبدء الطهي.

البرنامج	شاشة العرض	طاقة المايكرويف	طاقة الشواء
شواء	G	0%	100%
مزدوج (كومبي) 1	C1-	55%	45%
مزدوج (كومبي) 2	C2-	36%	64%

**ملاحظة:** في حال مرور نصف الفترة الزمنية المحددة للشواء، يهتز الجهاز مرتين وهذا أمر عادي. للحصول على نتائج أفضل عند شوي الطعام، يجب تقليب الطعام على الناحية الأخرى ثم غلق الباب والضغط "تشغيل/30+ ثانية/تأكيد" لاستكمال عملية الطهي. إذا لم تقم بهذه العملية فسيستمر الجهاز في العمل.

#### 4- التذويب حسب الوزن

1) اضغط على "التذويب حسب الوزن/الوقت" مرة واحدة، وسيظهر الجهاز الرمز "dEF1".

2) اضغط على "∧ أو ∨" لاختيار وزن الطعام. نطاق الوزن من 100 إلى 2000 جرام.

3) اضغط على "تشغيل/30+ ثانية/تأكيد" لبدء التذويب.

#### 5- التذويب حسب الوقت

1) اضغط على "التذويب حسب الوزن/الوقت" مرتين، وستعرض شاشة الجهاز "dEF2".

2) اضغط على "∧ أو ∨" لاختيار الوقت. أقصى زمن هو 95 دقيقة.

3) اضغط على "تشغيل/30+ ثانية/تأكيد" لبدء التذويب.

#### 6- الطهي متعدد المراحل

يمكن ضبط مرحلتين على الأكثر للطهي. في الطهي المتعدد المراحل، إذا كان التذويب أحد المراحل، سيتم تحديد التذويب في المرحلة الأولى تلقائياً. سيصدر طنين لمرة واحدة بعد كل مرحلة، وتبدأ بعدها المرحلة التالية.

ملاحظة: لا يمكن ضبط القائمة التلقائية كإحدى المراحل المتعددة.

مثال: إذا كنت ترغب في تذويب الثلج عن الطعام لمدة 5 دقائق ثم الطهي بطاقة مايكرويف قدرها 80% لمدة 7 دقائق، قم بتشغيله على النحو التالي:

1) اضغط على "التذويب حسب الوزن/الوقت" مرتين، وستعرض شاشة الجهاز "dEF2".

2) اضغط على "∧ أو ∨" لاختيار وقت التذويب 5 دقائق.

3) اضغط على "مايكرو/شواء/كومبي" مرة واحدة، سيظهر على الشاشة رمز "P100".

4) اضغط على "∧ أو ∨" لاختيار طاقة مايكرويف، إلى أن تعرض الشاشة الرمز "P80".

5) اضغط على "تشغيل/30+ ثانية/تأكيد" للتأكيد، وستعرض الشاشة "P80".

6) اضغط على "∧ أو ∨" لضبط وقت الطهي 7 دقائق.

7) اضغط على "تشغيل/30+ ثانية/تأكيد" لبدء الطهي

#### 7- مؤقت المطبخ

1) اضغط على "مؤقت المطبخ/الساعة" مرة واحدة، وسيظهر على الشاشة 00:00.

2) اضغط على "∧ أو ∨" لإدخال المؤقت الصحيح. (أقصى زمن للطهي هو 95 دقيقة).

3) اضغط على "تشغيل/30+ ثانية/تأكيد" لتأكيد الإعداد، وسيضيء مؤشر المؤقت.

4) عند الوصول إلى توقيت المطبخ، لا يومض مؤشر المؤقت. يصدر الجرس صوتاً خمس مرات.

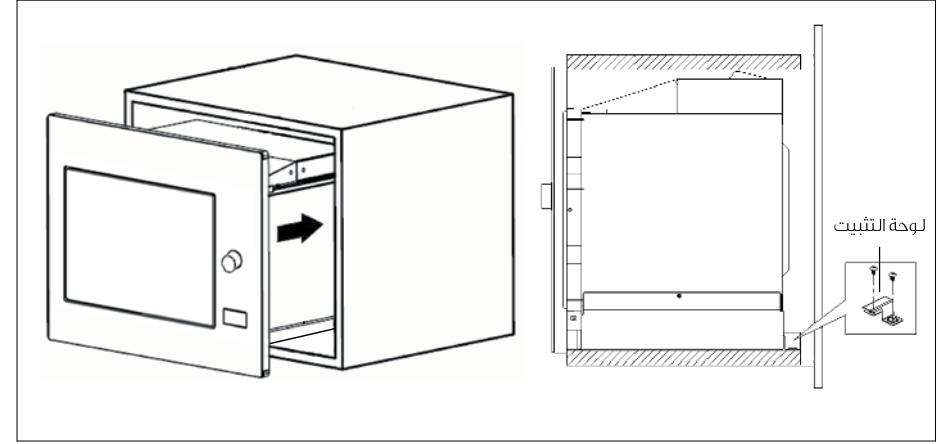
في حال إعداد الساعة (نظام 24)، تعرض الشاشة التوقيت الحالي.

ملاحظة: يختلف وقت المطبخ عن نظام 24 ساعة؛ فمؤقت المطبخ هو مجرد مؤقت

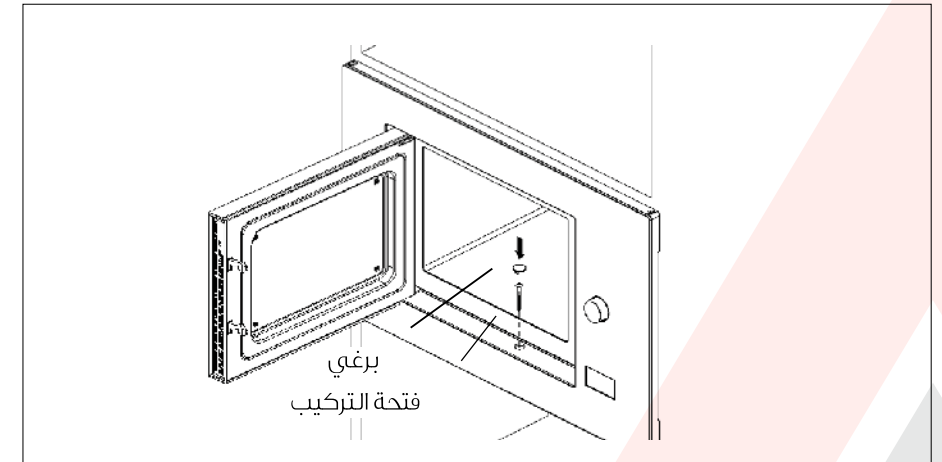
## ج. ركب المايكرويف

4- ثبت المايكرويف في الكابينة

- تأكد من أن ظهر الجهاز مثبت في لوحة تركيب.
- يُحظر تعريض سلك الكهرباء للحشر أو الشد.



5- افتح الباب، ثم ثبت المايكرويف في الكابينة باستخدام برغي عند فتحة التركيب. بعد ذلك، ثبت الغطاء البلاستيكي في فتحة التركيب.



## تعليمات التشغيل

يضم فرن المايكرويف هذا لوحة تحكم إلكترونية بتصميم حديث ومتطور لضبط معايير الطهي، بما يناسب جميع احتياجاتك وضمان أفضل مستوى للطهي.

### 1- ضبط الساعة

- عند توصيل الجهاز بالكهرباء، سيعرض على الشاشة "0:00" وسيصدر الجرس صوتاً مرة واحدة.
- اضغط "مؤقت المطبخ/الساعة" مرتين، وستضيء أرقام الساعة.
- اضغط على "∧ أو √" لضبط أرقام الساعة، ويجب أن يكون إدخال الزمن المرغوب فيه ضمن 0-23.
- اضغط على "مؤقت المطبخ/الساعة"، وستضيء أرقام الدقائق.
- اضغط على "∧ أو √" لضبط أرقام الدقائق، ويجب أن يكون إدخال الزمن ضمن 0-59.
- اضغط على "مؤقت المطبخ/الساعة"، لإنهاء ضبط الساعة، وسيضيء ":", ثم إنهاء ضبط الساعة.

ملاحظة:

- إذا لم يتم إعداد الساعة، فلن تعمل عند توصيلها بالكهرباء.
- أثناء عملية ضبط الساعة، وفي حال الضغط على "إيقاف/مسح"، يعود الجهاز إلى الوضع السابق تلقائياً.

### 1. الطهي بالمايكرويف

- اضغط على "مايكرو/شواء/كوميبي" مرة واحدة، وسيظهر على الشاشة رمز "P100".
- اضغط على "مايكرو/شواء/كوميبي" لاختيار الوقت أو اضغط على "∧ أو √" لاختيار طاقة المايكرويف من 100% إلى 10%. ستظهر على الشاشة بالترتيب "P30"، "P50"، "P80"، "P100".
- اضغط على "تشغيل/30+ ثانية/تأكيد" للتأكيد.
- اضغط على "∧ أو √" لضبط وقت الطهي. (يجب أن يكون إعداد الوقت 0:05-95:00).
- اضغط على "تشغيل/30+ ثانية/تأكيد" لبدء الطهي.

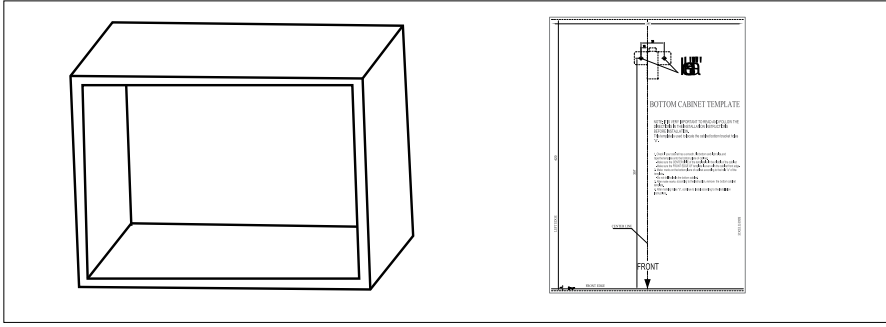
ملاحظة: الإجراءات الكمية لزمن الضبط الخاص بمفتاح الترميز هي على النحو التالي:

- 0-1 دقيقة : 5 ثوان
- 1-5 دقائق : 10 ثوان
- 5-10 دقائق : 30 ثانية
- 10-30 دقيقة : دقيقة واحدة
- 30-95 دقيقة : 5 دقائق

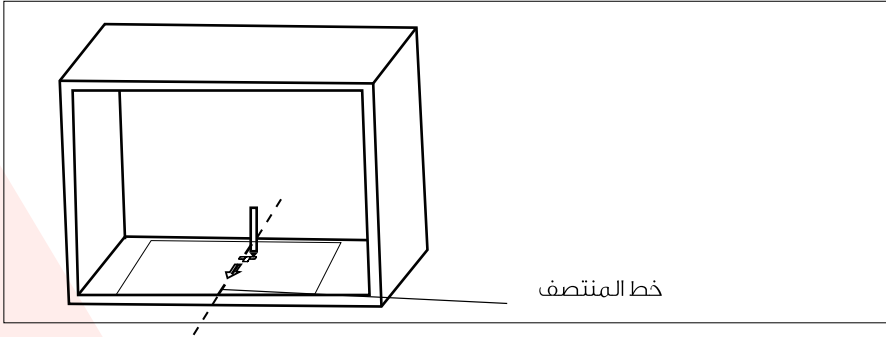
جدول طاقة المايكرويف

طاقة المايكرويف	%100	%80	%50	%30	%10
شاشة العرض	P100	P80	P50	P30	P10

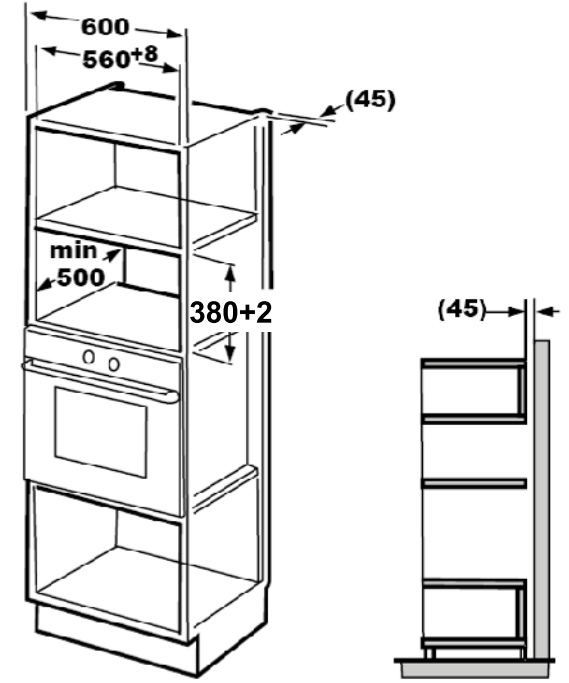
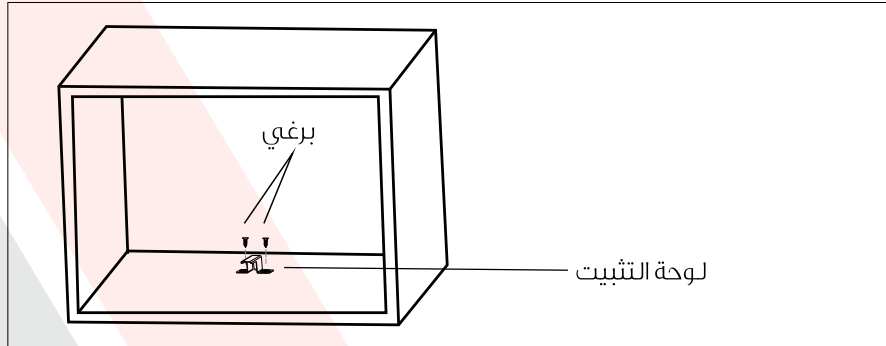
1- يُرجى قراءة التعليمات على نموذج السطح السفلي للحيز، ثم ضع النموذج على السطح السفلي.



2- حدد علامات على اللوح السفلي للكابينة وفقاً للعلامات "أ" الخاصة بالقالب



3- قم بإزالة قالب الكابينة السفلي وثبت لوحة التثبيت برغي.





## التركيب والتوصيل

- 1- هذا الجهاز مُصمم للاستخدام المنزلي فقط.
- 2- هذا الجهاز مُصمم للاستخدام المدمج فقط؛ فهو غير مصمم لوضعه على سطح المنضدة أو وضعه داخل خزانة مغلقة.
- 3- يُرجى مراجعة تعليمات التركيب الخاصة.
- 4- يمكن تركيب الجهاز في خزانة معلقة على الحائط بعرض 60 سم.
- 5- الجهاز مزود بقابس ويجب توصيله بطريقة صحيحة بمقبس تأريض مُثبت.
- 6- يجب أن يتساوى جهد التيار الكهربائي مع جهد التيار الكهربائي الوارد في لوحة التصنيف.
- 7- يجب تركيب المقبس وكابل التوصيل بواسطة فني كهرباء مختص. في حال تعذر الوصول إلى القابس بعد عملية التركيب، يجب توفير مفتاح فصل كلي الأقطاب على جانب التركيب مع ترك مسافة تلامس تبلغ على الأقل 3 ملم.
- 8- يُحظر استخدام المحولات، أو الأشرطة المتعددة الأسلاك، أو مهايغٍ تطويل الوصلة. قد ينتج عن الحمل الزائد خطر حدوث حريق.



قد تكون أسطح الجهاز ساخنة أثناء التشغيل.

## تعليمات التركيب

يُرجى قراءة الدليل بعناية قبل البدء في عمليات التركيب

- يرجى ملاحظة التوصيلات الكهربائية الجهاز مزود بقابس ويجب توصيله بطريقة صحيحة بمقبس تأريض مُثبت. يجب تثبيت المقبس وكابلات التوصيل بواسطة فني مؤهل وفقاً للقواعد الصحيحة. في حال تعذر الوصول إلى القابس بعد عملية التركيب يجب توفير مفتاح فصل كلي الأقطاب على جانب التركيب مع ترك مسافة تلامس تبلغ على الأقل 3 ملم. يجب ألا يكون هناك حائط وراء الكابينة المثبتة. يجب الإبقاء على مسافة بين الحائط وقاعدة الوحدة في الأعلى. يمكن تحديد مسافة معينة باستخدام المخططات. الحد الأدنى لارتفاع التركيب: 85 سم. يُحظر تغطية فتحات التهوية وثقوب التصريف.

### ملاحظة:

يُحظر تعريض كابل الطاقة للحشر أو الثني.

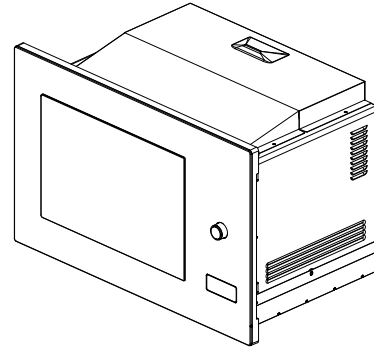
برغي



لوحة التثبيت



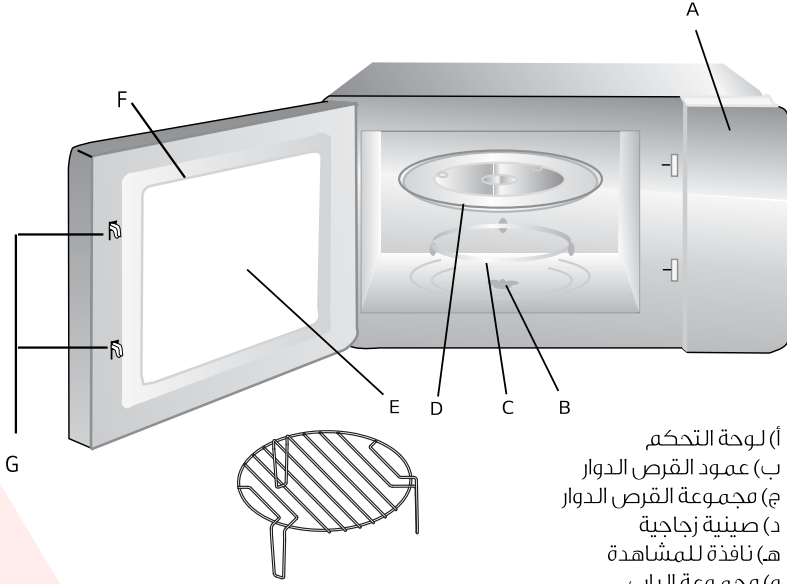
الغطاء البلاستيكي



## تركيب المايكرويف أسماء الأجزاء والملحقات

أخرج الجهاز وجميع المواد الموجودة في العلبة أو داخله. يأتيك الجهاز مع الملحقات التالية:

- 1 صينية زجاجية  
1 مجموعة القرص الدوار  
1 دليل التعليمات

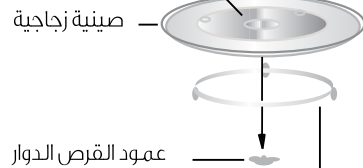


- (أ) لوحة التحكم  
(ب) عمود القرص الدوار  
(ج) مجموعة القرص الدوار  
(د) صينية زجاجية  
(هـ) نافذة للمشاهدة  
(و) مجموعة الباب  
(ز) نظام قفل الأمان

رف الشواء (لا يمكن استخدامه في صينية المايكرويف فقط ويجب وضعه على الصينية الزجاجية).

## تركيب القرص الدوار

(متجه لأسفل المحور)



صينية زجاجية

عمود القرص الدوار

مجموعة القرص الدوار

- أ. لا تضع أبداً الصينية الزجاجية رأساً على عقب. احرص على عدم وجود أي عائق يعيق الصينية الزجاجية.  
ب. يجب استخدام كل من الصينية الزجاجية ومجموعة حلقة القرص الدوار أثناء الطهي.  
ج. يوضع الطعام وأوعية الطعام على الصينية الزجاجية للطهي.  
د. في حال حدوث تشقق أو كسور في الصينية الزجاجية أو مجموعة حلقة القرص الدوار، يُرجى الاتصال بأقرب مركز خدمة معتمد.

## المواد التي يمكن استخدامها في المايكرويف أدوات الطهي ملاحظات

أدوات الطهي	ملاحظات
صحن التحمير	اتبع التعليمات الخاصة بالجهة المُصنعة. يجب أن يكون قاع صحن التحمير فوق القرص الدوار بمقدار 3/16 بوصة (5 ملم) على الأقل. قد يؤدي الاستخدام غير الصحيح إلى كسر القرص الدوار.
أدوات المائدة	الأدوات الآمنة للاستخدام داخل المايكرويف فقط. اتبع التعليمات الخاصة بالجهة المُصنعة. لا تستخدم الأطباق التي بها شروخ أو كسور.
البرطمانات الزجاجية	أزل الغطاء دائماً. استخدمها فقط لتسخين الطعام حتى يصبح دافئاً. لا تمتاز معظم البرطمانات الزجاجية بخاصية مقاومة الحرارة وقد تنكسر.
الأواني الزجاجية	أواني الفرن الزجاجية المقاومة للحرارة فقط. تأكد من عدم وجود أي حلية معدنية. لا تستخدم الأطباق التي بها شروخ أو كسور.
أكياس الطهي الخاصة بالأفران	اتبع التعليمات الخاصة بالجهة المُصنعة. لا تغلقها بريابط معدني. اصنع بعض الفتحات للسماح بخروج البخار.
الأطباق والأكواب الورقية	تُستخدم للطهي لمدة قصيرة/ التدفئة فقط. لا تترك الجهاز دون مراقبة أثناء الطهي.
المناشف الورقية	تُستخدم لتغطية الطعام بغرض إعادة التسخين وامتصاص الدهون. تستخدم -تحت الإشراف- للطهي لمدة زمنية قصيرة فقط.
ورق الطهي	يُستخدم بوصفه غطاءً لمنع النضج أو لفاقة للتبخير.
البلاستيك	الأدوات الآمنة للاستخدام داخل المايكرويف فقط. اتبع التعليمات الخاصة بالجهة المُصنعة. يجب أن توضع عليها لاصقة "الاستخدام الآمن داخل المايكرويف". قد تصيح بعض الأوعية البلاستيكية ليينة أثناء تسخين الطعام داخلها. يجب ثقب أو تهوية أو شق "أكياس الغليان" والأكياس البلاستيكية المُحكمة الغلق وفقاً للتعليمات الموجودة على العبوة.
الأغلفة البلاستيكية	الأدوات الآمنة للاستخدام داخل المايكرويف فقط. تستخدم لتغطية الطعام أثناء الطهي للاحتفاظ برطوبته. لا تسمح للغلاف البلاستيكي بلمس الطعام.
الترموترات	الترموترات ذات خاصية الاستخدام الآمن داخل المايكرويف فقط (ترموترات قياس درجة حرارة اللحم والحلوى).
ورق الشمع	يستخدم غطاءً لمنع النضج والاحتفاظ بالرطوبة.

## المواد التي يجب تجنب استخدامها في المايكرويف أدوات الطهي ملاحظات

صواني الألومنيوم	قد تسبب تقوساً كهربائياً. انقل الأطعمة إلى أطباق آمنة للاستخدام في المايكرويف.
علب الطعام الكرتونية المزودة بمقبض معدني	قد تسبب تقوساً كهربائياً. انقل الأطعمة إلى أطباق آمنة للاستخدام في المايكرويف.
أدوات الطهي المعدنية أو المزينة بجلي معدنية	تجنب المعادن طاقة المايكرويف من الوصول إلى الطعام. قد تؤدي الجلي إلى حدوث تقوس كهربائي.
الأربطة المتحركة المعدنية	قد تسبب القوس الكهربائي والاشتعال داخل الجهاز.
الأكياس الورقية	قد تسبب اشتعالاً داخل الجهاز.
أواني الفوم البلاستيكية	يمكن أن يذوب الفوم البلاستيكي أو يُلوّث السائل الموجود في الداخل بسبب الحرارة العالية.
الخشب	سيحرق الخشب عند استخدامه داخل المايكرويف، وقد يتشقق أو ينكسر.

## تقليل مخاطر الإصابة للأشخاص التركيب والتأريض

### خطر

خطر الصعق الكهربائي: يمكن أن يؤدي لمس الأجزاء الداخلية إلى إصابة الأشخاص إصابة خطيرة أو الوفاة. يُحظر تفكيك هذا الجهاز

### تحذير

خطر الصعق الكهربائي: يمكن أن يؤدي الاستخدام غير الصحيح للتأريض إلى التعرض لصعق كهربائي. يُحظر وضع القابض في منفذ التيار حتى يُركب الجهاز ويُؤرض بشكل صحيح.

يجب تأريض هذا الجهاز. في حال حدوث تماس كهربائي يقلل التأريض من خطورة التعرض لصعق كهربائي؛ لأنه يوفر سلكاً إضافياً يسمح بتهريب التيار الكهربائي الزائد. هذا الجهاز مزود بكابل به سلك تأريض ومعه قابس تأريض. يجب توصيل القابض بمنفذ تيار مُركب ومُؤرض بشكل صحيح.

استشر فني الكهرباء أو فني الصيانة المختص إذا كانت تعليمات التأريض غير مفهومة بالكامل، أو إذا كان هناك شك في كون الجهاز مؤرضاً بشكل صحيح. إذا كان من الضروري استخدام كابل توصيل فاستخدم كابل توصيل ثلاثي الأسلاك فقط.

1. يتوفر مع الجهاز سلك قصير للإمداد بالطاقة؛ للحد من المخاطر الناتجة عن تشابك الأسلاك أو التعثر بسبب طول السلك.
2. في حال استخدام مجموعة أسلاك طويلة أو كابل توصيل طويل:

- (1) يجب أن يكون التصنيف المحدد لكابل التوصيل أعلى من التصنيف الكهربائي للجهاز على الأقل.
- (2) يجب أن يكون كابل التوصيل من نوع التأريض المزود بثلاثة أسلاك.
- (3) يجب ترتيب السلك الطويل بحيث لا يتدلى من الكاونتر أو الطاولة؛ كيلا يجذبه الأطفال أو يتعثر به أحد دون قصد.

## التنظيف

- 1- تأكد من فصل قابس الجهاز من مصدر الطاقة الكهربائية.
- 2- نظّف الجزء الداخلي للمايكرويف بعد الاستخدام بواسطة قطعة قماش مبللة قليلاً.
- 3- نظّف الملحقات بالطريقة المعتادة وبالماء والصابون.
- 3- يجب تنظيف إطار الباب، ومانع التسرب، والأجزاء المجاورة جيداً عند اتساخها باستخدام قطعة قماش مبللة.
- 4- لا تستخدم أدوات تنظيف خشنة أو أدوات كشط معدنية حادة لتنظيف زجاج الباب؛ لأنها قد تخدش السطح، مما قد ينتج عنه تهشم الزجاج.
- 5- نصيحة للتنظيف: لتسهيل تنظيف جوانب الجزء الداخلي التي قد تلامس الطعام المطهو: ضع نصف ليمونة في وعاء وأضف إليها 300 مل (1/2 باينت) من الماء ثم سخنه لمدة 10 دقائق بطاقة مايكرويف 100%. امسح الجهاز بلطف باستخدام قطعة قماش ناعمة وجافة.

## أدوات الطهي

### تنبيه

### خطر إصابة شخصية

يمثل القيام بأي عمليات صيانة أو إصلاح تشمل إزالة الغطاء الذي يحمي من التعرض لطاقة المايكرويف مصدر خطورة على أي شخص بخلاف المختص.

انظر التعليمات الخاصة "بالمواد التي يمكن استخدامها في أجهزة المايكرويف والمواد التي يجب تجنب استخدامها". قد تكون هناك أدوات طهي غير معدنية غير آمنة للاستخدام في المايكرويف. إذا انتابك شك يمكنك اختبار هذه الأدوات باتباع الخطوات التالية:

### اختبار أدوات الطهي:

- 1- املا وعاء آمناً مناسباً للاستخدام في المايكرويف بكوب واحد من الماء البارد (250 مل) وضع معه أداة الطهي المراد اختبارها.
- 2- اضبط مستوى الطهي على الحد الأقصى لمدة دقيقة واحدة.
- 3- استشر أداة الطهي. إذا وجدت أداة الطهي الفارغة دافئة فلا تستخدمها للطهي داخل المايكرويف.
- 4- لا تجعل زمن الطهي يتجاوز دقيقة واحدة.

## تعليمات مهمة للسلامة تحذير

للحد من مخاطر الحريق، أو الصعق الكهربائي، أو إصابة الأشخاص، أو التعرض لطاقة المايكرويف المُفرطة عند استخدام الجهاز الخاص بك، اتبع الاحتياطات الأساسية بما في ذلك ما يلي:

- 1- اقرأ واتبع: "الاحتياطات المحددة لتجنب احتمال التعرض لطاقة المايكرويف المفرطة".
- 2- يمكن للأطفال الذين يبلغون 8 أعوام أو أكثر، وكذلك الأشخاص الذين يعانون اضطرابات في القدرات البدنية أو الحسية أو العقلية، أو الأشخاص الذين تنقصهم الخبرة والمعرفة باستخدام هذا الجهاز بشرط أن يكون ذلك تحت الإشراف المباشر أو من خلال إعطائهم التعليمات المتعلقة باستخدام الجهاز بطريقة آمنة وتوضيح المخاطر التي ينطوي عليها استخدامه. لا يُسمح للأطفال بالعبث بالجهاز أو إجراء عمليتي التنظيف والصيانة دون إشراف. لا يُسمح للأطفال بالعبث بالجهاز، أو إجراء عمليتي التنظيف والصيانة دون إشراف ينبغي إبعاد الأطفال الذين تقل أعمارهم عن 8 أعوام إذا لم يتوفر الإشراف المستمر عليهم.
- 3- احتفظ بالجهاز والأسلاك الخاصة به بعيداً عن متناول الأطفال الذين تقل أعمارهم عن 8 أعوام.
- 4- في حال تلف سلك الكهرباء يجب استبداله عن طريق الجهة المُصنعة، أو وكيل الخدمات التابع لها، أو أشخاص مؤهلين بمستوى الكفاءة نفسه؛ وذلك لتجنب حدوث أي مخاطر. (التوصيلة بشكل Y).
- 5- تحذير: تأكد من إيقاف تشغيل المايكرويف قبل استبدال المصباح؛ لتجنب احتمال التعرض للصعق الكهربائي.
- 6- تحذير: يمثل القيام بأي عمليات صيانة أو إصلاح تشمل إزالة الغطاء الذي يحمي من التعرض لطاقة المايكرويف مصدر خطورة على أي شخص بخلاف المختص.
- 7- تحذير: يُحظر تسخين السوائل والأطعمة الأخرى في أوعية مُحكمة الغلق؛ لأنها تكون عرضة للانفجار.
- 8- عند تسخين الطعام في أوعية بلاستيكية أو ورقية انتبه للجهاز تحسباً لاحتمال اشتعالها.
- 9- استخدم أدوات وأواني الطهي المناسبة لأفران المايكرويف فقط.
- 10- إذا لاحظت انبعاث دخان، أو وقف تشغيل الجهاز أو انزع القابض واترك الباب مغلقاً لإخماد أي ألسنة لهب.
- 11- قد يؤدي تسخين المشروبات في المايكرويف إلى تأخر الغليان؛ لذا يُرجى توخي الحذر عند إمساك الوعاء.
- 12- يجب تقليص محتويات زجاجات الإرضاع وأواني طعام الأطفال أو رُجها والتحقق من درجة حرارتها قبل استهلاكها؛ لتجنب الإصابة بحروق.
- 13- يجب عدم تسخين البيض غير المقشر أو البيض المسلوق في أفران المايكرويف؛ فقد ينفجر حتى بعد الانتهاء من التسخين.
- 14- يجب تنظيف الجهاز بانتظام وإزالة أي بقايا طعام.
- 15- قد يؤدي الإخفاق في الحفاظ على نظافة الجهاز إلى تلف السطح، مما قد يؤثر سلباً في عمر الجهاز واحتمالية التعرض لمواقف خطيرة.

- 16- لا تستخدم إلا مقياس الحرارة الموصى به لهذا الجهاز (وذلك بالنسبة لأجهزة المايكرويف المزودة بإمكانية استخدام مقياس استشعار درجة الحرارة).
- 17- يجب تشغيل المايكرويف والباب المزخرف الديكوري (بالنسبة لأجهزة المايكرويف التي تحتوي على باب ديكوري).
- 18- هذا الجهاز مصمم للاستخدام في الأغراض المنزلية والأغراض المماثلة، مثل:
  - أماكن إعداد الطعام في المحلات، والمكاتب، وأماكن العمل الأخرى.
  - من قبل العملاء في الفنادق، والنزل، وأماكن الإقامة الأخرى.
  - البيوت الزراعية.
  - الأماكن التي تكفل المبيت والإفطار.
- 19- هذا الجهاز مصمم للاستخدام لتسخين الأطعمة والمشروبات، وقد ينتج عن استخدامه لتجفيف الطعام أو الملابس، أو تسخين وسائل التدفئة أو النعال أو الإسفنجيات أو الأقمشة المبللة، وما شابه ذلك خطر التعرض للإصابة أو حدوث اشتعال أو حريق.
- 20- لا يُسمح بالطهي باستخدام الأوعية المطلية بطبقة طلاء معدني والخاصة بالأطعمة والمشروبات.
- 21- يُحظر تنظيف الجهاز بالبخار.
- 22- يجب الانتباه وعدم نزع القرص الدوار أثناء إخراج الأوعية من الجهاز. (لأجهزة المايكرويف الثابتة أو المدمجة الموضوعة على بعد 900 مم أو أكثر عن سطح الأرض والمزودة بأقراص دوارة قابلة للنزح، لكن ينطبق ذلك على أجهزة المايكرويف المزودة بأبواب ذات مفصلات أفقية).
- 23- هذا المايكرويف معد للاستخدام المدمج.
- 24- يُحظر استخدام جهاز التنظيف بالبخار.
- 25- قد يكون سطح درج التخزين ساخناً.
- 26- تحذير: إذا زادت درجة حرارة الجهاز والأجزاء التي يمكن ملامستها أثناء الاستخدام يجب توخي الحذر؛ لتجنب لمس عناصر التسخين. ينبغي إبعاد الأطفال الذين تقل أعمارهم عن 8 أعوام إذا لم يتوفر الإشراف المستمر عليهم.
- 27- يصبح الجهاز ساخناً أثناء الاستخدام. يجب توخي الحذر؛ لتجنب لمس عناصر التسخين الموجودة داخل الجهاز.
- 28- تحذير: يمكن أن تصبح الأجزاء التي يمكن ملامستها ساخنة أثناء الاستخدام؛ لذا يجب إبعاد الأطفال.
- 29- يُحظر تركيب المايكرويف داخل حيز مغلق ذي باب؛ لتجنب ارتفاع درجة حرارته. (لا ينطبق ذلك على الأجهزة المزودة بباب ديكوري ذاتياً).
- 30- تحذير: عند تشغيل الجهاز بالوضع المزدوج (مايكرويف + شواء)، لا يُسمح للأطفال باستخدام الجهاز إلا تحت إشراف البالغين؛ نظراً لارتفاع الحرارة الناتجة.
- 31- لا تستخدم أدوات تنظيف خشنة أو أدوات كشط معدنية حادة لتنظيف زجاج الباب؛ لأنها قد تخدش السطح، مما قد ينتج عنه تهشم الزجاج.

اقرأ هذه التعليمات بعناية واحتفظ بها للرجوع إليها لاحقاً

## احتياطات لتجنب احتمال التعرض للموجات المفرطة من المايكرويف

- (أ) لا تحاول تشغيل هذا الجهاز وبابه مفتوح؛ لأن هذا قد يؤدي إلى التعرض لأضرار طاقة المايكرويف. من المهم عدم كسر أقفال الأمان أو العبث بها.
- (ب) لا تضع أي جسم بين الواجهة الأمامية للمايكرويف والباب ولا تسمح بتراكم بقايا الأتربة ومواد التنظيف على موانع التسرب.
- (ج) تحذير: في حال تلف الباب أو موانع التسرب الخاصة بالباب، يُحظر تشغيل الجهاز إلى أن يتم إصلاحه من قبل فني مختص.

## ملاحظة إضافية

عدم المحافظة على نظافة الجهاز قد يتسبب في تلف سطحه، مما يؤثر سلباً في عمر الجهاز واحتمالية التعرض لمواقف خطيرة.

## المواصفات

الطراز: BMWHA-25GMR5	
الجهد المقنن:	230 فولت - 50 هرتز
طاقة الدخل المقننة (المايكرويف):	1450 واط
طاقة الخرج المقننة (المايكرويف):	900 واط
دخل الطاقة المُقدَّر (الشواء):	1000 واط
السعة:	25 لتر
قُطر القرص الدوار:	315Ø ملم
الأبعاد الخارجية:	595x401x388 ملم
الوزن الصافي:	19.5 كجم تقريباً



الطراز: BMWHA-25GMR5