



جهاز تبريد عمودي

Floor Standing Type AIR CONDITIONERS

دليل المستخدم

User's Manual

الموديل:

- FHA-H28R410INV3 ▲
- FHA-H36R410INV3 ▲

Models:

- FHA-H28R410INV3 ▲
- FHA-H36R410INV3 ▲

الرجاء قراءة هذا الدليل بعناية قبل تشغيل الجهاز،
و احتفظ به للرجوع إليه مستقبلا.

هذه التصاميم و المواصفات عرضة للتغيير بهدف إدخال تحسينات عليها
و ذلك دون إشعار مسبق.

Please read this manual carefully before operating your set.
Retain it for future reference.

Designs and specifications are subject to change for improvement
without prior notice.

ISO9001 CB

ISO9001 CB



SAFETY PRECAUTIONS	1
NAMES OF PARTS	4
INDOOR UNIT DISPLAY	5
INDOOR UNIT CONTROL PANEL	7
REMOTE CONTROLLER	8
OPERATING INSTRUCTIONS	12
PROTECTION	18
INSTALLATION MANUAL	19
MAINTENANCE	28
TROUBLESHOOTING	29

In line with the company's policy of continual product improvement, the aesthetic and dimensional characteristics, technical data and accessories of this appliance may be changed without notice.

- ⚠ **R**ead this guide before installing and using the appliance.
- ⚠ **D**uring the installation of the indoor and outdoor units the access to the working area should be forbidden to children. Unforeseeable accidents could happen.
- ⚠ **M**ake sure that the base of the outdoor unit is firmly fixed.
- ⚠ **C**heck that air cannot enter the refrigerant system and check for refrigerant leaks when moving the air conditioner.
- ⚠ **C**arry out a test cycle after installing the air conditioner and record the operating data.
- ⚠ **T**he ratings of the fuse installed in the built-in control unit are T 5A / 250V .
- ⚠ **T**he user must protect the indoor unit with a fuse of suitable capacity for the maximum input current or with another overload protection device.
- ⚠ **E**nsure that the mains voltage corresponds to that stamped on the rating plate . Keep the switch or power plug clean. Insert the power plug correctly and firmly into the socket, thereby avoiding the risk of electric shock or fire due to insufficient contact.
- ⚠ **C**heck that the socket is suitable for the plug, otherwise have the socket changed.
- ⚠ **T**he appliance must be fitted with means for disconnection from the supply mains having a contact separation in all poles that provide full disconnection under overvoltage category III conditions, and these means must be incorporated in the fixed wiring in accordance with the wiring rules.
- ⚠ **T**he air conditioner must be installed by professional or qualified persons.
- ⚠ **D**o not install the appliance at a distance of less than 50 cm from inflammable substances (alcohol, etc.) Or from pressurised containers (e.g. spray cans).
- ⚠ **I**f the appliance is used in areas without the possibility of ventilation, precautions must be taken to prevent any leaks of refrigerant gas from remaining in the environment and creating a danger of fire
- ⚠ **T**he packaging materials are recyclable and should be disposed of in the separate waste bins .Take the air conditioner at the end of its useful life to a special waste collection centre for disposal.
- ⚠ **O**nly use the air conditioner as instructed in this booklet . These instructions are not intended to cover every possible condition and situation . As with any electrical household appliance , common sense and caution are therefore always recommended for installation, operation and maintenance.
- ⚠ **T**he appliance must be installed in accordance with applicable national regulations.
- ⚠ **B**efore accessing the terminals , all the power circuits must be disconnected from the power supply.
- ⚠ **T**he appliance shall be installed in accordance with national wiring regulations.
- ⚠ **T**his appliance can be used by children aged from 8 years and above and persons with reduced physical, sensory or mental capabilities or lack of experience and knowledge if they have been given supervision or instruction concerning use of the appliance in a safe way and understand the hazards involved. Children shall not play with the appliance. Cleaning and user maintenance shall not be made by children without supervision.

Safety Rules and Recommendations for the User

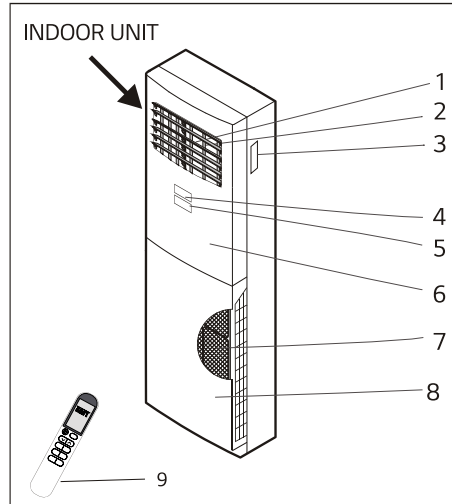
- ⚠ Do not try to install the conditioner alone; always contact specialized technical personnel.
- ⚠ Cleaning and maintenance must be carried out by specialised technical personnel. In any case disconnect the appliance from the mains electricity supply before carrying out any cleaning or maintenance.
- ⚠ Ensure that the mains voltage corresponds to that stamped on the rating plate. Keep the switch or power plug clean. Insert the power plug correctly and firmly into the socket, thereby avoiding the risk of electric shock or fire due to insufficient contact.
- ⚠ Do not pull out the plug to switch off the appliance when it is in operation, since this could create a spark and cause a fire, etc.
- ⚠ This appliance has been made for air conditioning domestic environments and must not be used for any other purpose, such as for drying clothes, cooling food, etc.
- ⚠ The packaging materials are recyclable and should be disposed of in the separate waste bins. Take the air conditioner at the end of its useful life to a special waste collection centre for disposal.
- ⚠ Always use the appliance with the air filter mounted. The use of the conditioner without air filter could cause an excessive accumulation of dust or waste on the inner parts of the device with possible subsequent failures.
- ⚠ The user is responsible for having the appliance installed by a qualified technician, who must check that it is earthed in accordance with current legislation and insert a thermomagnetic circuit breaker.
- ⚠ The batteries in remote controller must be recycled or disposed of properly. Disposal of Scrap Batteries --- Please discard the batteries as sorted municipal waste at the accessible collection point.
- ⚠ Never remain directly exposed to the flow of cold air for a long time. The direct and prolonged exposition to cold air could be dangerous for your health. Particular care should be taken in the rooms where there are children, old or sick people.
- ⚠ If the appliance gives off smoke or there is a smell of burning, immediately cut off the power supply and contact the Service Centre.
- ⚠ The prolonged use of the device in such conditions could cause fire or electrocution.
- ⚠ Have repairs carried out only by an authorised Service Centre of the manufacturer. Incorrect repair could expose the user to the risk of electric shock, etc.
- ⚠ Unhook the automatic switch if you foresee not to use the device for a long time. The airflow direction must be properly adjusted.
- ⚠ The flaps must be directed downwards in the heating mode and upwards in the cooling mode.
- ⚠ Only use the air conditioner as instructed in this booklet. These instructions are not intended to cover every possible condition and situation. As with any electrical household appliance, common sense and caution are therefore always recommended for installation, operation and maintenance.
- ⚠ Ensure that the appliance is disconnected from the power supply when it will remain inoperative for a long period and before carrying out any cleaning or maintenance.
- ⚠ Selecting the most suitable temperature can prevent damage to the appliance.

Safety Rules and Prohibitions

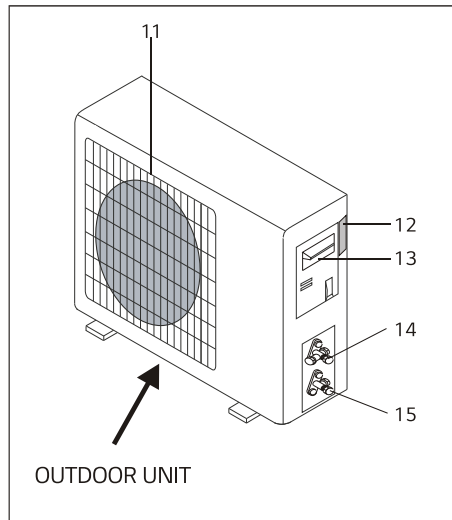
- ⊘ Do not bend, tug or compress the power cord since this could damage it. Electrical shocks or fire are probably due to a damaged power cord. Specialised technical personnel only must replace a damaged power cord.
- ⊘ Do not use extensions or gang modules.
- ⊘ Do not touch the appliance when barefoot or parts of the body are wet or damp.
- ⊘ Do not obstruct the air inlet or outlet of the indoor or the outdoor unit. The obstruction of these openings causes a reduction in the operative efficiency of the conditioner with possible consequent failures or damages.
- ⊘ In no way alter the characteristics of the appliance.
- ⊘ Do not install the appliance in environments where the air could contain gas, oil or sulphur or near sources of heat.
- ⊘ This appliance is not intended for use by persons (including children) with reduced physical, sensory or mental capabilities, or lack of experience and knowledge, unless they have been given supervision or instruction concerning use of the appliance by a person responsible for their safety.
- ⊘ Do not climb onto or place any heavy or hot objects on top of the appliance.
- ⊘ Do not leave windows or doors open for long when the air conditioner is operating.
- ⊘ Do not direct the airflow onto plants or animals.
- ⊘ A long direct exposition to the flow of cold air of the conditioner could have negative effects on plants and animals.
- ⊘ Do not put the conditioner in contact with water. The electrical insulation could be damaged and thus causing electrocution.
- ⊘ Do not climb onto or place any objects on the outdoor unit.
- ⊘ Never insert a stick or similar object into the appliance. It could cause injury.
- ⊘ Children should be supervised to ensure that they do not play with the appliance. If the supply cord is damaged, it must be replaced by the manufacturer, its service agent or similarly qualified persons in order to avoid a hazard.

Names of the Parts

INDOOR UNIT	
No.	Description
1	Airflow direction flaps
2	Deflectors
3	Indoor unit rating label
4	LED Display
5	Touch panel
6	Front panel
7	Air filter
8	Front panel
9	Remote controller

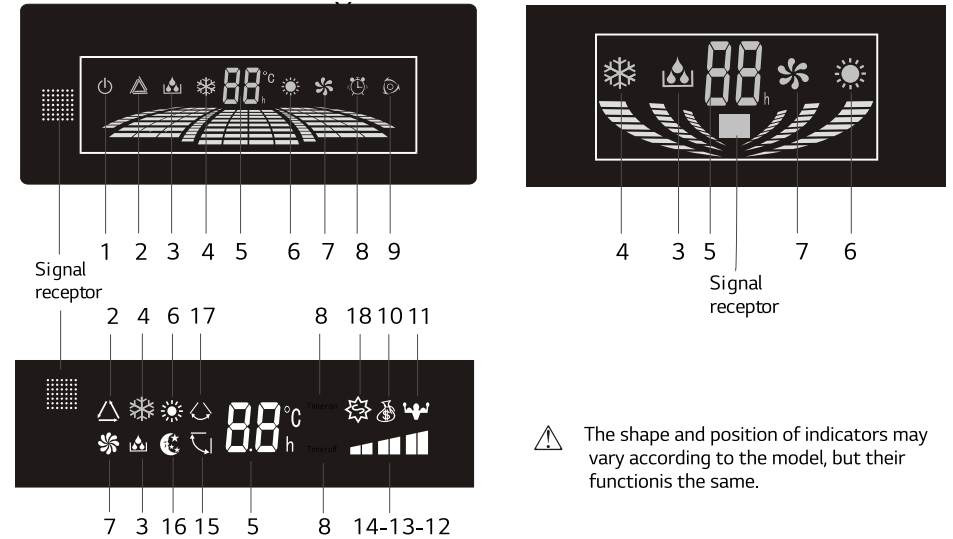


OUTDOOR UNIT	
No.	Description
11	Air outlet grille
12	Outdoor unit rating label
13	Terminal block cover
14	Gas valve
15	liquid valve



Note: the above figures are only intended to be a simple diagram of the appliance and may not correspond to the appearance of the units that have been purchased.

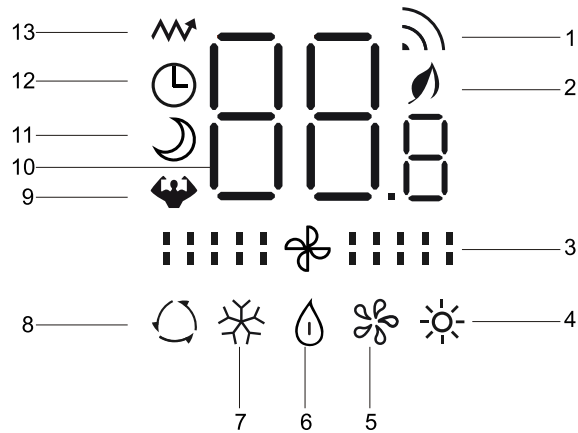
Indoor Unit Display



⚠ The shape and position of indicators may vary according to the model, but their functions are the same.

No.	Led	Function
1	⏻	Shows that the unit is powered
2	⚠	FEEL mode indicator
3	💧	DEHUMIDIFYING indicator
4	❄	COOLING indicator
5	88°C	Indicates the set temperature in°C or °F or time in Hour
6	☀	HEATING indicator, flashes in defrost circle and Anti-Cold Air function,
7	✳	FAN ONLY OPERATION indicator
8	🕒	TIMER mode
9	👤	HEALTHY indicator
10	🌱	ECO indicator
11	👤	SUPER indicator
12	📊	HIGH FAN SPEED indicator
13	📊	MIDDLE FAN SPEED indicator
14	■	LOW FAN SPEED indicator
15	↺	“FLAP ” SWING indicator
16	🌙	SLEEP indicator
17	↻	DEFLECTORS SWING indicator
18	☀	ANTI-MILDEW indicator

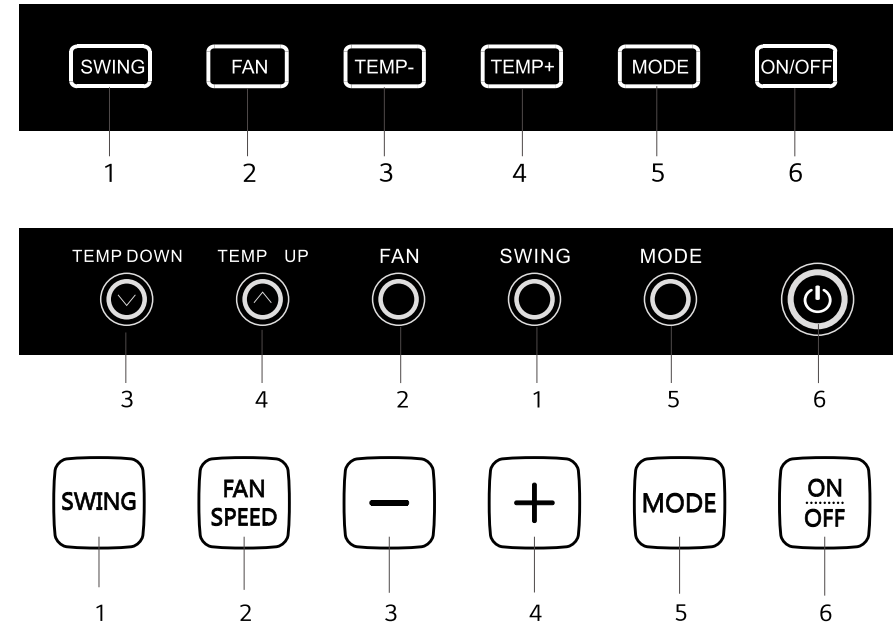
Indoor Unit Display



⚠ The shape and position of indicators may vary according to the model, but their function is the same.

No.	Led	Function
1	WiFi icon	WiFi indicator
2	Leaf icon	HEALTHY indicator
3	Fan speed icon	FAN SPEED indicator
4	Sun icon	HEATING indicator, flashes in defrost circle and Anti-Cold Air function
5	Fan icon	FAN ONLY OPERATION indicator
6	Water drop icon	DEHUMIDIFYING indicator
7	Snowflake icon	COOLING indicator
8	Circle with arrow icon	FEEL mode indicator
9	Turbo icon	TURBO indicator
10	88.8 display	Indicates the set temperature in °C or ° For time in Hour
11	Moon icon	SLEEP indicator
12	Clock icon	TIMER indicator
13	Wavy lines icon	Electric heater indicator (need to reserve)

Indoor Unit Control Panel



No.	Button	Function
1	SWING	To activate or deactivate of the movement of the "Flaps" and deflectors.
2	FAN	To select the fan speed of auto/low/mid/high
3	TEMP-	Decrease the temperature or time by 1 unit
4	TEMP+	Increase the temperature or time by 1 unit
5	MODE	To select the mode of operation
6	ON/OFF	To switch the conditioner on and off.
7	COMPOSITE BUTTON	Keep pressing the SWING button on the control panel for 3 seconds (two beeps), then press the button "TEMP UP" activates the "flaps" the air flow is directed from up to down and press the button "TEMP DOWN" activates the "deflectors" the air flow is directed from rightward or leftward.

⚠ The shape and position of the button may be different according to the model, but their function is the same.

Remark: the external static pressure of heat pumps is 0 Pa for all models.

Remote Controller

No.	Button	Function
1		To turn on or off the air conditioner .
2	OPTION	To activate or deactivate optional function(Check below table).
3	↓	To decrease temperature, time setting or choose the function.
4	↑	To increase temperature , time setting or choose the function.
5	GEN	To activate/deactivate the GEN function which enables the unit run in the set current level,cycle as below OFF → L3 → L2 → L1 ”
	ECO	Press this button to activate/deactivate the ECO function .
6	TURBO	Press this button to activate/deactivate the Super function which enables the unit to reach the preset temperature in the shortest time.
7	MODE	To select the mode of operation(AUTO COOL DR Y FAN HEA T)
8	FAN	To select the fan speed of auto/mute/low/mid-low/mid/mid-high/high/ turbo , cycle as below.
9		To activate the swing of horizontal flap(up/down) or deactivate it.
10		To activate the swing of vertical flap(left/right) or deactivate it.

ON /OFF	Mode	OPTIONS
ON	AUTO	TIMER DISPLAY HEALTH IFEEL 8°C H
	COOL	TIMER DISPLAY HEALTH SLE EP MILDEW I FEEL 8°C H
	DRY	TIMER DISPLAY HEALTH MILDEW I FEEL 8°C H
	FAN	TIMER DISPLAY HEALTH I FEEL 8°C H
	HEAT	TIMER DISPLAY HEALTH SLEEP I FEEL 8°C H
OFF	AUTO	CLEA N TIMER DISPLAY HEALTH I FEEL 8°C H
	COOL	CLEA N TIMER DISPLAY HEALTH SLEEP MILDEW I FEEL 8°C H
	DRY	CLEA N TIMER DISPLAY HEALTH MILDEW I FEEL 8°C H
	FAN	CLEA N TIMER DISPLAY HEALTH I FEEL 8°C H
	HEAT	CLEA N TIMER DISPLAY HEALTH SLEEP I FEEL 8°C H

⚠ You will hear a beep when you press the following buttons or select the following optional functions, though the actual model haven't this function, we express our apologies:

(Optional Function: COMFORTABLE COOLING airflow)

HEALTH (Optional Function: generate the ionizer)

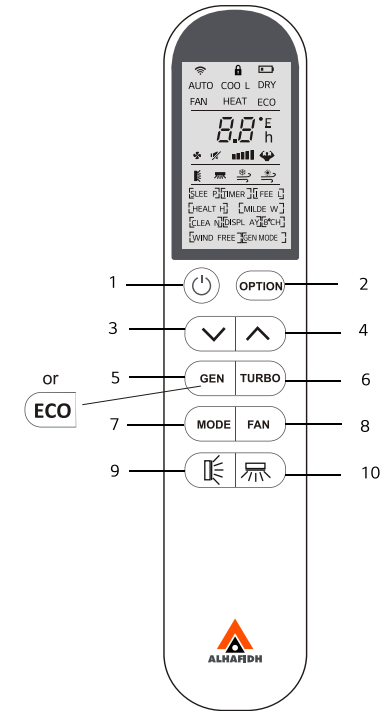
(Optional Function: COMFORTABLE HEATING airflow)

(button: SWING LEFT/RIGHT)

(Optional Function: 8°C Heating)

(Optional Function: Wide-angle air supply)

Remote Controller



⚠ You will hear a beep when you press the following buttons or select the following optional functions, though the actual model haven't this function, we express our apologies:

(Optional Function: COMFORTABLE COOLING airflow)

HEALTH (Optional Function: generate the ionizer)

(Optional Function: COMFORTABLE HEATING airflow)

(button: SWING LEFT/RIGHT)

(Optional Function: 8°C Heating)

(Optional Function: Wide-angle air supply)

Remote Controller

Remote controller DISPLAY

Meaning of symbols on the liquid crystal display

No.	Symbols	Meaning
1		Single indicator
2		Child Lock function indicator
3		Battery indicator
4	AUTO	Mode Auto function indicator
5	COOL	Mode Cooling indicator
6	DRY	Mode Dry indicator
7	FAN	Mode Fan indicator
8	HEAT	Mode Heating indicator
9	ECO	ECO function indicator
10	GEN	GEN function indicator
11	23h [TIMER]	Timer indicator
12	28°C	Temperature indicator
13		Fan speed indicator: Auto/low/mid-low/mid/mid-high/high
14		Mute indicator
15		SUPER indicator
16		Flap swing angle indicator
17		Deflector swing angle indicator
18		Comfortable cooling airflow indicator
19		Comfortable heating airflow indicator
20	[SLEEP] [TIMER] [FEEL] [HEALTH] [MILDEW] [CLEAN] [DISPLAY] [8°C] [WIND FREE] [GEN MODE]	Optional functions indicator

⚠ You will hear a beep when you press the following buttons or select the following optional functions, though the actual model haven't this function, we express our apologies:

(Optional Function: COMFORTABLE COOLING airflow)

(Optional Function: COMFORTABLE HEATING airflow)

[8°C H] (Optional Function: 8°C Heating)

HEALTH (Optional Function: generate the ionizer)

(button: SWING LEFT/RIGHT)

(Optional Function: Wide-angle air supply)

Remote Controller

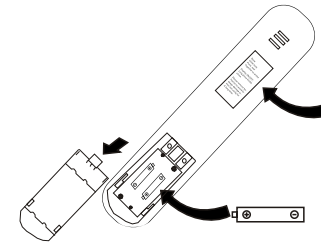
Replacement of Batteries

Remove the battery cover plate from the rear of the remote controller, by sliding it in the direction of the arrow.

Install the batteries according the direction (+ and -) shown on the Remote Controller.

Reinstall the battery cover by sliding it into place.

⚠ Use 2 LRO 3 AAA (1.5V) batteries. Do not use rechargeable batteries. Replace the old batteries with new ones of the same type when the display is no longer legible.
Do not dispose batteries as unsorted municipal waste. Collection of such waste separately for special treatment is necessary.



Note
Child-lock: Press \vee and \wedge together to active.

Display ON/OFF:
Long press ECO button.

Please remove batteries to avoid leakage damage when not using for a long time.

⚠ When you insert the batteries for the first time in the remote controller or if you change them, you can program the remote controller of only cooling or cooling and heating.

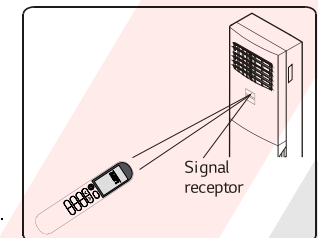
1. Long press MODE button over 5s to get into the change mode within 3minutes;
2. Press MODE button to change COOL or HEAT.

NOTE: If you adjust the remote controller in cooling mode, it will not be possible to activate the heating function in units with heating pump. you need to take out the batteries and repeat the procedure described above.

⚠ When you insert the batteries for the first time in the remote controller or if you change them, you can program the temperature display switchover function between °C and °F.

1. Long press TURBO button over 5s to get into the change mode within 3minutes;
2. Press TURBO button to change °C and °F.

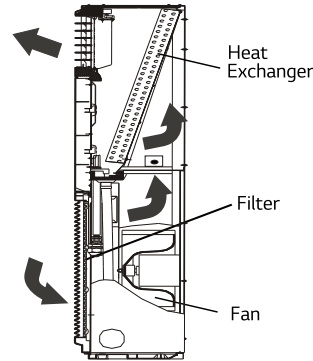
- ⚠
1. Direct the remote controller toward the Air conditioner.
 2. Check that there are no objects between the remote control and the Signal receptor in the indoor unit.
 3. Never leave the remote controller exposed to the rays of the sun.
 4. Keep the remote controller at a distance of at least 1m from the television or other electrical appliances.



Operating Instructions

The air sucked by the fan enters from the grill and passes through the filter, then it is cooled/dehumidified or heated through the heat exchanger.

The direction of the air outlet is motorized up and down by flaps, and manually moved right and left by the vertical deflectors, for some models, the vertical deflectors could be controlled by motor as well.



"SWING " CONTROL OF THE AIR FLOW

1. Press the button to activate the "FLAP ",
(1) If press time interval is in 2 seconds, the swing will cycle as below: deactivate

(2) If long press the button, the swing angle range of horizontal flap will cycle as below:

(3) If press time interval is over 2 seconds, it will be deactivate the air flow is directed alternatively from up to down. In order to guarantee an even diffusion of the air in the room.

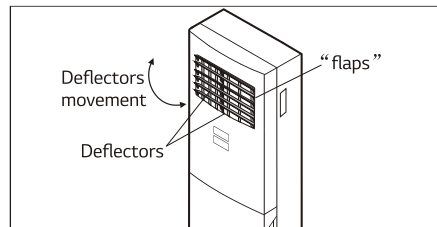
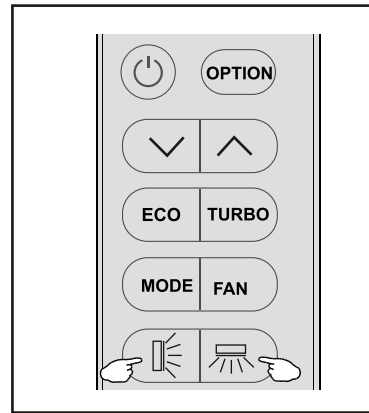
2. Press the button to activate the motorized "deflectors",
(1) If press time interval is in 2 seconds, the swing will cycle as below: flashing deactivate

(2) If long press the button, the swing will cycle as below:

(3) If press time interval is over 2 seconds, it will be deactivate the air flow is directed alternatively from left to right. (Optional function, depends on the models)

The deflectors are positioned manually and placed under the flaps. They allow to direct the air flow rightward or leftward.

- This adjustment must be done while the appliance is switched off.
- Never position "Flaps" manually, the delicate mechanism might seriously damaged!
- Never poke fingers, sticks or other objects in the air inlet or outlet vents. Such accidental contact with live pants might cause unforeseeable damage or hurt.



Modes of Operation

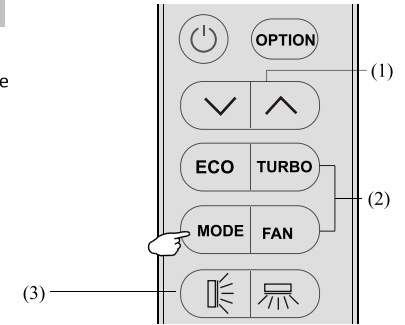
COOLING MODE

COOL The cooling function allows the air conditioner to cool the room and at the same time reduces Air humidity.

To activate the cooling function (COOL), press the **MODE** button until the symbol COOL appears on the display.

The cooling function is activated by setting the button or at a temperature lower than that of the room.

To optimize the function of the Air conditioner, adjust the temperature (1), the speed (2) and the direction of the air flow (3) by pressing the button indicated.



HEATING MODE

HEAT The heating function allows the air conditioner to heat the room.

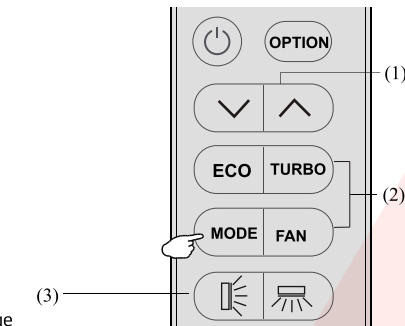
To activate the heating function (HEAT), press the **MODE** button until the symbol HEAT appears on the display.

With the button or set a temperature higher than that of the room..

To optimize the function of the Air conditioner adjust the temperature (1), the speed (2) and the direction of the air flow (3) by pressing the button indicated



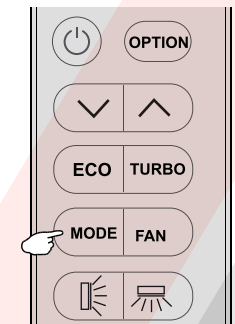
In HEATING operation, the appliance can automatically activate a defrost cycle, which is essential to clean the frost on the condenser so as to recover its heat exchange function. This procedure usually lasts for 10-2 minutes during defrosting, indoor unit fan stop operation. After defrosting, it resumes to HEATING mode automatically.



DRY MODE

DRY This function reduces the humidity of the air to make the room more comfortable.

To set the DRY mode, Press **MODE** until DRY appears in the display. An automatic function of alternating cooling cycles and air fan is activated.



Modes of Operation

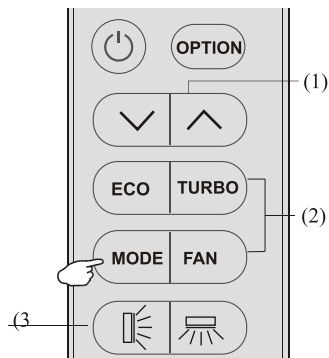
FAN MODE(Not FAN button)

FAN

The air conditioner works in only ventilation.

To set the FAN mode, Press **MODE** until FAN appears on the display.

To optimize the function of the air conditioner, adjust the temperature(1), the speed (2) and the direction of the air flow (3) by pressing the buttons indicated.



AUTO MODE

AU TO

Automatic mode.

To activate the AUTO mode of operation, press the **MODE** button on the remote controller until the symbol AUTO appears on the display.

In AUTO mode the run mode will be set automatically according to the room temperature.

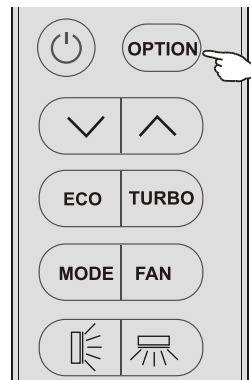
To optimize the function of the air conditioner, adjust the temperature(1), the speed (2) and the direction of the air flow (3) by pressing the buttons indicated.

DISPLAY function (Indoor display)

[DIS PLAY]

Switch on/off the LED display on panel

Press **OPTION** at the first time, select the DISPLAY by pressing the button \wedge or \vee until symbol DISPLAY is flashing; Press **OPTION** again to switch off the LED display on the panel, and **[DIS PLAY]** appears on the remote controller display. Do it again to switch on the LED display.



SLEEP function

[SLE EP]

Press **OPTION** at the first time, select the SLEEP by pressing the button \wedge or \vee until symbol SLEEP is flashing; Press **OPTION** again to activate the SLEEP function, and **[SLE EP]** appears on the display. Do it again to deactivate this function.

Modes of Operation

GEN function (Optional)

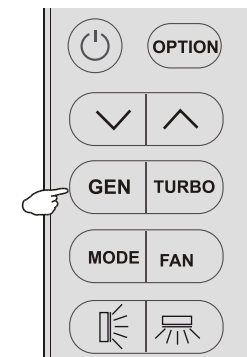
GEN

The air conditioner works in GEN mode

Through GEN mode, you can choose the current level of the unit. There are three levels (L1, L2, L3) in this mode, and the current increases in turn.

To activate GEN function, pressing the button GEN and the unit current level will cycle as below OFF \rightarrow L3 \rightarrow L2 \rightarrow L1

To cancel this function, press the GEN until code OFF appears on the display.



ECO function

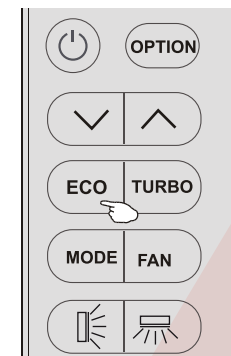
ECO

In this mode the appliance automatically sets the operation to achieve energy savings.

1. Press the "ON / OFF" button to turn on appliance and select a COOLING / HEATING mode.
2. Press the "ECO" button, the appliance will run in ECO mode.
3. Pressing the "ECO" button again will cancel the mode, "ECO" will no longer be shown on the LCD screen.


NOTE:

The ECO function is available in COOLING and HEATING modes.



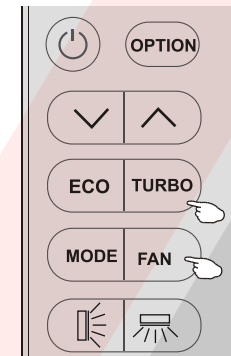
Turbo function



To activate turbo function, pressing the button TURBO or pressing the button FAN until symbol  appears on the display.

To cancel this function, pressing the FAN to switch other fan speed or pressing the TURBO button again.

In AUTO/HEAT/COOL/FAN mode, When you select TURBO feature, it will use the highest fan setting to blow strong airflow.



TIMER function

[TIMER] To set the automatic switch-on /off of the air conditioner

Timer setting/change/cancel:

1. Press **[OPTION]** at the first time , select the Timer by pressing the button \wedge or \vee until symbol **TIMER** is flashing;
2. Press **[OPTION]** again, the data symbol like **6.5h** and **TIMER** will be flashing;
3. To set the timer or change the timer:
 - (1) Press the button \wedge or \vee to set the expected timer (Increase or decrease a t half-hour intervals) the symbols **h** and **TIMER** both are flashing.
 - (2) Press **[OPTION]** or waiting for 5 seconds without any operation to confirm the timer , the pre-setting timer like **6.5h** and symbol **[TIMER]** will be on the display.
4. To cancel the timer(if **TIMER** is on) Repeat step 1, step 2, then press **[OPTION]** or waiting for 5 seconds without any operation to cancel the timer .

A sample for the Timer -on as Figure1, Timer-off as Figure2

Note:
All processing should be operated in 5 seconds, otherwise the processing will be cancelled.

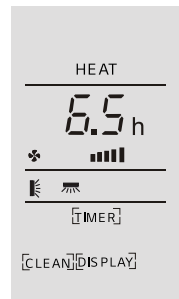
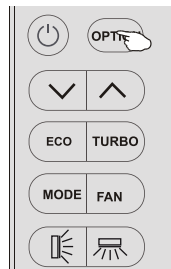


Figure1,Timer-on when switch off

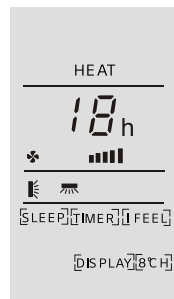


Figure2,Timer-off when switch on

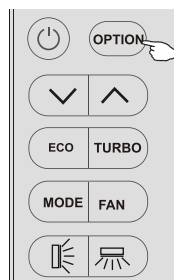
I FEEL function (Optional)

[I FEEL]

Press **[OPTION]** at the first time , select the I FEEL by pressing the button \wedge or \vee until symbol **I FEEL** is flashing; Press **[OPTION]** again to activate the I FEEL function, and **[I FEEL]** appears on the display. Do it again to deactivate this function.

This function enable the remote control to measure the temperature atts current location and send this signal 7 times in 2 hours to the air conditioner to enable the air conditioner to optimize the temperature around you and ensure maximum comfort.

It will automatically deactivate 2 hours later.



MILDEW function (Optional)

[MILDEW]

Press **[OPTION]** at the first time , select the MILDEW by pressing the button \wedge or \vee until symbol **MILDEW** is flashing; Press **[OPTION]** again to activate the MILDEW function, and **[MILDEW]** appears on the display. Do it again to deactivate this function.

This function enable the air conditioner still blow airflow about 15 minutes to dry the indoor inner parts to avoid mildew, when the air conditioner is off.

Note: MILDEW function only available in DRY/COOLING mode

SELF-CLEAN function (Optional)

[CLEAN]

Switch off the air conditioner by pressing

Press **[OPTION]** at the first time , select the CLEAN by pressing the button \wedge or \vee until symbol **CLEAN** is flashing; Press **[OPTION]** again to activate the CLEAN function, and **[CLEAN]** appears on the display. Do it again to deactivate this function.

1. This function help carry away the accumulated dirt, bacteria, etc from the evaporator.
2. This function will run about 30 minutes, and it will return to the pre-setting mode .You can press \odot to cancel this function during the process. You will hear 2 beeps when it's finished or cancelled.
3. It's normal if there are some noise during this function process, as plastic materials expand with heat and contract with cold.
4. We suggest operate this function as the following ambient condition to avoid certain safety protection features.

Indoor unit	Temp < 30°C
Outdoor unit	5°C < Temp < 30°C

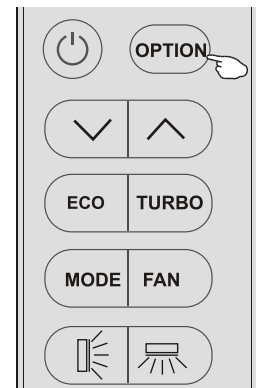
5. We suggest operate this function per 3 months.

8°C heating function (Optional)

[8°C H]

It can be set in Cool/Heat/Dry/Fan/Auto mode, but you need to turn off the unit to activate it.

1. Press **[OPTION]** at the first time , select the 8 °C H by pressing the button \wedge or \vee until symbol **8 °C H** is flashing; Press **[OPTION]** again to choose the 8°C heating function, and **[8°C H]** appears on the display. Do it again or change the mode to deactivate this function.
2. If the air conditioner is standby, this function enable the air conditioner automatically start heating when the indoor temperature is equal or lower than 8°C, it will return standby if the temperature is equal or higher than 18°C.



Protection

The air conditioner is programmed for comfortable and suitable living conditions, if it is used in abnormal conditions as below, certain safety protection features might come into effect.

For T1 Climate condition models:

No.	MODE	Ambient temperature
1	Heating	Outdoor temperature is over 24°C
		Outdoor temperature is below 7°C
		Room temperature is over 27°C
2	Cooling	Outdoor temperature is over 43°C
		Room temperature is below 21 °C
3	Dry	Room temperature is below 18° C

For Tr opical (T3) Climate condition models:

No.	MODE	Ambient temperature
1	Heating	Outdoor temperature is over 24°C
		Outdoor temperature is below 7°C
		Room temperature is over 27°C
2	Cooling	Outdoor temperature is over 52°C
		Room temperature is below 21 °C
3	Dry	Room temperature is below 18° C

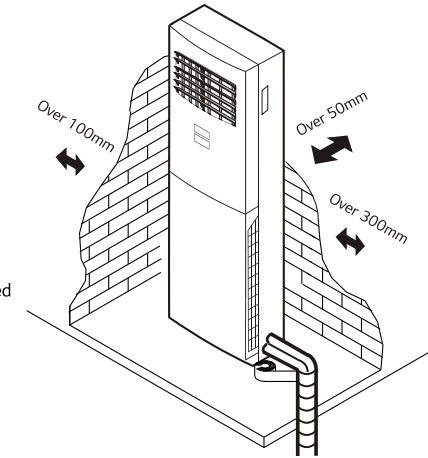
⚠ The unit does not operate immediately if it is turned on after being turned off or after changing the mode during operation. this is a normal self-protection action, you need wait for about 3 minutes.

⚠ The capacity and efficiency are according to the test conducted at full-load operation*.
*The highest speed of indoor fan motor and the maximum open angle of the flaps and deflectors are requested.

Installation Manual---Selecting the Installation Place

INDOOR UNIT

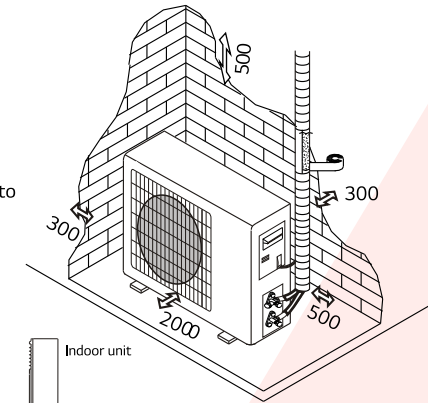
- Install the indoor unit on a strong wall that is not subject to vibrations.
- The in let and outlet ports should not be obstructed:the air should be able to blow all over the room.
- Do not install the unit near a source of heat , steam,or flammable gas.
- Install the unit near an electric socket or private circuit.
- Do not install the unit where it will be exposed to direct sunlight.
- Select a site where the condensed water can be easily drained out, and where it is easily connected to outdoor unit.
- Check the machine operation regularly and reserve the necessary spaces as shown in the picture.
- Select a place where the filter can be easily taken out.



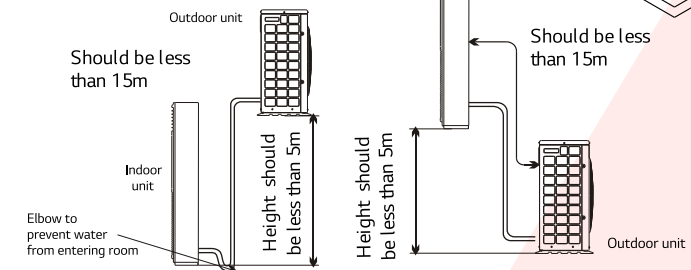
OUTDOOR UNIT

- Do not install the outdoor unit near sources of heat, steam or flammable gas.
- Do not install the unit in too windy or dusty places.
- Do not install the unit where people often pass. Select a place where the air discharge and operating sound will not disturb the neighbours.
- Avoid installing the unit where it will be exposed to direct sunlight (other wise use a protection , if necessary, that should not interfere with the air flow).
- Reserve the spaces as shown in the picture for the air to circulate freely.
- Install the outdoor unit in a safe and solid place.
- If the outdoor unit is subject to vibration, place rubber gaskets onto the feet of the unit.

minimum space to be reserved (mm) showing in the picture



Installation Diagram



The purchaser must ensure that the person and/or company who is to install, maintain or repair this air conditioner has qualifications and experience in refrigerant products.

Before starting installation, decide on the position of the indoor and outdoor units, taking into account the minimum space reserved around the units

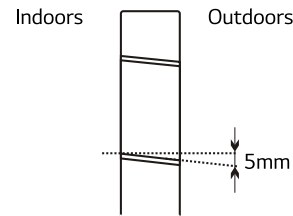
- ⚠ Do not install your air conditioner in a wet room such as a bathroom or laundry etc

Note : The shape of the mounting plate may be different from the one above, but installation method is similar .

Drilling a hole in the wall for the piping

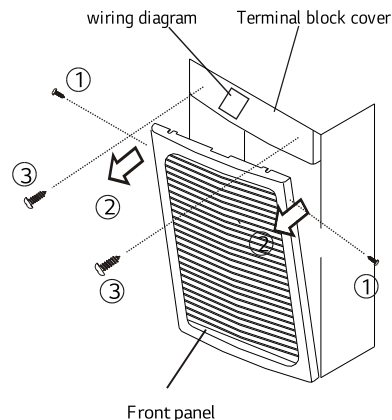
1. Decide where to drill the hole in the wall for the piping (if necessary) according to the position of the indoor unit;
2. Install a flexible flange through the hole in the wall to keep the latter intact and clean.

- ⚠ The hole must slope downwards towards the exterior
- Note : Keep the drain pipe down towards the direction of the wall hole, otherwise leakage may occur.



Electrical connections---Indoor unit

1. Take off the front panel as indicated in the picture (by removing the screws)
2. Take out the accessories from the indoor unit.
3. Take off the cover as indicated in the picture (by removing a screw).
4. For the electrical connections, see the circuit diagram on the right part of the unit under the front panel.
5. Connect the cable wires to the screw terminals by following the numbering ,Use wire size suitable to the electric power input (see name plate on the unit) and according to all current national safety code requirements.



- ⚠ The cable connecting the outdoor and indoor units must be suitable for outdoor use.
- ⚠ An efficient earth connection must be ensured.
- ⚠ If the power cable is damaged, it must be replaced by an authorised Service Centre.

Refrigerant piping connection

The piping can be run in the 3 directions indicated by numbers in the picture . Select a most suitable one for installation convenience.

Run the piping in the direction of the wall hole and bind the copper pipes , the drain pipe and the power cables together with the tape with the drain pipe at the bottom, so that water can flow freely.

- ⚠ Friendly reminder:

In order to better protect the connecting pipe and the connecting line, the pipe hole sealing component needs to be installed on the pipe hole. The specific installation position is determined according to the actual pipe running direction (left side plate, right side plate, rear plate); after the connecting pipe is installed Fix it with 1 screw, and the specific position can be moved according to the actual situation;

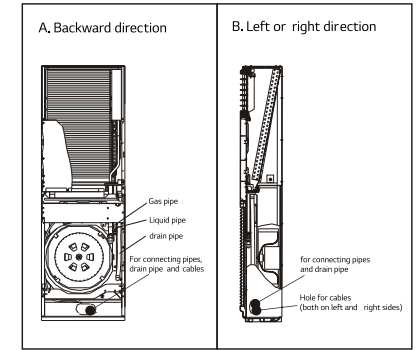
Do not remove the cap from the pipe until connecting it, to avoid dampness or dirt from entering. If the pipe is bent or pulled too often , it will become stiff . Do not bend the pipe more than three times at one point. When extending the rolled pipe, straighten the pipe by unwinding it gently as shown in the picture.

- ⚠ Friendly reminder:

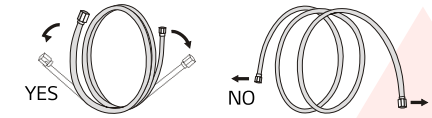
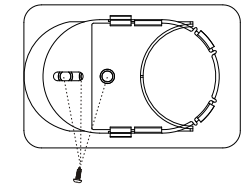
In order to facilitate the installation, the thicker connecting pipe of this model (when the indoor side is connected to the rear) needs to have $\geq 375\text{mm}$ thread L. Otherwise, the connecting pipe may bear against the filter net, and there is a problem that the filter is loose or the gap of the lower panel is too large;

Connections to the indoor unit

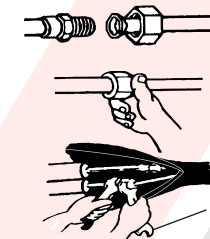
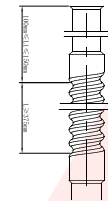
1. Remove the indoor unit pipe cap (check that there is no debris inside).
2. Insert the flare nut and create a flange at the extreme end of the connection pipe.
3. Tighten the connections by using two wrenches working in opposite directions



Shape the connection pipe



Extending the rolled pipe

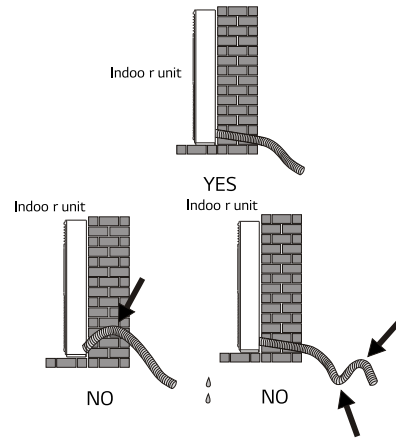


torque wrench

Indoor unit condensed water drainage

The indoor unit condensed water drainage is fundamental for the success of the installation.

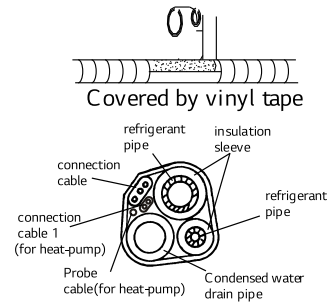
1. Place the drain hose below the piping, taking care not to create siphons.
2. The drain hose must slant downwards to aid drainage.
3. Do not bend the drain hose or leave it protruding or twisted and do not put the end of it in water. If an extension is connected to the drain hose, ensure that it is lagged when it passes into the indoor unit.



INSTALLATION OF THE INDOOR UNIT

After having connected the pipe according to the instructions, install the connection cables. Now install the drain pipe. After connection, lag the pipe, cables and drain pipe with the insulating material.

1. Arrange the pipes, cables and drain hose well.
2. Lag the pipe joints with insulating material, securing it with vinyl tape.
3. Run the bound pipe, Cables and drain pipe through the wall hole and mount the indoor unit onto the upper part of the mounting plate securely.



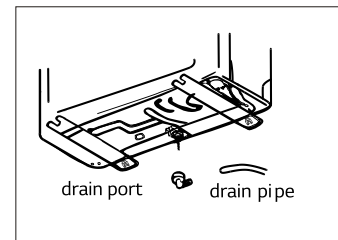
INSTALLATION MANUAL---Installation of the outdoor unit

- The outdoor unit should be installed on a solid wall and fastened securely.
- The following procedure must be observed before connecting the pipes and connecting cables: decide which is the best position on the wall and leave enough space to be able to carry out maintenance easily.
- Fasten the support to the wall using screw anchors which are particularly suited to the type of wall;
- Use a larger quantity of screw anchors than normally required for the weight they have to bear to avoid vibration during operation and remain fastened in the same position for years without the screws becoming loose.
- The unit must be installed following the national regulations.

Outdoor unit condensed water drainage (only for heat pump models)

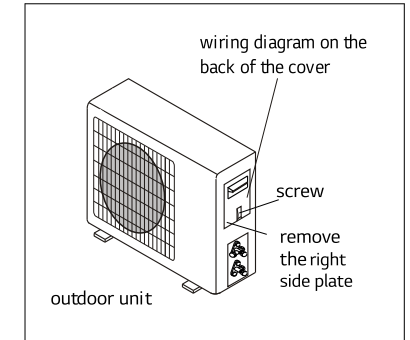
The condensed water and the ice formed in the outdoor unit during heating operation can be drained away through the drain pipe

1. Fasten the drain port in the 25mm hole placed in the part of the unit as shown in the picture.
 2. Connect the drain port and the drain pipe.
- Pay attention that water is drained in a suitable place.



ELECTRICAL CONNECTIONS

1. Remove the handle on the right side plate of outdoor unit.
2. Connect the power connection cord to the terminal board. Wiring should fit that of indoor unit.
3. Fix the power connection cord with wire clamp.
4. Confirm if the wire has been fixed properly.
5. An efficient earth connection must be ensured.
6. Recover the handle.

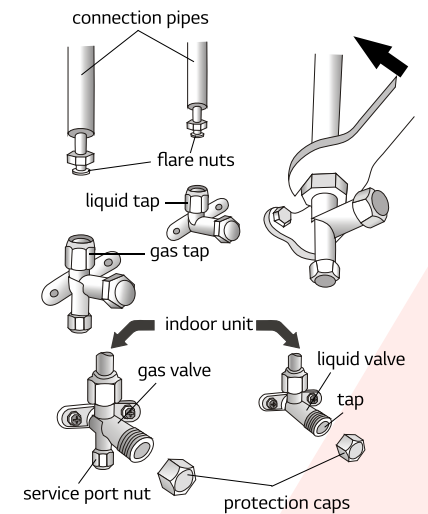


CONNECTING THE PIPES

Screw the flare nuts to the outdoor unit coupling with the same tightening procedures described for the indoor unit.

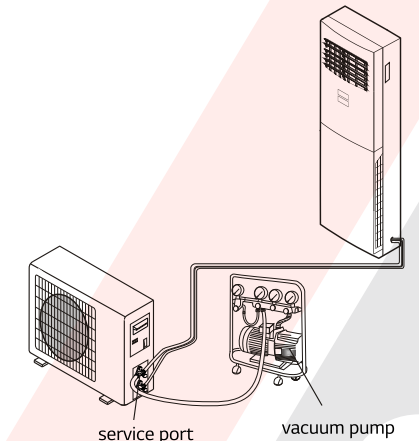
To avoid leakage, pay attention to the following points:

1. Tighten the flare nuts using two wrenches. Pay attention not to damage the pipes.
2. If the tightening torque is not sufficient, there will probably be some leakage. With excessive tightening torque there will also be some leakage, as the flange could be damaged.
3. The surest system consists in tightening the connection by using a fix wrench and a torque wrench; in this case use the table on page 22.



BLEEDING

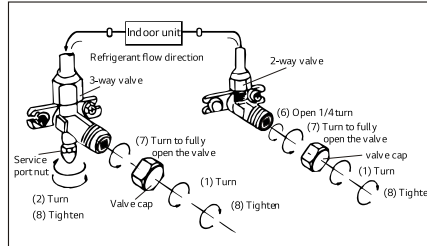
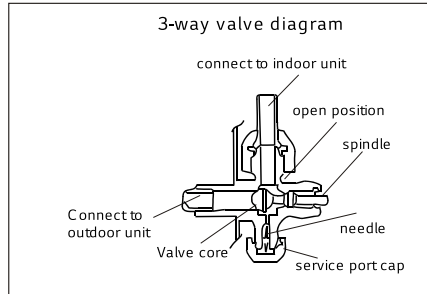
Air and humidity left inside the refrigerant circuit can cause compressor malfunction. After having connected the indoor and outdoor units, bleed the air and humidity from the refrigerant circuit by using a vacuum pump.



BLEEDING

The air and humidity left inside the refrigerant circulation can cause compressor malfunction. After having connected the indoor and outdoor units, bleed the air and humidity from the refrigerant circulation using a vacuum pump.

- (1) Unscrew and remove the caps from the 2 - way and -3way valves.
- (2) Unscrew and remove the cap from the service port.
- (3) Connect the vacuum pump hose to the service port.
- (4) Operate the vacuum pump for 15 - 10 minutes until an absolute vacuum of 10 mm Hg has been reached.
- (5) With the vacuum pump still in operation, close the low - pressure knob on the vacuum pump coupling. Stop the vacuum pump.
- (6) Open the 2 - way valve by 4/1 turn and then close it after 10 seconds. Check all the joints for leaks using liquid soap or an electronic leak device.
- (7) Turn the body of the -2way and -3way valves. Disconnect the vacuum pump hose.
- (8) Replace and tighten all the caps on the valves.



INSTALLATION MANUAL--- operation test

1. Wind insulating covering around the joints of the indoor unit and fix it with insulating tape.
2. Fix the exceeding part of the signal cable to the piping or to the outdoor unit.
3. Fix the piping to the wall (after having coated it with insulating tape) using clamps or insert them into plastic slots.
4. Seal the hole in the wall through which the piping is passed so that no air or water can fill.

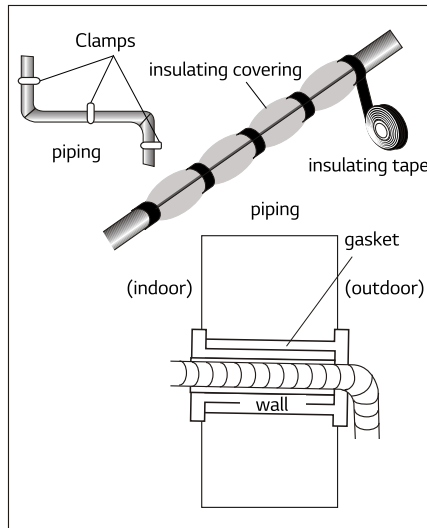
Indoor unit test

- Do the ON/OFF and FAN operate normally?
- Does the MODE operate normally?
- Do the set point and TIMER function properly?
- Does each lamp light normally?
- Do the flap for air flow direction operate normally?
- Is the condensed water drained regularly?

Outdoor unit test

- Is there any abnormal noise or vibration during operation?
- Could the noise, the air flow or the condensed water drainage disturb the neighbours?
- Is there any coolant leakage?

Note: the electronic controller allows the compressor to start only three minutes after voltage has reached the system.



MODEL	capacity (Btu/h)	24k	36k
Liquid pipe diameter		3/8" (φ 9.52)	3/8" (φ 9.52)
Gas pipe diameter		5/8" (φ 15.88)	5/8" (φ 15.88)
Length of pipe with standard charge		5m	5m
Maximum distance between indoor and outdoor unit		15m	15m
Additional refrigerant charge		50g/m	50g/m
Max. diff. in level between indoor and outdoor unit		5m	5m
Type of refrigerant(1)			

- (1) Refer to the data rating label stucked on the outdoor unit.

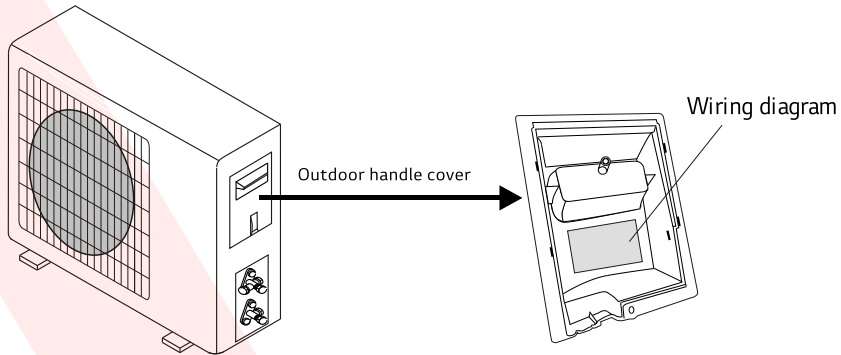
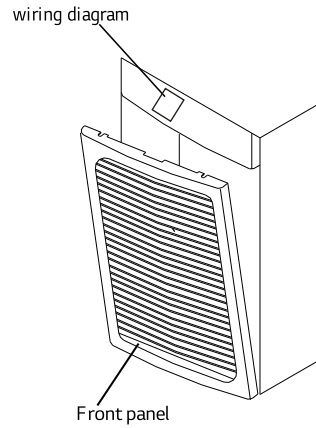
TIGHTENING TORQUE FOR PROTECTION CAPS AND FLANGE CONNECTION

PIPE	TIGHTENING TORQUE [N x m]	CORRESPONDING STRESS (using a 20 cm wrench)		TIGHTENING TORQUE [N x m]
8/3" (φ 9.52)	31 - 35	arm strength	Protection caps	25 - 30
8/5" (φ 15.88)	75 - 80	arm strength		

WIRING DIAGRAM

For different models, the wiring diagram may be different. Please refer to the wiring diagrams pasted on the indoor unit and outdoor unit respectively.

On indoor unit, the wiring diagram is pasted under the front panel;
On outdoor unit, the wiring diagram is pasted on the backside of the outdoor handle cover.



Note: For some models the wires has been connected to the main PCB of indoor unit by manufacturer without terminal block.

CABLE WIRES SPECIFICATION

MODEL	capacity (Btu/h)	24k	36k
		Sectional area	
Power supply cable	N	2.5mm ² AWG 12	2.5mm ² (4.0mm)
	L	2.5mm ² AWG 12	2.5mm ² (4.0mm)
	E ⊕	2.5mm ² AWG 12	2.5mm ² (4.0mm)
	R(A)	—	—
	S(B)	—	—
	T(C)	—	—
	N ⊕	—	—
Connection supply cable	N	2.5mm ²	0.75mm ² (1.5mm)
	L	2.5mm ²	0.75mm ² (1.5mm)
	⊕	2.5mm ²	0.75mm ² (1.5mm)
	1	0.75mm ² (2.5mm)	0.75mm ²
	2	0.75mm ² (2.5mm)	0.75mm ²
	3	0.75mm ² (2.5mm)	0.75mm ²
	4	—	0.75mm ²

Type of fuse used on indoor unit controller is 50T with rating 5 A , 250V

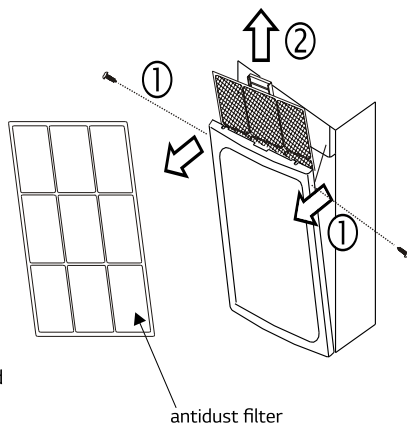
Maintenance

Periodic maintenance is essential for keeping your air conditioner efficient. Before carrying out any maintenance, disconnect the power supply by putting the installation on/ off switch to “off”.

INDOOR UNIT

ANTIDUST FILTERS

1. Open the front panel as indicated in the picture (by removing the screws)
2. Keeping the front panel raised with one hand, take out the air filter with the other hand
3. Clean the filter with water; if the filter is soiled with oil, it can be washed with warm water (not exceeding 45°C). Leave to dry in a cool and dry place.
4. Keeping the front panel raised with one hand, insert the air filter with the other hand
5. Close



The electrostatic and the deodorant filter (if installed) cannot be washed or regenerated and must be replaced with new filters once every 6 months.

CLEANING THE HEAT EXCHANGER

1. Take off the front panel by removing the screws to make the cleaning easier.
2. Clean the indoor unit using a cloth with the water (not higher than 40°C) and neutral soap. Never use aggressive solvents or detergents.

END OF SEASON MAINTENANCE

1. Disconnect the automatic switch or the plug.
2. Clean and replace the filters
3. On a sunny day let the conditioner work in ventilation for some hours, so that the inside of the unit can dry completely.

REPLACING THE BATTERIES

When:

- There is no confirmation beep from the indoor unit.
- The LCD doesn't activate.

How:

- Take off the cover at back.
- Place the new batteries respecting the symbols + and -.

N.B: Use only new batteries. Remove the batteries from the remote control when the conditioner is not in operation

WARNING! Do not throw batteries into common rubbish, they should be disposed of in the special containers situated in the collection points.

Troubleshooting

MALFUNCTION	POSSIBLE CAUSES
The appliance does not operate	Power failure/plug pulled out
	Damaged indoor/outdoor unit fan motor
	Faulty compressor thermomagnetic circuit breaker
	Faulty protective device or fuses.
	Loose connections or plug pulled out
	It sometimes stops operating to protect the appliance.
	Voltage higher or lower than the voltage range
Strange odour	Active TIMER-ON function
	Damaged electronic control board
Strange odour	Air filter dirty
Noise of running water	Back flow of liquid in the refrigerant circulation
A fine mist comes from the air outlet	This occurs when the air in the room becomes very cold, for example in the “COOLING” or “DEHUMIDIFYING/DRY” modes.
A strange noise can be heard	This noise is made by the expansion or contraction of the front panel due to variations in temperature and does not indicate a problem.
Insufficient airflow, either hot or cold	Inappropriate temperature setting..
	Air inlet or outlet of indoor or outdoor unit has been blocked.
	Air filter is blocked.
	Fan speed set at minimum.
The appliance does not respond to commands	Other sources of heat in the room.
	No refrigerant.
	Remote control is not near enough to indoor unit.
The display is off	Battery in Remote controller may have been exhausted..
	Obstacles between remote control and signal receiver in indoor unit.
The display is off	Active LED function
	Power failure

Switch off the air conditioner immediately and cut off the power supply in the event of:

Strange noises during operation.

Faulty electronic control board

Faulty fuses or switches.

Spraying water or objects inside the appliance.

Overheated cables or plugs.

Very strong smells coming from the appliance.

ERROR SIGNALS ON THE DISPLAY

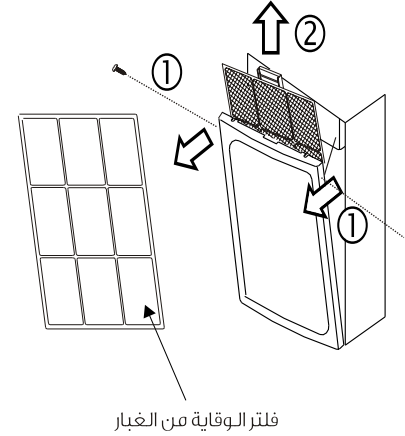
In case of error, the display on the indoor unit shows the following error codes:

	RUN lamp	Description of the trouble
E1	flashes once	The fault of indoor temperature sensor
E2	flashes twice	The fault of indoor pipe temperature sensor
E5	flashes 5 times	The protect of outdoor discharge temperature or wrong electrical connections or high current or high pressure

الأعطال	الأسباب المحتملة	
الجهاز لا يعمل	حدوث عطل في التيار/ فصل مصدر الطاقة	
	تلف محرك مروحة الوحدة الداخلية/ الخارجية	
	تُعطل قاطع الدائرة المغناطيسية الحرارية للضغط	
	تُعطل جهاز الحماية أو المصهرات	
	الوصلات مفككة أو القابض منزوع	
	تتوقف عن التشغيل أحياناً لحماية الجهاز	
	يكون نطاق الجهد الكهربائي أعلى أو أقل من المعتاد	
	تفعيل خاصية تشغيل المؤقت (TIMER-ON)	
	تلف لوحة التحكم الإلكترونية	
	وجود رائحة غريبة	انساخ فلتر الهواء
سماع صوت مزعج للماء الجاري	تدفق عكسي للسائل في دائرة وسيط التبريد	
انبعاث كمية كبيرة من البخار من مخرج الهواء	يحدث ذلك عندما يكون الهواء بارداً جداً في الغرفة، على سبيل المثال: في وضع التبريد "COOLING" أو الوضع الجاف/ وضع إزالة الرطوبة "DEHUMIDIFYING/DRY"	
سماع ضوضاء غريبة	يسبب تمدد اللوحة الامامية أو تقلصها هذه الضوضاء نتيجة لعدم التنبيه بوجود مشكلة عند اختلاف درجة الحرارة	
تدفق كمية غير كافية من الهواء، سواء كان ساخناً أو بارداً	إعدادات غير مناسبة لدرجة الحرارة	
	انسداد مدخل الهواء أو مخرج الوحدة الداخلية أو الوحدة الخارجية	
	انسداد فلتر الهواء	
	ضبط سرعة المروحة على الوضع الأدنى	
	وجود مصادر أخرى للحرارة في الغرفة لا يوجد وسيط تبريد	
لا يستجيب الجهاز للاوامر	عدم وجود جهاز التحكم عن بعد بالقرب من الوحدة الداخلية بدرجة كافية	
	استنفاد بطارية جهاز التحكم عن بعد	
لا يستجيب الجهاز للاوامر	وجود عوائق بين جهاز التحكم عن بعد ومستقبل الإشارة في الوحدة الداخلية	
	تفعيل خاصية "LED" انقطاع التيار الكهربائي	
أوقف تشغيل جهاز التبريد فوراً وافصل مصدر الطاقة في حالة حدوث ما يلي:		
سماع أصوات غريبة أثناء التشغيل		
تُعطل لوحة التحكم الإلكترونية		
تُعطل المصهرات أو المفاتيح		
رش مياه أو مواد أخرى بداخل الجهاز		
ارتفاع درجة الحرارة بداخل الكابلات أو القوابس		
انتشار رائحة قوية تنبعث من الجهاز		
إشارات الأعطال على شاشة العرض		
في حالة حدوث عطل، تظهر شاشة العرض الموجودة في الوحدة الداخلية رموز الأعطال التالية:		
وصف المشكلة	مصياع التشغيل	
عطل في مستشعر الحرارة في الوحدة الداخلية	وميض مرة واحدة	E1
عطل في مستشعر الحرارة في أنابيب الوحدة الداخلية	وميض مرتين	E2
حماية درجة حرارة التصريف الخارجية أو التوصيلات الكهربائية الخاطئة أو التيار العالي أو الضغط العالي	وميض 5 مرات	E5

الصيانة الدورية ضرورية للحفاظ على كفاءة جهاز تبريد الهواء الخاص بك. قم بفصل مصدر الإمداد بالطاقة الكهربائية بوضع مفتاح التشغيل / إيقاف التشغيل على وضع إيقاف التشغيل "off" قبل القيام بعملية الصيانة.

الوحدة الداخلية فلتر الوقاية من الغبار



- افتح اللوحة الامامية كما هو موضح في الصورة (عن طريق إزالة البراغى).
- أبقِ اللوحة الامامية مرفوعة بيد واحدة، وأخرج مرشح الهواء باليد الأخرى.
- نظف الفلتر بالماء. وإذا كان المرشح ملوثاً بالنزيت فيمكن تنظيفه بالماء الدافئ (لا تتجاوز درجة حرارة الماء 45 درجة مئوية). اترك المرشح ليحفظ في مكان بارد وجاف.
- أبقِ اللوحة الامامية مرفوعة بيد واحدة، وأدخل مرشح الهواء باليد الأخرى.
- أغلق اللوحة الامامية.

لا يمكن غسل الفلتر الكهروستاتيكي ومرشح الروائح الكربية أو إعادة تشغيله (إذا تم تركيبه) ويجب استخدام فلتر جديدة كل 6 أشهر.

تنظيف المبادل الحراري

- انزع اللوحة الامامية بفك البراغي لتيسير عملية التنظيف.
- نظف الوحدة الداخلية باستخدام قطعة قماش مبللة بالماء (لا تزيد درجة حرارة الماء عن 40 درجة مئوية) وصابون محايد. لا تستخدم المذيبات أو المنظفات القوية.

الصيانة عند نهاية الموسم

- افصل مفتاح التشغيل التلقائي أو القابض .
- نظف الفلاتر واستبدلها.
- اترك الجهاز يعمل في وضع التهوية ليضع ساعات في يوم مشمس، وبذلك يمكن أن تجف الوحدة من الداخل بالكامل.

استبدال البطاريات.

في الحالات التالية: لا يُسمع صوت صافرة يأتي من الوحدة الداخلية للتأكيد. لا تستجيب شاشة العرض (LCD).

كيفية الاستبدال: انزع الغطاء من الخلف. ضع البطاريات الجديدة على حسب العلامات + و-.

ملاحظة: استخدم البطاريات الجديدة فقط. انزع البطاريات من جهاز التحكم عن بُعد عند توقف الجهاز عن العمل. تحذير! لا تُلقِ البطاريات في سلة النفايات، حيث ينبغي التخلص منها في حاويات خاصة توضع في نقاط التجميع.

مواصفات الأسلاك

36k	24k	سعة الطراز (وحدة حرارية بريطانية/ ساعة)	
		القطاع العرضي	
2.5mm ² (4.0mm)	2.5mm ² AWG 12	N	
2.5mm ² (4.0mm)	2.5mm ² AWG 12	L	
2.5mm ² (4.0mm)	2.5mm ² AWG 12	E ⊕	
—	—	R(A)	كابل إمداد بالطاقة
—	—	S(B)	
—	—	T(C)	
—	—	N	
—	—	⊕	
0.75mm ² (1.5mm)	2.5mm ²	N	
0.75mm ² (1.5mm)	2.5mm ²	L	
0.75mm ² (1.5mm)	2.5mm ²	⊕	
0.75mm ²	0.75mm ² (2.5mm)	1	كابل توصيل بالطاقة
0.75mm ²	0.75mm ² (2.5mm)	2	
0.75mm ²	0.75mm ² (2.5mm)	3	
0.75mm ²	—	4	

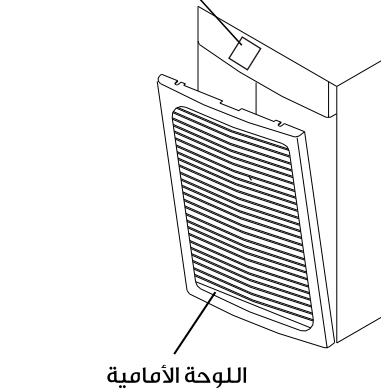
نوع المصهر المستخدم لجهاز التحكم في الوحدة الداخلية هو 50T والجهد المُقنن هو 5 أمبير/ 250 فولت.

مخطط توصيلات الأسلاك

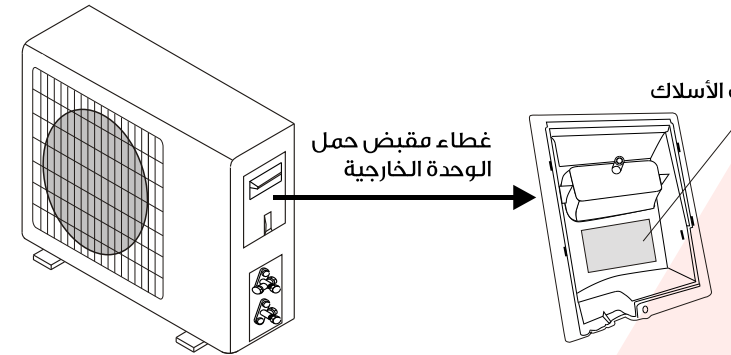
يختلف مخطط توصيلات الأسلاك بحسب أنواع الموديلات المختلفة. يرجى الرجوع إلى مخطط توصيلات الأسلاك المصنوع على الوحدات الداخلية والخارجية بالترتيب.

بالنسبة للوحدة الداخلية، المخطط معلق على اللوحة الأمامية. أما الوحدة الخارجية فالمخطط معلق على الجزء الخلفي لغطاء مقبض الوحدة الخارجية.

مخطط توصيلات الأسلاك



مخطط توصيلات الأسلاك



ملاحظة: يمكن للشركة المصنعة توصيل الأسلاك بلوحة الدوائر المطبوعة الأساسية الموجودة بالوحدة الداخلية بحسب الموديل ودون الحاجة لاستخدام وصلات طرفية.

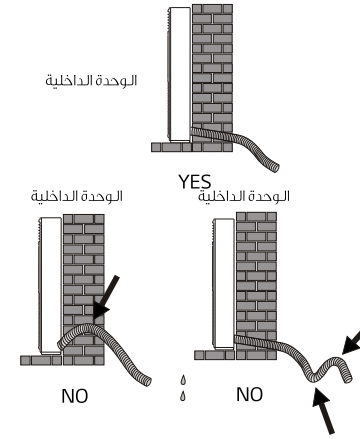
الوصلات الكهربائية

تصريف المياه المكثفة في الوحدة الداخلية أساسي لنجاح عملية التركيب.

1- ثبت خرطوم الصرف أسفل الأنابيب، مع مراعاة عدم سحب المياه.

2- يميل خرطوم الصرف للأسفل للمساعدة في عملية التصريف.

3- لا تحن خرطوم الصرف ولا تتركه بارزاً أو مطويًا ولا تضع نهايته في المياه. عند تركيب الوصلات مع خرطوم الصرف، تأكد من تغليف هذه الوصلات عند تمريرها إلى الوحدة الداخلية.



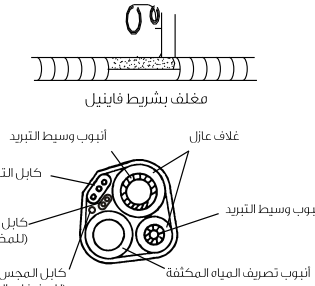
الوصلات الكهربائية

تصريف المياه المكثفة في الوحدة الداخلية أساسي لنجاح عملية التركيب.

1- ثبت خرطوم الصرف أسفل الأنابيب، مع مراعاة عدم سحب المياه.

2- يميل خرطوم الصرف للأسفل للمساعدة في عملية التصريف.

3- لا تحن خرطوم الصرف ولا تتركه بارزاً أو مطويًا ولا تضع نهايته في المياه. عند تركيب الوصلات مع خرطوم الصرف، تأكد من تغليف هذه الوصلات عند تمريرها إلى الوحدة الداخلية.



دليل التركيب — تركيب الوحدة الخارجية

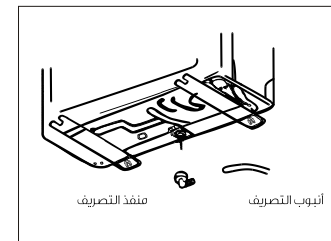
- ينبغي أن تُركَّب الوحدة الخارجية على حائط صلب وتُثبت بطريقة آمنة.
- قبل توصيل الأنابيب وكابلات التوصيل، يجب الالتزام بالإجراءات التالية: حدد المكان الأفضل على الحائط، واترك مساحة كافية لكي تكون قادراً على القيام بعملية الصيانة بسهولة.
- ثبت الدعائم على الحائط باستخدام براغي لولبية تتناسب مع نوع الحائط.
- استخدم كمية من البراغي اللولبية أكبر من المطلوبة عادة كي تتحمل الوزن لتجنب حدوث أي اهتزازات أثناء التشغيل، وتظل مثبتة في نفس المكان لعدة سنوات بدون فك البراغي.
- يجب تثبيت الوحدة تبعاً للوائح الوطنية.

تصريف المياه المكثفة في الوحدة الخارجية (فقط في الطرازات التي تضم خاصية التدفئة)

يمكن صرف المياه المكثفة والثلج المتكون داخل الوحدة الخارجية أثناء عملية التدفئة من خلال أنبوب الصرف.

1- ثبت منفذ التصريف في فتحة قطرها ٢٥ مم، في جزء من الوحدة كما هو مبين في الصورة.

2- وصل منفذ التصريف وأنبوب التصريف، تأكد من أن المياه تُصرف في مكان مناسب.



الوصلات الكهربائية

- 1- افتح المقبض من الجانب الأيمن للوحدة الخارجية.
- 2- وصل سلك الكهرباء باللوحة الطرفية، يجب أن تتناسب الأسلاك مع الوحدة الداخلية.
- 3- ثبت سلك الكهرباء بمشبك الأسلاك.
- 4- تأكد من أن السلك مُثبت بشكل سليم.
- 5- يجب التأكد من كفاءة التوصيلات الأرضية.
- 6- أغلق المقبض.

توصيل الأنابيب

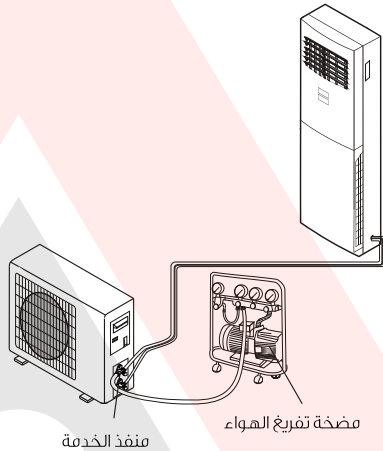
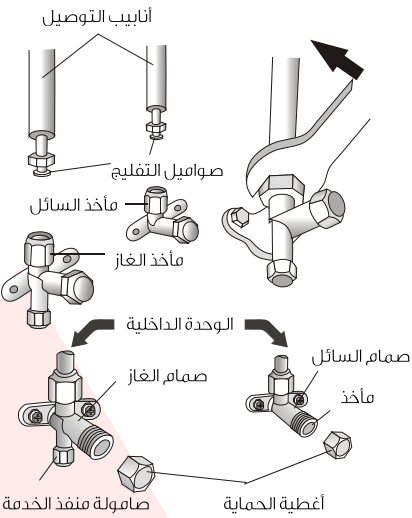
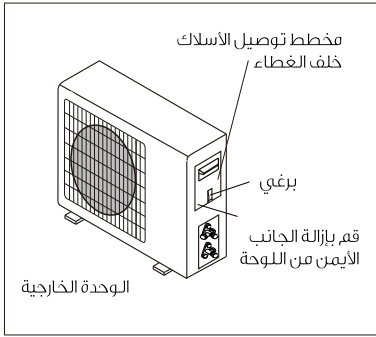
اربط صواميل التفلج في الوحدة الخارجية بالاقتران مع نفس إجراءات الربط الموضحة على الوحدة الداخلية.

لتجنب حدوث أي تسريب تأكد من النقاط التالية:

- 1- اربط صواميل التفلج باستخدام مفتاحي ربط. احذر إتلاف الأنابيب.
- 2- إذا لم يكن عزم دوران الربط كافياً فقد يحدث نوع من التسرب، وقد يؤدي وجود عزم دوران ربط زائد إلى حدوث نوع من التسرب، نتيجة لتلف الفلانجة.
- 3- يتكون النظام الأكثر تأكيداً من ربط التوصيلات باستخدام مفتاح ربط ومفتاح عزم، في هذه الحالة، استخدم الجدول الموجود في صفحة 22.

التفريغ

يمكن أن يسبب الهواء والرطوبة الموجودان داخل دائرة وسيط التبريد أعطالاً في الضاغط. فزغ الهواء والرطوبة من دائرة وسيط التبريد باستخدام مضخة تفريغ الهواء بعد توصيل الوحدة الداخلية والخارجية.



قبل بدء عملية التركيب، حدد مكان الوحدات الداخلية والخارجية مع مراعاة أقل مساحة مخصصة حول الوحدات

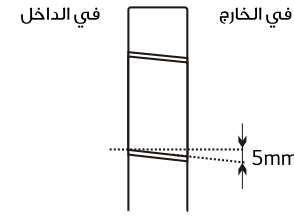
⚠ لا تركيب جهاز التبريد الخاص بك في غرفة رطبة مثل الحمام أو داخل غرفة الغسيل وما إلى ذلك.

ملاحظة: يمكن أن يختلف شكل لوحة التثبيت عن اللوحة الموضحة في المخطط أعلاه، ولكن تظل طريقة التركيب واحدة.

حفر ثقب في الحائط لإدخال الأنابيب

1- حفر ثقب في الحائط لإدخال الأنابيب اختر مكاناً لحفر ثقب في الحائط لإدخال الأنابيب (عند الحاجة) وفقاً لمكان الوحدة الداخلية.
2- ركب فلانجة مرنة في ثقب الجدار للحفاظ على سلامة الجدار ونظافته.

⚠ يجب أن ينحني الثقب لأسفل في اتجاه السطح الخارجي
ملاحظة: اربط أنبوب التصريف مثبتاً لأسفل باتجاه ثقب الحائط، وإلا فسوف يتسبب ذلك في حدوث تسرب.



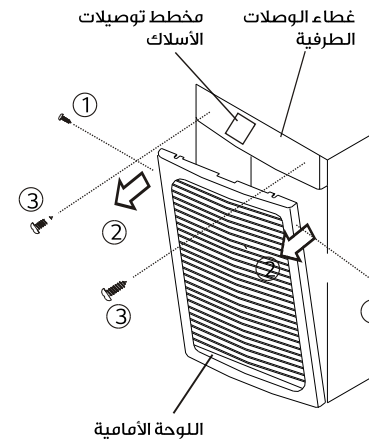
التوصيلات الكهربائية - الوحدة الداخلية

1- انزع اللوحة الأمامية كما هو موضح في الصورة (عن طريق إزالة البراغي).
2- انزع الملحقات من الوحدة الداخلية.
3- انزع الغطاء كما هو موضح في الصورة (عن طريق إزالة البرغي).
4- فيما يتعلق بالتوصيلات الكهربائية، اطلع على مخطط الدائرة الكهربائية الموضح في الناحية اليمنى للوحدة أسفل اللوحة الأمامية.
5- وصل أسلاك الكابلات بأطراف البراغي باتباع أسلوب الترفيم، واستخدم سلكاً بحجم يتماشى مع دخل الطاقة الكهربائية (اطلع على لوحة بيانات الوحدة) وفقاً للمتطلبات المحلية الحالية لكود الأمن.

⚠ يجب أن يتماشى الكابل المستخدم لتوصيل الوحدات الخارجية والداخلية مع الاستخدامات الخارجية.

⚠ يجب التأكد من كفاءة التوصيلات الأرضية.

⚠ في حالة تلف كابل الطاقة، يجب أن يقوم مركز خدمة معتمد باستبداله.



وصلات أنابيب وسيط التبريد

يمكن تشغيل الأنابيب في ثلاثة اتجاهات كما هو موضح بالأرقام في الصورة. اختر الاتجاه الأنسب للتركيب.
مزر الأنابيب في اتجاه ثقب الحائط وادمج الأنابيب النحاسية وأنابيب التصريف وكابلات الطاقة مع الشريط وأنبوب التصريف بالجهة السفلية، حتى يُسمح للماء بالتدفق بسهولة.

⚠ للتذكير:

لحماية أنبوب التوصيل وخط التوصيل بصورة أفضل، يجب تركيب حلقة منع تسرب للأنبوب في فتحة الأنبوب. يتم تحديد مكان التركيب وفقاً للاتجاه الفعلي لسريان الأنبوب (اللوحة على الجانب الأيسر، اللوحة على الجانب الأيمن، اللوحة الخلفية). بعد تركيب أنبوب التوصيل، ثبته ببرغي واحد ويمكن نقل الموضع المحدد وفقاً للوضع الفعلي.

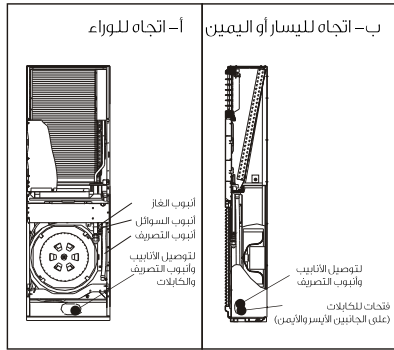
لا تُزل الغطاء من الأنبوب حتى يكتمل توصيل الأنبوب، لتجنب حدوث بلل أو دخول التراب.
إذا تم ثني أو شد الأنبوب كثيراً، فسيتمدد الأنبوب. لا تثن الأنبوب عند نقطة معينة أكثر من ٣ مرات.
عند تمديد الأنبوب المُدزّل، قم بتمديده بلطف كما هو موضح في الصورة.

⚠ للتذكير:

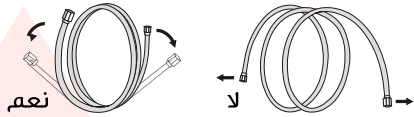
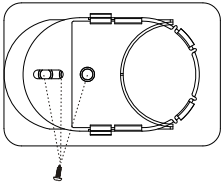
لتسهيل عملية التركيب، يجب أن يكون بأنبوب التوصيل لهذا الطراز (عند توصيل الجانب الداخلي بالخلفي) سن لولبي مفاص ≥ 375 مم، وإلا فقد يضغط الأنبوب على شبكة الفلتر ويصبح المرشح مرتخياً أو تصبح الفجوة في اللوحة السفلية كبيرة جداً.

التوصيلات مع الوحدة الداخلية

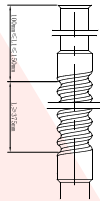
1- أزل غطاء أنبوب الوحدة الداخلية (تحقق من عدم وجود حطام بالداخل).
2- أدخل صامولة التفليج واصنع شفة عند نهاية أنبوب التوصيل.
3- اربط التوصيلات باستخدام مفتاحي ربط يعملان باتجاهين متضادين.



شكل أنبوب التوصيل



تمديد الأنبوب المدرفل



مفتاح عزم

جهاز التبريد مجهزة لراحتك وهو يناسب جميع الأحوال المعيشية، ففي حال استخدامه خارج شروط الاستخدام، ستُفَعَّل خصائص حماية السلامة وفقاً لما هو موضح أدناه.

للطرزات نوع T1:

الرقم	الوضع	درجة الحرارة المحيطة
1	التدفئة	درجة الحرارة الخارجية أكبر من 24° مئوية
		درجة الحرارة الخارجية أقل من 7° مئوية
2	التبريد	درجة حرارة الغرفة أكبر من 27° مئوية
		درجة الحرارة الخارجية أكبر من 43° مئوية
3	جاف	درجة الحرارة الخارجية أقل من 21° مئوية
		درجة حرارة الغرفة أقل من 18° مئوية

للطرزات نوع T3:

الرقم	الوضع	درجة الحرارة المحيطة
1	التدفئة	درجة الحرارة الخارجية أكبر من 24° مئوية
		درجة الحرارة الخارجية أقل من 7° مئوية
2	التبريد	درجة حرارة الغرفة أكبر من 27° مئوية
		درجة الحرارة الخارجية أكبر من 52° مئوية
3	جاف	درجة الحرارة الخارجية أقل من 21° مئوية
		درجة حرارة الغرفة أقل من 18° مئوية

⚠ لا تعمل الوحدة على الفور إذا تم تشغيلها بعد إيقافها أو بعد تغيير الوضع أثناء التشغيل، وذلك إجراء حماية ذاتية طبيعي، وستحتاج إلى الانتظار لمدة 3 دقائق تقريباً.

⚠ تحدد السعة والكفاءة وفقاً للاختبار الذي يتم إجراؤه أثناء حمل التشغيل الكامل.*
*يمكن ضبط محرك المروحة الداخلية على أقصى سرعة و الريش والعاكس على أقصى زاوية فتح حسب الطلب.

دليل التركيب---اختيار مكان التركيب

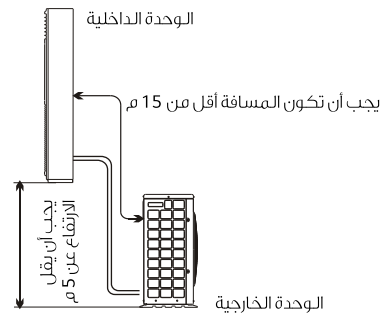
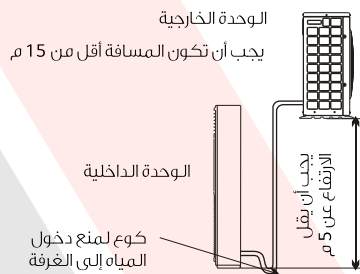
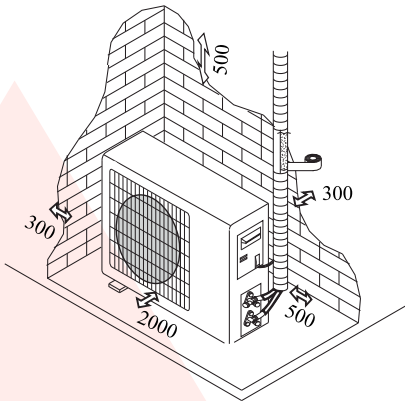
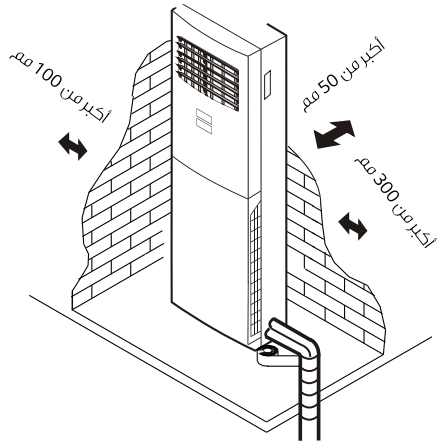
الوحدة الداخلية

- رُكِّب الوحدة الداخلية على حائط متين غير مُعرض للاهتزازات.
- يجب عدم إعاقة منافذ الدخول والخروج؛ يجب أن يكون هناك مساحة للهواء للانتشار في جميع أنحاء الغرفة.
- لا تُركب الوحدة بالقرب من مصدر الحرارة، أو البخار، أو الغازات القابلة للاشتعال.
- رُكِّب الوحدة بالقرب من مقبس الكهرباء أو الدائرة الكهربائية الخاصة.
- لا تُركب الوحدة في مكان معرض لأشعة الشمس المباشرة.
- اختر موقعاً للتركيب يسهل به تصريف المياه المكثفة، ويمكن من خلاله التوصيل بالوحدة الخارجية بسهولة.
- افحص كفاءة تشغيل الجهاز بصورة دورية، وحافظ على وجود المسافات اللازمة كما هو موضح بالصورة.
- اختر مكاناً يسهل من خلاله إخراج الفلتري.
- لوحدة تثبيت

الوحدة الداخلية

- لا تُركِّب الوحدة الخارجية بالقرب من مصدر الحرارة، أو البخار، أو الغازات القابلة للاشتعال.
- لا تُركب الوحدة في مكان يقع في هبوب الرياح والأتربة.
- لا تُركب الوحدة في مكان يمر به الكثير من الأشخاص. اختر مكاناً مناسباً حيث لا يسبب الهواء المحرر الساخن أو صوت التشغيل إزعاجاً للجيران.
- تجنب تركيب الوحدة في مكان معرض لأشعة الشمس المباشرة (والأفضل استخدام مظلة للحماية من أشعة الشمس -إذا لزم الأمر- شريطة ألا يتعارض هذا مع تدفق الهواء).
- حافظ على المساحات كما هو موضح في الصورة، للسماح بدوران الهواء بحرية.
- رُكِّب الوحدة الخارجية في مكان آمن ومتين.
- إذا كانت الوحدة الخارجية معرضة للاهتزازات فضع حشوات مطاطية أسفل أقدام الوحدة.

مخطط التركيب



يجب أن يتأكد المشتري أن الشخص و/ أو الشركة المسؤولة عن القيام بأعمال تركيب جهاز التبريد أو صيانته أو إصلاحه لديه مؤهلات وخبرة سابقة في مجال المبردات.

خاصية المؤقت "TIMER"

لضبط التشغيل/ إيقاف التشغيل التلقائي للجهاز.



ضبط/ تغيير/ إلغاء المؤقت:

- 1- اضغط على زر "OPTION" في المرة الأولى، وحدد المؤقت بالضغط على الأزرار \wedge أو \vee حتى يبدأ رمز TIMER في الوميض.
- 2- اضغط على زر "OPTION" مرة أخرى، ستومض رموز البيانات مثل 6.5 h و TIMER.
- 3- لضبط المؤقت أو تغييره:
 - (1) اضغط على الأزرار \wedge أو \vee لضبط الوقت المرغوب فيه (زيادة أو تقليل نصف ساعة عند كل ضغطة)، سيومض الرمزان h و TIMER.
 - (2) اضغط على زر "Option" أو انتظر ه ثوان دون اتخاذ أي فعل لتأكيد المؤقت، سيظهر المؤقت بالإعدادات السابقة مثل 6.5 h ورمز المؤقت على شاشة العرض.
 - (4) لإلغاء عمل المؤقت (إن كان في وضع التشغيل) كرر الخطوات 1 و 2 ثم اضغط على زر "Option" أو انتظر لمدة ه ثوان دون اتخاذ أي فعل لإلغاء المؤقت.

لاحظ في الشكل 1 نموذج للمؤقت في وضع التشغيل، وفي الشكل 2 نموذج للمؤقت في وضع إيقاف التشغيل.

ملاحظة:

يجب إجراء جميع خطوات العملية خلال ه ثوان وإلا فسُتغى العملية.

خاصية "I FEEL" (اختيارية)



اضغط على زر "OPTION" للمرة الأولى، حدد اختيار "I FEEL" بالضغط على زر \wedge أو \vee حتى يومض الرمز "I FEEL"، اضغط على زر "Option" مرة أخرى لتفعيل الخاصية، وحتى يظهر الرمز [I FEEL] على شاشة العرض. قم بذلك مجدداً لإلغاء تفعيل الخاصية.

تُمكن هذه الخاصية وحدة التحكم عن بُعد من قياس درجة الحرارة المحيطة بالوحدة في موقعها الحالي وإرسال إشارات بعدد 7 مرات للجهاز خلال ساعتين لتمكينه من تحسين درجة الحرارة المحيطة بك والتأكد من شعورك براحة أفضل.

تُغى هذه الخاصية تلقائياً بعد مرور ساعتين.

خاصية العفن الفطري "MILDEW" (اختيارية)



اضغط على زر "OPTION" في المرة الأولى، ثم اختر "MILDEW" عن طريق الضغط على زر \wedge أو \vee حتى يضيء الرمز "MILDEW"، ثم اضغط على زر "OPTION" مرة أخرى لتفعيل خاصية "MILDEW" وستظهر علامة [MILDEW] على شاشة العرض. كرر ذلك مرة أخرى لإلغاء تفعيل هذه الخاصية.

تُمكن هذه الخاصية جهاز التبريد من دفع الهواء لمدة ه دقيقة تقريباً لتجفيف الأجزاء الداخلية للوحدة الداخلية لتجنب العفن الفطري أثناء توقف جهاز التبريد عن التشغيل.

ملاحظة: خاصية "MILDEW" متوفرة فقط أثناء تشغيل الوضع الجاف "DRY"/وضع التبريد "COOLING".

خاصية التنظيف الذاتي "CLEAN" (اختيارية)



خاصية التنظيف الذاتي "CLEAN" (اختيارية) (CLEAN) أوقف تهيئتين جهاز التبريد عن طريق الضغط على زر "OPTION" في المرة الأولى، ثم اختر "CLEAN" عن طريق الضغط على زر \wedge أو \vee حتى يضيء الرمز "CLEAN"، ثم اضغط على زر "OPTION" مرة أخرى لتفعيل خاصية "CLEAN" وستظهر علامة [CLEAN] على شاشة العرض.

كرر ذلك مرة أخرى لإلغاء تفعيل هذه الخاصية.

- 1- تساعد هذه الخاصية في التخلص من الأوساخ المتراكمة، والبكتيريا، وما إلى ذلك من المبخر.
- 2- ستعمل هذه الخاصية لمدة 30 دقيقة تقريباً، ثم ستعود إلى وضع الإعداد السابق. يمكنك الضغط على \wedge لإلغاء هذه الخاصية أثناء العملية. ستسمع صوتاً يكرر مرتين عند انتهاء عملية التنظيف أو إلغاء الخاصية.
- 3- من الطبيعي سماع صوت ضوضاء بسيط أثناء عمل هذه الخاصية، حيث تتمدد المواد البلاستيكية بالحرارة وتكتمش بالبرودة.
- 4- نقترح تشغيل هذه الخاصية وفقاً للاحوال التالية للبيئة المحيطة وذلك لتجنب بعض خصائص حماية السلامة.

الوحدة الداخلية	درجة الحرارة > 30 درجة مئوية
الوحدة الخارجية	5°C درجات مئوية > درجة الحرارة > 30°C درجة مئوية

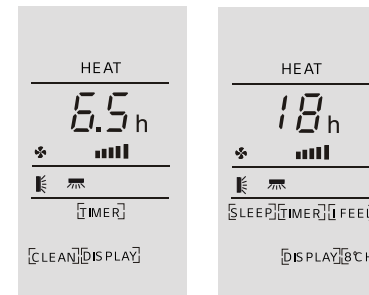
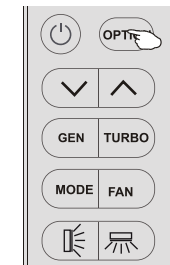
5- نقترح تشغيل هذه الخاصية كل 3 أشهر.

خاصية التدفئة عند 8 درجات مئوية "8°C" (اختيارية)

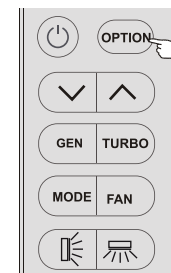


يمكن ضبطها فقط أثناء وضع التدفئة يمكن ضبط الخاصية في وضع التبريد "Cool"/التدفئة "Heat"/الوضع الجاف "Dry"/وضع المروحة "Fan"/الوضع التلقائي "Auto"، ولكن يجب عليك إيقاف تشغيل الوحدة لتفعيل هذه الخاصية.

- 1- اضغط على زر "OPTION" في المرة الأولى، ثم اختر "8°C" عن طريق الضغط على زر \wedge أو \vee حتى يضيء الرمز "8°C"، ثم اضغط على زر "OPTION" مرة أخرى لتفعيل خاصية "8°C" وستظهر علامة [8°C] على شاشة العرض.
- كرر ذلك مرة أخرى أو قم بتغيير الوضع لإلغاء تفعيل هذه الخاصية.
- 2- إذا كان جهاز التبريد في وضع الاستعداد تُمكن هذه الخاصية جهاز التبريد من بدء عملية التدفئة تلقائياً عندما تكون درجة الحرارة الداخلية مساوية أو أقل من 8 درجات مئوية وسيعود جهاز التبريد لوضع الاستعداد عندما تكون درجة الحرارة الداخلية مساوية أو أعلى من 18 درجة مئوية.



الشكل 1، تشغيل-المؤقت، الشكل 2، إيقاف-المؤقت، عند إيقاف التشغيل



وضع المروحة وليس زر المروحة

FAN

يعمل الجهاز في وضع التهوية فقط

MODE

لضبط وضع المروحة، اضغط على حتى تظهر المروحة على شاشة العرض.

لتحسين وظيفة جهاز التبريد، اضبط درجة الحرارة (1) والسرعة (2) واتجاه تدفق الهواء (3) بالضغط على الأزرار الموضحة.

الوضع التلقائي

AUTO

الوضع التلقائي

MODE

لتفعيل وضع التشغيل التلقائي "AUTO" اضغط على زر على وحدة التحكم، عن بُعد حتى يظهر رمز AUTO على شاشة العرض.

في وضع AUTO، سيتم ضبط وضع التشغيل تلقائياً وفقاً لدرجة حرارة الغرفة.

لتحسين وظيفة جهاز التبريد، اضبط درجة الحرارة (1) والسرعة (2) واتجاه تدفق الهواء (3) بالضغط على الأزرار الموضحة.

خاصية شاشة العرض (شاشة عرض داخلية)

[DISPLAY]

تشغيل/ إيقاف تشغيل شاشة العرض LED على اللوحة

اضغط على في المرة الأولى، وحدد اختيار شاشة العرض بالضغط على < أو > حتى يومض الرمز DISPLAY. اضغط على مرة أخرى لإيقاف تشغيل شاشة العرض LED وحتى يظهر الرمز [DISPLAY] على شاشة عرض وحدة التحكم عن بُعد.

قم بذلك مجدداً لتشغيل شاشة العرض LED

خاصية النوم

[SLEEP]

فتح/ قفل شاشة LED الموجودة على اللوحة

اضغط على زر "OPTION" في المرة الأولى، واختر خاصية النوم بالضغط على زر < أو > حتى يومض أمامك رمز SLEEP. اضغط على زر "OPTION" مرة أخرى خاصية النوم، وحتى يظهر الرمز [SLEEP] على شاشة العرض.

قم بذلك مجدداً لإلغاء تفعيل الخاصية.

خاصية GEN

GEN

خاصية "GEN" (اختيارية)

يعمل الجهاز على الوضع العام "GEN" من خلال الوضع العام "GEN" يمكنك اختيار المستوى الحالي للوحدة. هناك 3 مستويات (L1, L2, L3) في هذا الوضع، ويزداد المستوى الحالي تبعاً.

لتفعيل خاصية "GEN" اضغط على زر "GEN" وسيدور المستوى الحالي للوحدة كما يلي L1 - L2 - L3 - OFF

لإلغاء هذه الخاصية، اضغط على زر "GEN" حتى يظهر رمز "OFF" على شاشة العرض.

الخاصية الاقتصادية "ECO"

ECO

في هذا الوضع، يضبط الجهاز عملية التشغيل تلقائياً لتوفير استهلاك الطاقة الكهربائية.

1- اضغط على زر ON/OFF لتشغيل الجهاز واختيار وضع التبريد/ التدفئة.
2- اضغط على زر "ECO" لتشغيل الوضع الاقتصادي "ECO".
3- اضغط على زر "ECO" مرة أخرى لإلغاء تفعيل الوضع، سيختفي الرمز "ECO" من شاشة LCD.

ملاحظة:

تتوفر الخاصية الاقتصادية "ECO" في وضعي التبريد والتدفئة.

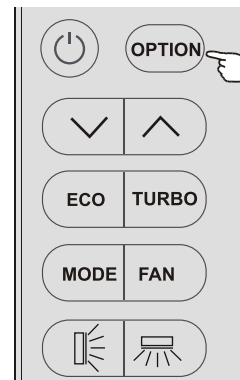
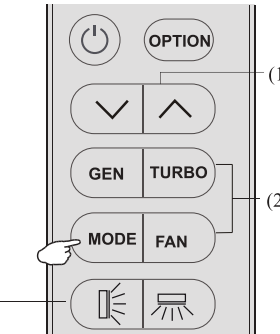
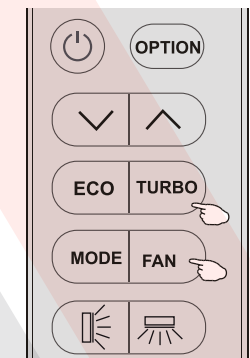
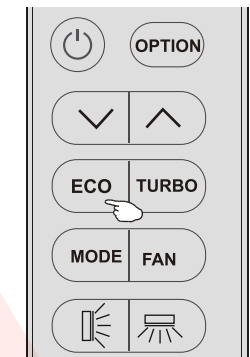
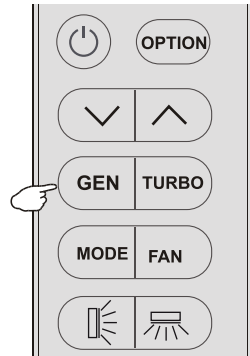
خاصية التبريد



لتفعيل خاصية التبريد، اضغط على زر "TURBO" أو على زر المروحة "FAN" حتى تظهر العلامة على الشاشة.

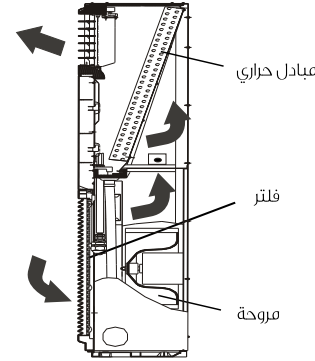
لإلغاء هذه الخاصية، اضغط على زر المروحة "FAN" للانتقال إلى سرعات مختلفة للمروحة أو اضغط على زر "TURBO" مرة أخرى.

في أي من هذه الأوضاع (تلقائي/ تدفئة/ تبريد/ مروحة)، عند اختيار خاصية التبريد فإنها تستخدم أعلى إعدادات للمروحة للحصول على تدفق هواء قوي.



يدخل الهواء الذي تمتصه المروحة من الشبكة ويمر عبر الفلتر، ثم يبرد/ تزل رطوبته أو تتم تدفئته عبر المبادل الحراري.

يتحرك الهواء من منفذه بالمحرك للأعلى والأسفل من خلال الريش، بينما يمكن تحريك الريش يدوياً لليمين واليسار عن طريق العواكس، ولكن هناك موديلات يمكن التحكم فيها بالعواكس الرأسية عن طريق المحرك أيضاً.

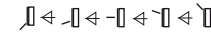


التحكم في تدفق الهواء "التأرجح" "SWING"

1- اضغط على زر لتفعيل "الريشة"

(1) إذا ضغطت على الزر خلال ثانييتين فستتم دورة التأرجح كما يلي:

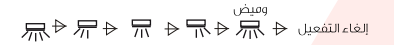
(2) عند الضغط لفترة طويلة، فإن نطاق زاوية التأرجح للريشة الأفقية سيكون كما يلي:



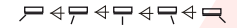
(3) إذا مر أكثر من ثانييتين دون الضغط على زر، فسيتم إلغاء التشغيل. سيتحرك تدفق الهواء بالتبادل من الأعلى للأسفل لضمان توزيع الهواء بشكل متساو في الغرفة.

2- اضغط على زر لتفعيل "العواكس" التي تعمل بالمحرك.

(1) إذا ضغطت على الزر خلال ثانييتين فستتم دورة التأرجح كما يلي:



(2) عند الضغط لفترة طويلة، فإن دورة التأرجح ستتم كما يلي:



(3) إذا مر أكثر من ثانييتين دون الضغط على زر، فسيتم إلغاء التشغيل. سيتحرك تدفق الهواء بالتبادل من اليمين إلى اليسار (خاصية اختيارية، وفقاً للموديل) يمكن تغيير وضع العواكس يدوياً وتقع تحت الريش، فهي تسمح بتدفق الهواء جهتي

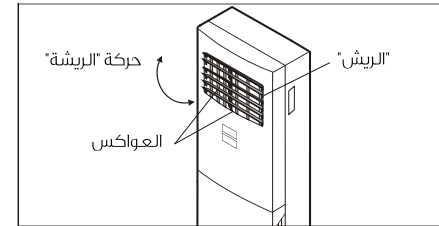
(3) إذا مر أكثر من ثانييتين دون الضغط على زر، فسيتم إلغاء التشغيل. سيتحرك تدفق الهواء بالتبادل من اليمين إلى اليسار (خاصية اختيارية، وفقاً للموديل)

يمكن تغيير وضع العواكس يدوياً وتقع تحت الريش، فهي تسمح بتدفق الهواء جهتي اليمين واليسار.

⚠ يجب إجراء هذه التعديلات أثناء إيقاف تشغيل الجهاز.

⚠ لا تغير وضع الريش يدوياً أبداً، فقد تتلف آلية عملها تماماً!

⚠ لا تدخل أي أصابع أو أعواد أو أي أجسام أخرى في منافذ دخول الهواء وخروجه، مثل هذه الاتصالات غير المقصودة بالأجسام الحية قد تؤدي إلى أضرار وأذى غير متوقع.



وضع التبريد

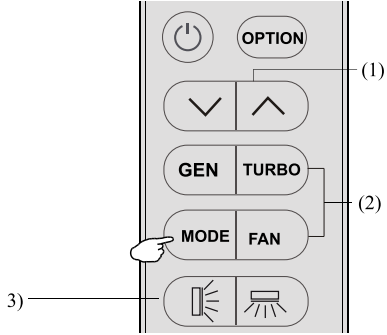
COOL تسمح هذه الخاصية للجهاز بتبريد الغرفة وتقليل رطوبة الهواء في نفس الوقت.

لتفعيل خاصية التبريد "COOL" اضغط على زر

MODE حتى يظهر رمز COOL على شاشة العرض.

تفعل خاصية التبريد عن طريق ضبط الزر أو على درجة حرارة أقل من درجة الحرارة الحالية في الغرفة.

لتحسين وظيفة جهاز التبريد، اضغط درجة الحرارة (1) والسرعة (2) واتجاه تدفق الهواء (3) بالضغط على الزر الموضح.



وضع التدفئة

HEAT تسمح هذه الخاصية بتدفئة الجهاز للغرفة.

MODE لتفعيل خاصية التدفئة "HEAT"، اضغط على زر "MODE" حتى يظهر رمز HEAT على شاشة العرض.

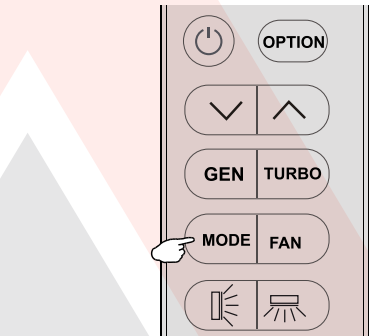
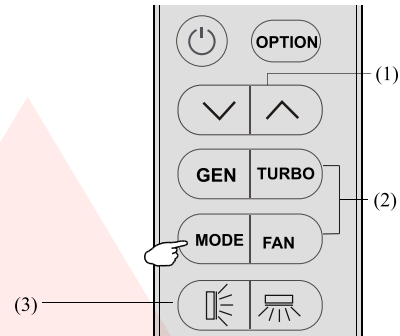
عن طريق الزر أو اضغط درجة حرارة أعلى من درجة الحرارة الحالية للغرفة. لتحسين وظيفة الجهاز، اضغط درجة الحرارة (1) والسرعة (2) واتجاه تدفق الهواء (3) بالضغط على الزر الموضح.

⚠ أثناء تشغيل خاصية التدفئة، يفعل الجهاز تلقائياً دورة إذابة الجليد فهي أساسية لإزالة الجليد عن المكثف كي يستعيد خاصية المبادل الحراري. تستمر هذه العملية عادة 1-2 دقائق. أثناء إذابة الجليد تتوقف مروحة الوحدة الداخلية عن العمل. بعد الانتهاء من إذابة الجليد، تعود الوحدة إلى وضع التدفئة تلقائياً.

الوضع الجاف

DRY تقلل هذه الخاصية من رطوبة الهواء وتجعل الغرفة أكثر استرخاءً. لضبط الوضع

MODE الجاف "DRY"، اضغط على حتى يظهر رمز DRY على شاشة العرض. يتم تفعيل خاصية تلقائية للتبديل بين دورات التبريد والمروحة.



شاشة عرض وحدة التحكم عن بُعد
معاني الرموز التي تظهر على شاشة العرض البلورية المائية LCD

رقم	الرمز	المعنى
1		مؤشر أحادي
2		مؤشر خاصية قفل الأمان للأطفال
3		مؤشر البطارية
4	AUTO	مؤشر خاصية الوضع التلقائي
5	COOL	مؤشر وضع التبريد
6	DRY	مؤشر الوضع الجاف
7	FAN	مؤشر وضع المروحة
8	HEAT	مؤشر وضع التدفئة
9	ECO	مؤشر خاصية الوضع العام
10	GEN	مؤشر خاصية الوضع العام
11	23.5 h [TIMER]	مؤشر المؤقت
12	28.5 °C	مؤشر درجة الحرارة
13	Flashing	مؤشر سرعة الموحدة تلقائي/منخفض/منخفض متوسط/متوسط مرتفع متوسط/مرتفع
14		مؤشر الوضع الصامت
15		مؤشر الوضع الفائق "SUPER"
16		مؤشر زاوية تارجم الريش
17		مؤشر زاوية تارجم العواكس
18		مؤشر تدفق هواء تبريد مريح
19		مؤشر تدفق هواء تدفئة مريح
20	[SLEEP] [TIMER] [I FEEL] [HEALTH] [MILDEW] [CLEAN] [DISPLAY] [8°C] [WIND FREE] [GEN MODE]	مؤشر الخصائص الاختيارية

ستسمع صغيراً عند الضغط على الأزرار التالية أو تحديد الخصائص الاختيارية التالية:

HEALTH (خاصية اختيارية تنشط مولد الأيونات السالبة)
[زر (تارجم لليسار/لليمين) (SWING LEFT/RIGHT)]
[خاصية اختيارية: إمداد بالهواء على نطاق واسع]

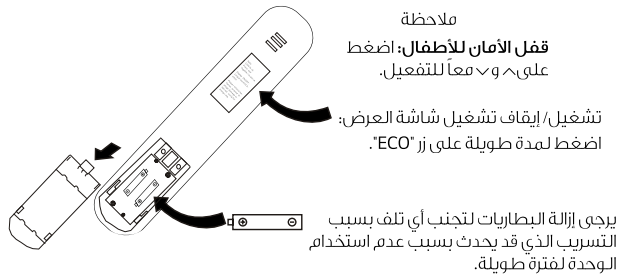
[خاصية اختيارية: (تدفق هواء تبريد مريح)]
[خاصية اختيارية: (تدفق هواء تدفئة مريح)]
[8°C] [خاصية اختيارية: 8 درجات مئوية تدفئة]

استبدال البطاريات

انزع لوحة غطاء البطارية من الجزء الخلفي لوحدة التحكم عن بعد عن طريق زلقه في اتجاه السهم.
ركب البطاريات حسب الاتجاه (+ و -) كما هو موضح على وحدة التحكم عن بعد.
اعد تركيب غطاء البطارية بزلقه إلى مكانه المخصص.

⚠ استخدم بطاريتين من النوع (1.5 AAA LRO 3 فولت). لا تستخدم البطاريات القابلة لإعادة الشحن. استبدل البطاريات القديمة بأخرى جديدة من النوع نفسه عندما تعتم شاشة العرض.

لا تتخلص من البطاريات مع النفايات المنزلية العادية؛ إذ ينبغي وضع هذه البطاريات مع النفايات الخاصة لمعالجتها بطريقة استثنائية.



⚠ عند تركيب البطاريات للمرة الأولى في وحدة التحكم عن بعد أو عند تغييرها، يمكنك برمجة وحدة التحكم عن بعد على التبريد فقط أو على التبريد والتدفئة.

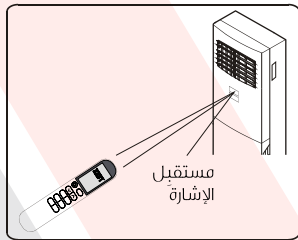
- 1- اضغط لمدة طويلة على زر الوضع "MODE" لأكثر من 5 ثوانٍ للتمكن من تغيير الوضع خلال 3 دقائق.
- 2- اضغط على زر "MODE" لتغيير وضع التبريد "COOL" أو التدفئة "HEAT".

ملاحظة: إذا ضبطت وحدة التحكم عن بُعد في وضع التبريد فقط لن تتمكن من تفعيل خاصية التدفئة في الوحدات المزودة بمضخات تدفئة. ستحتاج إلى نزع البطاريات وإعادة الإجراءات الموضحة آنفاً.

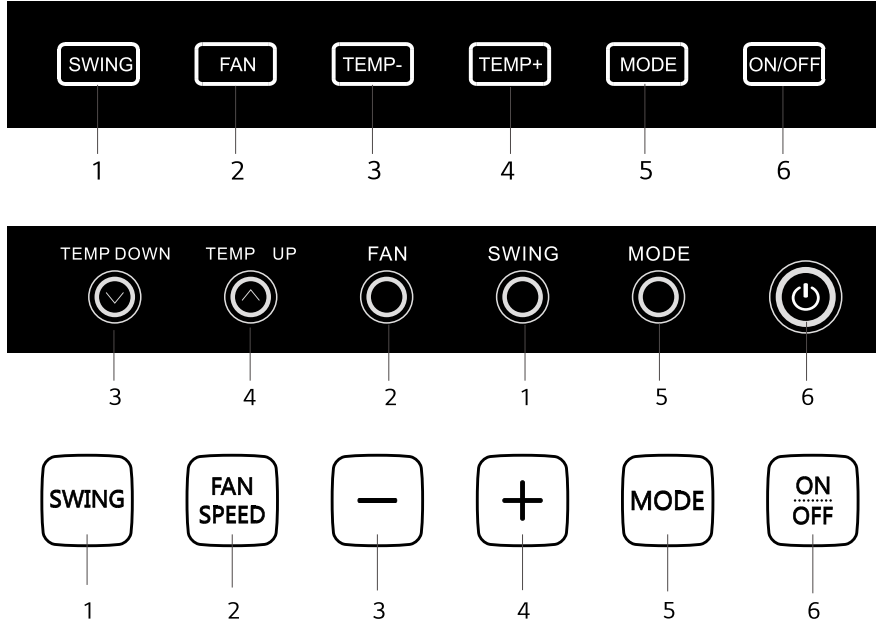
⚠ عند تركيب البطاريات للمرة الأولى في وحدة التحكم عن بعد أو عند تغييرها، يمكنك برمجة خاصية تبديل شاشة عرض درجة الحرارة بين الدرجة المئوية والفهرنهايت.

- 1- اضغط لمدة طويلة على زر الوضع "MODE" لأكثر من 5 ثوانٍ للتمكن من تغيير الوضع خلال 3 دقائق.
- 2- اضغط على زر توربو "TURBO" للتغيير بين الدرجة المئوية °C والفهرنهايت °F.

- 1- وجه وحدة التحكم عن بعد نحو الجهاز.
- 2- تأكد من عدم وجود أي أجسام تحول بين وحدة التحكم عن بعد ومستقبل الإشارة في الوحدة الداخلية.
- 3- ضع وحدة التحكم عن بعد بعيداً عن أشعة الشمس.
- 4- ضع وحدة التحكم عن بعد على مسافة أمتراً على الأقل بعيداً عن التلفاز أو أي أجهزة كهربائية أخرى.



وحدة التحكم عن بُعد

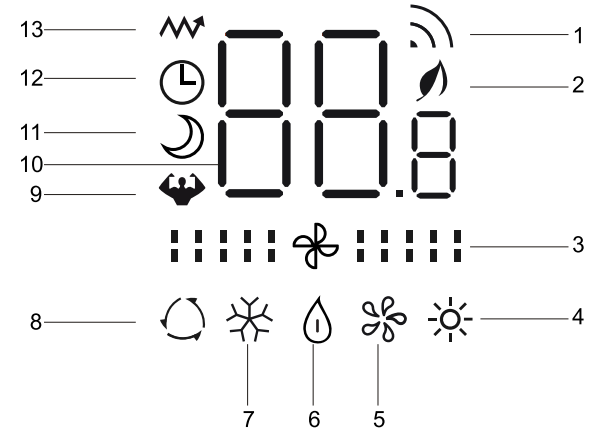


الوظيفة	الرقم	اضغط على زر
لتفعيل حركة "الريش" والعواكس أو إلغاء تفعيلها	1	SWING
لتحديد سرعة المروحة من تلقائي/منخفضة/متوسطة/عالية	2	FAN
لتقليل درجة الحرارة أو الوقت بمقدار وحدة واحدة	3	TEMP-
لزيادة درجة الحرارة أو الوقت بمقدار وحدة واحدة	4	TEMP+
لتحديد وضع التشغيل	5	MODE
لتشغيل الجهاز أو إيقاف تشغيله.	6	ON/OFF
استمر في الضغط على زر التارج "SWING" على لوحة التحكم لمدة ثلاث ثوان (حتى تسمع صوت صفارتين) ثم اضغط على زر "TEMP UP" لتفعيل "الريش" وتوجيه تدفق الهواء من الأعلى إلى الأسفل، واضغط زر "TEMP DOWN" لتفعيل "العواكس" وتوجيه تدفق الهواء من الجهة اليمنى أو الجهة اليسرى.	7	COMPOSITE BUTTON

⚠ قد يختلف شكل الزر ومكانه وفقاً للطراز، ولكن خصائصه تظل كما هي.

ملاحظة: الضغط السكوني الخارجي للمضخات الحرارية يساوي . باسكال في جميع الطرازات.

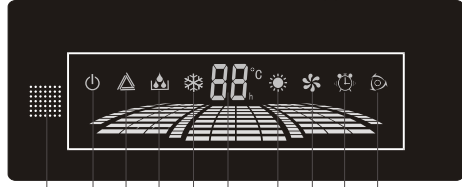
شاشة عرض الوحدة الداخلية



⚠ يختلف شكل المؤشرات وموقعها حسب الطراز، ولكن وظائفها تظل كما هي.

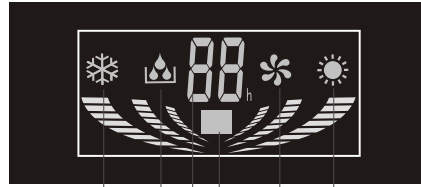
الوظيفة	LED	الرقم
مؤشر واي فاي	📶	1
مؤشر الوضع الصحي "HEALTHY"	🌿	2
مؤشر سرعة المروحة	🌀	3
يومض مؤشر التدفئة "HEATING" في دورة إزالة الصقيع وخاصة الهواء المضاد للبرودة "Anti-Cold Air"	☀️	4
مؤشر تشغيل المروحة فقط	🌀	5
مؤشر وضع إزالة الرطوبة "DEHUMIDIFYING"	💧	6
مؤشر وضع التبريد "COOLING"	❄️	7
مؤشر الوضع "FEEL"	🔄	8
مؤشر الوضع "TURBO"	🌀	9
يشير إلى درجة الحرارة المحددة بالدرجة المئوية أو بالفهرنهايت، أو يشير إلى الوقت بالساعة.	🕒	10
مؤشر وضع النوم "SLEEP"	🌙	11
مؤشر المؤقت "TIMER"	🕒	12
مؤشر سخان كهربائي (حسب الطلب)	🔥	13

شاشة عرض الوحدة الداخلية



مستقبل الإشارة

1 2 3 4 5 6 7 8 9

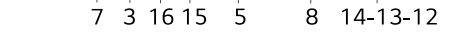


مستقبل الإشارة

4 3 5 7 6



2 4 6 17 8 18 10 11

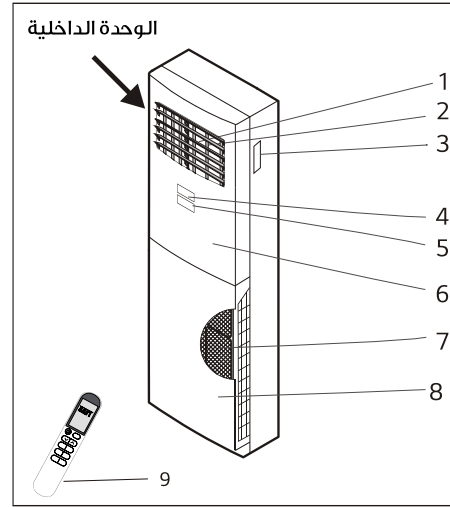


7 3 16 15 5 8 14-13-12

⚠ يختلف شكل المؤشرات وموقعها حسب الطراز، ولكن وظائفها تظل كما هي.

الوظيفة	LED	الرقم
يوضح أن الوحدة في وضع التشغيل	⏻	1
مؤشر الوضع "FEEL"	⚠	2
مؤشر وضع إزالة الرطوبة "DEHUMIDIFYING"	💧	3
مؤشر وضع التبريد "COOLING"	❄	4
يشير إلى درجة الحرارة المحددة بالدرجة المئوية أو بالفهرنهايت، أو يشير إلى الوقت بالساعة.	88°C	5
يومض مؤشر التدفئة "HEATING" في دورة إزالة الصقيع وخاصة الهواء المضاد للبرد "Anti-Cold Air"	☀	6
مؤشر تشغيل المروحة فقط	✳	7
وضع المؤقت "TIMER"	⌚	8
مؤشر الوضع الصحي "HEALTHY"	🌿	9
مؤشر الوضع الاقتصادي "ECO"	💡	10
مؤشر الوضع الفائق "SUPER"	⚡	11
مؤشر يشير إلى أن سرعة المروحة عالية	▬▬▬▬	12
مؤشر يشير إلى أن سرعة المروحة متوسطة	▬▬▬	13
مؤشر يشير إلى أن سرعة المروحة منخفضة	▬	14
مؤشر زاوية تآرجح الريشة	↶	15
مؤشر وضع النوم "SLEEP"	🌙	16
مؤشر زاوية تآرجح العواكس	↷	17
مؤشر خاصة مقاومة العفن الفطري "ANTI-MILDEW"	☀	18

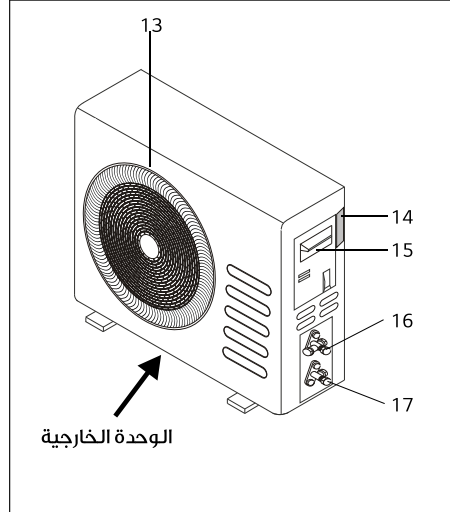
أسماء الأجزاء



الوحدة الداخلية

9

الرقم	الوصف
1	لوحات توجيه الهواء
2	حارفات تدفق الهواء
3	ملصق بيانات الوحدة الداخلية
4	شاشة عرض LED
5	لوحة تحكم باللمس
6	اللوحة الأمامية
7	فلتر الهواء
8	اللوحة الأمامية
9	وحدة التحكم عن بُعد



الوحدة الخارجية

الرقم	الوصف
11	شبكة مخرج الهواء
12	ملصق تصنيف الوحدة الخارجية
13	غطاء الوصلات الطرفية
14	صمام الغاز
15	صمام السائل

ملاحظة: صُممت الأشكال السابقة كمخطط توضيحي للجهاز، وقد لا تتوافق مع المظهر الفعلي للوحدة التي اشتريتها.

- ⚠ لا تحاول تركيب الجهاز بمفردك، اتصل دوماً بمسؤول فني مختص
- ⚠ يجب على المسؤول الفني المختص القيام بأعمال التنظيف والصيانة، في جميع الحالات، أفصل الجهاز عن مصدر الإمداد بالطاقة الكهربائية الرئيسية قبل الشروع في أي تنظيف أو صيانة.
- ⚠ تأكد من توافق الجهد الكهربائي الخاص بالموصلات الرئيسية مع الجهد المحدد في لوحة التصنيف، حافظ على نظافة المفاتيح أو قابس الطاقة، ثبت قابس الطاقة بصورة صحيحة ومحكمة في المقبس؛ لتجنب خطر حدوث صدمة كهربائية أو حريق بسبب عدم فعالية الاتصال.
- ⚠ لا تنزع القابس لإيقاف تشغيل الجهاز أثناء عمله؛ فقد يتسبب ذلك في إحداث شرر ووقوع حريق وغير ذلك.
- ⚠ ضمّم هذ الجهاز للاستخدام في المنازل، ويجب عدم استخدامه لأي غرض آخر مثل تجفيف الملابس أو تبريد الاطعمة أو أي أغراض أخرى.
- ⚠ مواد التعبئة والتغليف قابلة لإعادة التدوير؛ لذا يجب التخلص منها في سلة قمامة منفصلة. خذ الجهاز عند انتهاء عمره الافتراضي إلى مركز خاص لتجميع النفايات للتخلص منه.
- ⚠ استخدم الجهاز دائماً مع تركيب فلتر الهواء. قد يؤدي استخدام الجهاز دون فلتر الهواء إلى تراكم الأتربة والوساخ بصورة مفرطة على الأجزاء الداخلية للوحدة مع احتمالية حدوث أعطال تابعة لذلك.
- ⚠ يتولى المستخدم مسؤولية تركيب الجهاز على يد فني مؤهل والذي يجب عليه بدوره التحقق من تأريض الجهاز وفقاً للوائح الحالية وتركيب قاطع دائرة حراري مغناطيسي.
- ⚠ يجب إعادة تدوير بطاريات وحدة التحكم عن بُعد أو التخلص منها بطريقة مناسبة.
- ⚠ التخلص من البطاريات المستفدّة - يُرجى التخلص من البطاريات بصفتها نفايات محلية مصنفة في نقطة التجميع المخصصة لها.

- ⚠ احرص على عدم طي أسلاك الطاقة أو شدّها أو كسبها تجنباً لإتلافها. تحدث الصدمات الكهربائية أو الحرائق في الغالب بسبب تلف أسلاك الطاقة. يجب أن يقوم الفني المختص -فقط- باستبدال سلك الطاقة التالف.
- ⚠ لا تستخدم مهاييع تطويل الوصلة أو وحدات تثبيت مفاتيح الكهرباء.
- ⚠ لا تلمس الجهاز وأنت حافيي القدمين أو كان أي جزء من جسمك مبتلاً أو رطباً.
- ⚠ لا تسد منافذ الهواء الداخل أو الخارج للوحدتين الداخلية والخارجية؛ فإن سد هذه الفتحات يقلل من الكفاءة التشغيلية للجهاز، وقد يؤدي إلى حدوث أعطال أو تلفيات.
- ⚠ لا تحاول أبداً تعديل خصائص هذا الجهاز.
- ⚠ لا تُركّب الجهاز في البيئات التي يحتوي فيها الهواء على غازات أو زيوت أو كبريت أو يقرب أي مصادر حرارة.
- ⚠ هذه الوحدة غير معدة للاستخدام من قبل أشخاص (بما في ذلك الأطفال) لديهم قدرات بدنية أو حسية أو عقلية محدودة أو تنقصهم الخبرة والمعرفة، عند عدم مراقبتهم وتوجيه الإرشادات إليهم بخصوص استخدام هذه الوحدة من قبل الشخص المسؤول عن سلامتهم.
- ⚠ لا تتسلق فوق الجهاز أو تضع أي أجسام ثقيلة أو ساخنة أعلاه.
- ⚠ لا تترك النوافذ أو الابواب مفتوحة لمدة طويلة أثناء تشغيل الجهاز.
- ⚠ لا توجّه تيار الهواء نحو النباتات أو الحيوانات.
- ⚠ التعرض لمدة طويلة لتيار الهواء البارد الخارج من الجهاز له آثار سلبية على النباتات والحيوانات.
- ⚠ لا تدع الجهاز يلامس المياه.
- ⚠ قد يتلف العزل الكهربائي؛ مما يتسبب في حدوث صعق كهربائي.
- ⚠ لا تضع أي أجسام على الوحدة الخارجية.
- ⚠ لا تُدخّل عصا أو ما شابه ذلك داخل الجهاز؛ فقد يتسبب ذلك في حدوث إصابة.
- ⚠ يجب مراقبة الأطفال؛ لضمان عدم عبثهم بالوحدة. في حال تلف سلك الطاقة، يجب استبداله من خلال جهة التصنيع أو وكيل الخدمة التابع لها أو أشخاص مؤهلين بنفس مستوى الكفاءة لتجنب أي مخاطر.

1	احتياطات السلامة
4	أسماء الأجزاء
5	شاشة عرض الوحدة الداخلية
7	لوحة التحكم بالوحدة الداخلية
8	وحدة التحكم عن بُعد
12	تعليمات التشغيل
18	الحماية
19	دليل التركيب
28	الصيانة
29	اكتشاف الأعطال وإصلاحها

- ⚠️ لا تُركَّب الجهاز على بُعد يقل عن 50 سم من أي مواد قابلة للاشتعال (الكحول، غير ذلك) أو من أي حاويات مضغوطة (مثل عبوات البخاخات).
- ⚠️ إذا استُخدم الجهاز في مناطق لا يوجد بها تهوية، فيجب اتخاذ التدابير الاحتياطية لمنع بقاء أي تسريبات لغاز التبريد داخل هذه المنطقة ومن ثم التسبب في خطر حدوث حريق.
- ⚠️ مواد التعبئة والتغليف قابلة لإعادة التدوير؛ لذا يجب التخلص منها في سلة قمامة منفصلة. خذ الجهاز عند انتهاء عمره الافتراضي إلى مركز خاص لتجميع النفايات للتخلص منه.
- ⚠️ التزم باستخدام الجهاز وفقاً للتعليمات الموضحة في الكتيب. لا تغطي هذه التعليمات جميع الحالات والمواقف المحتملة؛ لهذا يُوصى دائماً باتخاذ الحيطة والحذر مع أي أجهزة كهربائية منزلية أثناء تركيبها وتشغيلها وصيانتها.
- ⚠️ يجب تركيب الجهاز بما يتوافق مع المعايير المحلية المعمول بها.
- ⚠️ قبل الوصول إلى النمايات الطرفية، يجب فصل جميع الدوائر الكهربائية من مصدر الطاقة.
- ⚠️ يجب تركيب الجهاز بما يتوافق مع المعايير والقوانين المحلية الخاصة بالأسلاك.
- ⚠️ يمكن للأطفال الذين يبلغون من العمر 8 سنوات أو أكثر، والأشخاص الذي يعانون من اضطرابات في القدرات البدنية أو الحسية أو العقلية، والأشخاص قليلي الخبرة والمعرفة استخدام هذا الجهاز تحت إشراف غيرهم، أو إعطائهم التعليمات المتعلقة باستخدام الجهاز على نحو آمن وإيضاح المخاطر التي ينطوي عليها استخدام الجهاز. يجب على الأطفال عدم العبث بالجهاز. لا يُسمح للأطفال بتنظيف الجهاز أو صيانتها دون إشراف.
- ⚠️ اقرأ هذا الدليل قبل تركيب الجهاز واستخدامه.
- ⚠️ أثناء تركيب الوحدة الداخلية والخارجية، يُمنع دخول الأطفال إلى منطقة العمل.
- ⚠️ قد تقع حوادث غير متوقعة.
- ⚠️ تأكد من تثبيت قاعدة الوحدة الخارجية بإحكام.
- ⚠️ تأكد من منع دخول الهواء إلى نظام وسيط التبريد وتحقق من عدم وجود أي تسرب في وسيط التبريد عند نقل الجهاز.
- ⚠️ تصنيف المُصنِّع المُركَّب في وحدة التحكم المُدمجة T5A / 250 فولت.
- ⚠️ أجر دورة اختبار بعد تركيب الجهاز، وسجِّل بيانات التشغيل.
- ⚠️ يجب على المستخدم حماية الوحدة الداخلية بمصهر ذي سعة مناسبة؛ لتحمل أقصى تيار داخل أو باستخدام أي جهاز حماية من الحمل الزائد.
- ⚠️ تأكد من تناسب الجهد الكهربائي الخاص بالموصلات الرئيسية مع الجهد المحدد في لوحة التصنيف. حافظ على نظافة المفاتيح أو قابس الطاقة. ثبت قابس الطاقة بصورة صحيحة وفحكمة في المقبس؛ لتجنب خطر حدوث صدمة كهربائية أو حريق بسبب عدم فاعلية الاتصال.
- ⚠️ تأكد من مناسبة المقبس للمقابس، وإن لم يكن كذلك فغير المقبس.
- ⚠️ يجب تجهيز الوحدة بوسائل لفصلها عن مصدر الكهرباء الرئيسي مع وجود وسيلة فصل في جميع الاقصاب التي تتيح إمكانية الفصل في حالة زيادة الجهد الكهربائي وفقاً لشروط الفئة الثالثة، كما ينبغي دمج هذه الوسائل بالتوصيلات الثابتة وفقاً لقواعد توصيلات الأسلاك.

تماشياً مع سياسة الشركة للتحسين المستمر للمنتج، قد يتم تغيير المظهر الجمالي للجهاز وأبعاده والبيانات الفنية والملحقات الخاصة به دون إشعار مسبق.