



# صانعة الشاي الكهربائية

# Electric Tea Maker

## دليل المستخدم

## User's Manual

الموديل:

TEA15GW ▲

Model:

▲ TEA15GW

الرجاء قراءة هذا الدليل بعناية قبل تشغيل الجهاز،  
و احتفظ به للرجوع إليه مستقبلاً.

هذه التصاميم و المواصفات عرضة للتغيير بهدف إدخال تحسينات عليها  
و ذلك دون إشعار مسبق.

Please read this manual carefully before operating your set.  
Retain it for future reference.

Designs and specifications are subject to change for improvement  
without prior notice.

ISO9001 CB

ISO9001 CB





**Model: TEA15GW**

## Important Safety Instructions

### ● Special Notes

Basic safety precautions should always be followed to ensure safe use and avoid injury and/or property loss to user and others.

Any misuse that violates the security warnings may lead to accident. Conditions unconsidered:

- The appliance is used by unsupervised children or the disabled
- The appliance is played with by children

### ! Mandatory Contents

- This appliance is not intended for use by persons (including children) with reduced physical, sensory or mental capabilities, or lack of experience and knowledge, unless they have been given supervision or instruction concerning use of the appliance by a person responsible for their safety. Children should be supervised to ensure that they do not play with the appliance.
- Please disconnect the power supply when the electric kettle is empty, filling water, not in use, cleaning or transporting the kettle or kettle is not functioning.
- Do not use this product on a tilted or unstable surface; keep away from heat sources to avoid damage to plastic parts, not place onto or near other electrical appliances.
- The kettle requires a separate ground outlet with 10A rated current and 220-240V rated voltage or above. Do not use universal outlet and in conjunction with other electrical appliances.
- If the power cord is damaged, it must be replaced by the manufacturer, the authorized service center, or a specialized technician.
- The electric kettle should be used in conjunction with the power base. Do not use with other power base.
- Please remove the electric kettle from the base before adding water. The water stains on the bottom of the electric kettle must be wiped before placing it on the power base.
- Do not place kettle near to the stove, in order to avoid accidental ignition by fire.
- Please do not realize adaption by using a low quality socket to avoid the risk of fire.

## ⊘ Mandatory Contents

- To avoid accidents, do not immerse the electric kettle, power cord, power plug or power base into water or other liquids.
- Always use the safety handle while operating, do not touch the hot kettle body or the hot steam overflowing from the kettle and kettle spout. Please cover the kettle lid when boiling water. Do not open the lid during boiling to avoid burns.
- Do not use other extension power cords when servicing, and do not use unauthorized parts that are not provided by the manufacturer.
- In case of any damage to the electric kettle, please send the product to the authorized service centre for servicing. Users shall not conduct any form of repairing.  
Note: Do not disassemble the kettle bottom lid or power base by yourself.
- Do not hang the power cord at the table corner or touch the high temperature surface. When the electric kettle is not in use for a long period of time, store the power cord in the cable compartment of the power base.
- To avoid any electrical shock injury, do not insert pins, wires or other objects into the gap or opening of the electric kettle and base.

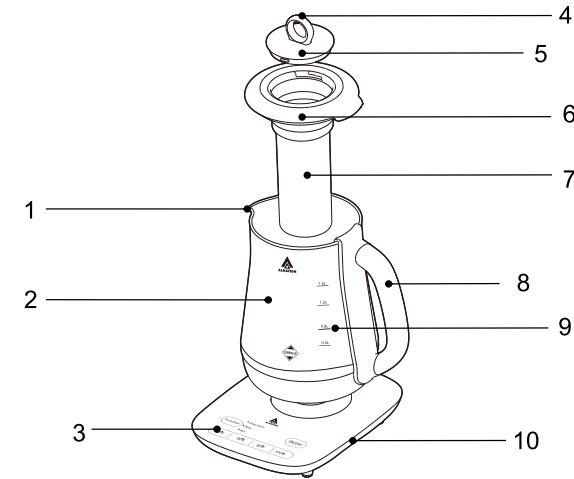
## ⚠ Items that may cause casualties

- Do not operate this product unattended.
- Note: Make sure to switch off the power button before removing the electric kettle from the base.
- The surface for placing the product shall be cleaned and removed oil stain regularly.
- Please keep the best distance between this product and other kitchen appliances to be more than 30cm.

1. This appliance is intended to be used in household and – staff kitchen areas in shops, offices and other working environments; – farm houses; – by clients in hotels, motels and other residential type environments; – bed and breakfast type environments.
2. Appliance is only to be used with the stand provided.
3. Warning: avoid spillage on the connector.
4. Warning: misuse may cause potential injury.
5. Warning: the heating element surface is subject to residual heat after use.

## Product parameters and component names Please follow up the material object

### ● Product parameters and component names



1	Kettle spout	8	Safety handle
2	Kettle body	9	Water scale
3	Operation panel	10	Power base
4	Handle		
5	Feeding lid		
6	Kettle lid		
7	Tea strainer		



1. The picture above is for reference only, as appearance varies among products. The product is subject to the real object.
2. This product is subject to any technical improvement which will be incorporated into the new version of this manual in the future without the prior notice.

### ● Icon description on product entities



Do not shower.



Please do not discard this product as general garbage! Users should dispose this product separately from household waste after the end of the product's shelf life; collection and disposal by product classification will help conserve natural resources and reduce environmental pollution. Please dispose electrical and electronic waste products in accordance to the disposal methods stated in your area.

## ● Button function description



1. Function button- select operation mode
  - a. "Keep warm" indicator lamp- maintain the mode of set water temperature
  - b. "Stew" indicator lamp- simmer/soaking mode
  - c. "Boil" indicator lamp- boiling/ "water bath" mode
2. "ON/OFF" button- opening/ closing of electric kettle
3. "40 C" button- heat the water to 40 C
4. "80 C" button- heat the water to 80 C
5. "90 C" button- heat the water to 90 C
6. "100 C" button- boil the water

## ● Product Parameter

Model	Volume	Voltage frequency	Rated power
TEA15GW	1.5L	220-240V ~ 50/60Hz	1000-1200W

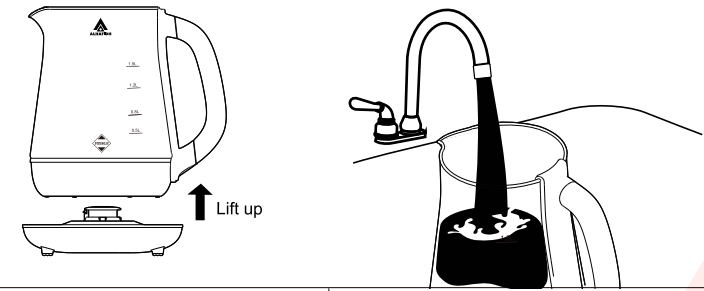
## Instructions for use

### ● Basic operational steps



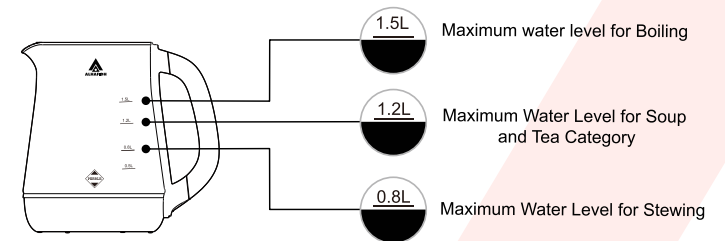
#### Tips

1. Before the first use or after a long period of storage, water should be added to the maximum water level and boil it 1 to 2 times to clean the internal of the kettle body.  
The hot water is not suitable for drinking!
2. In the process of boiling water, please take note that the kettle spout is hot.
3. After the product completes working, water cannot be added to the kettle during the heat preservation process.
4. When there is food in this product and in the stew pot, do not straight away put it in the fridge for refrigeration, then take it out for immediate heating so as to avoid damaging the glass.

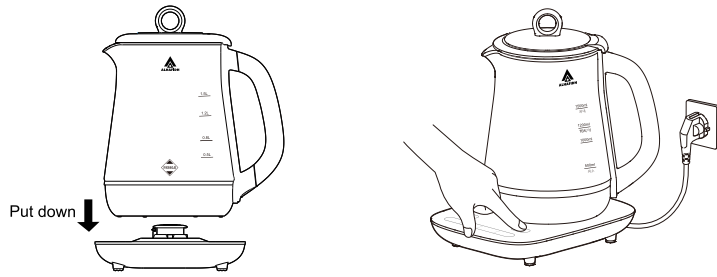


① Move the kettle away from the power base.

② Open the kettle lid and add fresh water into the kettle.



③ Be careful not to exceed the maximum water level of the corresponding function, at the same time, adding water cannot be lower than the minimum water level, so as to avoid dry-burning.



4 Cover the lid, put the kettle on the power base, and make sure the contact between kettle and base is good.

5 Turn on the power. All indicator lights are on for 1 second, the kettle enters off mode after the "beep".



6 Press "function" button to choose the corresponding three advanced functions, the other four functions can be directly selected by pressing the corresponding function buttons.

7 Press "on/off" button. The machine will start the work after "ON/OFF" button is pressed

## ● Boil-dry protection

Double anti-dry burning protection function:

1. When the kettle is heated in the anhydrous state, the double anti-dry burning protection function will automatically stop the heating and prevent the kettle from being damaged.
2. When the above situation occurs, please unplug the power cord from the socket and wait until the kettle cools down naturally before using it normally (Do not cool the kettle with cold water directly to avoid shortening the life span of the heating system).

## ● Functional specification

In standby mode, choose "function" button to select 3 advanced functions or select other functions directly, Corresponding indicator lamps of functions will be lit, and the machine will enter the work state of corresponding menu after "ON/OFF" button is pressed. After the work is completed, the product automatically enters the mode of keeping warm.

### Functions and logic Instructions

#### ■ Boil :

1. "ON/OFF" button is pressed under the standby state, the equipment will give a prompt sound, and words of 100 °C on the display screen will be flickered for 3 seconds, then, the display screen will be switched to the mode displaying the current water temperature in the kettle.
2. The boiling process will be started, the indicator lamp of 100 °C will be flickered, and the indicator lamp of "ON/OFF" will be normally on.
3. After the water is boiled, three prompt sounds will be sent, the indicator lamp of "ON/OFF" button will be off, and the kettle will enter off mode.
4. If the boiling process needs to be interrupted, please press "ON/OFF" button again. The kettle will enter off mode when the indicator lamp of the button is off.

#### ■ Keep warm :

1. 40 °C, 80 °C or 90 °C button is pressed under standby state, and the equipment will send prompt sound, the indicator lamp of the button of selected temperature will be lit, and the display screen will display the current water temperature in the kettle.
2. "Keep warm" mode is selected by using "Function" button, and the indicator lamp of this mode will be normally on.
3. The display screen will display the selected heating temperature within 3 seconds after "ON/OFF" button is pressed, then, the display screen will be switched to the mode displaying the current water temperature in the kettle. After the heating process is started, the indicator lamp of the button of selected temperature will be flickered, and the indicator lamp of "ON/OFF" button will be normally on.
4. After the heating is finished, this mode will be started automatically, and the selected water temperature will be maintained: 40 °C - 2 hours; 80 and 90 °C - 1 hour.

If the temperature is reduced to below the selected value, the heating element will be started automatically. Under this mode, the indicator lamps of "ON/OFF" button and "Keep warm (heat preservation)" mode will be normally on, and the indicator lamp of the button of the selected heating temperature will be flickered, the display screen will display the current water temperature in the kettle.

5. If the "Heating" mode needs to be closed, please press "ON/OFF" button, the equipment will send prompt sound, the indicator lamp on the base will be off, and the equipment will enter off mode.
6. When this mode is finished, three prompt sounds will be sent, and the equipment will enter off mode.

## Functions and logic Instructions

### ■Stew :

1. Water is filled in the kettle until the scale of 0.8L is reached.
2. The kettle lid is covered tightly.
3. "Stew" mode is selected by using "Function" button, and the indicator lamp of this mode will be normally on.
4. The heating process is started after "ON/OFF" button is pressed, the indicator lamp of "ON/OFF" is normally on, and the display screen will display the current water temperature in the kettle.
5. The electric kettle will heat the water to 85 °C, and maintain such temperature for 90 minutes; the display screen will display the minute countdown (1:30, 1:29, 1:28...).
6. If "Stew" mode needs to be interrupted, please press "ON/OFF" button, the indicator lamp on the base is off, and the equipment will enter off mode.
7. When this mode is finished, three prompt sounds will be sent, and the equipment will enter off mode.


### ■Boil :

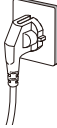
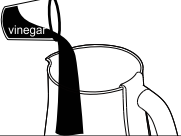




1. Water is filled in the kettle until the scale of 0.8L is reached.
2. The kettle lid is covered tightly.
3. "Boil" mode is selected by using "Function" button, and the indicator lamp of the mode will be normally on.
4. The heating process is started after "ON/OFF" button is pressed, the indicator lamp of "ON/OFF" is normally on, and the display screen will display the current water temperature in the kettle.
5. Within 55 minutes after the water is boiled, the kettle will maintain the temperature of 100 °C, and the display screen will display the minute countdown (0:55, 0:54, 0:53...).
6. Within 2 hours after the countdown is finished, the kettle will maintain the temperature of 55 °C, and the display screen will display the current water temperature in the kettle.
7. If "Boil" mode needs to be interrupted, please press "ON/OFF" button, the indicator lamp on the base is off, and the equipment will enter off mode.
8. When this mode is finished, three prompt sounds will be sent, and the equipment will enter off mode.

### ■pick up body :

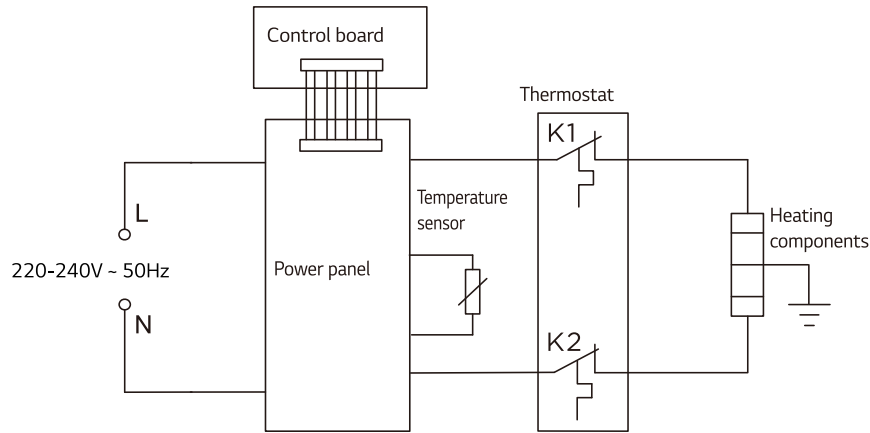
- a、 pick up kettle body, all indicators off. Digital tube indicate "----".
- b、 put body back, back to work with previous mode.
- c、 body leave base after 2 mins, sound 1 bee, all lights off.

Cleaning and maintenance | Make sure that the power supply plug is pulled out of the socket before cleaning!

	<ol style="list-style-type: none"> <li>1. Before cleaning, please ensure the power has been disconnected and the Kettle body has been cooled down.</li> <li>2. In order to prolong the life span of the electric kettle, please clean the residue in the pot regularly.</li> <li>3. If the water scale or odour is serious, please repeat the cleaning operation.</li> <li>4. For prolonged storage, please unplug the power from the outlet, and apply necessary moisture, dust and pest prevention methods.</li> <li>5. Do not use steel balls, chemical or powdering detergent to clean the exterior.</li> </ol>
Tips	

	
<b>1</b> Unplug the power cord.	<b>2</b> Pour 0.5L white vinegar and soak for more than 1 hour.
	
<b>3</b> Pour away the white vinegar from the kettle and wipe the residue with a damp cloth.	<b>4</b> Add water and boil, pour away the boiled water from the kettle and rinse 4-5 times with clean water.
	
<b>5</b> Clean the outside of the kettle body with a dry cloth.	<b>6</b> Place in a dry and ventilated place and carry out dust, moisture and insect prevention procedures.

Circuit Schematic (The schematic is subject to change without notice).



Environmental Protection List

Names and Contents of Toxic and Hazardous Substances in the Product

Part name	Toxic and Hazardous Substances or Elements					
	Pb (Pb)	Hg (Hg)	Cd (Cd)	Hexavalent Chromium (Cr(VI))	Poly Brominated Bisphenyls (PBB)	Polybrominated Diphenyl Ethers (PBDE)
Kettle lid	0	0	0	0	0	0
Kettle body assembly	0	0	0	0	0	0
Heating components	0	0	0	0	0	0
Bottom lid assembly	0	0	0	0	0	0
Upper lid	0	0	0	0	0	0
PCB	X	0	0	0	X	X
Bottom housing	0	0	0	0	0	0
Power cord	X	0	0	0	X	X

This table was prepared in accordance with SJ/T 11364.  
 O: represents that the content of the hazardous substance in all homogeneous materials of the part is below the limit specified in GB/T26572.  
 X: indicates that the content of hazardous substances in at least one of the homogeneous materials of this component exceeds the limit prescribed in GB/T26572.

Malfunction display

If alarm sounds appear during the operating process, letters and numbers appear in the display at the same time. Please take measures in according to the below table. If the problem persists or other problem occurs, please contact our Customer Service Center.

Display	Reason explanation	Suggestions
ERR	The sensor detection temperature is more than 110°C	After cooling, turn on the electricity and try to boil water, if the failure cannot be eliminated, send to aftersales service point for maintenance.
----	Open circuit of sensor	Check whether the kettle body is placed in position or send to aftersales service point for maintenance
E2	Short circuit of sensor	Send to after-sales service point for maintenance
E4	Overloading signal abnormality	Send to after-sales service point for maintenance

● Fault analysis and treatment

Fault	Analysis of possible causes	Counter measure
Indicator is off	The plug is not plugged in properly	Check the plug
	Indicator light wire loose	Send to after -sales service point for maintenance
	Indicator light spoiled	Send to after - sales service point for maintenance
Not heating	The On/Off button is not pressed in place	Press in place according to instructions
	Heating pipe is damaged	Send to after - sales service point for maintenance
	Temperature controller is damaged	Send to after - sales service point for maintenance
Water is boiled but power doesn't switch off	The lid pot is not in place	Close the lid in place
	Appliance breakdown	Send to after - sales service point for maintenance
The power switches off, but the water is not boiling (early switch off)	Water scale is too thick at bottom of pot	Clean the water scale
	Appliance breakdown	Send to after - sales service point for maintenance

The production date is shown as the first 6 numbers of the batch number (MM / DD/YYYY)



#### Statement

All contents of this manual have been carefully checked. In case of any printing errors and omissions or any resulting misunderstanding, please consult us. This product is subject to any technical improvement which will be incorporated into the new version of this manual in the future without the prior notice. The appearance and colour of the product may change from time to time, please refer to the actual product.

يظهر تاريخ الإنتاج في أول 6 أرقام من رقم الدفعة (شهر/ يوم/ سنة)



#### توضيح

تم مراجعة جميع محتويات هذا الدليل بعناية. إذا كانت هناك أي أخطاء طباعية أو سهو أو سوء فهم، يرجى التواصل معنا مباشرة. قد يخضع هذا الجهاز لأي تحسين تقني يُدمج في الإصدار الجديد من هذا الدليل مستقبلاً دون إشعار مسبق. قد يختلف مظهر الجهاز ولونه؛ يرجى اعتماد المنتج الفعلي.



## مؤشر العطل

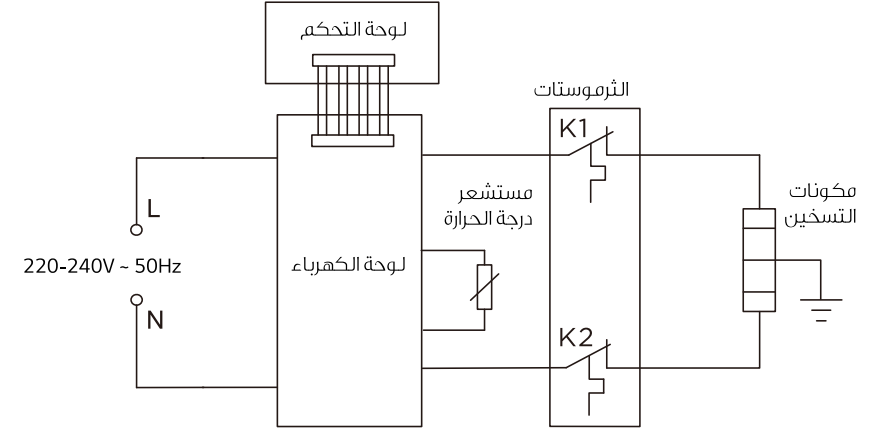
عند صدور أصوات التنبيه أثناء عملية التشغيل، تظهر الأحرف والأرقام على الشاشة في الوقت نفسه. يرجى اتخاذ الإجراءات اللازمة وفقاً للجدول فيما يلي، إذا استمرت المشكلة أو حدثت مشكلة أخرى، يرجى الاتصال بمركز خدمة العملاء.

المؤشر	تفسير السبب	الاقتراحات
ERR	درجة حرارة الكشف عن المستشعر أكثر من 110 درجة مئوية للصيانة.	بعد التبريد، وُضِل الكهرباء وحاول غلي الماء. إذا تعذر القضاء على العطل، تواصل مع مركز خدمة ما بعد البيع للصيانة.
----	دائرة المستشعر مفتوحة	تحقق مما إذا كان جسم الغلاية في موضعه أو تواصل مع مركز خدمة ما بعد البيع للصيانة.
E2	قصر دائرة المستشعر	تواصل مع مركز خدمة ما بعد البيع للصيانة.
E4	خلل في إشارة الحمل الزائد	تواصل مع مركز خدمة ما بعد البيع للصيانة.

## ● استكشاف الأعطال وإصلاحها

العطل	الأسباب المحتملة	الإجراءات المقترحة
المؤشر منطفيئ	القابس غير موصل بشكل صحيح.	تحقق من القابس.
	سلك ضوء المؤشر مرتخ	تواصل مع مركز خدمة ما بعد البيع للصيانة.
	ضوء المؤشر تالف	تواصل مع مركز خدمة ما بعد البيع للصيانة.
لا يوجد تسخين	لا يجري الضغط على زر التشغيل/ الإيقاف بشكل صحيح	اضغط في المكان الصحيح حسب التعليمات
	أنبوب التسخين تالف	تواصل مع مركز خدمة ما بعد البيع للصيانة.
الماء يغلي لكن الكهرباء لا تفصل	وحدة التحكم في درجة الحرارة تالفة	تواصل مع مركز خدمة ما بعد البيع للصيانة.
	وعاء الغطاء ليس في مكانه	أغلق الغطاء في مكانه
الكهرباء تفصل، لكن الماء لا يغلي (إيقاف التشغيل المبكر)	عطل الجهاز	تواصل مع مركز خدمة ما بعد البيع للصيانة.
	مقياس الماء سميك جداً في قاع الوعاء	نظف مقياس الماء
عطل الجهاز	تواصل مع مركز خدمة ما بعد البيع للصيانة.	

## مخطط الدائرة الكهربائية (يخضع المخطط للتغيير دون إشعار مسبق).



## قائمة الحماية البيئية

أسماء ومحتويات المواد السامة والخطرة في الجهاز

اسم الجزء	المواد أو العناصر السامة والخطرة					
	الرصاص (Pb)	الزئبق (Hg)	الكاديوم (Cd)	الكروم السداسي التكافؤ (Cr(VI))	ثنائي الفينيل متعدد اليوم (PBDE)	ثنائي الفينيل متعدد اليوم (PBB)
غطاء الغلاية	0	0	0	0	0	0
مجموعة جسم الغلاية	0	0	0	0	0	0
مكونات التسخين	0	0	0	0	0	0
مجموعة الغطاء السفلي	0	0	0	0	0	0
الغطاء العلوي	0	0	0	0	0	0
لوحة الدوائر المطبوعة (PCB)	X	0	0	0	X	X
الهيكل السفلي	0	0	0	0	0	0
سلك الكهرباء	X	0	0	0	X	X

تم إعداد هذا الجدول طبقاً للمعيار الصيني SJ/T 11364.  
 0: يشير إلى أن محتوى المادة الخطرة الموجودة في جميع المواد المتجانسة لهذا الجزء تقل عن الحد الأقصى المطلوب في GB/T26572.  
 X: يشير إلى أن محتوى المادة الخطرة الموجودة في واحدة على الأقل من المواد المتجانسة لهذا المكون أعلى من المتطلبات المحددة في GB/T26572.

## الوظائف والتعليمات لطراز

### ■ الطهي البطيء:

1. املاً الغلاية بالماء حتى بلوغ مقياس 0.8 لتر.
2. اقل غطاء الغلاية بإحكام.
3. حدد وضع "الطهي البطيء" باستخدام زر "الوظيفة"، ويضيء المؤشر في هذا الوضع بشكل طبيعي.
4. تبدأ عملية التسخين بعد الضغط على زر "إيقاف / إيقاف"، ويضيء مؤشر "تشغيل / إيقاف" بشكل طبيعي وتعرض شاشة العرض درجة حرارة الماء الحالية في الغلاية.
5. سخن الغلاية الكهربائية الماء حتى 85 درجة مئوية، وتحافظ على درجة الحرارة هذه لمدة 90 دقيقة؛ ستعرض شاشة العرض العد التنازلي للدقائق (1:30، 1:29، 1:28، ...).
6. إذا كانت هناك حاجة لإيقاف وضع "الطهي البطيء"، يرجى الضغط على زر "إيقاف / إيقاف" وسينطفئ مصباح المؤشر الموجود على القاعدة ويدخل الجهاز في وضع إيقاف التشغيل.
7. عند الانتهاء من هذا الوضع، تصدر ثلاثة أصوات فورية ويدخل الجهاز في وضع إيقاف التشغيل.

### ■ الغليان:

1. املاً الغلاية بالماء حتى بلوغ مقياس 0.8 لتر.
2. اقل غطاء الغلاية بإحكام.
3. حدد وضع "الغليان" باستخدام زر "الوظيفة"، ويضيء المؤشر في هذا الوضع بشكل طبيعي.
4. تبدأ عملية التسخين بعد الضغط على زر "تشغيل / إيقاف"، ويضيء مؤشر "تشغيل / إيقاف" بشكل طبيعي وتعرض شاشة العرض درجة حرارة الماء الحالية في الغلاية.
5. خلال 55 دقيقة بعد غليان الماء، تحافظ الغلاية على درجة حرارة 100 درجة مئوية وتعرض شاشة العرض العد التنازلي للدقائق (0:55، 0:54، 0:53، ...).
6. في غضون ساعتين بعد انتهاء العد التنازلي، ستحافظ الغلاية على درجة حرارة 55 درجة مئوية وتعرض شاشة العرض درجة حرارة الماء الحالية في الغلاية.
7. إذا كانت هناك حاجة لإيقاف وضع "الغليان"، يرجى الضغط على زر "تشغيل / إيقاف" وسينطفئ مصباح المؤشر الموجود على القاعدة ويدخل الجهاز في وضع إيقاف التشغيل.
8. عند الانتهاء من هذا الوضع، تصدر ثلاثة أصوات فورية ويدخل الجهاز في وضع إيقاف التشغيل.

### ■ رفع جسم الغلاية:

- (أ) عند رفع جسم الغلاية، تنطفئ جميع المؤشرات. يظهر الأنبوب الرقمي "----"
- (ب) عند إعادة الجسم، تعمل الغلاية في الوضع السابق.
- (ج) عند رفع الجسم عن القاعدة بعد دقيقتين، يصدر صوت صفارة واحدة وتنطفئ كل الأضواء.

## التنظيف والصيانة | تأكد من سحب قابس مصدر الطاقة من المقبس قبل التنظيف!



1. قبل التنظيف، يرجى التأكد من فصل الطاقة وبرودة جسم الغلاية.
2. من أجل إطالة عمر الغلاية الكهربائية، يرجى تنظيف البقايا الموجودة في الوعاء بانتظام.
3. إذا كان مقياس الماء غير نظيف أو رائحته شديدة، يرجى إعادة عملية التنظيف.
4. للتخزين المطول، يرجى فصل الطاقة من المنفذ وتطبيق الإجراءات اللازمة للحماية من الرطوبة والغبار والآفات.
5. يُحظر استخدام اسفنجة التنظيف السلكية المعدنية أو المواد الكيميائية أو مسحوق التنظيف لتنظيف السطح الخارجي.

### تلميحات

	
2 صب 0.5 لتر من الخل الأبيض واتركه لأكثر من ساعة.	1 افصل سلك الكهرباء.
	
4 أضف الماء واتركه يغلي، وفرغ الماء المغلي من الغلاية واشطفها 4-5 مرات بالماء النظيف.	3 فرغ الخل الأبيض من الغلاية وامسح البقايا باستخدام قطعة قماش مبللة.
	
6 ضعها في مكان جاف وجيد التهوية واتخذ إجراءات الوقاية من الغبار والرطوبة والحشرات.	5 نظف الجزء الخارجي من جسم الغلاية باستخدام قطعة قماش جافة.

## ● الحماية ضد الغليان والجفاف

وظيفة الحماية المزدوجة ضد الاحتراق الجاف:

1. عندما يتم تشغيل الغلاية بدون ماء، فإن وظيفة الحماية المزدوجة ضد الاحتراق الجاف توقف تلقائياً التسخين وتمنع الغلاية من التلف.
2. عند حدوث هذه الحالة، يرجى فصل سلك الكهرباء من المقبس والانتظار حتى تبرد الغلاية بشكل طبيعي قبل استخدامها مرة أخرى (لا تبرد الغلاية بالماء البارد مباشرة لتجنب التأثير على العمر الافتراضي لنظام التسخين).

## ● المواصفات الوظيفية

في وضع الاستعداد، اختر زر "الوظيفة" لتحديد 3 وظائف متقدمة أو تحديد الوظائف الأخرى مباشرة، وستضيء مصابيح المؤشر المقابلة للوظائف ويدخل الجهاز حالة العمل في القائمة المقابلة بعد الضغط على زر "تشغيل/ إيقاف". بعد اكتمال العمل، يدخل الجهاز تلقائياً في وضع الاحتفاظ بالسخونة.

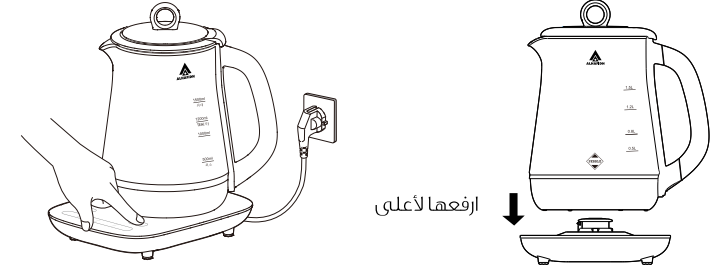
## الوظائف والتعليمات لطرز

### ■ الغليان:

1. عند الضغط على زر "تشغيل/ إيقاف" في حالة الاستعداد، يصدر الجهاز صوتاً فوراً وتومض كلمات 100 درجة مئوية على شاشة العرض لمدة 3 ثوانٍ، ثم تنتقل شاشة العرض إلى الوضع الذي يعرض درجة حرارة الماء الحالية في الغلاية.
2. تبدأ عملية الغليان، ويومض مؤشر 100 درجة مئوية ويضيء مؤشر "تشغيل/ إيقاف" بشكل طبيعي.
3. بعد غليان الماء، تصدر ثلاثة أصوات فورية وينطفئ مصباح مؤشر زر "تشغيل/ إيقاف"، وتدخل الغلاية في وضع إيقاف التشغيل.
4. إذا كانت هناك حاجة لإيقاف عملية الغليان، يرجى الضغط على زر "تشغيل/ إيقاف" مرة أخرى. تدخل الغلاية في وضع إيقاف التشغيل عندما يكون المؤشر الخاص بالزر مطفئاً.

### ■ الاحتفاظ بالسخونة:

1. عند الضغط على زر 40 درجة مئوية أو 80 درجة مئوية أو 90 درجة مئوية في حالة الاستعداد، يصدر الجهاز صوتاً فوراً ويضيء مؤشر زر درجة الحرارة المحددة، وتعرض شاشة العرض درجة حرارة الماء الحالية في الغلاية.
2. يحدد وضع "الاحتفاظ بالسخونة" باستخدام زر "الوظيفة"، ويضيء مؤشر الوضع بشكل طبيعي.
3. تعرض شاشة العرض درجة حرارة التسخين المحددة خلال 3 ثوانٍ بعد الضغط على زر "تشغيل/ إيقاف"، ثم تنتقل إلى الوضع الذي يعرض درجة حرارة الماء الحالية في الغلاية. بعد بدء عملية التسخين، يومض مؤشر زر درجة الحرارة المحددة ويضيء مصباح مؤشر زر "تشغيل/ إيقاف" بشكل طبيعي.
4. بعد الانتهاء من التسخين، يبدأ هذا الوضع تلقائياً ويحتفظ بدرجة حرارة الماء المحددة: 40 درجة مئوية - ساعتان، 80 و90 درجة مئوية - ساعة واحدة. إذا جرى تقليل درجة الحرارة إلى أقل من القيمة المحددة، فسيجري تشغيل عنصر التسخين تلقائياً. في هذا الوضع، تضيء مؤشرات زر "تشغيل/ إيقاف" ووضع "الاحتفاظ بالسخونة (الحفاظ على الحرارة)" بشكل طبيعي، ويومض مؤشر زر درجة حرارة التسخين المحددة وتظهر شاشة العرض درجة حرارة الماء الحالية في الغلاية.
5. إذا كان وضع "التسخين" بحاجة إلى الإغلاق، يرجى الضغط على زر "تشغيل/ إيقاف" وسيصدر الجهاز صوتاً فوراً، وينطفئ مصباح المؤشر الموجود على القاعدة ويدخل الجهاز في وضع إيقاف التشغيل.
6. عند الانتهاء من هذا الوضع، تصدر ثلاثة أصوات فورية ويدخل الجهاز في وضع إيقاف التشغيل.



4. اقل الغطاء، وضع الغلاية على القاعدة الكهربائية، شغل الطاقة. تضيء جميع مصابيح المؤشر لمدة ثانية واحدة، وتدخل الغلاية في وضع إيقاف التشغيل بعد "الصفارة".
5. شغل الطاقة. تضيء جميع مصابيح المؤشر لمدة ثانية واحدة، وتدخل الغلاية في وضع إيقاف التشغيل بعد "الصفارة".



6. اضغط على زر "الوظيفة" لاختيار إحدى الوظائف المتقدمة الثلاث المقابلة، يمكن اختيار الوظائف الأخرى مباشرة عن طريق الضغط على أزرار الوظائف المقابلة.
7. اضغط على زر "تشغيل/ إيقاف التشغيل". يبدأ الجهاز في العمل بعد الضغط على زر "تشغيل/ إيقاف التشغيل".



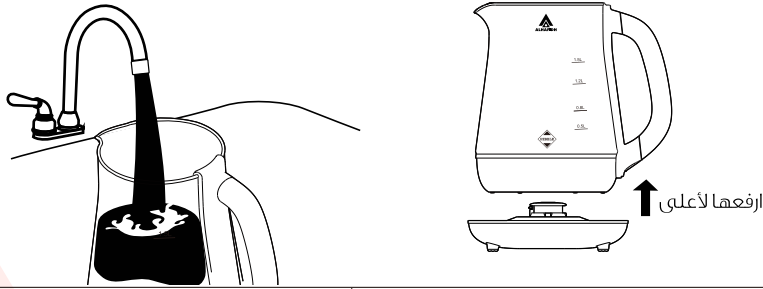
1. زر الوظيفة: يحدد وضع التشغيل (أ) مؤشر "الاحتفاظ بالسخونة" - يحافظ على وضع درجة حرارة الماء المحددة (ب) مؤشر "الطهي البطيء" - الطهي على نار هادئة (ج) مؤشر "الغليان" - وضع الغليان
2. زر "التشغيل/ الإيقاف" - تشغيل/ إيقاف تشغيل الغلاية الكهربائية
3. زر "40 درجة مئوية" - تسخين الماء إلى 40 درجة مئوية
4. زر "80 درجة مئوية" - تسخين الماء إلى 80 درجة مئوية
5. زر "90 درجة مئوية" - تسخين الماء إلى 90 درجة مئوية
6. زر "100 درجة مئوية" - غليان الماء

الطراز	السعة	الجهد/ التردد	الطاقة المقننة
TEA15GW	1.5 لتر	220-240 فولت ~ 60 /50 هرتز	1200-1000 واط

تعليمات الاستخدام  
● خطوات التشغيل الأساسية

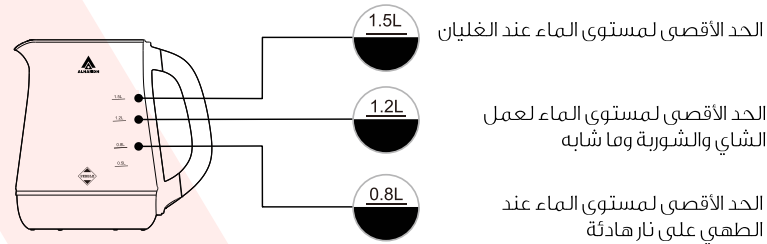


1. قبل الاستخدام لأول مرة أو بعد التخزين لمدة طويلة، يجب إضافة الماء إلى أقصى مستوى وقلبه مرة أو مرتين لتنظيف الجزء الداخلي من جسم الغلاية. هذا الماء الساخن غير مناسب للشرب!
2. أثناء عملية غليان الماء، يرجى ملاحظة أن فوهة الغلاية ساخنة.
3. بعد اكتمال عمل الجهاز، لا يمكن إضافة الماء إلى الغلاية أثناء عملية الحفاظ على الحرارة.
4. عند وجود طعام في هذا الجهاز وفي الوعاء، يُحظر وضعه مباشرة في الثلاجة للتبريد أو إخرجه للتسخين الفوري؛ لتجنب تلف الزجاج.



1 ارفع الغلاية بعيداً عن القاعدة الكهربائية.

2 افتح غطاء الغلاية وأضف الماء إلى الغلاية.



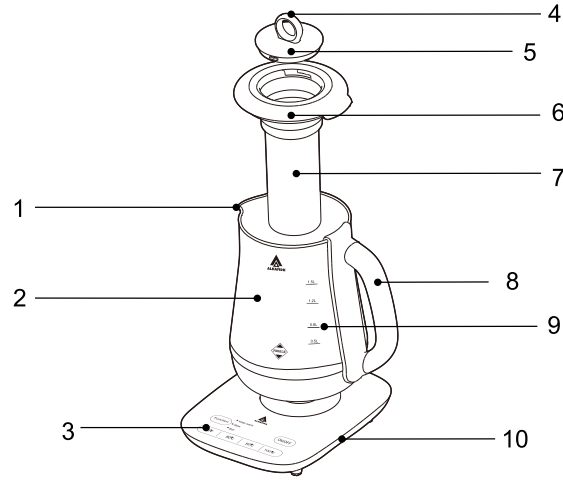
الحد الأقصى لمستوى الماء عند الغليان

الحد الأقصى لمستوى الماء لعمل الشاي والشوربة وما شابه

الحد الأقصى لمستوى الماء عند الطهي على نار هادئة

3 ارفع الغلاية بعيداً عن النار احرص على عدم تجاوز الحد الأقصى لمستوى الماء للوظيفة المقابلة، وفي الوقت نفسه لا تضيف ماء أقل من الحد الأدنى لمستوى الماء؛ لتجنب الاحتراق الجاف. اعادة الكهرباء.

معايير الجهاز وأسماء مكوناته  
يرجى المتابعة على الجهاز نفسه.  
● معايير الجهاز وأسماء مكوناته



1	فوهة الغلاية	8	مقبض الأمان
2	جسم الغلاية	9	مقياس الماء
3	لوحة التشغيل	10	القاعدة الكهربائية
4	المقبض		
5	غطاء التفذية		
6	غطاء الغلاية		
7	مصفاة الشاي		

1. هذه الصورة للاطلاع فقط، وقد يكون هناك اختلاف بين المنتجات. يرجى اعتماد المنتج الفعلي.
2. يخضع هذا الجهاز لأي تحسين تقني يُدمج في الإصدار الجديد من هذا الدليل في المستقبل دون إشعار مسبق.



● وصف الرموز الموجودة على عبوة الجهاز

لا تغسلها تحت ماء الصنبور.	
يرجى عدم التخلص من هذا المنتج مع النفايات المنزلية العامة! يجب على المستخدمين التخلص من هذا المنتج بشكل منفصل عن النفايات المنزلية بعد انتهاء عمره الافتراضي؛ يساعد التجميع والتخلص من خلال تصنيف المنتج في الحفاظ على الموارد الطبيعية وتقليل التلوث البيئي. يرجى التخلص من منتجات المخلفات الكهربائية والإلكترونية وفقاً لطرق التخلص المحددة في بلدك.	

- حذر غمر الغلاية الكهربائية أو سلك الكهرباء أو قابس الطاقة أو القاعدة الكهربائية في الماء أو السوائل الأخرى؛ لتجنب الحوادث.
- استخدم دائماً مقبض الأمان أثناء التشغيل، ولا تلمس جسم الغلاية الساخن أو تقترب من البخار الساخن المنبعث من الغلاية وفوهة الغلاية. يرجى غلق غطاء الغلاية أثناء غليان الماء. يُحظر فتح الغطاء أثناء الغليان؛ لتجنب التعرض للحروق.
- يُحظر استخدام أسلاك تمديد أخرى أثناء إجراء الخدمة والصيانة، أو استخدام قطع غير مصرح بها ولا توفرها الشركة المصنعة.
- عند حدوث أي تلف للغلاية الكهربائية، يرجى إحضارها إلى مركز الخدمة المعتمد للصيانة. لا يجوز للمستخدمين القيام بإجراءات الصيانة بأنفسهم.
- ملاحظة: يُحظر فك الغطاء السفلي للغلاية أو القاعدة الكهربائية بنفسك.
- يُحظر تعليق السلك الكهربائي على زاوية الطاولة أو لمس السطح ذي درجة الحرارة المرتفعة. عند عدم استخدام الغلاية الكهربائية لمدة طويلة من الوقت، خزن سلك الكهرباء في المكان المخصص للكابلات بالقاعدة الكهربائية.
- يُحظر إدخال البراغي أو الأسلاك أو الأغراض الأخرى في الفجوة أو الفتحة ما بين الغلاية الكهربائية والقاعدة؛ لتجنب حدوث صدمة كهربائية.

! النقاط التي قد تسبب إصابات

- يُحظر تشغيل هذا الجهاز دون مراقبة.
- ملاحظة: تأكد من إيقاف تشغيل زر الطاقة قبل إزالة الغلاية الكهربائية من القاعدة.
- يجب تنظيف السطح الذي يوضع عليه الجهاز بانتظام مع إزالة بقع الزيت.
- يرجى ترك مسافة لا تقل عن 30 سم بين الجهاز وأجهزة المطبخ الأخرى.
- 1. هذا الجهاز مُصمَّم للاستخدام المنزلي واستخدامات أخرى، مثل: المطابخ الخاصة بالعاملين في المتاجر، والمكاتب، وبيئات العمل الأخرى؛ البيوت الزراعية؛ نزلاء الفنادق والاستراحات، وغيرها من البيئات السكنية؛ أماكن توافر خدمة المبيت والإفطار.
- يجب استخدام الجهاز فقط مع الحامل الخاص به.
- تحذير: تجنب سكب أي سوائل على القاعدة.
- تحذير: قد ينتج عن الاستخدام الخاطئ للجهاز حدوث إصابات.
- تحذير: قد يحتفظ سطح عنصر التسخين بالحرارة بعد الاستخدام.

## تعليمات هامة للسلامة

### ● ملاحظات عامة

- يجب دائماً اتباع احتياطات السلامة الأساسية؛ لضمان الاستخدام الآمن وتجنب حدوث إصابة و/أو خسائر في ممتلكات المستخدم والآخرين.
- قد يؤدي أي سوء استخدام يخالف تحذيرات السلامة إلى وقوع حوادث. الظروف التي يجب تجنبها:
- أن يستخدم الأطفال أو ذوو الاحتياجات الخاصة الجهاز دون الإشراف عليهم.
- أن يعبت الأطفال بالجهاز.

### ! إرشادات إلزامية

- هذا الجهاز غير معد للاستخدام من قبل الأشخاص (بما في ذلك الأطفال) الذين يعانون من ضعف في القدرات الجسدية أو الحسية أو العقلية، أو الذين تنقصهم الخبرة والمعرفة، إلا حصلوا على الإشراف والتوجيه حول كيفية استخدام الجهاز من قبل الشخص المسؤول عن سلامتهم.
- يجب مراقبة الأطفال لضمان عدم عبثهم بالجهاز.
- يرجى فصل مصدر الطاقة عندما تكون الغلاية الكهربائية فارغة، أو عند ملء الماء، أو عند عدم استخدامها أو تنظيفها أو نقلها، أو إذا كانت الغلاية لا تعمل.
- يُحظر استخدام هذا الجهاز على سطح مائل أو غير مستقر، ابتعد عن مصادر الحرارة؛ لتجنب تلف الأجزاء البلاستيكية، ولا تضعه فوق الأجهزة الكهربائية الأخرى أو بالقرب منها.
- تتطلب الغلاية منفذاً أرضياً منفصلاً بتيار مقنن 10 أمبير وجهد مقنن 220-240 فولت أو أكثر.
- يُحظر استخدام منفذ عام أو مشترك مع الأجهزة الكهربائية الأخرى.
- إذا تلف سلك الكهرباء يجب استبداله عن طريق جهة التصنيع، أو مركز الصيانة المعتمد، أو فني مختص.
- يجب استخدام الغلاية الكهربائية بالاقتران مع القاعدة الكهربائية. يُحظر استخدامها مع قاعدة كهربائية أخرى.
- يرجى فصل الغلاية الكهربائية عن القاعدة قبل إضافة الماء. يجب مسح فطرات الماء المتناثرة أسفل الغلاية الكهربائية قبل وضعها على القاعدة الكهربائية.
- يُحظر وضع الغلاية بالقرب من الطباخ؛ لتجنب اشتعالها العرضي بالنار.



الطراز: TEA15GW