



# ثلاجة

دليل المستخدم

الموديل:

RFHA-TM755NDS <sup>^</sup>

# Refrigerator

User's Manual

Model:

<sup>^</sup> RFHA-TM755NDS

الرجاء قراءة هذا الدليل بعناية قبل تشغيل الجهاز،  
و احتفظ به للرجوع إليه مستقبلاً.

هذه التصاميم و المواصفات عرضة للتغيير بهدف إدخال تحسينات عليها  
و ذلك دون إشعار مسبق.

ISO9001 CB

Please read this manual carefully before operating your set.  
Retain it for future reference.

Designs and specifications are subject to change for improvement  
without prior notice.

ISO9001 CB



**Model: RFHA-TM755NDS**

## Contents

Brief introduction.....	2	Using your appliance.....	8
Important safety instructions.....	2	Helpful hints and tips.....	12
Installing your new appliance.....	4	Cleaning and care.....	13
Description of the appliance.....	6	Troubleshooting.....	14
Display controls.....	7	Disposal of the appliance.....	15

## Brief introduction

Thank you for your choosing our products. We are sure you will find your new appliance a pleasure to use. Before you use the appliance, we recommend that you read through these instructions carefully, which provides details about its usage and functions.

- Please ensure that all people using this appliance are familiar with its operations and safety features. It is important that you install the appliance correctly and pay attention to the safety instructions carefully.
- We recommend that you keep this user's manual with the appliance for future reference and retain it to any future users

● This appliance is intended to be used in household and similar applications such as:

- Staff kitchen- areas in shops, offices and other working environments;
- Farmhouses by clients in hotels, motels and other residential types of environment;
- Bed and breakfast type of environments.
- Catering and similar non-retail applications.

● If you feel that the appliance is not operating correctly, please check the Troubleshooting page for assistance. If still in doubt contact the customer service help line for assistance or to arrange a call out by an authorized service engineer.

## Important safety instructions

### General safety and daily use



It is important to use your appliance safely. We

recommend that you follow the guidelines below.

- Store any food in accordance with the storage instructions from the manufacturer.
- Don't try to repair the appliance yourself. It is dangerous to alter the specifications or modify this product in any way. Any damage to the cord may

cause short circuit, fire or electric shock.

- Don't place too much food directly against the air outlet on the rear wall of both the refrigerator and freezer compartment, as it affects sufficient air circulation.
- Don't place hot items near the plastic components of this appliance. Frozen food must not be refrozen once it has been thawed out.

- Don't store bottled or canned drinks (especially carbonated drinks) in the freezer compartment. Bottles and cans may explode.
- Don't consume ice popsicles or ice cubes straight from the freezer as this can cause freezer burn to the mouth and lips.
- To avoid items falling and causing injury or damage to the appliance, don't overload the door racks or put too much food in the crisper drawers.

### Warning

- Keep ventilation openings, in the appliance enclosure or in the built-in structure, clear of obstruction.
- Don't use mechanical devices or other means to accelerate the defrosting process, other than those recommended by the manufacturer.
- Don't damage the refrigerant circuit.
- Don't use electrical appliances inside the food storage compartments of the appliance, unless they are of the type recommended by the manufacturer.
- If the supply cord is damaged, it must be replaced by the manufacturer, its service agent or similarly qualified persons in order to avoid a hazard.
- When disposing of the appliance, do so only at an authorized waste disposal centre. Don't expose to flame.

### Safety for children and infirm persons



This appliance is not intended for use by persons (including children) with reduced physical, sensory or mental capabilities, or a lack of experience and knowledge, unless they have been given supervision or instruction concerning the use of the appliance by a person responsible for their safety. Children should be supervised to ensure that they do not play with the appliance.

- Keep all packaging away from children to avoid risk of suffocation.
- Protect children from being scalded by touching the very hot compressor at the rear bottom of appliance
- Don't place items on top of the appliance as this could cause injury should they fall off.
- Never allow children to play with the appliance by hanging or standing over or on the doors, racks, shelves and drawers etc.

### Safety about electricity



To avoid the risks that are always present when using an electric appliance, we recommend that you pay more attention to the instructions about electricity below.

- Unpack the appliance and check through the appliance. Should any damage be evident, don't plug in the appliance but contact the shop immediately from which you purchased it. Keep all packing materials in this case.
- We recommend that you wait for 4 hours before connecting the appliance to allow the refrigerant to flow back into the compressor.
- The appliance must be applied with single phase alternating current of 220V240-V/50HZ . If the voltage fluctuates exceeding the upper limit, A.C. automatic voltage regulator of more than 350W should be applied to the refrigerator for safety use.
- The mains plug must be accessible when the appliance is installed.
- This appliance must be earthed.
- This appliance is fitted with a fused plug in accordance with local standard. The fused plug should be suitable for use in all houses fitted with sockets in accordance with current specifications.
- If the fitted plug is not suitable for your socket outlets, it should be cut off and carefully disposed of. To avoid a possible shock hazard, do not insert the discarded plug into a socket. If in

doubt contact a qualified, registered electrician.

- Don't use extension cords or multiple sockets which could cause overloading of wiring circuits and could cause a fire. Always plug your appliance into its own individual electrical socket which has a voltage rating that matched the rating plate.
- Make sure that the plug is not squashed or damaged. Otherwise, it may cause short circuit, electric shock or overheat and even cause a fire.
- Don't insert the mains plug if the socket is loose, there is a risk of electric shock or fire.
- Switch off the appliance and disconnect it from the mains power before you clean or move it.
- Never unplug the appliance by pulling on the electrical cord. Always grip the plug firmly and pull straight out from the socket to prevent damaging the power cord.
- Don't operate the appliance without the light cover of interior lighting.
- Any electrical component must be replaced or repaired by a qualified electrician or authorized service engineer. Only genuine spares should be used.
- Don't use electrical appliances such as ice cream makers inside the food storage compartments of the appliance, unless they are approved by the manufacturer.
- Don't look direct into the LED light located in the refrigerator compartment with optical instruments to avoid eye injuries. If it is not functioning correctly, consult a

Before using the appliance for the first time, you should be informed of the following tips.

### Ventilation of appliance



In order to improve efficiency of the cooling system and save energy, it is necessary to maintain good ventilation around the appliance for the dissipation of heat. For this reason, sufficient clear space should be available around the refrigerator. Suggest :It is advisable for there to be at least 75mm of space from the back to the wall, at least 100mm from its

qualified, registered electrician or replace it in accordance with the "cleaning and care" chapter.

### Refrigerant

The refrigerant isobutene (R600a) is contained within the refrigerant circuit of the appliance, a natural gas with a high level of environmental compatibility, which is nevertheless flammable. During transportation and installation of the appliance, ensure that none of the components of the refrigerant circuit becomes damaged.

The refrigerant (R600a) is flammable.



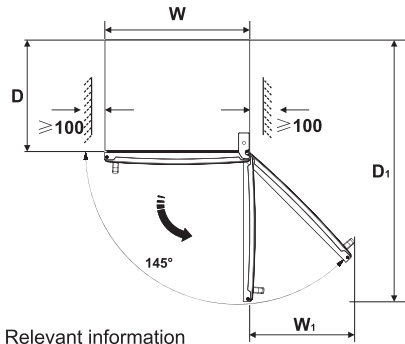
### Caution: risk of fire

- Don't store products which contain flammable propellants (e.g. spray cans ) or explosive substances in the appliance.
- Should the refrigerant circuit be damaged:**
- Avoid opening flames (candles, lamps etc. ) and sources of ignition.
- Thoroughly ventilate the room in which the appliance is situated.

### Installing your new appliance

top, at least 100mm from its side to the wall and a clear space in front to allow the doors to open 145°. As shown in following diagrams.





Relevant information

Model	Constant /mm	W	W <sub>1</sub>	D	D <sub>1</sub>
FNT-D700HT		860	696	600	1487

Note:

This appliance performs well within the climate class showed in the table below.

It may not work properly if being left at a temperature above or below the indicated range for a long period.

Climate class	Ambient temperature
SN	+10°C to +32°C
N	+16°C to +32°C
ST	+16°C to +38°C
T	+16°C to +43°C

- Stand your appliance in a dry place to avoid high moisture.
- Keep the appliance out of direct sunlight, rain or frost. Stand the appliance away from heat sources such as stoves, fires or heaters.

#### Leveling of appliance

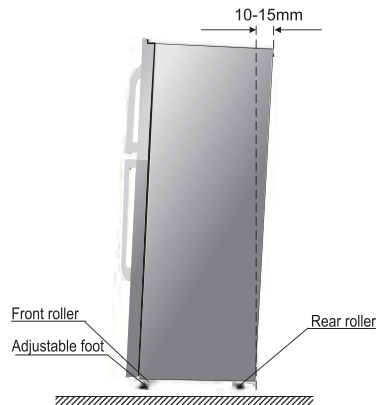
The appliance should be level in order to eliminate vibration. We recommend that you level the appliance by the following steps.

1. Roll the refrigerator into place.
2. Turn the adjustable feet (with your fingers or a suitable spanner) until it touches the floor.

3. Tilt back the top backwards for about 10-15 mm by turn the feet 1-2 turn further. This will allow the doors to self-close, providing a consistent closed seal.

4. Whenever you want to move the appliance, remember to turn the feet back up so that the appliance can roll freely. Reinstall the appliance when relocating.

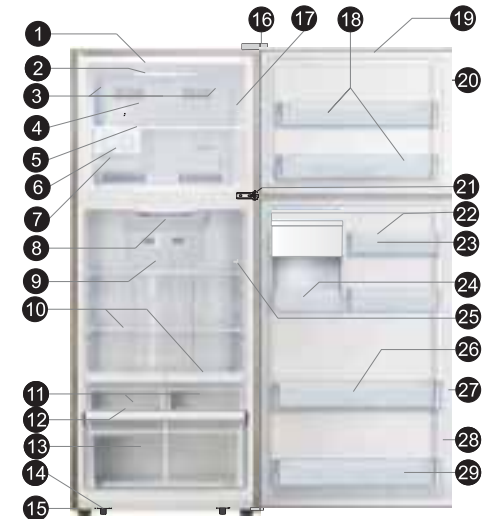
**Caution!** The rollers, which are not castors, should be only used for forward or backward movement. Moving the refrigerator sideways may damage your floor and the rollers.



## Description of the appliance

- 1.Cabinet
- 2.LED light (inside)
- 3.Screw hole cover
- 4.Wind channel in freezer chamber
- 5.Glass shelf
- 6.Twist Ice tray
- 7.Ice storage box
- 8.LED light (inside)
- 9.Wind channel in refrigerator chamber
- 10.Glass shelf
- 11.Cool fresh box
- 12.Shelves assembly
- 13.Moisture fresh crisper
- 14.Roller
- 15.Adjustable foot
- 16.Upper hinge cover
- 17.Door switch
- 18.Freezer door rack
- 19.Freezer door seal
- 20.Freezer door
- 21.Middle hinge
- 22.Egg tray(inside)
- 23.Water tank
- 24.Small door rack
- 25.Door switch
- 26.Middle door rack
- 27.Fridge door
- 28.Fridge door seal
- 29.Lower door rack

### View of the appliance



**Note:** Due to unceasing modification of our products, your refrigerator may be slightly different from this Instruction Manual, but its functions and using methods remain the same.

**Note:** Shelves and drawers are arranged for optimum energy efficiency on delivery.

## Display controls

Use your appliance according to the following control regulations, your appliance has the corresponding functions and modes as the control panels showed in the pictures below. When the appliance is powered on for the first time, the backlighting of the icons on display panel starts working. If no buttons have been pressed and the doors are closed, the backlighting will turn off.



### Controlling the temperature

We recommend that when you start your refrigerator for the first time, the temperature for the refrigerator is set to 5°C and the freezer to -18°C. If you want to change the temperature, follow the instructions below.

Caution! When you set a temperature, you set an average temperature for the whole refrigerator cabinet.

Temperatures inside each compartment may vary from the temperature values displayed on the panel, depending on how much food you store and where you place them. Ambient temperature may also affect the actual temperature inside the appliance.

### 1. Freezer

Press "Freezer" to set freezer temperature between -14°C and -24°C as needed, and the control panel will display corresponding value according to the following sequence.

→ -14°C — -15°C — -16°C — -17°C — -18°C — -19°C  
← -24°C — -23°C — -22°C — -21°C — -20°C ←

### 2. Super Freeze

Super Freeze can quickly lower frozen temperature and freeze your food faster than usual. This can lock the vitamins and nutrition of fresh food and keep your food longer.

- Press "Super Freeze" button to activate the super freeze function. The light will come on and the freezer temperature setting displays -24°C.
- In case of the maximum amount of food to be frozen, we recommend that you let the appliance operates for 6 hours first.
- Super freeze automatically switches off after 26 hours.

● When super freeze function is on you can switch off super freeze function by pressing "Super Freeze" or "Freezer" button and the freezer temperature setting will revert back to it's previous setting.

### 3. Fridge

Press "Fridge" to set fridge temperature between 2°C and 8°C as needed, and control panel will display corresponding values according to the following sequence.

→ 8°C — 7°C — 6°C — 5°C  
← 2°C — 3°C — 4°C ←

### 4. Super Cool

Super Cool can refrigerate your food much faster, keeping food fresh for a longer period

- Press "Super Cool" button to activate this function. The light will be illuminated, and the refrigerator temperature setting displays 2°C.
- Super cool automatically switches off after 6 hours.
- When super cool function is on you can switch it off by pressing "Super Cool" or "Fridge" button and the refrigerator temperature setting will revert back to the previous setting.

## Description of the appliance

### 5. Holiday



If you are going to be away for a long period of time such as a long holiday or business trip, you can activate this function by pressing "Holiday" button for 3 seconds until the light will be illuminated.

- When the holiday function is activated, the temperature of the fridge is automatically switched to 15°C. The fridge temperature setting displays "-" and the freezer compartment remains on.

**Important!** Do not store any food in the fridge during this time, or they will soon go off.

- When the holiday function is on, you can switch off it by pressing any button of "Holiday", "Fridge" and "Super Cool" button. The fridge temperature will revert back to it's previous setting.

### 6. Alarm



In case of alarm, "Alarm" icon will be on and there will be buzzing sound. Press "Alarm" key to clear alarm and then "Alarm" icon will turn off and stop buzzing.

### Door Alarm

- When door of fridge or freezer is open for over 2 minutes, door alarm will come on. In case of door alarm, buzzer will sound 3 times per minute and stop alarm about 10 minutes later.
- To save energy, please avoid keeping doors open for a long time when using refrigerator. In case of door alarm, it can also clear door alarm by closing the doors.

### Temperature alarm

- If freezer temperature is too high due to power failure or other reasons, it will give temperature alarm and the freezer temperature setting displays "--".
- In case of temperature alarm, buzzer will sound constantly for 10 times.
- In case of temperature alarm, press "Alarm" button for 3 seconds to check the highest freezer temperature. The temperature value and "Alarm" icon will simultaneously flash for 5 seconds.

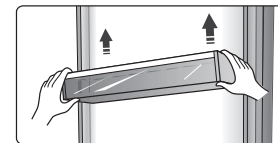
**Caution!** When refrigerator is powered on again, it is normal to appear temperature alarm and you can press "Alarm" to clear it.

## Using your appliance

You appliance has the accessories as the "Description of the appliance" showed in general, with this part instruction you can have the right way to use them.

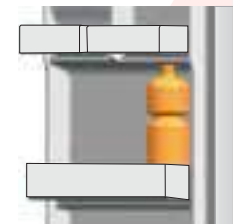
### Door rack

- It is suitable for the storage of eggs, canned liquid, bottled drinks and packed food, etc. Do not place too many heavy things in the racks
- The middle door shelf can be placed at different heights according to your requirements. Please take food out of the shelf before lifting vertically to reposition.



### Bottle holder

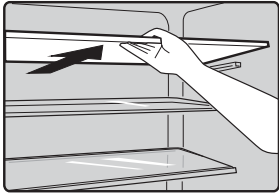
The bottle holder can be used to fix the bottle.



**Note:** There are egg trays in the upper shelf and bottle holder in the lower shelf.

### Shelf in Refrigerator chamber

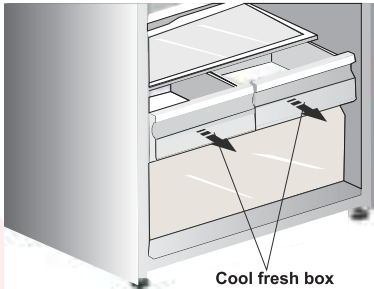
There are shelves in refrigerator chamber, and they can be taken out to be cleaned.



#### Cool fresh box

The cool fresh box is suitable for storing fish, meat and sausage for a short-term fresh.

- The temperature in cool fresh box is lower than the refrigerator compartment sometimes even below 0°C.
- Do not store food that easily be frosted, such as vegetable and fruits.

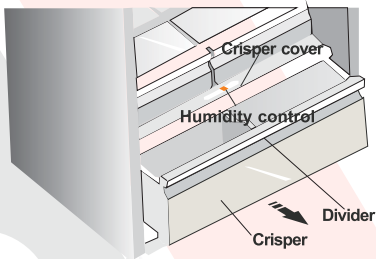


Cool fresh box

#### Crisper and Humidity control

The crisper is for storing vegetables and fruits. You can adjust the humidity inside by using the sliding block.

- The sliding block on crisper cover can slide to left or right and the air hole become more or less relatively. More air hole opening means less humidity and less means more humidity.
- We recommend that you store vegetables with more humidity and fruit less humidity.



- When you remove the crisper, pull them forward, then lift the crisper off the slides. Remember to empty food in the crisper firstly. Once you have removed the drawers, ensure the slides are pushed back fully.

- Divider easily manage crisper space as you store separate food.

#### Twistable ice tray

The twistable ice tray is used to make and deposit ice cubes. You should use it as follows.

1. Pull out the twistable ice tray from the installation bracket.
2. Fill the drinking water inside (do not fill above the max water level).
3. Place the filled ice tray back to the bracket.
4. Await for around 3 hours, twist the knobs clockwise and the ice will drop into the ice box below.

#### Notice :

Ice box is inadvisable to be used to make ice, otherwise it may crack.

If it takes a long time to make ice, do not hold the ice tray directly to avoid the ice tray sticking and hurting your hands.



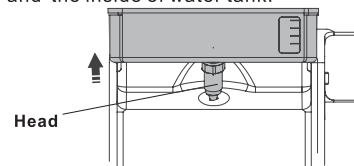
Twist ice tray Ice box

#### Water Dispenser

The water dispenser, located in the fridge door, is for storing drinking water. With this appliance you can obtain chilled water easily without opening the refrigerator. You should be informed of following tips.

- Before using Before using this appliance for the first time, you should use it as follows.

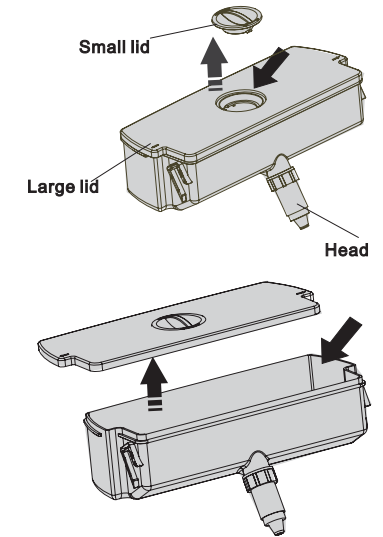
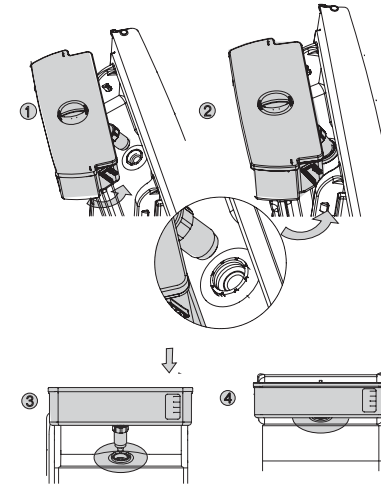
1. Hold the two sides of the water tank tightly, then lift up and put out of the water tank.
2. Unscrew the head, then clean head and the inside of water tank.



Head

#### ● Assembling

After cleaning, please assemble the parts including the head, water tank and lids together, then fit them on the door.



Small lid

Large lid

Head

#### Warning!

Don't touch other parts of the appliance when filling water, it may cause the water leakage.

#### ● Dispensing water

1. Make sure the cover of the water tank is fitted on.
2. Close the fridge door and check the dispenser.



Lock

Before you dispense the water, make sure the lock device is on "UNLOCK" situation.

#### Warning!

The lock is defined as "child lock". Don't push the dispenser lever forward strongly, when the dispenser is on "LOCK" situation, it may damage the mechanism.

#### Warning!

When fitting the water tank, ensure the head inserted into the hole first, then hold the two sides of the water tank tightly and fit it on the door.

#### ● Filling water

Before you fill the drinking water into the water tank, ensure that the water tank is steady and in a correct position.

#### Caution!

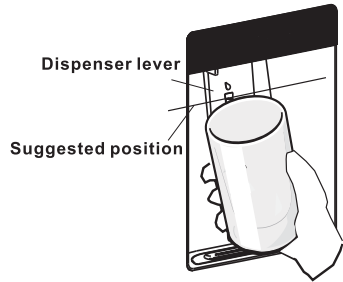
Fill with water up to 2.5L (which is suggested), and not above the level. Otherwise, it may overflow when the lid is close.

We recommend that you fill the water by the following ways.

1. Remove the small lid and fill water from the inlet of the large lid.
2. Remove the cover of the tank, and then fill water inside directly.

### ● Receiving Water

You should use the correct cups to receive water underneath the water dispenser.

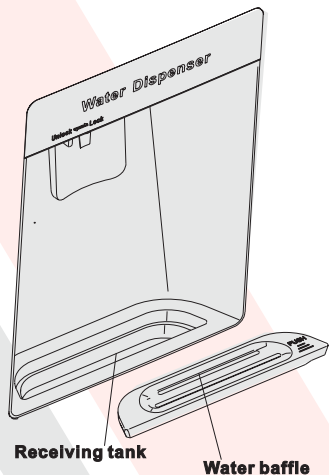


### Warning!

Don't push the dispenser lever forward without cup, it may cause the water leak from the dispenser.

### ● Cleaning

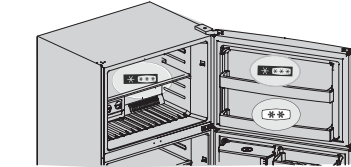
1. Put the water tank out of the door carefully, and then wash the tank, lid, and head lightly in water.
  2. After you have successfully cleaned the appliance, you should dry it by natural drying or using the dryer.
- If you have used the water dispenser for many times, the water in the receiving tank may drop on the floor, which may make your floor wet, and you should clean the tank with dry towel regularly before overflow.



### ● Freezer

The freezer compartment consist of 2 sections. One is the 4-star section and the other one is the 2-star section.

The temperature for 2-star section is always below  $-12^{\circ}\text{C}$ , where the temperature for 4-star section is always below  $-18^{\circ}\text{C}$ .



## Helpful hints and tips

### Energy saving tips

We recommend that you follow the tips below to save energy.

- Try to avoid keeping the door open for long periods in order to conserve energy.
- Ensure the appliance is away from any sources of heat (Direct sunlight, electric oven or cooker etc)
- Don't set the temperature colder than necessary.
- Don't store warm food or evaporating liquid in the appliance.
- Place the appliance in a well ventilated, humidity free, room. Please refer to Installing your new appliance chapter.
- If the diagram shows the correct combination for the drawers, crisper and shelves, do not adjust the combination as this is designed to be the most energy efficient configuration.

### Hints for fresh food refrigeration

- Do not place hot food directly into the refrigerator or freezer, the internal temperature will increase resulting in the compressor having to work harder and will consume more energy.
- Do cover or wrap the food, particularly if it has a strong flavor.
- Place food properly so that air can circulate freely around it.

### Hints for refrigeration

- Meat (All Types) Wrap in polythene food: wrap and place on the glass shelf above the vegetable drawer. Always follow food storage times and use by dates suggested by manufacturers.
- Cooked food, cold dishes, etc.: They should be covered and may be placed on any shelf.
- Fruit and vegetables: They should be stored in the special drawer provided.
- Butter and cheese: Should be wrapped in airtight foil or plastic film wrap.

film wrap.

### ● Milk bottles:

Should have a lid and be stored in the door racks.

### Hints for freezing

- When first starting-up or after a period out of use, let the appliance run at least 2 hours on the higher settings before putting food in the compartment.
- Prepare food in small portions to enable it to be rapidly and completely frozen and to make it possible to subsequently thaw only the quantity required.
- Wrap up the food in aluminum foil or polyethylene food wraps which are airtight,
- Do not allow fresh, unfrozen food to touch the food which is already frozen to avoid temperature rise of the latter.
- Iced products, if consumed immediately after removal from the freezer compartment, will probably cause frost burns to the skin.
- It is recommended to label and date each frozen package in order to keep track of the storage time.

### Hints for the storage of frozen food

- Ensure that frozen food has been stored correctly by the food retailer
- Once defrosted, food will deteriorate rapidly and should not be re-frozen. Do not exceed the storage period indicated by the food manufacturer.

### Switching off your appliance

If the appliance needs to be switched off for an extended period, the following steps should be taken prevent mould on the appliance.

1. Remove all food.
2. Remove the power plug from the mains socket.
3. Clean and dry the interior thoroughly.
4. Ensure that all the doors are wedged open slightly to allow air to circulate.

## Cleaning and care

For hygienic reasons the appliance (including exterior and interior accessories) should be cleaned regularly at least every two months.

**Caution!** The appliance must not be connected to the mains during cleaning. Danger of electrical shock! Before cleaning switch the appliance off and remove the plug from the mains socket.

### Exterior cleaning

To maintain good appearance of your appliance, you should clean it regularly.

-Wipe the digital panel and display panel with a clean, soft cloth.

-Spray water onto the cleaning cloth instead of spraying directly on the surface of the appliance. This helps ensure an even distribution of moisture to the surface.

-Clean the doors, handles and cabinet surfaces with a mild detergent and then wiped dry with a soft cloth.

Caution!

-Don't use sharp objects as they are likely to scratch the surface.

-Don't use Thinner, Car detergent, Clorox, ethereal oil, abrasive cleansers or organic solvent such as Benzene for cleaning. They may damage the surface of the appliance and may cause fire.

Interior cleaning

You should clean the appliance interior regularly. It will be easier to clean when food stocks are low. Wipe the inside of the fridge freezer with a weak solution of bicarbonate of soda, and then rinse with warm water using a wrung-out sponge or cloth. Wipe completely dry before replacing the shelves and baskets.

Thoroughly dry all surfaces and removable parts.

Although this appliance automatically defrosts, a layer of frost may occur on the freezer compartment's interior walls if the freezer door is opened frequently or kept open too long. If the frost is too thick, choose a time when the supply of food stocks are low and proceed as follows:

1. Remove existing food and accessories baskets, unplug the appliance from the mains power and leave the doors open. Ventilate the room thoroughly to accelerate the thawing process.

2. When defrosting is completed, clean your freezer as described above.

**Caution!** Don't use sharp objects to remove frost from the freezer compartment. Only after the interior is completely dry should the appliance be switched back on and plugged back into the mains socket.

### Door seals cleaning

Take care to keep door seals clean. Sticky food and drinks can cause seals to stick to the cabinet and tear when you open the door. Wash seal with a mild detergent and warm water. Rinse and dry it thoroughly after cleaning.

**Caution!** Only after the door seals are completely dry should the appliance be powered on.

### Replacing the LED light:

Warning: The LED light must not be replaced by the user! If the LED light is damaged, contact the customer helpline for assistance. To replace the LED light, the below steps can be followed:

1. Unplug your appliance.
2. Remove light cover by pushing up and out.
3. Hold the LED cover with one hand and pull it with the other hand while pressing the connector latch.
4. Replace LED light and snap it correctly in place.

## Troubleshooting

If you experience a problem with your appliance or are concerned that the appliance is not functioning correctly, you can carry out some easy checks before calling for service, please see below. You can carry out some easy checks according to this section before calling for service.

**Warning!** Don't try to repair the appliance yourself. If the problem persists after you have made the checks mentioned below, contact a qualified electrician, authorized service engineer or the shop where you purchased the product.

Problem	Possible cause & Solution
Appliance is not working correctly	Check whether the power cord is plugged into the power outlet properly.
	Check the fuse or circuit of your power supply, replace if necessary.
	The ambient temperature is too low. Try setting the chamber temperature to a colder level to solve this problem.
Odours from the compartments	It is normal that the freezer is not operating during the automatic defrost cycle, or for a short time after the appliance is switched on to protect the compressor.
	The interior may need to be cleaned Some food, containers or wrapping cause odours.
Noise from the appliance	The sounds below are quite normal: ● Compressor running noises. ● Air movement noise from the small fan motor in the freezer compartment or other compartments. ● Gurgling sound similar to water boiling. ● Popping noise during automatic defrosting. ● Clicking noise before the compressor starts.
	Other unusual noises are due to the reasons below and may need you to check and take action: The cabinet is not level. The back of appliance touches the wall. Bottles or containers fallen or rolling.
The motor runs continuously	It is normal to frequently hear the sound of the motor, it will need to run more when in following circumstances: ● Temperature setting is set colder than necessary ● Large quantity of warm food has recently been stored within the appliance. ● The temperature outside the appliance is too high. ● Doors are kept open too long or too often. ● After your installing the appliance or it has been switched off for a long time.
A layer of frost occurs in the compartment	Check that the air outlets are not blocked by food and ensure food is placed within the appliance to allow sufficient ventilation. Ensure that door is fully closed. To remove the frost, please refer to cleaning and care chapter.



Temperature inside is too warm	You may have left the doors open too long or too frequently; or the doors are kept open by some obstacle; or the appliance is located with insufficient clearance at the sides, back and top
Temperature inside is too cold	Increase the temperature by following the "Display controls" chapter.
Doors cant be closed easily	Check whether the top of the refrigerator is tilted back by 10-15mm to allow the doors to self close, or if something inside is preventing the doors from closing.
Water drips on the floor	The water pan (located at the rear bottom of the cabinet) may not be properly leveled, or the draining spout (located underneath the top of the compressor depot) may not be properly positioned to direct water into this pan, or the water spout is blocked. You may need to pull the refrigerator away from the wall to check the pan and spout.
The light is not working	<ul style="list-style-type: none"> <li>•The LED light may be damaged. Refer to replace LED lights in cleaning and care chapter.</li> <li>•The control system has disabled the lights due to the door being kept open too long, close and reopens the door to reactivate the lights.</li> </ul>

## Disposal of the appliance

It is prohibited to dispose of this appliance as household waste.

### Packaging materials


Packaging materials with the recycle symbol are recyclable. Dispose of the packaging into a suitable waste collection container to recycle it.

### Before disposal of the appliance

1. Pull out the mains plug from the mains socket.
2. Cut off the power cord and discard with the mains plug

Warning! Refrigerators contain refrigerant and gases in the insulation. Refrigerant and gases must be disposed of professionally as they may cause eye injuries or ignition.

Ensure that tubing of the refrigerant circuit is not damage prior to proper disposal.

	<p>Correct Disposal of this product</p> <p>This symbol on the product or in its packing indicates that this product may not be treated as household waste. Instead, it should be taken to the appropriate waste collection point for the recycling of electrical and electronic equipment. By ensuring this product is disposed of correctly, you will help prevent potential negative consequences for the environment and human health, which could otherwise be caused by the inappropriate waste handling of this product. For more detailed information about the recycling of this product, please contact your local council your household waste disposal service, or the shop where you purchased the product.</p>
---	---

درجة الحرارة الداخلية دافئة جدا	قد كنت قد تركت الأبواب مفتوحة لفترة طويلة جدا أو بشكل متكرر جدا، أو يتم إبقاها مفتوحة من قبل بعض المشاكل أو أن الثلجة تقع في مكان ذو مساحة غير كافية في الجانبين والخلف والأعلى
درجة الحرارة الداخلية باردة جدا	زيادة درجة الحرارة عن طريق اتباع الفصل. "عرض الضوابط"
يمكن إغلاق الأبواب بسهولة	تحقق ما إذا كان يميل الجزء العلوي من الثلجة إلى الخلف بـ 10-15ملمتر للسماح للأبواب الإغلاق بنفسها، أو إذا في شيء يمنع إغلاق الأبواب.
قطرات الماء على الأرض	وعاء الماء (الموجود في الجزء السفلي الخلفي من الحجرة) قد لا تكون مستوية بشكل صحيح، أو صنبورة تصريف المياه (الموجود تحت الجزء العلوي من مستودع ضاغط) قد لا تكون وضعت بشكل صحيح لتوجيه المياه إلى هذا الوعاء، أو صنبورة الماء سدت. قد تحتاج إلى سحب الثلجة بعيدا عن الجدار للتحقق من وعاء الماء وصنبور.
ضوء لا يعمل	• قد يكون ضوء LED معطوبا. الرجوع إلى استبدال مصابيح LED فيفصل التنظيف والرعاية. • تم تعطيل نظام التحكم بالأضواء بسبب الباب يتم إبقاها مفتوحة فترة طويلة جدا، أغلق الباب وأعد فتحه لتفعيل الأضواء.

## التخلص من الثلجة

يحظر التخلص من هذا الجهاز مع النفايات المنزلية.

مواد التعبئة والتغليف

يمكن إعادة تدوير مواد التعبئة والتغليف ذات رمز إعادة التدوير. التخلص من مواد التغليف في حاوية جمع النفايات مناسبة لإعادة التدوير.


قبل التخلص من الثلجة

1. فصل قابس التيار الكهربائي عن مأخذ توصيل التيار الكهربائي.

2. فصل سلك الكهرباء ونزع من قابس التيار الكهربائي

تحذير! الثلجات تحتوي على غازات التبريد والغازات في العازل. يجب التخلص من غازات الاحتباس والمبردات مهنيا كما أنها قد

تأكد من أن أنابيب غازات التبريد للدارة ليست تلف قبل التخلص السليم.

التخلص بطريقة صحيحة من هذا الجهاز	
هذا الرمز الموجود على المنتج أو داخل العبوة يشير إلى أن هذا المنتج لا يمكن أن يتم معاملته كالنفايات المنزلية. بدلا من ذلك، ينبغي أن تؤخذ إلى نقطة جمع النفايات المناسبة لإعادة تدوير المعدات الكهربائية والإلكترونية. من خلال ضمان التخلص من هذا المنتج بشكل صحيح، سوف تساعد على منع الآثار السلبية المحتملة على البيئة وصحة الإنسان، والتي كان من الممكن ان تنجم عن معالجة النفايات بصورة غير ملائمة لهذا المنتج. للحصول على معلومات أكثر تفصيلا حول إعادة تدوير هذا المنتج، يرجى الاتصال بالمجلس المحلي، الخاص التخلص من النفايات المنزلية الخدمة أو المتجر الذي اشتريت منه المنتج.	

وينبغي لأسباب صحية يتم تنظيف الثلاجة (بما في ذلك الملحقات الخارجية والداخلية) بانتظام على الأقل مرة كل شهرين.

**تنبيه!** يجب ألا تكون الثلاجة موصلة بالكهرباء خلال التنظيف. خطر الصدمة الكهربائية! قبل التنظيف، أوقف تشغيل الجهاز وإزالة القابس من مأخذ توصيل الكهربائي.

#### التنظيف الخارجي

للحفاظ على مظهر جيد للجهاز الخاصة بك، يجب عليك تنظيفه بشكل منتظم.

مسح اللوحة الرقمية ولوحة العرض بقطعة قماش نظيفة وناعمة رش الماء على قطعة القماش بدلا رش مباشرة على

سطح الجهاز. هذا يساعد على ضمان توزيع عادل للرطوبة على السطح.

تنظيف الأبواب، مقابض لجررة والسطوح بواسطة منظم معتدل ثم مسحت بقطعة قماش ناعمة جافة.

#### تنبيه!

-لا تستخدم أدوات حادة حيث من المحتمل أن تخدش السطح.

-لا تستخدم المخففات، ومنظفات السيارات، كلوروكس وزيت أثيري والمنظفات الكاشطة أو العضوية أو المذيبات مثل البنزين للتنظيف فإنها قد تلف سطح الجهاز ويمكن أن يتسبب الحريق.

#### التنظيف الداخلي

يجب تنظيف المناطق الداخلية للثلاجة بانتظام. سيكون من الأسهل لتنظيف

عندما يكون مخزونات الأغذية منخفضة. امسح داخل الفريزر الثلجة بمحلول ضعيف من بيكربونات الصودا، ثم شطف مع الماء الدافئ باستخدام الاسفنج مهترية أو القماش. امسح للتجفيف بشكل كامل قبل إعادة الرفوف والسلال. جفف جميع الأسطح والأجزاء القابلة للإزالة. على الرغم من أن هذا الجهاز تلقائيا تنويب، طبقة من الصقيع تحدث على جدران حجرة التجميد الداخلية إذا تم فتح باب الثلاجة في كثير من

الأحيان أو تبقى مفتوحة لفترة طويلة. إذا كان الصقيع سميك جدا اختر وقت توفير مخزونات الأغذية منخفضة وقم بما يلي على النحو التالي:

1. إزالة المواد الغذائية الموجودة وسلال الملحقة، افصل الجهاز عن التيار الكهربائي وترك الأبواب مفتوحة. تهوية الغرفة جيدا لتسريع عملية الذوبان.
2. عند اكتمال إزالة الجليد، وتنظيف الفريزر كما هو موضح أعلاه.

**تنبيه!** لا تستخدم أدوات حادة لإزالة الصقيع عن مقصورة الثلاجة. ينبغي إلا بعد أن تجف لأجزاء الداخلية تمام يتم تشغيل للثلاجة مرة أخرى بتوصيله مرة أخرى في مأخذ توصيل التيار الكهربائي.

#### تنظيف إطار إحكم قفل الباب

إعتني بنظافة إطار إحكم قفل الباب للثلاجة. يمكن المواد الغذائية للزجة والمشروبات التسبب قفل التمسك حجرة التبريد والتمزق عند فتح الباب. غسل إطار إحكم قفل الباب بمنظف خفيف وماء دافئ. أشطف وجفف جيدا بعد التنظيف.

**تنبيه!** فقط بعد ان يجف إطار إحكم قفل الباب تمام يتم تشغيل الثلاجة.

#### استبدال لمبة الإضاءة:

تحذير: لا يجب استبدال لمبة الإضاءة من قبل المستخدم! إذا تلفت لمبة الإضاءة، فيجب عليك الاتصال بخط خدمة العملاء لطلب المساعدة. يجب اتباع الخطوات التالية عند استبدال لمبة الإضاءة:

1. قم بفصل قابس التيار الكهربائي للجهاز.
2. أزل غطاء مكان الإضاءة بدفعه للأعلى ثم للخارج.
3. أمسك غطاء لمبة المراد استبدالها بإحدى يديك واسحبها باليد الأخرى للخارج بينما تضغط على لسان التوصيل.
4. أحضر لمبة جديدة وقم بثبيتها في مكانها بشكل صحيح.

إذا واجهت مشكلة مع للثلاجة الخاص بك أو تشعر بالقلق من أن الثلاجة لا تعمل بشكل صحيح، يمكنك القيام ببعض الاختبارات السهلة قبل استدعاء للخدمة، الرجاء راجع أدناه. يمكنك تنفيذ بعض الفوصات السهلة وفقا لهذا القسم قبل استدعاء للخدمة.

**تحذير:** لا تحاول إصلاح الجهاز بنفسك. إذا استمرت المشكلة بعد أن قمت ب الاختبارات المذكورة أدناه، اتصل بكهربائي مؤهل، مهندس مرخص الخدمة أو بالمحل الذي اشتريته منه المنتج.

المشكلة	السبب المتوقع والحل
الأجهزة لا يعمل بشكل صحيح	تحقق ما إذا كان يتم توصيل سلك الطاقة في مقبس الطاقة بشكل صحيح. التحقق من الصمامات أو دائرة امدادات الطاقة الخاصة بك، استبدالها إذا لزم الأمر. درجة الحرارة المحيطة منخفضة جدا. حاول ضبط درجة حرارة الغرفة لتكون أكثر برودة لحل هذه المشكلة. فمن الطبيعي أن التجميد لا يعمل أثناء دورة إزالة الصقيع التلقائي، أو لفترة قصيرة بعد تشغيل للثلاجة لحماية الضاغظ.
الروائح من الحجرات التبريد	الأجزاء الداخلية تحتاج إلى تنظيف بعض المواد الغذائية والحاويات أو الاغذية الملقوفة السبب في الروائح الكريهة.
ضجيج من الثلاجة.	الأصوات أدناه طبيعية تماما: • ضاغظ يصدر الضوضاء. • ضوضاء حركة الهواء من مروحة صغيرة من حجرة التجميد أو حجرات أخرى. • صوت الغرغرة مماثلة إلى الماء المغلي. • سمع ضجيج أثناء إزالة الجليد التلقائي. • ضجيج النقر قبل بدأ الضاغظ بالعمل.
الأصوات الغير عادية الأخرى هي نتيجة لأسباب أدناه، وربما بحاجة لكم للتحقق واتخاذ الإجراءات: الحجرة ليست مستوية. الجزء الخلفي من الثلاجة يلمس الجدار. زجاجات أو حاويات أو سقط تتدحرج.	
المحرك يعمل بشكل مستمر	فمن الطبيعي أن نسمع في كثير من الأحيان صوت المحرك، وسوف تحتاج إلى تشغيل أكثر عندما تكون في الحالات التالية: • تم تعيين إعدادات درجة حرارة أبرد من اللازم • تم مؤخرا حفظ كمية كبيرة من الطعام الساخن داخل الثلاجة. • درجة الحرارة خارج الثلاجة مرتفع جدا. يتم ابقى الأبواب مفتوحة لفترة طويلة جدا أو في كثير من الأحيان. • بعد تركيب الثلاجة الخاص بك أو تم إيقاف تشغيله لفترة طويلة.
هناك طبقة من الصقيع تكونه في حجرة	تأكد من أن عدم إغلاق منافذ الهواء بواسطة الأغذية وضمان وضع المواد الغذائية داخل الثلاجة للحصول على تهوية كافية. تأكد أن ذلك الباب مغلق تماما. لإزالة الصقيع، يرجى الرجوع إلى فصل التنظيف والرعاية.

• الحليب المعبأ في القوارير:

ينبغي أن يكون لها غطاء وتكون مخزنة في رفوف الباب.

نصائح للتجميد

• عند أول التشغيل في أو بعد فترة من عدم الاستخدام، أسمح للثلاجة أن تعمل ما لا يقل عن 2 ساعة على أعلى إعدادات قبل وضع الطعام في المقصورة.

• إعداد الطعام في أجزاء صغيرة لتمكينها من أنتجمد بسرعة وبشكل كامل وتمكن منذوبان الجليد في وقت لاحق فقط بالكمية المطلوبة.

• لف الطعام في رقائق الألومنيوم أو الاغطيه الغذائي البولي إيثيلين التي تعتبر محكم.

• لا تسمح للأغذية الطازجة والغير مجمدة لمس الاغذائية التي تم تجميدها لتجنب ارتفاع درجة الحرارة لهذه الأخيرة.

• المنتجات المتلجة، إذا استهلك فور بعد إخراجها من حجرة التجميد سوف تسبب ربما الصقيع على الجلد.

• من المستحسن لتصنيف حسب التاريخ كل عبوة تجمد لإبقاء تتبع من وقت التخزين.

نصائح لتخزين المواد الغذائية المجمدة

• كد أنه قد تم تخزين المواد الغذائية المجمدة بشكل صحيح من قبل متاجر التجزئة الغذائي

• بمجرد إذابة الجليد، المواد الغذائية سوف تتدهور بسرعة، وينبغي ألا يعاد تجميدها. لا تتجاوز فترة التخزين المشار إليها من قبل شركة الغذاء.

إطفاء الثلاجة الخاصة ب

إذا كانت الثلاجة تحتاج إلى إيقاف تشغيلها لفترة طويلة، ينبغي اتخاذ الخطوات التالية لحيلولة دون العفن على الثلاجة.

1. إزالة جميع المواد الغذائية.
2. إزالة قابس الطاقة من مأخذ التيار الكهربائي.
3. قم بتنظيف وتجفيف المناطق الداخلية بدقة.
4. تأكد من أن جميع الأبواب مفتوحة قليلاً للسماح للهواء بالتدوير.

نصائح لتوفير في استهلاك الطاقة

• ننصحك بإتباع النصائح التالية للتوفير في استهلاك الطاقة

• لتوفير الطاقة، يرجى تجنب إبقاء الباب مفتوحاً لفترة طويلة عند استخدام الثلاجة من أجل المحافظة على الطاقة

• تأكد من الأجهزة بعيداً عن أي مصادر للحرارة (أشعة الشمس المباشرة، أو فرن كهربائي موقد الخ)

• لا تقم بضبط درجة حرارة أبرد من اللازم.

• لا تقم بتخزين الطعام الساخن أو السائل المتبخر في الثلاجة.

• ضع الثلاجة الكهربائية في غرفة جيدة التهوية وخالية من الرطوبة. يرجى الرجوع إلى الفصل الخاص بتثبيت الثلاجة الكهربائية الجديدة.

• إذا كان الرسم البياني يبين التركيبة الصحيحة للحفاظ، والأدراج والرفوف، لا تعديل التركيبة حيث تم تصميم هذا لتكون أكثر كفاءة للطاقة.

نصائح لحفظ الأطعمة الطازجة

• لا تضع الطعام الساخن مباشرة في الثلاجة أو الفريزر، فإن درجة الحرارة الداخلية سوف تزيد فيجبر الضغوط على العمل بجهد أكبر، وسوف تستهلك المزيد من الطاقة.

• قم بتغطية أو لف المواد الغذائية، خاصة إذا كان لديه نكهة قوية.

• ضع الغذاء بشكل صحيح بحيث يمكن السماح بتحرك الهواء حوله بحرية.

• لف اللحوم (كل أنواع) في البوليثلين الغذائي: لف وضع على الرف الزجاجي فوق درج الخضروات. اتبع دائماً أوقات تخزين المواد الغذائية واستخدامها حسب التاريخ المقترح من قبل الشركات المصنعة.

• الطعام المطبوخ، والأطباق الباردة، وما إلى ذلك: يجب تغطيتها ويمكن وضعها على أي رف.

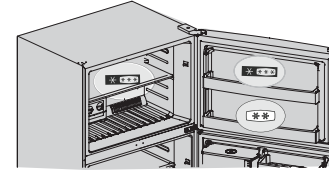
• الفواكه والخضروات:

وينبغي تخزينها في الأدراج الخاصة. الزبدة والجبن: ينبغي أن تكون ملفوفة في فويل محكم أو لفاف البلاستيك.

• الفريزر

تتكون حجرة الفريزر من قسمين. الأول هو القسم ذو الأربع نجوم، والآخر هو القسم ذو النجمتين.

درجة حرارة القسم ذي النجمتين دائماً ما تكون أقل من -12 درجة مئوية، بينما درجة الحرارة للقسم ذي الأربع نجوم دائماً ما تكون أقل من -18 درجة مئوية.



• صبّ المياه

يجب عليك استخدام الأكواب الملائمة لتناول المياه من المبرد.



تحذير!

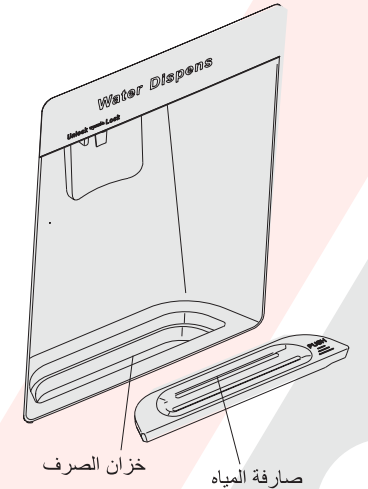
لا تقم بدفع مقبض فتح المياه مع عدم وجود كوب، حيث أن ذلك قد يتسبب في ارتشاح المياه من المبرد.

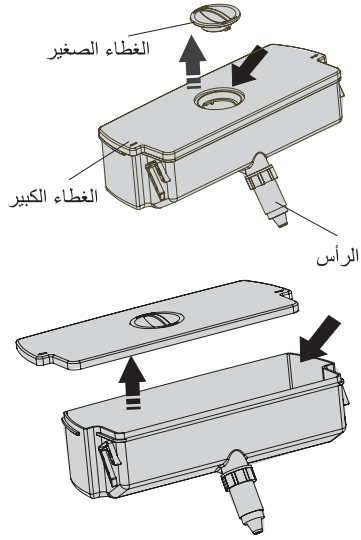
• التنظيف

1. قم بإخراج خزان الماء من الباب برفق، ثم اغسله هو والغطاء والرأس جيداً بالماء.

2. بعد انتهاء عملية التنظيف بنجاح، يجب عليك تركه لييجف وحده أو استخدم المجفف.

إذا كنت قد استخدمت مبرد المياه لعدة مرات، فقد تقع المياه الموجودة في خزان الصرف على الأرضية، وهو ما قد يؤدي إلى ابتلالها، ولذا يجب عليك تنظيف الخزان بانتظام باستخدام منشفة جافة قبل تعبئته بالماء.



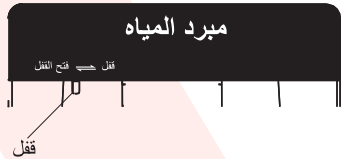


#### تحذير!

لا تلمس الأجزاء الأخرى من الجهاز أثناء تعبئة الماء، حيث أن ذلك قد يتسبب في تسرب الماء.

#### • توزيع المياه

1. تأكد من تركيب غطاء الخزان بشكل جيد.
2. أغلق باب الثلاجة وتحقق من المبرد.



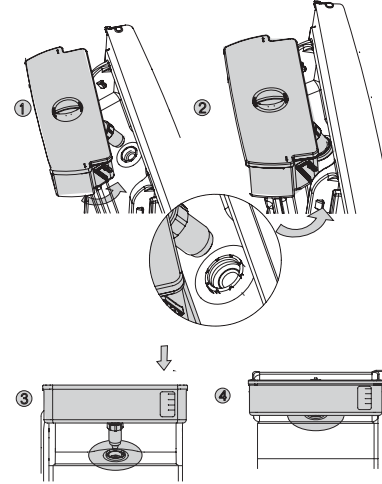
قبل توزيع المياه، تأكد من أن جهاز القفل في وضعية فتح القفل "UNLOCK".

#### تحذير!

القفل مصمم ليكون "قفل مانع لعبث الأطفال". لا تقم بدفع مقبض فتح المياه للأمام بقوة عندما يكون الموزع في وضعية القفل "LOCK"، حيث أن ذلك قد يتسبب في تلفه ميكانيكياً.

#### • التجميع

بعد التنظيف، برجاء تجميع كافة الأجزاء معاً، بما في ذلك الرأس وخزان الماء والأغطية، ثم تثبيتهم على الباب.



#### تحذير!

عند تثبيت خزان الماء، تأكد من إدخال الرأس في الفتحة أولاً، ثم قم بإمساك جانبي خزان الماء جيداً ثم تثبيته على الباب.

#### • تعبئة الماء

قبل تعبئة الخزان بالماء، تأكد من أن الخزان ثابت على الأرض وفي وضع صحيح.

#### تحذير!

املء الخزان بالماء حتى 2.5 لتر (وهي الكمية المقترحة)، ولا تضع به ماءً أعلى من المستوى المحدد. وإذا قد يحدث انسكاب للماء عند إغلاق الغطاء. ونحن نوصي باتباع الخطوات التالية عند تعبئة الخزان بالماء.

1. قم بإزالة الغطاء الصغير ثم املأ الماء من المدخل الموجود في الغطاء الكبير.
2. أزل غطاء الخزان، ثم قم بضخ الماء فيه مباشرة.

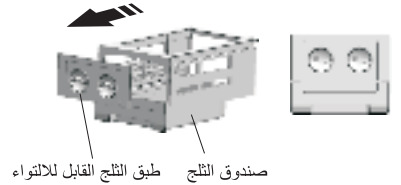
• عند إزالتك لصندوق الخضروات الطازجة، قم بسحبه للأمام، ثم رفعه عن المزاج المثبت عليها. تذكر دائماً القيام بإفراغ الأطعمة من صندوق الخضروات الطازجة أولاً. بمجرد إزالتك للدراج، احرص على دفع المزاج لتعود إلى موضعها الأصلي. • يقوم الموزع بتسهيل عملية توزيع المساحة الموجودة في صندوق الخضروات الطازجة، حتى يمكنك تخزين الأنواع المختلفة من الأطعمة بشكل منفصل.

#### طريق الثلج القابل للالتواء

يتم استخدام طريق الثلج القابل للالتواء لعمل مكعبات الثلج. يجب استخدام الطريق على النحو التالي.  
1. قم بسحب طريق الثلج القابل للالتواء خارجاً من رف التنصيب.  
2. املأه بماء الشرب (لا تقم بملئه أعلى من المستوى المحدد).  
3. قم بإعادة طريق الثلج القابل للالتواء المملوء إلى الرف مرة أخرى.  
4. انتظر لحوالي 3 ساعات، ثم قم بإدارة الطريق من مقبضه في اتجاه عقارب الساعة وستبدأ مكعبات الثلج في السقوط في صندوق الثلج تحتها.

#### تنبيه:

لا ينصح باستخدام صندوق الثلج لعمل مكعبات الثلج، حيث أن ذلك قد يتسبب في تشققه. إذا كان الأمر يستغرق وقتاً طويلاً لعمل الثلج، فلا تمسك بطريق الثلج بشكل مباشر، وذلك لتجنب التصاق الطريق بيدك وإصابتها بجروح.

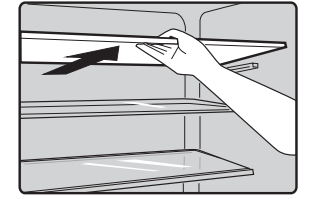
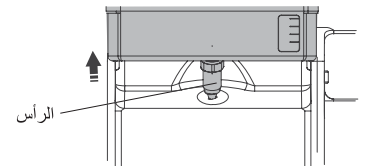


#### مبرد المياه

يستخدم مبرد المياه الموجود في باب الثلاجة لتخزين مياه الشرب. وهو ما يمكنك استخدامه للحصول على ماء بارد دون الحاجة لفتح الثلاجة. يجب عليك مراعاة النصائح التالية.

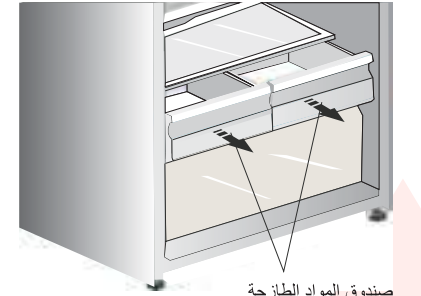
#### • قبل الاستخدام

قبل استخدام المبرد للمرة الأولى، يجب عليك اتباع التعليمات التالية لاستخدامه  
1. قم بإمساك جانبي خزان الماء جيداً، ثم ارفعه لأعلى، ثم أخرجه من الخزان.  
2. قم بفك مسامير الرأس، ثم نظف الرأس والجزء الداخلي من الخزان.



#### صندوق المواد الطازجة

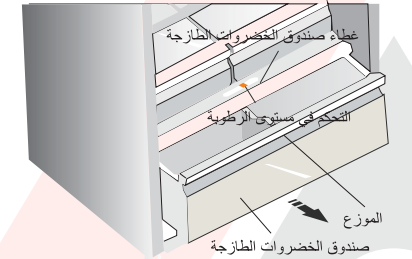
صندوق المواد الطازجة مناسب لحفظ الأسماك واللحوم والسجق طازجاً لفترة قصيرة.  
• درجة الحرارة في صندوق المواد الطازجة تكون أقل من درجة حرارة حجرة الثلاجة، حتى أنها قد تكون أدنى من الصفر المئوي.  
• لا تقم بتخزين الأطعمة التي قد تلف بسهولة عند تعرضها لدرجات التجمد، مثل الخضروات والفاكهة.



#### صندوق المواد الطازجة

التحكم في صندوق الخضروات الطازجة والرطوبة يتم استخدام صندوق الخضروات الطازجة في حفظ الخضروات والفاكهة. ويمكنك ضبط الرطوبة داخله باستخدام المؤشر المنزلق.

• يمكن للمؤشر المنزلق الموجود على غطاء صندوق الخضروات الطازجة التحرك يساراً ويميناً، وتتغير فتحة الهواء بالضيق والانتعاش وفقاً لحركته. فعند اتساع فتحة الهواء تقل الرطوبة والعكس بالعكس.  
• نوصي بتخزين الخضروات في مستوى رطوبة عالٍ والفاكهة في مستوى رطوبة أقل.



استخدم جهازك وفقاً لقواعد التحكم التالية، فـجهازك به الوظائف والأوضاع المقابلة للوحات التحكم المعروضة في الصور أدناه. عند تشغيل الجهاز للمرة الأولى، ستبدأ الأضواء الخلفية للأيقونات الموجودة على شاشة العرض في العمل. وإذا لم يتم الضغط على أي زر مع إغلاق الباب، فحينها تنطفئ الأضواء الخلفية.



### التحكم في درجة الحرارة

نوصي عند بدء تشغيل الثلاجة الخاصة بك لأول مرة، أن يتم تعيين درجة حرارة الثلاجة على 4°C والفرزير على 18°C. إذا كنت ترغب في تغيير درجة الحرارة، اتباع التعليمات الواردة أدناه لتنبيه! عند تعيين درجة الحرارة، تعيين متوسط درجة الحرارة لكبينة الثلاجة الكهربائية بأكملها يمكن لدرجات الحرارة داخل الحجرة أن تختلف عن كل درجات الحرارة المعروضة على لوحة، وهذا يتوقف على كم الطعام الذي تم تخزينه والمكان الذي تم وضعه يمكن رفع أو خفض درجة حرارة الغرفة أن يؤثر أيضاً على درجة الحرارة داخل الثلاجة الكهربائية الفعلية.

### 1. الفريزر

اضغط على زر الفريزر "T" لضبط حرارة الفريزر ما بين 14- درجة مئوية إلى 24 درجة مئوية بحسب الطلب، وستقوم شاشة العرض بإظهار القيمة المتوافقة وفقاً للتسلسل التالي.



### 2. سوپر فريز

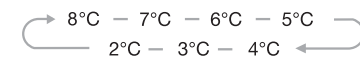
سوف يخفض سوپر فريز درجة الحرارة بسرعة داخل الفريزر حتى يجمد الغذاء بشكل أسرع. وهذا يمكن تأمين الفيتامينات والمواد المغذية من الطعام الطازج والحفاظ على المواد الغذائية الطازجة لفترة أطول.



- وسوف يضيء الضوء
- في حالة الحد الأقصى لمقدار الطعام المراد تجميده، يرجى الانتظار حوالي 24 ساعة.
- سوپر تجميد تلقائياً يتوقف عن العمل بعد 32 ساعة ودرجة حرارة الفريزر تعود الى وضع C-25°.
- عند عمل وضع سوپر فريز يمكنك إيقاف الوضع بالضغط على زر " سوپر فريز" أو " فريزر" وسوف تعود درجة حرارة الى الوضع السابق.

### 3. الثلاجة

اضغط على زر الثلاجة "T" لضبط حرارة الفريزر ما بين 2 درجة مئوية إلى 8 درجة مئوية بحسب الطلب، وستقوم شاشة العرض بإظهار القيم المتوافقة وفقاً للتسلسل التالي.



### 4. بارد جداً

يمكن لوضع بارد جداً ان يقوم بتبريد بشكل أسرع، مما يبقي الطعام طازج لفترة طويلة من الزمن، اضغط على "بارد جداً" لتفعيل وظيفة بارد جداً. سوف تضيء الإضاءة. تفعيل وظيفة سوپر كول سوف يضيء الضوء



- عند يتم تفعيل وظيفة سوپر كول، سيتم إضاءة الرمز المقابل.
- عند وظيفة السوبر كول في وضع التشغيل، يمكنك إيقاف تشغيل وظيفة السوبر كول عن طريق الضغط على زر "سوبر كول" أو الزر "ثلاجة" ووضع درجة حرارة الثلاجة ستعود مرة أخرى إلى الإعداد السابق .

### 5. عطلة

إذا كنت تريد الذهاب بعيداً لوقت طويل من الزمن، فإن وظيفة "عطلة" هو الخيار الأفضل لك، يمكنك تفعيل هذه الوظيفة عن طريق الضغط على لمدة ثلاث ثواني حتى يضيء الضوء.



عند تفعيل وظيفة العطلة يتم التغيير تلقائياً لدرجة حرارة الثلاجة إلى 15°C للحد من استهلاك الطاقة. مهم! لا تقم بتخزين أي طعام في الثلاجة خلال هذه الفترة. عندما تكون وظيفة العطلة في وضع التشغيل، يمكنك إيقاف التشغيل عن طريق الضغط على أي زر "عطلة"، "الثلاجة" و "سوبر كول" فإن درجة حرارة للثلاجة تعود مرة أخرى إلى الإعدادات السابقة.

### 10. الإنذار

في حالة الإنذار "الإنذار" أيقونة سوف تضيء و سوف يصدر صوت طنين . اضغط على "الإنذار" لإيقاف الإنذار و من ثم الأندر سوف ينطفئ و يتوقف الطنين.

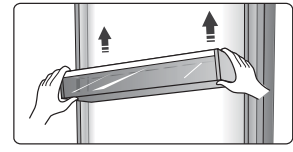


### استخدام الثلاجة الكهربائية الخاصة بك

تم عرض ملحقات جهازك بشكل عام في قسم "وصف الجهاز"، وستجد في هذا الجزء التعليمات التي ستساعدك على استخدام الجهاز بشكل صحيح.

### حامل الباب

- مناسب لتخزين البيض والسوائل المعلبة والمشروبات المعبأة في زجاجات والأطعمة المحفوظة وغيرها. لا تقم بوضع العديد من الأشياء الثقيلة في الحوامل.
- يمكن تعديل وضع رف الباب الأوسط على ارتفاعات مختلفة بحسب احتياجاتك. برجاء إخراج الأطعمة من على الرف قبل رفعه عمودياً لإعادة ضبط موضعه.



### إنذار الباب

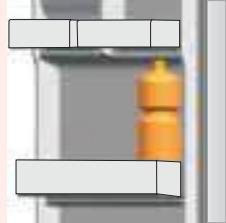
- إذا تركت باب الثلاجة أو الفريزر مفتوحاً لأكثر من دقيقتين، فحينها ينطلق إنذار الباب. في حال إنطلاق إنذار الباب، يقوم الطنن بإطلاق صوت الإنذار لثلاث مرات في الدقيقة ثم يتم إيقاف الإنذار بعد 10 دقائق.
- لتوفير الطاقة، برجاء عدم ترك الأبواب مفتوحة لفترات طويلة عند استخدام الثلاجة. في حال إنطلاق إنذار الباب، يمكنك إيقاف الإنذار عن طريق إغلاق الأبواب.

### إنذار درجة الحرارة

- إذا كانت درجة حرارة الفريزر مرتفعة للغاية بسبب انقطاع التيار الكهربائي أو لأسباب أخرى، فإنه سيتم إعطاء إنذار درجة الحرارة ودرجة حرارة الفريزر تعرض اعدادات "-".
- في حالة إنذار درجة الحرارة، الجرس سوف يصدر الصوت باستمرار لمدة 10 مرة.
- في حالة إنذار درجة الحرارة إذا اردت التأكد من أعلى درجة حرارة في الفريزر اضغط على، " إنذار" لمدة ثلاث ثواني. فإن قيمة درجة الحرارة وأيقونة "إنذار" تومض في وقت واحد لمدة 5 ثوان.
- تنبيه! عندما يتم تشغيل الثلاجة الكهربائية مرة أخرى، فمن الطبيعي أن تظهر درجة الحرارة والتنبيه يمكنك اضغط على زر "إنذار" لإلغاءه.

### حامل الزجاجات

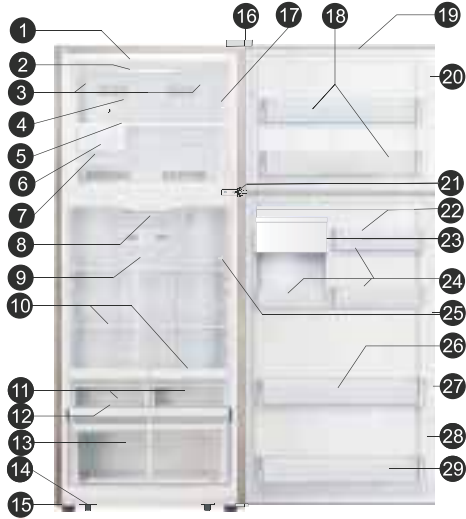
يمكن استخدام حامل الزجاجات لتثبيت الزجاجات فيه.



ملحوظة: هناك أطباق بيض في الرف العلوي وحامل زجاجة في الرف السفلي. الرف في حجرة الثلاجة هناك أرفف في حجرة الثلاجة، ويمكن إخراجها لتنظيفها.

## وصف الجهاز

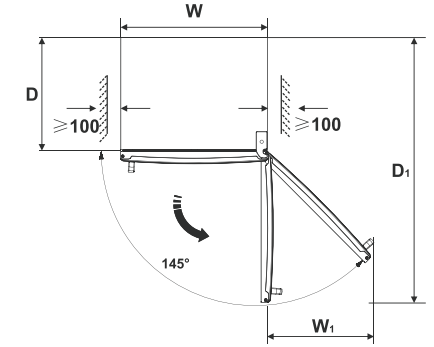
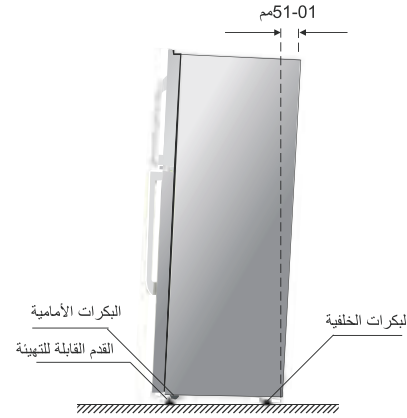
مظهر الجهاز



1. خزنة
2. لمبة إضاءة (داخلية)
3. غطاء فتحة مسمار لولبي
4. قناة هواء تبريد في حجرة التجميد (الفریزر)
5. رف زجاجي
6. طبق الثلج القابل للالتواء
7. صندوق تخزين الثلج
8. لمبة إضاءة (داخلية)
9. قناة هواء تبريد في حجرة المبرد (الثلاجة)
10. رف زجاجي
11. صندوق المواد الطازجة
12. مواضع تركيب الأرفف
13. صندوق الخضروات الطازجة
14. البكرات
15. القدم القابلة للتهيئة
16. غطاء المفصلة العليا
17. مفتاح استشعار فتح وغلق الباب
18. حامل باب الفريزر
19. سدادة باب الفريزر
20. باب الفريزر
21. المفصلة الوسطى
22. طبق البيض (داخلي)
23. خزان ماء
24. حامل الباب الصغير
25. مفتاح استشعار فتح وغلق الباب
26. حامل الباب الأوسط
27. باب الثلاجة
28. سدادة باب الثلاجة
29. حامل الباب السفلي

**ملحوظة:** نظراً للتعديل المستمر على منتجاتنا، فقد تجد بعض التغييرات البسيطة في ثلاثتك عن المواصفات الموجودة في دليل الاستخدام هذا، إلا أن الوظائف وطرق الاستخدام تظل كما هي. ملحوظة: تم ترتيب الأرفف والأدراج لتحقيق أقصى فعالية للطاقة عند تسليم الثلاجة.

1. ربط مناسب) إلى أن تلامس الأرضية.
2. قم بإزالة الثلجة للخلف بحوالي 10-15 مم عن طريق إدارة القدم 1-2 لفة إضافية. وهو ما سيسمح للأبواب بإغلاق نفسها موفراً للثلاجة إغلاقاً محكمًا للأبواب.
3. متى رغبت في نقل الجهاز، فأحرص دائماً على إدارة القدم لأعلى إلى موضعها الأصلي حتى يتسنى لك تحريك الجهاز بسهولة. أعد تنصيب الجهاز مرة أخرى عند نقله إلى مكان آخر.
- تحذير!** لا يجب استخدام البكرات، والتي ليست عجلات، إلا في تحريك الجهاز للأمام والخلف فقط. حيث أن تحريك الثلاجة من الجنب قد يتسبب في وقوع أضرارٍ لأرضيتك والبكرات.



المعلومات ذات الصلة

الطرز	ثابت لـمم	W	W <sub>1</sub>	D	D <sub>1</sub>
FNT-D700HT	860	696	600	1487	

### ملاحظة!

- هذه الثلاجة الكهربائية تعمل بشكل جيد في فئة المناخ أذناه. قد لا تعمل بشكل صحيح إذا تترك في درجة حرارة أعلى أو أقل من النطاق المشار إليه لفترة طويلة.

فئة المناخ	درجة الحرارة المحيطة
SN	+10°C to +32°C
N	+16°C to +32°C
ST	+16°C to +38°C
T	+16°C to +43°C

- أوقف الثلاجة الكهربائية الخاصة بك في مكان جاف لتجنب الرطوبة العالية.
- إبقاء الثلاجة الكهربائية بعيداً عن أشعة الشمس المباشرة والأمطار أو الصقيع. أوقف الثلاجة بعيداً عن مصادر الحرارة مثل الحرائق، والمواقد أو أجهزة التدفئة.

### وضع الجهاز على الأرض

يجب وضع الجهاز في مستوى أعلى من الأرض لتجنب حدوث الذبذبات. ونحن نوصي باتباع الخطوات التالية عند تثبيت الجهاز على الأرض.

1. قم بتحريك الثلاجة إلى مكانها.
2. قم بإدارة القدم القابلة للتهيئة (بأصابعك أو بمفتاح

المبرد (R600a) قابل للاشتعال.



تحذير: خطر حدوث حرائق

• لا تقم بتخزين المنتجات المحتوية على مواد قابلة للاشتعال (مثل عبوات الإسبراي) أو مواد متفجرة في الجهاز.

إذا تعرضت دائرة المبرد للتلف:

• تجنب استخدام مسبار التلوث (الشموع، والمصابيح، وغيرها) ومصائد الإشعاع.  
• قم بنهوية الغرفة التي يوجد بها الجهاز تمامًا.

• لا تفصل الجهاز بسحب السلك الكهربائي. دائمًا قم بالامسك بـ القابس الرئيسي بقوة وسحب مباشرة من مأخذ التوصيل لمنع تلف سلك الطاقة.  
• لا تقم بتشغيل الجهاز بدون غطاء ضوء الإنارة الداخلية.  
• يجب أن يتم استبدال أي مكون أو إصلاح الكهربائي من قبل كهربائي مسجل مزهل معتمد أو مهندس الخدمة. وبدعي استخدام قطع الغيار الأصلية فقط.  
• لا تستخدم الأجهزة الكهربائية مثل صناعات الأيس كريم داخل حجرات تخزين المواد الغذائية من التلاجة، ما لم تتم الموافقة عليها من قبل الشركة المصنعة.  
• لا ننظر مباشرة إلى مصباح LED الموجود في مفسورة التلاجة مع الأنوار المبردة لتجنب إصابات العين. إذا كان لا يعمل بشكل صحيح استشارة المؤهلين الكهربائي.

المبرد

تم تزويد المبرد بعقز إيزوبوتون (R600a) في دائرة المبرد الموجودة في الجهاز، وهو غاز طبيعي صديق للبيئة بدرجة عالية وقابل للاشتعال. تأكد من عدم تعرض أي مكون من مكونات دائرة المبرد للتلف خلال عملية نقل الجهاز أو تنصيبه.

## تركيب الجهاز الحديد

قبل استخدام التلاجة لأول مرة، يجب أن تكون على علم بالتصائح التالية.

تهوية التلاجة الكهربائية



من أجل تحسين كفاءة نظام التبريد وحفظ الطاقة، من الضروري للحفاظ على تهوية جيدة للتلاجة الكهربائية حول التلاجة لتبريد الحرارة. هذا السبب ينبغي أن تكون مساحة كافية واضحة متاحة حول التلاجة. اقتراح: ومن المستحسن أن يكون هناك 75 ملمتر من الفضاء من الخلف على الجانب على الأقل من قمته و100 ملمتر، 100 ملمتر على الأقل من جانبيها إلى الحائط ومفتحة مساحة واضحة لتسمح لفتح الأبواب 145 درجة. انظر في المخططات التالية



## السلامة من الكهرباء



لتجنب المخاطر التي تكون دائما موجودة عند استخدام الأجهزة الكهربائية، نحن ننصح تولي اهتماما أكبر للتعليمات حول الكهرباء أدناه.  
• فك حزم الجهاز والتحقق من خلال الجهاز. يجب أن يكون واضحا أي ضرر، لا توصل الأجهزة ولكن اتصل فورا بالمحل الذي اشتريته منه. إبقاء كل مواد التعبئة والتغليف في هذا  
• ننصح الانتظار لمدة 4 ساعات قبل توصيل الأجهزة للسماح لغازات التبريد في التدفق الى الضاغط.  
• يجب أن يطبق الجهاز مع أحادية الطور من التيار المتردد 220V/240-V/50HZ. إذا كان الجهد يتذبذب يتجاوز الحد الأعلى، ينبغي استخدام منظم الجهد التلقائي لأكثر من 350W إلى التلاجة للاستخدام الآمن.  
• يجب أن القابس الرئيسية في المتناول عند تثبيت الأجهزة.  
• يجب تأريض هذا الجهاز.  
هذه الأجهزة يتم تركيبها مع المكونات مع فتيل وفقا للمعيار المحلية. ينبغي أن تكون القابس مع فتيل مناسبة للاستخدام في جميع المنازل مزودة مأخذ وفقا للمواصفات الحالية. إذا قابس-المجهزة ليست مناسبة لل مأخذ الخاص، ينبغي عليه قطعه والتخلص منه بعناية. لتجنب خطر الصدمة الكهربائية الممكنة، لا تقم بإدخال القابس المتضرر في المأخذ. إذا كنت في شك، اتصل بالمؤهلين، كهربائي مسجل.  
• لا تستخدم أسلاك التمديد أو مأخذ متعددة التي يمكن أن تسبب حمل كهربائي زائد للدوائر التوصيلات ويمكن أن يسبب حريقا.  
القابس الأجهزة الخاصة بك دائما قم بتوصيل المقبس الكهربائي بمأخذ كهربائي فردي خاص الذي لديه جهد مطابقة لوحة التصنيف.  
• تأكد من أن القابس ليست مسحوق أو تلف، وإلا، فإنه قد يسبب بنمسا كهربائي، أو ارتفاع درجة حرارة صدمة كهربائية وحتى ينتج عنه حدوث حريق.  
• لا تقم بإدخال القابس الرئيسي لتيار الكهربائي إذا كان مأخذ غير محمتهنك خطر التعرض لصدمة كهربائية أو نشوب حريق.  
• إيقاف تشغيل الأجهزة وفصله عن التيار الكهربائي قبل تنظيفه أو نقله.

• لا تضع اشياء ساخنة بالقرب من المكونات البلاستيكي للجهاز.  
الطعام المجمع يجب عدم تجميده مرة أخرى بعد إذابته.  
• لا تحفظ قوارير المشروبات او العلب (خصيصا المشروبات الغازية) في حجرة التجميد. العلب والقوارير قد تتفجر.

• لا تستخدم المصاصات او مكعبات الثلج مباشرة من الفريزر والتي قد تتسبب بحرق جليدي للغم أو الشفتين.  
• لتجنب سقوط اشياء وإحداث إصابات أو ضرر بالجهاز، لا تحمل أدرج الباب للثلاجة أو وضع الكثير من الطعام في أدرج الهشة.

تحذير

• تأكد من خلو فتحات التهوية الموجودة في الهيكل الخارجي للجهاز أو في الهيكل الداخلي من أي معوقات.  
• لا تستخدم أي أجهزة ميكانيكية أو أي وسيلة أخرى لزيادة سرعة عملية إزالة الثلج سوى تلك الموصى بها من قبل الشركة الصانعة.  
• لا تتسبب في تلف دائرة المبرد.  
لا تستخدم أي أجهزة كهربائية داخل الأماكن المخصصة لحفظ الطعام في هذا الجهاز، إلا إذا كانت من الأنواع الموصى بها من قبل الشركة الصانعة.  
• إذا كان كابل الطاقة تالفا، فيجب استبداله من قبل الشركة الصانعة أو وكيل الصيانة التابع لها أو الأشخاص المؤهلين على نفس المستوى، وذلك لتجنب تعرضك للخطر.  
• لا يجب التخلص من الجهاز إلا في مركز معتمد للتخلص من النفايات. لا تقم بتعرض الجهاز لألسنة اللهب.

## السلامة للأطفال والأشخاص العاجزين



هذا الجهاز غير مخصص للإستخدام من قبل الأشخاص (بالإضافة الى الأطفال) ذو الإعاقة الجسدية، الحسية والعقلية، أو الأشخاص الذين يفتقروا الى الخبرة والمعرفة، إلا إذا تم الإرشاد والرقابة بكيفية الإستخدام للجهاز من قبل شخص مسؤول عن سلامتهم. 25. يجب مراقبة الأطفال حتى يتم التأكد من عدم عبث الأطفال بهذا الجهاز.  
• قم بحفظ كل أغلفة الجهاز بعيدا عن الأطفال لتجنب خطر الاختناق.  
• احمي الأطفال من خطر الحرق وذلك بلمس الكابس الساخن جدا في أسفل موخرة التلاجة.  
• لا تضع اشياء على التلاجة وذلك لإحتمال الاصابة في حالة وقوعها.  
• يجب عدم ترك الأطفال اللعب بالتلاجة وذلك بالتعلق أو الوقوف على الباب، الادراج، أو الرفوف الخ.



- 2.....مقدمة قصيرة.
- 2.....تعليمات سلامة هامة.
- 4.....تركيب الجهاز الجديد.
- 6.....وصف الجهاز.
- 7.....عرض عناصر التحكم.
- 8.....استخدام الثلاجة الكهربائية الخاصة بك.
- 12.....تلميحات ونصائح مفيدة.
- 13.....التنظيف والرعاية.
- 14.....إستكشاف الأخطاء وإصلاحها.
- 15.....التخلص من الثلاجة.

## مقدمة قصيرة

- من أماكن العمل.
- منازل المزارع والزبائن في الفنادق، الفنادق الصغيرة وغيرها من أماكن الإقامة.
- البيئات الفراش والأفطار.
- إذا شعرت ان الجهاز لا يعمل بشكل صحيح، الرجاء انظر في صفحة مشاكل وحلول للمساعدة. إذا مازلت تشعر بشك قم بالتواصل مع خدمات العملاء للمساعدة او لترتيب إرسال مهندس لمساعدتك.

- نشكرك لإختيارك منتجات هاي سنز. نحن متاكدين من أنك سوف تجد جهازنا الجديد ممتع الاستخدام، قبل إستخدام الجهاز، ننصحك بقراءة هذا الدليل بدقة، والذي سوف يوفر لك معلومات عن استخدام الجهاز وخصائصه.
- الرجاء التاكيد من أن كل الاشخاص الذين يستخدمون هذا الجهاز على دراية بطريقة تشغيله وكذلك مميزات السلامة الخاص به. من المهم ان يتم تثبيت الجهاز بطريقة صحيحة والانتباه الى تعليمات السلامة بحذر.
- ننصحك ان تبقي دليل المستخدم مع الجهاز كمرجع في المستقبل واعطاه الى اي مستخدمين لهذا الجهاز في المستقبل.
- الجهاز مخصص للإستخدام المنزلي والتطبيقات المماثلة مثل:
- منطقة موظفين المطبخ في المحلات، المكاتب وغيرها

## تعليمات سلامة هامة

### السلامة العامة والاستخدام اليومي

- أنتبه ان لا تتلف انابيب دارة التبريد.
- لا تضع الكثير من الطعام مباشرة ماقبل لفتحات الهواء على الجدار الخلفي لحرارة التبريد والتلجيج، والتي قد تضر بكفاءة دوران الهواء.



- من المهم إستخدام هذا الجهاز بأمان. ننصحك بإتباع النصائح التالية:
- قم بحفظ أي طعام بالتوافق مع تعليمات الحفظ للمصنع.
- لا تستخدم الأجهزة الميكانيكية أو أية وسيلة أخرى لتسريع عملية الذوبان، ما لم يتم الموافقة عليها من قبل الشركة المصنعة.
- لا تحاول إصلاح الجهاز بنفسك. فمن الخطورة بمكان أن يغير مواصفات المنتج أو تعديل هذه بأي شكل من الأشكال. أي الأضرار تلحق بكيبيل الطاقة قد يؤدي الى ماس كهربائي، حريق أو صدمة كهربائية.



الطراز: RFHA-TM755NDS