



ثلاجة دليل المستخدم

Refrigerator User's Manual

الموديل:

RFHA-TM600NDS ▲

Model:

▲ RFHA-TM600NDS

الرجاء قراءة هذا الدليل بعناية قبل تشغيل الجهاز،
و احتفظ به للرجوع إليه مستقبلا.
هذه التصاميم و المواصفات عرضة للتغيير بهدف إدخال تحسينات عليها
و ذلك دون إشعار مسبق.

Please read this manual carefully before operating your set.
Retain it for future reference.
Designs and specifications are subject to change for improvement
without prior notice.

ISO9001 CE

ISO9001 CE





Model: RFHA-TM600NDS

Contents

Safety and warning information.....	1	Cleaning and care.....	13
Installing your new appliance.....	7	Helpful hints and tips.....	15
Description of the appliance.....	10	Troubleshooting.....	16
Controls panel.....	11	Disposal of the appliance.....	17
Using your appliance.....	12		



Safety and warning information

For your safety and correct usage, before installing and first using the appliance, read this user manual carefully, including its hints and warnings. To avoid unnecessary mistakes and accidents, it is important to make sure that all people using the appliance are thoroughly familiar with its operation and safety features. Save these instructions and be sure that they remain with the appliance if it is moved or sold, so that anyone using it throughout its life, will be properly usage and safety notices. For the safety of life and property, keep the precautions of these user's instructions as the manufacturer is not responsible for damages caused by omission.

Safety for children and others who are vulnerable people

- According to EN standard

This appliance can be used by children aged from 8 years and above and persons with reduced physical, sensory or mental capabilities or lack of experience and knowledge if they have been given supervision or instruction concerning use of the appliance in a safe way and understand the hazards involved. Children shall not play with the appliance. Cleaning and user maintenance shall not be made by children without supervision.

According to IEC standard

This appliance is not intended for use by persons (including children) with reduced physical, sensory or mental capabilities, or lack of experience and knowledge, unless they have been given supervision or instruction concerning use of the appliance by a person responsible for their safety

- Keep all packaging away from children as there is risk of suffocation
- If you are discarding the appliance, pull the plug out of the socket, cut the connection cable (as close to the appliance as you can) and remove the door to prevent children playing from suffering an electric shock or from closing themselves inside it.
- If this appliance, featuring a magnetic door seals, is to replace an older appliance having a spring lock (latch) on the door or lid, be sure to make the spring lock unusable before you discard the old appliance, becoming a death trap for a child.

General Safety



- **WARNING** — This appliance is intended to be used in household and similar applications such as
 - staff kitchen areas in shops, offices and other working environments;
 - farm houses and by clients in hotels, motels and other residential type environments;
 - catering and similar non-retail applications.
- **WARNING** — Do not store explosive substances such as aerosol cans with a flammable propellant in this appliance.
- **WARNING** — If the supply cord is damaged, it must be replaced by the manufacturer, its service agent or similarly qualified persons in order to avoid a hazard.
- **WARNING** — Keep ventilation openings, in the appliance enclosure or in the built-in structure, clear of obstruction.
- **WARNING** — Do not use mechanical devices or other means to accelerate the defrosting process, other than those recommended by the manufacturer
- **WARNING** — Do not damage the refrigerant circuit.
- **WARNING** — Do not use electrical appliances inside the food storage compartments of the appliance, unless they are of the type recommended by the manufacturer.

WARNING — The refrigerant and insulation blowing gas are flammable. When disposing of the appliance, do so only at an authorized waste disposal centre. Do not expose to flame.

WARNING — When positioning the appliance, ensure the supply cord is not trapped or damaged.

WARNING — Do not locate multiple portable socket-outlets or portable power supplies at the rear of the appliance.

Replacing the illuminating lamps

WARNING — The illuminating lamps must not be replaced by the user! If the illuminating lamps is damaged, contact the customer helpline for assistance. This warning is only for refrigerators that contain illuminating lamps.

Refrigerant

The refrigerant isobutene (R600a) is contained within the refrigerant circuit of the appliance, a natural gas with a high level of environmental compatibility, which is nevertheless flammable. During transportation and installation of the appliance, ensure that none of the components of the refrigerant circuit becomes damaged.

The refrigerant (R600a) is flammable.

WARNING — Refrigerators contain refrigerant and gases in the insulation. Refrigerant and gases must be disposed of professionally as they may cause eye injuries or ignition. Ensure that tubing of the refrigerant circuit is not damaged prior to proper disposal.



Warning: risk of fire

If the refrigerant circuit should be damaged:

- Avoid opening flames and sources of ignition.
- Thoroughly ventilate the room in which the appliance is situated.

It is dangerous to alter the specifications or modify this product in any way Any damage to the cord may cause a shortcircuit, fire, and/or electric shock.



Electrical safety

- 1.The power cord must not be lengthened.
2. Make sure that the power plug is not crushed or damaged.
A crushed or damaged power plug may overheat and cause a fire.
3. Make sure that you can access the main plug of the appliance.
4. Do not pull the main cable.
5. If the power plug socket is loose, do not insert the power plug. There is a risk of electric shock or fire.
6. You must not operate the appliance without the interior lighting lamp cover.
- 7.The fridge is only applied with power supply of single phase alternating current of 240~220V/50Hz. If fluctuation of voltage in the district of user is so large that the voltage exceeds the above scope, for safety sake, be sure to apply A.C. Automatic voltage regulator of more than 350W to the fridge. The fridge must employ a special power socket instead of common one with other electric appliances. Its plug must match the socket with ground wire.

Daily use

- Do not store flammable gass or liquids in the appliance, There is a risk of an explosion.
- Do not operate any electrical appliances in the appliance (e.g,electric ice cream makers,mixers etc.).
- When unplugging always pull the plug from the mains socket,do not pull on the cable.
- Do not place hot items near the plastic components of this appliance.

- Do not place food products directly against the air outlet on the rear wall.
- Store pre-packed frozen food in accordance with the frozen food manufacture's instructions.
- The appliances manufactures storage recommendations should be strictly adhered to .Refer to relrelevant instructions for storage.
- Do not place carbonated or fizzy drinks in the freeze compartment as it creates pressure on the container which may cause it to explode,resulting in damage to the appliance.
- Frozen food can cause frost burns if consumed straight from the freezer compartment.
- Do not place the appliance in direct sunlight.
- Keep buring candles,lamps and other items with naked flames away from the appliance so that do not set the appliance on fire.
- The appliance is intended for keeping food stuff and/or beverages in normal household as explained in this instruction booklet .
- The appliance is heavy .Care should be taken when moving it.
- Do not remove nor touch items from the freezer compartment if your hands are damp/wet,as this could cause skin abrasions or frost/freezer burns.
- Never use the base,drawers, doors etc. to stand on or as supports.
- Frozen food must not be refrozen once it has been thawed out.
- Do not consume ice popsicles or ice cubes straight from the freezer as this can cause freeze burn to the mouth and lips.
- To avoid items falling and causing injury or damage to the appliance, do not overload the door racks or put too much food in the crisper drawers.

caution!

Care and cleaning

Before maintenance, switch off the appliance and disconnect the mains plug from the mains socket. Do not clean the appliance with metal objects, steam cleaner, ethereal oils, organic solvents or abrasive cleaners. Do not use sharp objects to remove frost from the appliance. Use a plastic scraper

Installation Important!

For electrical connection carefully, follow the instructions given in this manual. Unpack the appliance and check if there are damages on it. Do not connect the appliance if it is damaged. Report possible damages immediately to the place you bought it. In this case retain packing. It is advisable to wait at least four hours before connecting the appliance to allow the oil to flow back in the compressor. Adequate air circulation should be around the appliance, lacking this leads to overheating. To achieve sufficient ventilation, follow the instructions relevant to installation. Wherever possible the back of the product should not be too close to a wall to avoid touching or catching warm parts (compressor, condenser) to prevent the risk of a fire, follow the instructions relevant to installation. The appliance must not be located close to radiators or cookers. Make sure that the mains plug is accessible after the installation of the appliance.

Service

Any electrical work required to do the servicing of the appliance should be carried out by qualified electrician or competent person. This product must be serviced by an authorized Service Center, and only genuine spare parts must be used.

- 1) If the appliance is Frost Free.
- 2) If the appliance contains freezer compartment.

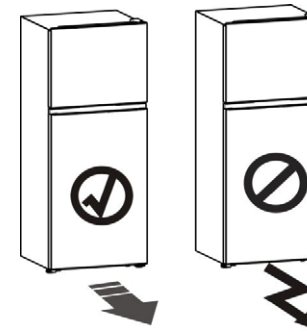
Installing your new appliance

Before using the appliance for the first time, you should be informed of the following tips.

Warning!

For proper installation, this refrigerator must be placed on a level surface of hard material that is the same height as the rest of the flooring. This surface should be strong enough to support a fully loaded refrigerator.

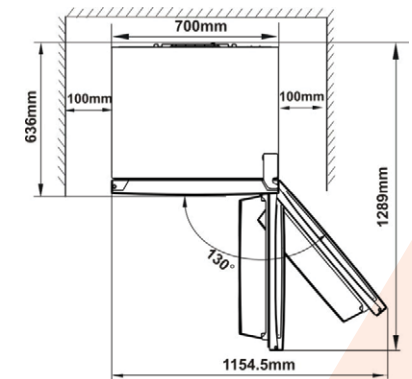
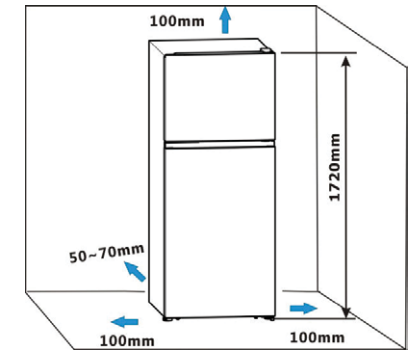
The rollers, which are not castors, should be only used for forward or backward movement. Moving the refrigerator sideways may damage your floor and the rollers.



Ventilation of appliance

In order to improve efficiency of the cooling system and save energy, it is necessary to maintain good ventilation around the appliance for the dissipation of heat. For this reason, sufficient clear space should be available around the refrigerator.

Suggest: It is advisable for there to be 50-70mm of space from the back to the wall, at least 100mm from its top, at least 100mm from its side to the wall and a clear space in front to allow the doors to open 130°. As shown in follow diagrams.



Note:

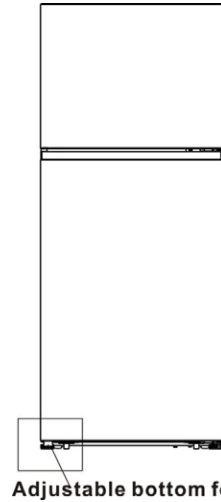
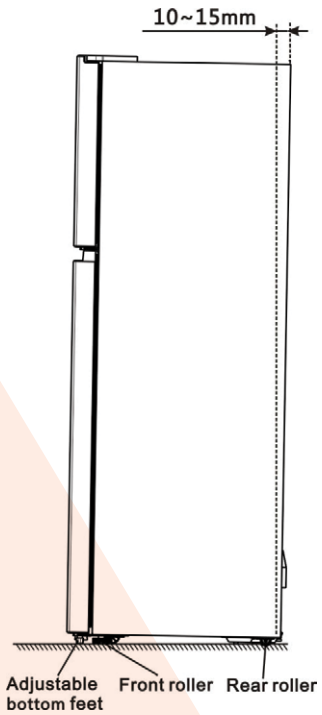
This appliance performs well within the climate class from N to T showed in the table below. It may not work properly if being left at a temperature above or below the indicated range for a long period.

Climate class	Ambient temperature
N	+16°C to +32°C
ST	+16°C to +38°C
T	+16°C to +43°C

- Stand your appliance in a dry place to avoid high moisture.
- Keep the appliance out of direct sunlight, rain or frost. Stand the appliance away from heat sources such as stoves, fires or heaters.

Leveling of appliance

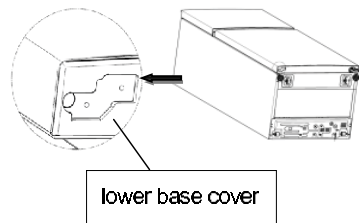
- For sufficient leveling and air circulating in the lower rear section of the appliance, the bottom feet may need to be adjusted. You can adjust them manually by hand or by using a suitable spanner.
- To allow the doors to self-close, tilt the top backwards by 10-15mm.



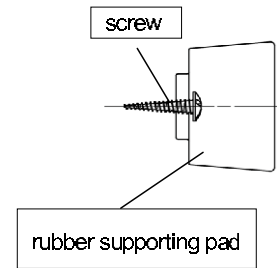
Note:

- If required you may lay the refrigerator on its back in order to gain access to the base, you should rest it on soft foam packaging or similar material to avoid damaging the backboard of the refrigerator.
- There is no need to install these accessories under normal usage. Only under the extreme circumstances, that is opening the door about 90 degree, this refrigerator may take risk of tipping. Then rubber supporting pad should be fastened to the lower base cover to steady this appliance.

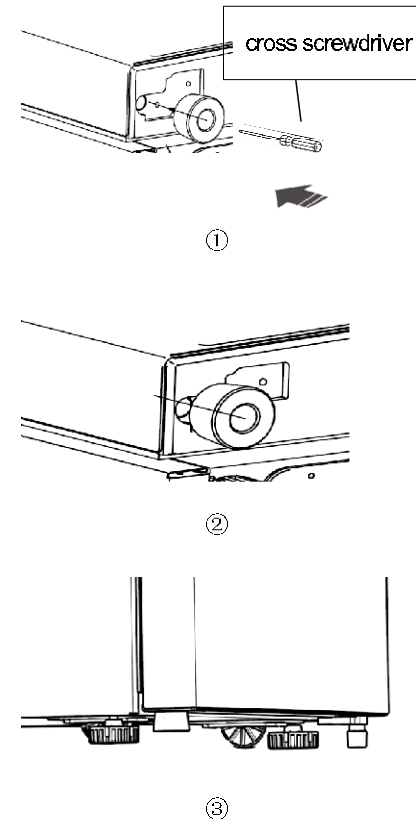
1. Tilt appliance to find screw hole on the left of lower base cover.



2. Put screw into the hole of rubber supporting pad.

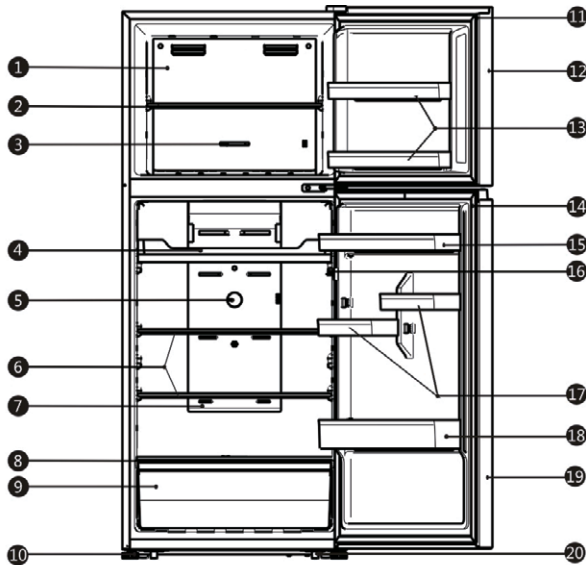


3. Make screw in alignment with the hole on lower base cover. Fasten rubber supporting pad to the base cover firmly by a cross screwdriver (self-provided).



Description of the appliance

1. Freezer wind channel
2. Freezer shelf
3. Freezer temp control
4. Fridge shelf
(Or Multifunctional tray)
5. Fridge temp control
6. Fridge shelf
7. Fridge wind channel
8. Crisper cover
9. Crisper
10. Adjustable bottom feet
11. Freezer door gasket
12. Freezer door
13. Freezer door rack
14. Fridge door gasket
15. Upper door rack
16. Door switch
17. Small door rack
18. Lower door rack
19. Fridge door
20. Roll wheel



Note !

- Due to unceasing modification of our products, your refrigerator may be slightly different from this instruction manual, but its functions and using methods remain the same.
- To get the best energy efficiency of this product, please place all shelves, drawers and baskets on their original position as the illustration above.

Control panel

Use your appliance according to the following regulations, your appliance has the corresponding functions as the control panels showed in the pictures below

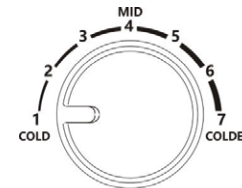
Temperature regulator in refrigerator chamber

- Insufficient refrigeration in chamber. Set the temperature controller at "COLDER".
- Using the refrigerator in normal. Set the temperature controller at "MID".

Important!
High ambient temperatures (e.g. on hot summer days) and a colder setting on the temperature regulator can cause the compressor to run continuously or even non-stop!

So we do not advise the user set the temperature control knob at "COLDER" or "COLD" in normal.

Reason: when the ambient temperatures high, the compressor must run continuously to maintain the low temperature in the appliance



REFRIGERATOR
TEMP CONTROL

Temperature regulator in freezer chamber

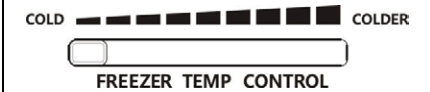
The temperature regulator allows you to regulate the temperature inside the Freezer.

- In case of too much frozen food or ice making in chamber. Please set the temperature control knob at "COLDER" position.

- In case of using the refrigerator usual condition. Please set the temperature regulator at the middle position.
- In case of a little frozen food in chamber. Please set the temperature controller at "COLD" position.

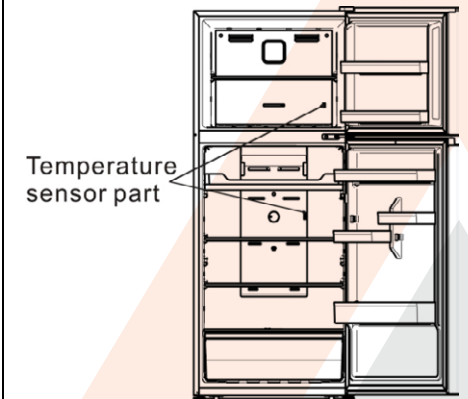
Important!

So we do not advise the user set the temperature control knob at "COLDER" or "COLD" in normal. When you turn the knob to "COLD" which can lead to the more energy efficiency. Otherwise, it would result the energy-consuming.



Important!

Don't place too much food directly against the air outlet of the temperature sensor part in Wind channel cover of the refrigerator compartment, as it affects that the appliance can't operate correctly.



Temperature
sensor part

Using your appliance

Your appliance has the accessories as the “Description of the appliance” showed in general, with this part instruction you can have the right way to use them.. We recommend that you read through them carefully before using the appliance

Door rack

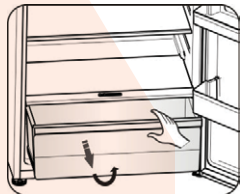
- It is suitable for the storage of eggs, canned liquid, bottled drinks and packed food, etc. Do not place too many heavy things in the racks.
- Small rack on lower door can be placed at different heights according to your requirements. Please take food out of the shelf before lifting vertically to reposition.

Shelf in Refrigerator chamber

1. There are shelves in refrigerator chamber, and they can be taken out to be cleaned.



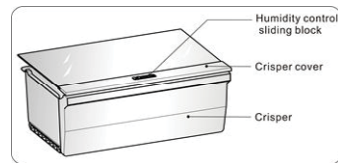
2. The crisper is suitable for storage of vegetables and fruit, etc.



Crisper and Humidity control

- The fruit and vegetable drawer is placed on the inner bladder for storing vegetables and fruits. You can adjust the humidity in the fruit and vegetable drawer with the humidity adjusting slider on the lid of the fruit and vegetable drawer.

- The sliding block on crisper cover can slide to left or right and the air hole become more or less relatively. More air hole opening means less humidity and less means more humidity.
- We recommend that you store vegetables with more humidity and fruits less humidity.



Freezer chamber

The freezer chamber is suitable for storage of foods required to be frozen, such as meat, ice.

Caution! Do not close refrigerator door when installing deep bracket, It may damage the unit.

Ensure that drink bottles are not left in the freezer for a longer time than needed as freezing liquid may cause the bottle to break.

Cleaning and care

For hygienic reasons the appliance (including exterior and interior accessories) should be cleaned regularly (at least every two months).

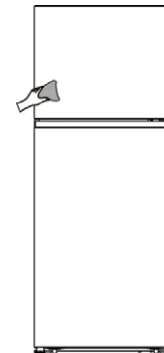
Warning!

The appliance must not be connected to the mains during cleaning as there is a danger of electrical shock! Before cleaning switch the appliance off and remove the plug from the mains socket.

Exterior cleaning

Wipe the control panel with a clean, soft cloth.

- Spray water onto the cleaning cloth instead of spraying directly on the surface of the appliance. This helps ensure an even distribution of moisture to the surface.
- Clean the doors, handles and cabinet surfaces with a mild detergent and then wiped dry with a soft cloth.

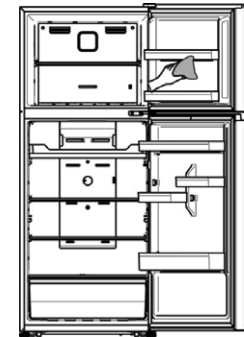


Caution!

- Don't use sharp objects as they are likely to scratch the surface.
- Don't use Thinner, Car detergent, Clorox, ethereal oil, abrasive cleansers or organic solvent such as Benzene for cleaning. They may damage the surface of the appliance and may cause fire.

Interior cleaning

You should clean the appliance interior regularly. It will be easier to clean when food stocks are low. Wipe the inside of the fridge freezer with a weak solution of bicarbonate of soda, and then rinse with warm water using a wrung-out sponge or cloth. Wipe completely dry before replacing the shelves and baskets. Thoroughly dry all surfaces and removable parts before putting them back into place.



Although this appliance automatically defrosts, a layer of frost may occur on the freezer compartment's interior walls if the freezer door is opened frequently or kept open too long. If the frost is too thick, choose a time when the freezer is nearly empty and proceed as follow:

1. Remove existing food and accessories baskets, unplug the appliance from the mains power and leave the doors open. Ventilate the room thoroughly to accelerate the process.
2. When defrosting is completed, clean your freezer as described above.

Caution!

Do not use sharp objects to remove frost from the freezer compartment. Only after the interior is completely dry should the appliance be switched back on and plugged back into the mains socket.

Door seals cleaning

Take care to keep door seals clean. Sticky food and drinks can cause seals to stick to the cabinet and tear when you open the door. Wash seal with a mild detergent and warm water. Rinse and dry it thoroughly after cleaning.

Caution! Only after the door seals are completely dry should the appliance be powered on

Replacing the LED light:

Warning:

The LED light should be replaced by a competent person. If the LED light is damaged, contact the customer helpline for assistance. To replace the LED light, the below steps can be followed:

1. Unplug your appliance.
2. Remove light cover by pushing up and out.
3. Hold the LED cover with one hand and pull it with the other hand while pressing the connector latch.
4. Replace LED light and snap it correctly in place.

Helpful hints and tips

Energy saving tips

We recommend that you follow the tips below to save energy.

- Try to avoid keeping the door open for long periods in order to conserve energy.
- Ensure the appliance is away from any sources of heat (Direct sunlight, electric oven or cooker etc)
- Don't set the temperature colder than necessary.
 - Don't store warm food or evaporating liquid in the appliance.
 - Place the appliance in a well ventilated, humidity free, room. Please refer to Installing your new appliance chapter.
 - If the diagram shows the correct combination for the drawers, crisper and shelves, do not adjust the combination as this is designed to be the most energy efficient configuration.

Hints for fresh food refrigeration

- Do not place hot food directly into the refrigerator or freezer, the internal temperature will increase resulting in the compressor having to work harder and will consume more energy.
- Do cover or wrap the food, particularly if it has a strong flavor.
- Place food properly so that air can circulate freely around it.

Hints for refrigeration

- Meat (All Types) Wrap in polythene food: wrap and place on the glass shelf above the vegetable drawer. Always follow food storage times and use by dates suggested by manufacturers.
- Cooked food, cold dishes, etc.: They should be covered and may be placed on any shelf.
- Fruit and vegetables: They should be stored in the special

drawer provided.

- Butter and cheese: Should be wrapped in airtight foil or plastic film wrap.
- Milk bottles: Should have a lid and be stored in the door racks.

Hints for freezing

- When first starting-up or after a period out of use, let the appliance run at least 2 hours on the higher settings before putting food in the compartment.
- Prepare food in small portions to enable it to be rapidly and completely frozen and to make it possible to subsequently thaw only the quantity required.
- Wrap up the food in aluminum foil or polyethylene food wraps which are airtight.
- Do not allow fresh, unfrozen food to touch the food which is already frozen to avoid temperature rise of the latter.
- Iced products, if consumed immediately after removal from the freezer compartment, will probably cause frost burns to the skin.
- It is recommended to label and date each frozen package in order to keep track of the storage time.

Hints for the storage of frozen food

- Ensure that frozen food has been stored correctly by the food retailer
- Once defrosted, food will deteriorate rapidly and should not be re-frozen. Do not exceed the storage period indicated by the food manufacturer.

Switching off your appliance

If the appliance needs to be switched off for an extended period, the following steps should be taken prevent mould on the appliance.

1. Remove all food.
2. Remove the power plug from the mains socket.
3. Clean and dry the interior thoroughly.
4. Ensure that all the doors are wedged open slightly to allow air to circulate.

Troubleshooting

If you experience a problem with your appliance or are concerned that the appliance is not functioning correctly, you can carry out some easy checks before calling for service, please see below.

Warning! Don't try to repair the appliance yourself. If the problem persists after you have made the checks mentioned below, contact a qualified electrician, authorized service engineer or the shop where you purchased the product.

Problem	Possible cause & Solution
Appliance is not working correctly	Check whether the power cord is plugged into the power outlet properly.
	Check the fuse or circuit of your power supply, replace if necessary.
	It is normal that the freezer is not operating during the defrost cycle, or for a short time after the appliance is switched on to protect the compressor.
Odours from the compartments	The interior may need to be cleaned
	Some food, containers or wrapping cause odours.
Noise from the appliance	The sounds below are quite normal: <ul style="list-style-type: none"> •Compressor running noises. •Air movement noise from the small fan motor in the freezer compartment or other compartments. •Gurgling sound similar to water boiling. •Popping noise during automatic defrosting. •Clicking noise before the compressor starts.
	Other unusual noises are due to the reasons below and may need you to check and take action: <ul style="list-style-type: none"> •The cabinet is not level. •The back of appliance touches the wall. •Bottles or containers fallen or rolling.
The motor runs continuously	It is normal to frequently hear the sound of the motor, it will need to run more when in following circumstances: <ul style="list-style-type: none"> •Temperature setting is set colder than necessary •Large quantity of warm food has recently been stored within the appliance. •The temperature outside the appliance is too high. •Doors are kept open too long or too often. •After your installing the appliance or it has been switched off for a long time.
A layer of frost occurs in the compartment	Check that the air outlets are not blocked by food and ensure food is placed within the appliance to allow sufficient ventilation.

	Ensure that door is fully closed. To remove the frost, please refer to the "Cleaning and care" chapter.
Temperature inside is too warm	You may have left the doors open too long or too frequently; or the doors are kept open by some obstacle; or the appliance is located with insufficient clearance at the sides, back and top
Temperature inside is too cold	Increase the temperature by following the "controls panel" chapter.
Doors can't be closed easily	Check whether the top of the refrigerator is tilted back by 10-15mm to allow the doors to self close, or if something inside is preventing the doors from closing.

Disposal of the appliance

It is prohibited to dispose of this appliance as household waste.


Packaging materials

Packaging materials with the recycle symbol are recyclable. Dispose of the packaging into a suitable waste collection container to recycle it.

Before disposal of the appliance

1. Pull out the mains plug from the mains socket.
2. Cut off the power cord and discard with the mains plug

Warning! Refrigerators contain refrigerant and gases in the insulation. Refrigerant and gases must be disposed of professionally as they may cause eye injuries or ignition. Ensure that tubing of the refrigerant circuit is not damage prior to proper disposal.

Correct Disposal of this product	
	This symbol on the product or in its packing indicates that this product may not be treated as household waste. Instead, it should be taken to the appropriate waste collection point for the recycling of electrical and electronic equipment. By ensuring this product is disposed of correctly, you will help prevent potential negative consequences for the environment and human health, which could otherwise be caused by the inappropriate waste handling of this product. For more detailed information about the recycling of this product, please contact your local council your household waste disposal service, or the shop where you purchased the product.

استكشاف الأعطال وإصلاحها

إذا واجهت مشكلة في الجهاز أو كنت تشعر بالقلق من أن الجهاز لا يعمل بشكل صحيح، يمكنك إجراء بعض الفحوصات السهلة قبل الاتصال بالصيانة، يرجى الاطلاع أدناه. يمكنك إجراء بعض الفحوصات السهلة وفقاً لهذا القسم قبل الاتصال بالصيانة.

تحذير! لا تحاول إصلاح الجهاز بنفسك. إذا استمرت المشكلة بعد إجراء الفحوصات المذكورة أدناه، اتصل بمركز الخدمة المعتمد أو المتجر الذي اشتريته منه المنتج.

المشكلة	السبب المحتمل والحل
الجهاز لا يعمل بشكل صحيح	تحقق من توصيل سلك الطاقة بمأخذ التيار الكهربائي بشكل صحيح.
	تحقق من الصمامات (الفيوز) أو دائرة إمدادات الطاقة الخاصة بك، واستبدلهم إذا لزم الأمر.
	من الطبيعي أن لا يعمل الفريزر أثناء دورة إذابة الجليد التلقائية، أو لفترة قصيرة بعد تشغيل الجهاز لحماية الضاغط.
توجد روائح من الحبرات	قد يحتاج الجهاز إلى تنظيف أجزائه الداخلية.
	بعض المواد الغذائية، أو الحاويات، أو مواد تغليف الأطعمة تسبب الروائح.
المحرك يعمل باستمرار	الأصوات أدناه طبيعية جداً: • ضوضاء تشغيل الضاغط. • ضجيج حركة الهواء من محرك المروحة الصغيرة في حجرة الفريزر أو الحبرات الأخرى. • صوت غرغرة مماثلة لغيليان الماء. • ضوضاء مشوشة أثناء التذويب التلقائي. • ضوضاء نقر قبل تشغيل الضاغط.
	أصوات أخرى غير عادية ترجع إلى الأسباب التالية وقد تحتاج إلى الفحص واتخاذ الإجراءات اللازمة: • الثلجة ليست مستوية. • الجزء الخلفي من الجهاز يمس الجدار. • سقوط الزجاجات أو الحاويات.
تكون طبقة من الصقيع	من الطبيعي أن تسمع صوت المحرك كثيراً، وسوف تحتاج إلى تشغيل أكثر عندما يكون الجهاز في الظروف التالية: • ضبط درجة الحرارة أكثر برودة مما هو ضروري. • تم تخزين كمية كبيرة من الطعام الدافئ مؤخراً داخل الجهاز. • درجة الحرارة خارج الجهاز مرتفعة جداً. • أن تظل الأبواب مفتوحة لفترة طويلة أو كثيراً. • بعد تركيب الجهاز أو إيقاف تشغيله لفترة طويلة.
	تحقق من أن منافذ الهواء لا يتم حجبها بواسطة الأطعمة وتأكد من وضع الطعام داخل الجهاز للسماح بالتهوية الكافية. تأكد من أن الباب مغلق تماماً لإزالة الجليد، يرجى الرجوع إلى قسم التنظيف والعناية.

قد تكون تركت أبواب الثلجة مفتوحة لفترة طويلة، أو بسبب الفتح المتكرر، أو وجود عائق ما حال دون إغلاق الباب، أو أن الثلجة موضوعة مع عدم ترك مساحة كافية على الجانبين ومن الخلف والأعلى.	الجهاز لا يعمل بشكل صحيح
قم بزيادة درجة الحرارة من خلال اتباع قسم "لوحة التحكم".	درجة الحرارة بالداخل باردة جداً
تحقق ما إذا كان الجزء العلوي من الثلجة يميل للخلف بمسافة 10-15 ملم للسماح بغلق الأبواب تلقائياً، أو إذا كان هناك شيء بالداخل يمنع الأبواب من الإغلاق.	لا يمكن إغلاق الأبواب بسهولة

التخلص من الثلجة

يُحضر التخلص من الثلجة مع النفايات المنزلية العادية.


مواد التغليف

يمكن إعادة تدوير مواد التغليف التي تحمل رموز إعادة التدوير. تخلص من مواد التغليف من خلال وضعها في الحاويات المخصصة لغرض إعادة التدوير.

قبل التخلص من الجهاز

1. اسحب قابس الجهاز من مأخذ الكهرباء الرئيسي.
2. اقطع سلك الطاقة وتخلص منه مع القابس الرئيسي.

تحذير! تحتوي الثلجات على سائل تبريد وغازات في المواد العازلة. يجب التخلص من سائل التبريد والغازات بطريقة احترافية لأنها قد تسبب إصابات العين أو الاشتعال. تأكد من عدم تلف أنابيب دائرة التبريد قبل التخلص منها بشكل سليم.

التخلص الصحيح من هذا المنتج	
تشير هذه العلامة إلى أنه لا يجب التخلص من هذا المنتج مع النفايات المنزلية العادية في دول الاتحاد الأوروبي. لتفادي المخاطر المحتملة على البيئة أو صحة البشر من أثر التخلص غير الصحيح من النفايات، يُرجى التخلص من النفايات بشكل مسؤول لتعزيز إعادة الاستخدام المستدام للموارد. لإرجاع جهازك المستعمل، يُرجى اتباع أنظمة الإرجاع والتجميع أو الاتصال بالبائع الذي اشتريته منه المنتج، إذ إن بإمكانهم إعادة تدوير هذا المنتج بطريقة آمنة بيئياً.	

تنظيف الشريط المطاطي للباب

احرص على إبقاء شريط الباب نظيفاً. يمكن أن تتسبب الأطعمة والمشروبات في التصاق الشريط بهيكل الثلاجة، بما يؤدي إلى تمزقه عند فتح الباب. اغسل الشريط المطاطي بمنظفات معتدلة وماء دافئ، واشطفه وجفّفه جيداً بعد التنظيف.

تنبيه! لا تقم بتشغيل الجهاز إلا بعد جفاف شريط الباب تماماً.

تبدال مصباح LED: تحذير:

- على الدعم، لازم، لتبدال مصباح LED، يمكن للفني المختص اتباع الخطوات أدناه:
1. افصل الجهاز عن مصدر التيار الكهربائي.
 2. قم بإزالة غطاء المصباح من خلال الدفع للأعلى وللخارج.
 3. امسك غطاء مصباح LED بيد واحدة واسحبه باليد الأخرى بينما تقوم بالضغط على مزلاج الربط.
 4. قم بتغيير مصباح LED وضع المصباح الجديد في موضعه الصحيح.

نصائح وإرشادات مفيدة نصائح خاصة بتوفير الطاقة

نوصيك باتباع النصائح أدناه لتوفير الطاقة.

- حاول تجنب إبقاء الباب مفتوحاً لفترات زمنية طويلة للحفاظ على الطاقة.
- تأكد من إعداد الجهاز عن أي مصادر للحرارة (أشعة الشمس المباشرة، أو الأفران الكهربائية، وما إلى ذلك).
- لا تضبط درجة الحرارة على إعداد أبعد من اللازم.
- لا تخزن الطعام الدافئ أو السوائل المتبخرة في الجهاز.
- ضع الجهاز في غرفة جيدة التهوية خالية من الرطوبة.
- ويُرجى الرجوع إلى فصل تركيب الجهاز الجديد الخاص بك.

إذا كان المخطط يوضح التركيب الصحيح للأدراج، وحجرة الخضراوات، والرفوف فلا تقم بتعديل التركيب؛ لأنه مُصمم لتحقيق التهيئة الأكثر كفاءة من حيث الطاقة.

نصائح خاصة بتبريد الطعام الطازج

- لا تضع الطعام الساخن في الثلاجة أو الفريزر مباشرة، حيث إن درجة الحرارة الداخلية ستزداد مما يؤدي إلى عمل الضاغط بشكل أقوى واستهلاكه لطاقة أكثر.
- لا تقم بتغطية أو تغليف الطعام، لاسيما إذا كان يتمتع بنكهة ذات رائحة نفاذة.
- ضع الطعام بشكل صحيح بحيث يمكن تدوير الهواء حوله بحرية.

نصائح خاصة بالتبريد

- اللحوم (جميع الأنواع): قم بتغليفها بأكياس البولييثين وضعها في الرف الزجاجي فوق درج الخضراوات.
- ولسلامتك، قم بحفظها بهذه الطريقة لمدة يوم أو يومين كحد أقصى.
- الطعام المطهو، الأطباق الباردة، إلخ: ينبغي تغطيتها، ويمكن وضعها في أي رف.
- الفواكه والخضراوات: ينبغي تنظيفها جيداً، ووضعها في الدرج المخصص.

- الزيد والجبن: ينبغي تغليفهما بورق الألمنيوم، أو أكياس البولييثين لمنع دخول الهواء قدر الإمكان.
- زجاجات الحليب: ينبغي أن تكون مغطاة وأن توضع على الحامل المخصص في الباب.

نصائح خاصة بالتجميد

- عند التشغيل لأول مرة أو بعد فترة من عدم الاستخدام، اترك الجهاز يعمل لمدة ساعتين على الأقل على إعدادات أعلى قبل وضع الطعام في المقصورة.
- أعد الطعام بنسب صغيرة للتمكين من تجميده بسرعة وعلى نحو تام، ولجعل إذابة الكمية المطلوبة فقط فيما بعد أمراً ممكناً.
- غلّف الطعام بفويل الألمنيوم أو أغلفة الطعام المصنوعة من البولي إيثيلين المحكمة.
- لا تسمح للطعام الطازج غير المجمد بملامسة الطعام المجمد بالفعل لتجنب ارتفاع درجة حرارة الأخير.
- المنتجات المثلجة، في حال استهلاكها على الفور يعد إخراجها من مقصورة الفريزر من المحتمل أن تتسبب في حروق صقيع للبشرة.
- يُوصى بوضع ملصق وتاريخ على كل مجموعة مجمدة لتتبع وقت التخزين.

نصائح خاصة بتخزين الطعام المجمد

- تأكد من قيام تاجر تجزئة الطعام بتخزين الطعام المجمد بشكل صحيح.
- بمجرد التذويب سيتلف الطعام بسرعة، وينبغي ألا تتم إعادة تجميده. لا تتجاوز فترة التخزين المُشار إليها من قبل جهة تصنيع الطعام.

إيقاف تشغيل الجهاز

- إذا لزم إيقاف تشغيل الجهاز لفترة زمنية طويلة، ينبغي اتخاذ الخطوات التالية لمنع تكوّن العفن في الجهاز.
1. أزل كل الطعام.
 2. أفضل قابس الطاقة من مقبس التيار الكهربائي الرئيسي.
 3. نظف الجهاز من الداخل وجفّفه تماماً.
 4. تأكد من تثبيت كل الأبواب وهي مفتوحة قليلاً للسماح بتدوير الهواء

استخدام الجهاز

يشتمل جهازك على الملحقات، كما هو موضح في "وصف الجهاز" بشكل عام، ومع هذه التعليمات، يمكنك معرفة الطريقة الصحيحة للاستخدام.

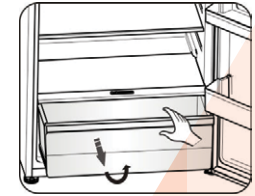
رف الباب

• مناسب لتخزين البيض والسوائل المعلبة والمشروبات المعبأة في زجاجات والأطعمة المعلبة، إلخ. لا تضع الكثير من الأشياء الثقيلة في الرف.
• يمكن تثبيت الرف الصغير الخاص بالجزء السفلي للباب بارتفاعات مختلفة بحسب احتياجاتك. يرجى إزالة الطعام عن الرف قبل القيام بتعديل الارتفاع.

1. هناك رفوف في حجرة الثلاجة، ويمكن إخراجها لتنظيفها.



2. الدرج ملائم لحفظ الفواكه والخضروات، إلخ.



التحكم بالرطوبة داخل درج الفواكه والخضروات

2. الدرج ملائم لحفظ الفواكه والخضروات، إلخ.

التنظيف والعناية

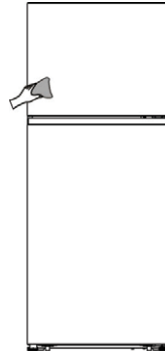
لحفاظ على النظافة العامة، ينبغي تنظيف الجهاز (بما في ذلك الملحقات الخارجية والداخلية) على الأقل مرة كل شهرين.

تحذير!

يجب عدم توصيل الجهاز بمصدر التيار الرئيسي أثناء التنظيف. قبل التنظيف، أوقف تشغيل الجهاز وأزل القابس من مقبس التيار الكهربائي الرئيسي.

تنظيف الأجزاء الخارجية

– امسح لوحة التحكم بقطعة قماش نظيفة وناعمة.
– رش الماء على قطعة قماش التنظيف بدلاً من رشها على سطح الجهاز مباشرة. يساعد ذلك على ضمان توزيع الرطوبة حتى على السطح.
– نظف الأبواب والمقابض والأسطح بمنظف معتدل ثم امسحها بقطعة قماش ناعمة.

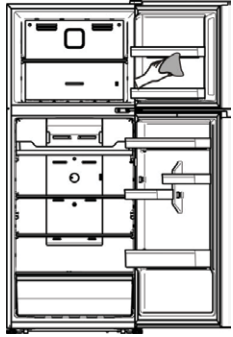


تنبيه!

– لا تستخدم الأشياء الحادة لأنها من المرجح أن تخدش السطح.
– لا تستخدم مرقق الدهان أو منظفات السيارات أو كلوروكس الزيت الأثيري أو منظفات الكاشطة أو المذيبات العضوية مثل البنزين للتنظيف. قد تتسبب هذه المنظفات في تلف سطح الجهاز وقد تتسبب في نشوب حريق.

تنظيف الأجزاء الداخلية

يجب تنظيف الأجزاء الداخلية بانتظام. يكون من الأسهل تنظيفها عندما تكون مخزونات الأغذية قليلة في الثلاجة. امسح الأجزاء الداخلية لفريرز الثلاجة بمحلول ضعيف من بيكربونات الصودا، ثم اشطفه بالماء الدافئ باستخدام الإسفنج أو القماش. امسح الرفوف والسلال لتجفيفها تماماً قبل استبدالها. جفف جيداً جميع الأسطح والأجزاء القابلة للفتح.



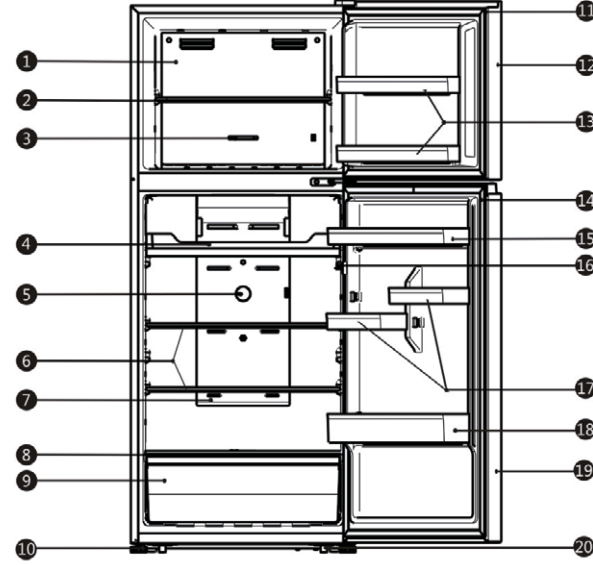
بالرغم من أن هذا الجهاز يذيب الثلج تلقائياً، فقد تتكون طبقة من الجليد على الجدران الداخلية لحجرة الفريزر في حالة فتح باب الفريزر بشكل متكرر أو إبقائه مفتوحاً لفترة طويلة. إذا كان الجليد سميكاً جداً، اختر الوقت الذي تكون فيه المخزونات الغذائية قليلة، واتبع ما يلي:
– قم بإزالة الطعام الموجود وملحقات السلال، ثم أفصل الجهاز عن مصدر التيار الكهربائي واترك الأبواب مفتوحة. قم بتهوية الغرفة جيداً لتسريع عملية الذوبان.
– عند انتهاء عملية إذابة الجليد، نظف الفريزر كما هو موضح أعلاه.

تنبيه!

لا تستخدم أجسام حادة لإزالة الثلج المتجمع في حجرة الفريزر. يجب عدم إعادة تشغيل الجهاز مرة أخرى وتوصيله بماخذ التيار الكهربائي إلا بعد جفاف الأجزاء الداخلية تماماً.

وصف الجهاز

1. قناة الهواء للفريرز
2. رف الفريرز
3. منظم درجة حرارة الفريرز
4. رف الثلاجة
5. (أو صينية متعددة الاستعمالات)
6. منظم درجة حرارة الثلاجة
7. قناة الهواء للثلاجة
8. غطاء درج الفواكه والخضروات
9. درج الفواكه والخضروات
10. قدم سفلية قابلة للتعديل
11. الحلقة المطاطية لباب الفريرز
12. باب الفريرز
13. رف باب الفريرز
14. الحلقة المطاطية لباب الثلاجة
15. رف الباب العلوي
16. مفتاح الباب
17. رف الباب الصغير
18. رف الباب السفلي
19. باب الثلاجة
20. جحلة



ملاحظة!

- في إطار التطوير والتعديل المستمر في منتجاتنا، قد تكون ثلاجتك مختلفة قليلاً عن ما ورد في دليل التعليمات هذا، إلا أن وظائفها وطرق استخدامها تظل كما هي.
- لتعزيز كفاءة استهلاك الطاقة لهذا المنتج، يرجى وضع جميع الرفوف والأدراج والسلال في المكان المخصص لهم، كما هو موضح في الرسم أعلاه.

وظائف التحكم

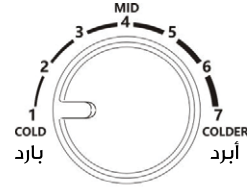
استخدم جهازك وفقاً للوائح التحكم التالية، إذ يحتوي على وظائف مقابلة حسب ما تظهره لوحات التحكم في الصور أدناه.

منظم درجة الحرارة في الثلاجة

- عدم وجود برودة كافية في الثلاجة.
- اضبط منظم درجة الحرارة على "أبرد" (COLDER).
- الاستخدام العادي للثلاجة.
- اضبط منظم درجة الحرارة على "متوسط" (MID).

هام!

عندما تكون درجة الحرارة المحيطة في الغرفة عالية (مثلاً، خلال أيام الصيف الحارة) وتضبط الثلاجة على وضع أبرد، يمكن أن يؤدي ذلك إلى عمل الضاغط بشكل مستمر أو حتى بدون توقف! لذا، لا ننصح بضبط درجة الحرارة على وضع "أبرد" (COOLER) أو "بارد" (COLD) أثناء الاستخدام العادي. السبب: عندما تكون درجة الحرارة المحيطة عالية، يجب أن يعمل الضاغط بشكل مستمر للحفاظ على درجة الحرارة المنخفضة في الثلاجة.



منظم درجة الحرارة في الثلاجة

منظم درجة الحرارة في الفريرز

- يسمح لك منظم درجة الحرارة بضبط درجة الحرارة داخل الفريرز.
- في حال وجود كمية كبيرة من الأطعمة المجمدة أو صنع الثلج.
- يرجى ضبط مقبض درجة الحرارة على وضع "أبرد" (COLDER).

- في حال الاستخدام العادي.
- يرجى ضبط منظم درجة الحرارة على الوضع المتوسط.
- في حال وجود كمية قليلة من الأطعمة المجمدة.
- يرجى ضبط منظم درجة الحرارة على وضع "بارد" (COLD).

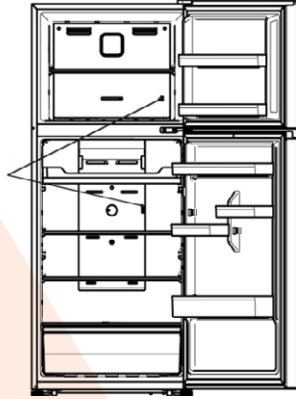
هام!

لا نوصي بضبط مقبض درجة الحرارة على وضع "أبرد" (COLDER) عند الاستخدام العادي. يمكنك خفض استهلاك الطاقة من خلال تدوير المقبض لدرجة أقل، وخلاف ذلك قد ينتج عنه زيادة استهلاك الطاقة



هام!

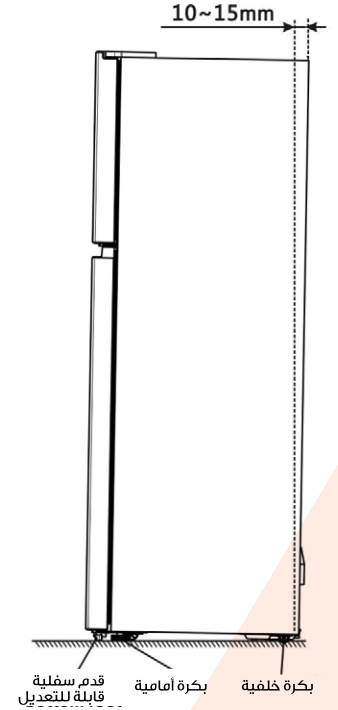
لا تضع كمية كبيرة من الطعام بشكل مباشر قرب مخرج الهواء لمستشعر درجة الحرارة في غطاء قناة الهواء لدرجة الحرارة، لأن ذلك يؤثر سلباً على عمل الجهاز



مستشعر
درجة الحرارة

تنسوية الجهاز

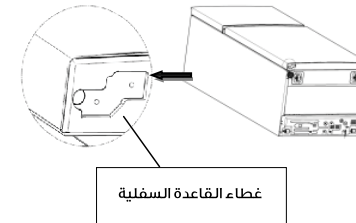
- لتنسوية الجهاز بشكل كافٍ وتدوير الهواء في الجانب الخلفي أسفل الجهاز، قد تحتاج الأقدام السفلية إلى تعديل، ويمكنك تعديلها يدوياً أو باستخدام مفتاح ربط مناسب.
- لتسمح للأبواب بالإغلاق ذاتياً، قم بإمالة أعلى الجانب الخلفي بنحو 10-15 ملم.



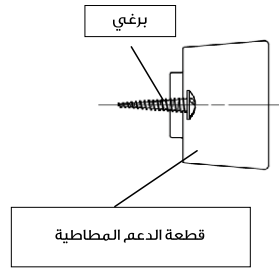
ملاحظة:

- إذا استدعت الحاجة، يمكنك وضع الثلجة على ظهرها من أجل الوصول إلى القاعدة، مع التأكد من وضع مسند فلين أو مادة رغوية ناعمة أو مواد مماثلة لتجنب إتلاف أنابيب التبريد في الجزء الخلفي من الثلجة.
- ليس هناك ضرورة لتركيب هذه الملحقات في ظروف الاستخدام العادية.
- فقط في بعض الظروف الاستثنائية، قد تتعرض الثلجة لخطر الانحناء عند فتح الباب بزوايا 90 درجة، وهنا يجب إحكام تركيب قطعة الدعم المطاطية في غطاء القاعدة السفلية لتثبيت الجهاز.

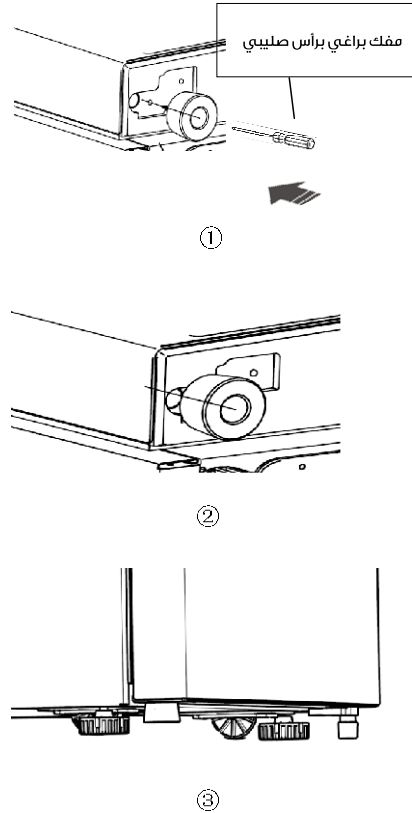
1. أعتز على فتحة البرغي في الجهاز على الجانب الأيسر من غطاء القاعدة السفلية.



2. ضع البرغي في الفتحة الموجودة على قطعة الدعم المطاطية.



3. تأكد من تثبيت البرغي بشكل صحيح في فتحة غطاء القاعدة السفلية. ثبت قطعة الدعم المطاطية بغطاء القاعدة بإحكام باستخدام مفك براغي برأس صليبي (متضمن مع الجهاز).

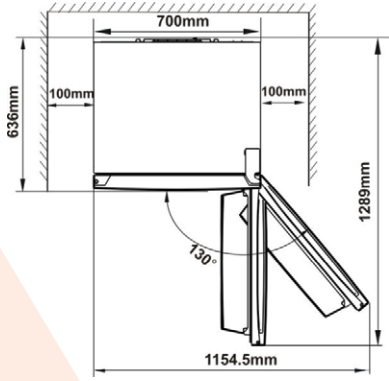
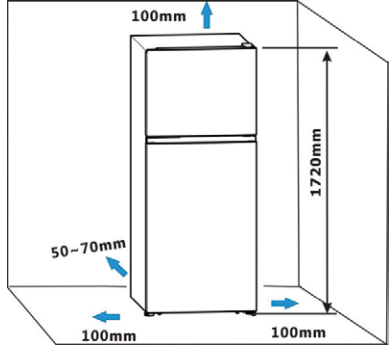


تركيب ثلاجتك الجديدة

قبل استخدام الجهاز للمرة الأولى، يجب أخذ النصائح التالية بعين الاعتبار.

تحذير!

لضمان التركيب الصحيح، يجب وضع الثلاجة على سطح مستوي وثابت، وأن تكون الأرضية صلبة وبارتفاع واحد. كما يجب أن يكون سطح الأرضية قوي بما فيه الكفاية لتحمل وزن الثلاجة بالكامل. وتستخدم البكرات، وهي ليست عجلات، فقط لغرض تحريك الثلاجة للأمام أو الخلف. قد يؤدي تحريك الثلاجة بشكل جانبي إلى إحداث ضرر في الأرضية والبكرات.

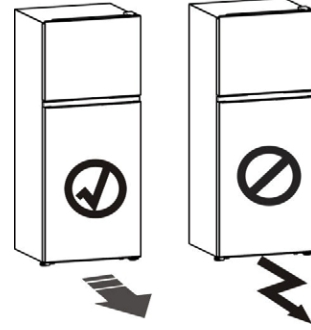


ملاحظة:

يعمل هذا الجهاز بفعالية ضمن نطاق الفئة المناخية من N إلى T، كما هو موضح في الجدول أدناه. وقد لا يكون مستوى الأداء جيداً إذا ترك ليُعمل في بيئة بدرجة حرارة أعلى أو أقل من النطاق المحدد لفترة طويلة.

درجة الحرارة المحيطة	الفئة المناخية
+32°C to +16°C	N
+38°C to +16°C	ST
+43°C to +16°C	T

• ضع جهازك في مكان جاف لتجنب الرطوبة العالية.
• حافظ على جهازك بعيداً عن أشعة الشمس المباشرة والمطر والصقيع، وبعيداً عن مصادر الحرارة مثل الطباختات والنيرون والسخانات.



تهوية الجهاز

من أجل تحسين كفاءة نظام التبريد وتوفير الطاقة، من الضروري تأمين تهوية جيدة حول الجهاز لتبريد الحرارة.

ولهذا السبب، يجب توفير مساحة كافية حول الثلاجة. اقتراح: من المستحسن أن يكون هناك مسافة 50-70 ملم خلف الجهاز باتجاه الحائط، وعلى الأقل 100 ملم من أعلى، وعلى الأقل 100 ملم على الجانب باتجاه الحائط، ومساحة كافية من الأمام لإتاحة فتح الباب بزواوية 130 درجة، كما هو موضح في الرسومات التالية.



• قم بإيقاف تشغيل الثلاجة، وافصل قابس الإمداد بالتيار الكهربائي الرئيس من المقبس قبل إجراء الصيانة.
• لا تنظف الثلاجة باستخدام مواد معدنية، أو جهاز التنظيف بالبخار، أو الزيوت الأثرية، أو المذيبات العضوية، أو المنظفات القوية الكاشطة.
• لا تستخدم مواد حادة لإزالة الجليد من الثلاجة. استخدم مكشطة بلاستيكية.

ملاحظات مهمة عند التركيب!

• اتبع التعليمات المقدمة في هذا الدليل لإتمام التوصيل الكهربائي بعناية.
• قم بإفراغ الثلاجة وتحقق من عدم وجود أي تلف بها. لا توصل الثلاجة بمصدر التيار الكهربائي إذا كانت تالفة. أبلغ الجهة التي اشترت منها الثلاجة عن الأعطال المحتملة فور حدوثها. في هذه الحالة احتفظ بمواد التغليف.
• يُنصح بالانتظار أربع ساعات على الأقل قبل توصيل الثلاجة بمصدر التيار الكهربائي للسماح للزيت بالتدفق العكسي في الضاغط.
• يجب أن نحاط الثلاجة بدورة هواء جيدة، وإذا لم يتوافر ذلك تتعرض الثلاجة لارتفاع درجة الحرارة. اتبع التعليمات المتعلقة بالتركيب لتوفير التهوية الكافية.
• ينبغي ألا يكون ظهر الثلاجة قريباً جداً من الحائط قدر الإمكان لتجنب ملامسة الأجزاء الدافئة أو الإمساك بها (الضاغط، المكثف) لمنع خطر حدوث حريق، اتبع التعليمات المتعلقة بالتركيب.
• يُحظر وضع الثلاجة بجوار أجهزة التدفئة أو الطباختات.
• تأكد أن قابس الإمداد بالتيار الكهربائي الرئيس يسهل الوصول إليه بعد تركيب الثلاجة.

الصيانة

• يجب أن يتولى فني مختص القيام بأعمال الكهرباء اللازمة لإتمام أعمال صيانة الثلاجة.
• يجب أن يتولى أعمال الصيانة مركز صيانة معتمد، ويجب استخدام قطع الغيار الأصلية فقط.
1) إذا كانت الثلاجة بنظام البخام.
2) إذا احتوت الثلاجة على فريزر.

من الخطورة تغيير المواصفات أو محاولة تعديل هذا المنتج بأي حال من الأحوال.
يمكن أن يؤدي أي تلف في السلك إلى حدوث قصر في الدائرة الكهربائية أو اندلاع حريق أو التعرض لصدمة كهربائية.

السلامة الكهربائية ⚠️

1. يجب عدم تطويل السلك الكهربائي.
2. تأكد أن كابل الطاقة ليس متهاكاً أو تالفاً. قد يسبب كابل الطاقة المتهاك أو التالف ارتفاعاً في درجة الحرارة، مما يؤدي إلى حدوث حريق.
3. تأكد أن بإمكانك الوصول إلى القابس الرئيسي للثلاجة.
4. لا تشد الكابل الرئيسي.
5. إذا كان المقبس مرتخياً فلا تدخل قابس الطاقة؛ حيث يزداد خطر التعرض للصدمة الكهربائية أو الحريق.
6. يُحظر تشغيل الثلاجة دون غطاء المصباح الداخلي.
7. تعمل الثلاجة فقط من خلال الإمداد بتيار كهربائي متناوب أحادي الطور بجهد 220-240 فولت / 50 هرتز. تأكد من تركيب منظم جهد متعدد تلقائي بقدرة تزيد على 350 واط للثلاجة إذا كانت تقلبات الجهد في منطقة المستخدم كبيرة جداً بحيث يتعدى الجهد النطاق المذكور. يجب أن يكون للثلاجة مقبس مخصص بدلاً من استخدام مقبس مشترك مع أجهزة كهربائية أخرى. يجب أن يوافق القابس الخاص بها المقبس مع وجود سلك أرضي.

الاستخدام اليومي

- لا تُخزن غازات أو سوائل سريعة الاشتعال في الثلاجة، حيث يمكن أن يؤدي ذلك إلى حدوث انفجار.
- لا تُشغل أي جهاز كهربائي داخل الثلاجة (مثل صانع الآيس كريم الكهربائي، والخلاطات وغيرها).
- عند فصل التيار الكهربائي، انزع القابس من المقبس الرئيسي، ولا تسحب الكابل.
- لا تضع أجساماً ساخنة بجانب المكونات البلاستيكية للثلاجة.

- لا تضع أي منتجات للطعام قرب مخرج الهواء في الجزء الخلفي.
- خزن الطعام المجمد المغلف مسبقاً وفقاً لتعليمات جهة تصنيع الطعام المجمد.
- يجب الالتزام التام بتعليمات التخزين الصادرة عن جهة التصنيع. يُرجى الاطلاع على التعليمات المتعلقة بالتخزين.
- لا تضع المشروبات الغازية في الفريزر، حيث تُحدث ضغطاً على الوعاء قد يتسبب في انفجاره مما يؤدي إلى تلف الثلاجة.
- يمكن أن يتسبب الطعام المجمد في حدوث قزمة الصقيع إذا تم تناوله مباشرة من الثلاجة.
- لا تعرض الثلاجة لأشعة الشمس المباشرة.
- أبعاد الشموع المشتعلة والمصابيح وغيرها من العناصر ذات السنة اللهب المكشوفة عن الثلاجة، فقد يؤدي ذلك إلى اشتعال النيران بها.
- تم تصميم الثلاجة لحفظ المواد الغذائية و/أو المشروبات للأغراض المنزلية العادية كما هو مبين في كتيب التعليمات. يُرجى توخي الحذر عند تحريك الثلاجة لأنها ثقيلة.
- لا تقم بأخذ أو لمس المواد الموجودة داخل الفريزر إذا كانت يدك رطبتين أو مبتلتين، حيث يمكن أن يؤدي ذلك إلى حدوث جروح بالجلد أو الإصابة بقزمة الصقيع.
- لا تستخدم قاعدة الثلاجة، والأدراج، والأبواب، وخلافه مطلقاً للاستناد عليها أو كدعائم.
- يُحظر إعادة تجميد الطعام المجمد بمجرد ذوبان الثلج.
- لا تتناول المثلجات أو مكعبات الثلج مباشرة عقب إخراجها من الفريزر، حيث يمكن أن يؤدي ذلك إلى حدوث حروق بالفم والشفاه.
- لا تضع حملاً زائداً على رفوف الباب، ولا تضع كمّاً كبيراً من الطعام في درج الخضراوات والفواكه لتجنب سقوطها وحدوث إصابات أو تلف الثلاجة.

تنبيه! التنظيف والعناية

- تحذير - يحتوي الجهاز على وسيط التبريد وغاز العزل، وهذه المواد سريعة الاشتعال. عند التخلص من الجهاز، احرص على استخدام مركز معتمد للتخلص من النفايات. ولا تعرض الجهاز لأي لهب.
- تحذير - عند تركيب الجهاز، تأكد من أن لا يكون سلك الإمداد بالطاقة تالفاً أو عالقاً في مكان ما.
- تحذير - يجب أن يكون للجهاز مقبس مخصص بدلاً من استخدام مقبس مشترك مع أجهزة كهربائية أخرى.

تبديل المصابيح

- تحذير - لا يجب استبدال المصابيح من قبل المستخدم! في حال تلف المصابيح، اتصل بمركز خدمة العملاء للحصول على الدعم اللازم.

وسيط التبريد

يوجد وسيط التبريد إيزوبوتان (R600a) -أحد الغازات الطبيعية الصديقة للبيئة ولكنه أيضاً سريع الاشتعال- داخل دائرة وسيط تبريد الثلجة. يُرجى التأكد من عدم تلف أي من أجزاء دائرة وسيط التبريد عند نقل الثلجة وتركيبها. يُعد وسيط التبريد (R600a) مادة سريعة الاشتعال.

- تحذير - الثلجات تحتوي على وسيط التبريد وغازات. عند الرغبة بالتخلص من وسيط التبريد والغازات، يجب القيام بذلك بشكل صحيح من خلال مراكز معتمدة للتخلص من النفايات، لأنها قد تسبب إصابات في العين أو اشتعال. وتأكد قبل ذلك من أن أبواب دائرة وسيط التبريد غير تالفة.

تنبيه: خطر الحريق



- تأكد من عدم تلف دائرة وسيط التبريد:
- تجنب إشعال لهب وأي مصادر اشتعال أخرى.
- قم بتهوية الغرفة التي توجد بها الثلجة جيداً.

- احتفظ بجميع مواد التغليف بعيداً عن الأطفال لسلامتهم من مخاطر الاختناق.
- إذا رغبت بالتخلص من الجهاز، اسحب القابض من مقبض الكهرباء واقطع كابل الاتصال (قريباً من الجهاز قدر المستطاع) وقم بإزالة الباب لمنع الأطفال من التعرض لصدمة كهربائية أو حبس أنفسهم في الداخل.
- يتميز هذا الجهاز بوجود أقفال مغناطيسية للباب. في حال رغبت باستبدال جهازك القديم الذي يحتوي على قفل مزلاج للباب، تأكد من إبطال وظيفة القفل المزلاج قبل التخلص من الجهاز القديم. يساهم ذلك في منع تعرض الأطفال للخطر، إذ قد يشكل القفل المزلاج مصيدة مميتة لهم.

معلومات السلامة العامة



- تحذير - هذا الجهاز مخصص للاستخدام المنزلي والأماكن المشابهة، مثل:
 - أماكن إعداد الطعام في المحلات والمكاتب وأماكن العمل الأخرى؛
 - المنازل الريفية، و من قِبَل العملاء في الفنادق والنزل والأماكن السكنية الأخرى؛
 - الأماكن التي تقدم خدمات المبيت والإفطار؛
 - الأماكن التي تقدم خدمات التموين وتزويد الطعام، وغيرها من الأماكن الغير مخصصة للبيع بالتجزئة.
- تحذير - يجب عدم تخزين مواد متفجرة مثل البخاخات القابلة للاشتعال في هذا الجهاز.
- تحذير - في حال تلف سلك الإمداد بالطاقة، يجب استبداله عن طريق الجهة المصنعة أو مراكز الخدمة المعتمدة أو أشخاص مؤهلين على نفس المستوى الكفاءة وذلك لتجنب حدوث أي مخاطر.
- تحذير - يجب عدم تغطية فتحات التهوية في الجهاز أو الهيكل المدمج بأي عوائق.
- تحذير - يجب عدم استخدام أجهزة ميكانيكية أو أي وسائل أخرى لتسريع عملية تذويب الثلج، غير تلك الموصى عليها من قبل الجهة المصنعة.
- تحذير - يجب عدم إحداث أي ضرر بدائرة التبريد.
- تحذير - يجب عدم استخدام أي أجهزة كهربائية داخل الأقسام المخصصة لتخزين الأطعمة، إلا إذا كانت من النوع الموصى عليه من قبل الجهة المصنعة.

المحتويات

13	التنظيف والعناية.....	1	معلومات السلامة والتحذيرات.....
15	نصائح وإرشادات مفيدة.....	7	تركيب جهازك الجديد.....
16	استكشاف الأعطال.....	10	وصف الجهاز.....
17	التخلص من الجهاز.....	11	وظائف التحكم.....
		12	استخدام الجهاز.....

معلومات السلامة والتحذيرات ⚠

لسلامتك وضمان الاستخدام الصحيح للجهاز، يرجى قراءة دليل المستخدم هذا بعناية قبل تركيبه واستخدامه للمرة الأولى، بما في ذلك النصائح والتحذيرات الموضحة. لتجنب الأخطاء والحوادث غير الضرورية، من المهم أن يكون كل من يستخدم هذا الجهاز على دراية كاملة بخصائص التشغيل والسلامة. احتفظ بهذه التعليمات وتأكد من إرفاقها مع الجهاز في حال إعطائه لشخص آخر أو بيعه، ليتيم ذلك إمكانية استخدامه من قبل أي شخص آخر والتأكد من حصوله على معلومات الاستخدام والسلامة.

ولسلامة الأرواح والممتلكات، احرص على اتباع الإجراءات الوقائية الواردة في التعليمات، إذ أن الشركة المصنعة غير مسؤولة عن أي أضرار قد تحدث نتيجة سوء الاستخدام أو الإهمال.

سلامة الأطفال وغيرهم من الأشخاص من ذوي القدرات المحدودة

• وفقاً لمعايير EN

يمكن للأطفال الذين تبلغ أعمارهم 8 سنوات فأكثر، والأشخاص ذوي القدرات البدنية أو الحسية أو الذهنية المحدودة، أو الأشخاص الذين تنقصهم الخبرة والمعرفة استخدام هذا الجهاز، على أن يكون ذلك تحت إشراف أحد البالغين، أو تزويدهم بالتعليمات المتعلقة حول استخدام الجهاز بطريقة آمنة تمكّنهم من فهم المخاطر المحتملة جزاء الاستخدام الخاطئ؛ يجب على الأطفال عدم العبث بالجهاز. لا يُسمح للأطفال بتنظيف الجهاز أو صيانته دون إشراف.

وفقاً لمعايير IEC

هذا الجهاز غير مخصص للاستخدام من قبل الأشخاص (بمن فيهم الأطفال) من ذوي القدرات البدنية أو الحسية أو الذهنية المحدودة، أو الأشخاص الذين تنقصهم الخبرة والمعرفة، ما لم يتم ذلك تحت إشراف أحد البالغين المسؤولين عن سلامتهم، أو تزويدهم بالتعليمات المتعلقة حول استخدام الجهاز بطريقة آمنة.



الطراز: RFHA-TM600NDS