



# ثلاجة (بابين) دليل المستخدم

# Refrigerator (Side by Side) User's Manual

الموديل:

RFHA-SB596NGB5 ▲

Model:

▲ RFHA-SB596NGB5

الرجاء قراءة هذا الدليل بعناية قبل تشغيل الجهاز،  
و احتفظ به للرجوع إليه مستقبلاً.

هذه التصاميم و المواصفات عرضة للتغيير بهدف إدخال تحسينات عليها  
و ذلك دون إشعار مسبق.

Please read this manual carefully before operating your set.  
Retain it for future reference.

Designs and specifications are subject to change for improvement  
without prior notice.

ISO9001 CB

ISO9001 CB





Model: RFHA-SB596NGB5

## Content

1. Safety Information	Page 1~5
2. Overview	Page 6
3. Installation	Page 7~10
4. Daily Use	Page 11~14

### **⚠ Safety information**








In the interest of your safety and to ensure the correct use, before installing and first using the appliance, read this user manual carefully, including its hints and warnings. To avoid unnecessary mistakes and accidents, it is important to ensure that all people using the appliance are thoroughly familiar with its operation and safety features. Save these instructions and make sure that they remain with the appliance if it is moved or sold, so that everyone using it through its life will be properly informed on appliance use and safety. For the safety of life and property keep the precautions of these user's instructions as the manufacturer is not responsible for damages caused by omission.

### **Children and vulnerable people safety**

- This appliance can be used by children aged from 8 years and above and persons with reduced physical, sensory or mental capabilities or lack of experience and knowledge if they have been given supervision or instruction concerning use of the appliance in a safe way and understand the hazards involved.
- Children should be supervised to ensure that they do not play with the appliance.
- Cleaning and user maintenance shall not be made by children unless they are aged from 8 years and above and supervised.
- Keep all packaging well away from children. There is risk of suffocation.
- If you are discarding the appliance pull the plug out of the socket, cut the connection cable (as close to the appliance as you can) and remove the door to prevent playing children to suffer electric shock or to close themselves into it.
- If this appliance featuring magnetic door seals is to replace an older appliance having a spring lock (latch) on the door or lid, be sure to make that spring lock unusable before you discard the old appliance. This will prevent it from becoming a death trap for a child.

## Safety information

### General safety

-  **WARNING!** Keep ventilation openings, in the appliance enclosure or in the built-in structure, clear of obstruction.
-  **WARNING!** Do not use mechanical devices or other means to accelerate the defrosting process, other than those recommended by the manufacturer.
-  **WARNING!** Do not damage the refrigerant circuit.
-  **WARNING!** Do not use other electrical appliances (such as ice cream makers) inside of refrigerating appliances, unless they are approved for this purpose by the manufacture.
-  **WARNING!** Do not touch the light bulb if it has been on for a long period of time because it could be very hot.<sup>1)</sup>
- Do not store explosive substances such as aerosol cans with a flammable propellant in this appliance.
- The refrigerant isobutane (R600a) is contained within the refrigerant circuit of the appliance, a natural gas with a high level of environmental compatibility, which is nevertheless flammable.
- During transportation and installation of the appliance, be certain that none of the components of the refrigerant circuit become damaged.
  - avoid open flames and sources of ignition
  - thoroughly ventilate the room in which the appliance is situated
- It is dangerous to alter the specifications or modify this product in any way. Any damage to the cord may cause a short circuit, fire and/or electric shock.
- This appliance is intended to be used in household and similar applications such as
  - staff kitchen areas in shops, offices and other working environments;
  - farm houses and by clients in hotels, motels and other residential type environments;
  - bed and breakfast type environments;
  - catering and similar non-retail applications.
-  **WARNING!** Any electrical components (plug, power cord, compressor and etc.) must be replaced by a certified service agent or qualified service personnel.
-  **WARNING!** The light bulb supplied with this appliance is a “special use lamp bulb” usable only with the appliance supplied. This “special use lamp” is not usable for domestic lighting.<sup>1)</sup>

## Safety information

- Power cord must not be lengthened.
- Make sure that the power plug is not squashed or damaged by the back of the appliance. A squashed or damaged power plug may overheat and cause a fire.
- Make sure that you can come to the mains plug of the appliance.
- Do not pull the mains cable.
- If the power plug socket is loose, do not insert the power plug. There is a risk of electric shock or fire.
- You must not operate the appliance without the lamp.
- This appliance is heavy. Care should be taken when moving it.
- Do not remove nor touch items from the freezer compartment if your hands are damp/wet, as this could cause skin abrasions or frost/freezer burns.
- Avoid prolonged exposure of the appliance to direct sunlight.

### Daily use

- Do not put hot on the plastic parts in the appliance.
- Do not place food products directly against the rear wall.
- Frozen food must not be re-frozen once it has been thawed out.<sup>1)</sup>
- Store pre-packed frozen food in accordance with the frozen food manufacturer's instructions.<sup>1)</sup>
- Appliance's manufacturer's storage recommendations should be strictly adhered to. Refer to relevant instructions.
- Do not place carbonated or fizzy drinks in the freezer compartment as it creates pressure on the container, which may cause it to explode, resulting in damage to the appliance.<sup>1)</sup>
- Ice lollies can cause frost burns if consumed straight from the appliance.<sup>1)</sup>

### Care and cleaning

- Before maintenance, switch off the appliance and disconnect the mains plug from the mains socket.
- Do not clean the appliance with metal objects.
- Do not use sharp objects to remove frost from the appliance. Use a plastic scraper.<sup>1)</sup>
- Regularly examine the drain in the refrigerator for defrosted water. If necessary, clean the drain. If the drain is blocked, water will collect in the bottom of the appliance.<sup>2)</sup>

<sup>1)</sup> If there is a freezer compartment.  
<sup>2)</sup> If there is a fresh-food storage compartment.

## Installation

**Important!** For electrical connection carefully follow the instructions given in specific paragraphs.

- Unpack the appliance and check if there are damages on it. Do not connect the appliance if it is damaged. Report possible damages immediately to the place you bought it. In that case retain packing.
- It is advisable to wait at least four hours before connecting the appliance to allow the oil to flow back in the compressor.
- Adequate air circulation should be around the appliance, lacking this leads to overheating. To achieve sufficient ventilation follow the instructions relevant to installation.
- Wherever possible the spacers of the product should be against a wall to avoid touching or catching warm parts (compressor, condenser) to prevent possible burn.
- The appliance must not be located close to radiators or cookers.
- Make sure that the mains plug is accessible after the installation of the appliance.


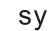
## Service

- Any electrical work required to do the servicing of the appliance should be carried out by a qualified electrician or competent person.
- This product must be serviced by an authorized Service Center, and only genuine spare parts must be used.

## Energy saving

- Don't put hot food in the appliance;
- Don't pack food close together as this prevents air circulating;
- Make sure food don't touch the back of the compartment(s);
- If electricity goes off, don't open the door(s);
- Don't open the door(s) frequently;
- Don't keep the door(s) open for too long time;
- Don't set the thermostat on exceeding cold temperatures;
- Some accessories, such as drawers, can be removed to get larger storage volume and lower energy consumption.

## Environment Protection

 This appliance does not contain gasses which could damage the ozone layer, in either its refrigerant circuit or insulation materials. The appliance shall not be discarded together with the urban refuse and rubbish. The insulation foam contains flammable gases: the appliance shall be disposed according to the appliance regulations to obtain from your local authorities. Avoid damaging the cooling unit, especially the heat exchanger. The materials used on this appliance marked by the symbol  are recyclable.



The symbol on the product or on its packaging indicates that this product may not be treated as household waste. Instead it should be taken to the appropriate collection point for the recycling of electrical and electronic equipment. By ensuring this product is disposed of correctly, you will help prevent potential negative consequences for the environment and human health, which could otherwise be caused by inappropriate waste handling of this product. For more detailed information about recycling of this product, please contact your local council, your household waste disposal service or the shop where you purchased the product.

## Packaging materials

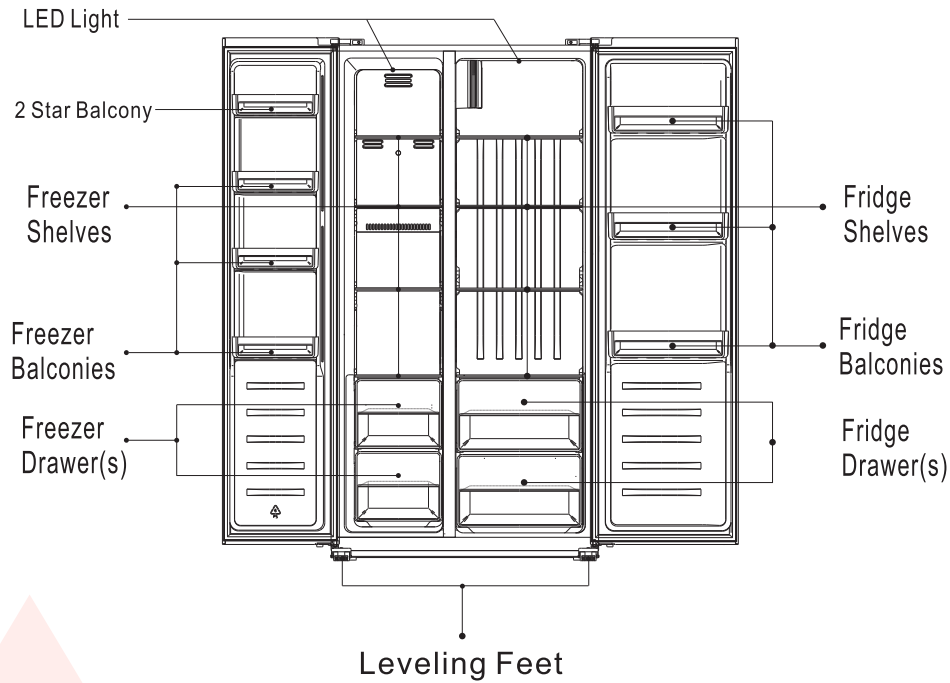
The materials with the symbol are recyclable. Dispose the packaging in a suitable collection containers to recycle it.

## Disposal of the appliance

1. Disconnect the mains plug from the mains socket.
2. Cut off the mains cable and discard it.

This appliance is intended to be used in household and similar applications.

## Overview



Note: Above picture is for reference only. Real appliance probably is different.

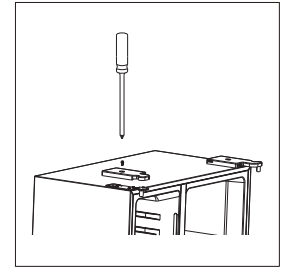
## Installation

### Remove the doors

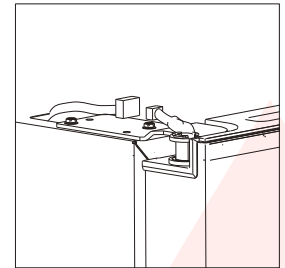
**Tool required:** Philips screwdriver, Flat bladed screwdriver.

- Ensure the unit is unplugged and empty.
- To take the door off, it is necessary to tilt the unit backwards. You should rest the unit on something solid so that it will not slip during the door removing process.
- All parts removed must be saved to do the reinstallation of the door.
- Do not lay the unit flat as this may damage the coolant system.
- It's better that 2 people handle the unit during assembly.

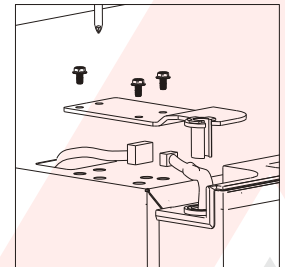
1. Unscrew hinge cover by Philips screwdriver.



2. Disconnect the harness.

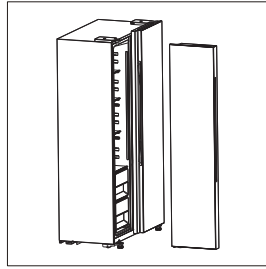


3. Unscrew top hinge.

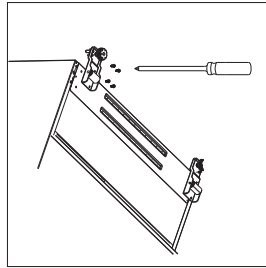


## Installation

4. Lift the door and place it on a soft pad. Then remove another door as same process.



5. Unscrew bottom hinges.

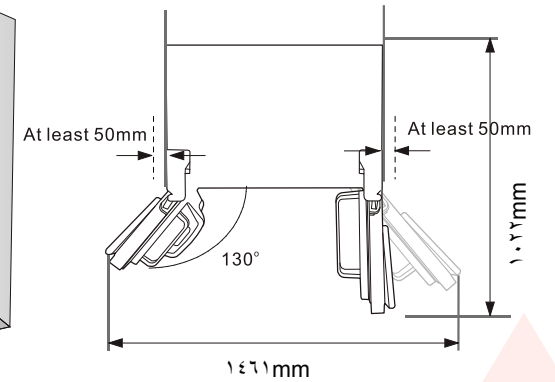
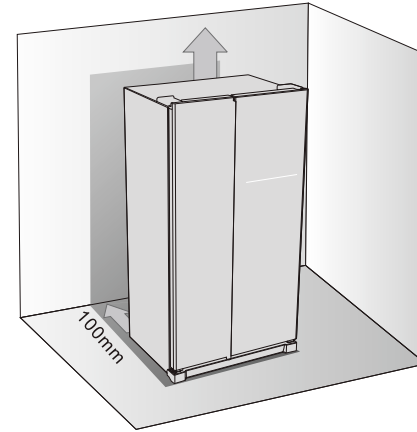


6. After the appliance is positioned, install the doors as reversed process.

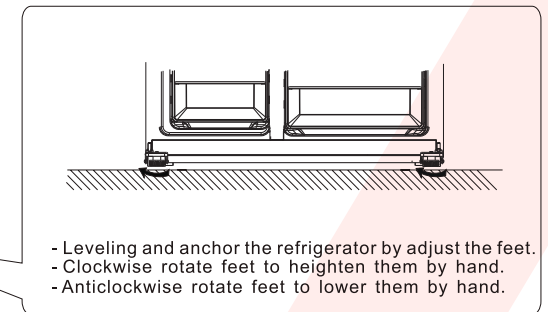
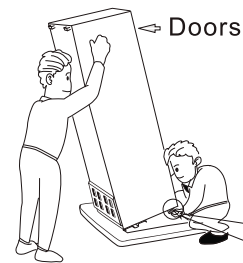
## Installation

### Space Requirement

- Select a location without direct exposure to sunlight;
- Select a location with enough space for the refrigerator doors to open easily;
- Select a location with level (or nearly level) flooring;
- Allow sufficient space to install the refrigerator on a flat surface;
- Allow clearance to the right, left, back and top when installing. This will help reduce power consumption and keep your energy bills lower.



### Levelling and anchor the refrigerator



## Installation

### Positioning

Install this appliance at a location where the ambient temperature corresponds to the climate class indicated on the rating plate of the appliance:

Climate class	Ambient temperature
SN	+10°C to +32°C
N	+16°C to +32°C
ST	+16°C to +38°C
T	+16°C to +43°C

### Location

The appliance should be installed well away from sources of heat such as radiators, boilers, direct sunlight etc. Ensure that air can circulate freely around the back of the cabinet. To ensure best performance, if the appliance is positioned below an overhanging wall unit, the minimum distance between the top of the cabinet and the wall unit must be at least 100 mm. Ideally, however, the appliance should not be positioned below overhanging wall units. Accurate leveling is ensured by one or more adjustable feet at the base of the cabinet.

**Warning!** It must be possible to disconnect the appliance from the mains power supply; the plug must therefore be easily accessible after installation.

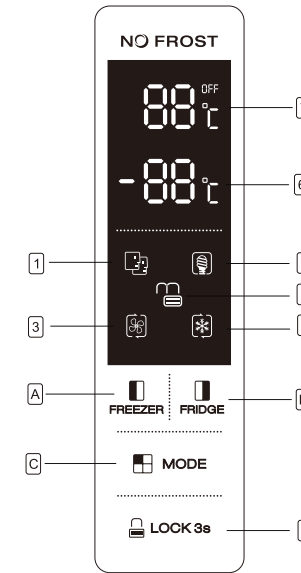
### Electrical connection

Before plugging in, ensure that the voltage and frequency shown on the rating plate correspond to your domestic power supply. The appliance must be earthed. The power supply cable plug is provided with a contact for this purpose. If the domestic power supply socket is not earthed, connect the appliance to a separate earth in compliance with current regulations, consulting a qualified electrician.

The manufacturer declines all responsibility if the above safety precautions are not observed. This appliance complies with the E.E.C. Directives.

## Daily Use

### Using the Control Panel



#### Buttons

- A Press to adjust temperature of freezer compartment (left side) from -14°C to -22°C.
- B Press to adjust temperature of fridge compartment (right side) from 2°C to 8°C and "OFF". If select "OFF", fridge compartment will be turned off.
- C Press to select running mode from **SMART**, **ECO**, **SUPER COOLING**, **SUPER FREEZING** and **USER'S SETTING** (no symbol in display).
- D Press **3 SEC.** button and hold for 3 seconds to lock other three buttons. Press it and hold for 1 second to unlock other three buttons.

#### Display

- 1 **SMART** mode, the refrigerator sets the temperature of two compartments automatically according to internal temperature and ambient temperature.
- 2 **ECO** mode, the refrigerator runs in lowest energy consumption setting.
- 3 **SUPER COOLING** cools the fridge compartment to the lowest temperature for approx. 2 hours. Then the temperature set before super mode is automatically restored.
- 4 **SUPER FREEZING** cools the freezer compartment to the lowest temperature for approx. 6 hours. Then the temperature set before super mode is automatically restored.
- 5 **LOCK**, the symbol will light on if buttons are locked.
- 6 Display the setting temperature of freezer compartment.
- 7 Display the setting temperature of fridge compartment.

#### Door Open Alarm

If one door keeps open for 90 seconds, periodical alarm will be arisen until the door is closed.

## Daily Use

### First use

#### Cleaning the interior

Before using the appliance for the first time, wash the interior and all internal accessories with lukewarm water and some neutral soap so as to remove the typical smell of a brand new product, then dry thoroughly.

**Important!** Do not use detergents or abrasive powders, as these will damage the finish.

### Daily use

#### Freezing fresh food

- The freezer compartment is suitable for freezing fresh food and storing frozen and deep-frozen food for a long time.
- Place the fresh food to be frozen in the bottom compartment.
- The maximum amount of food that can be frozen in 24 hours is specified on the rating plate.
- The freezing process lasts 24 hours: during this period do not add other food to be frozen.

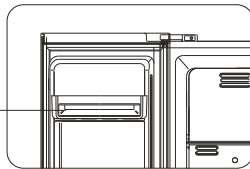
#### Storing frozen food

When first starting-up or after a period out of use, before putting the product in the compartment let the appliance run at least 2 hours on the higher settings.

**Important!** In the event of accidental defrosting, for example the power has been off for longer than the value shown in the technical characteristics chart under "rising time", the defrosted food must be consumed quickly or cooked immediately and then re-frozen (after cooked).

**Caution!** 2 star balcony, with temperature between  $-12^{\circ}$  and  $-18^{\circ}$ , is not suitable for ice cream.

2 Star Balcony



### Thawing

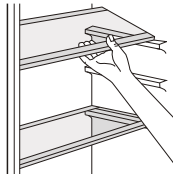
Deep-frozen or frozen food, prior to be used, can be thawed in the fridge compartment or at room temperature, depending on the time available for this operation.

Small pieces may even be cooked still frozen, directly from the freezer. In this case, cooking will take longer.

### Accessories

#### Movable shelves

The walls of the refrigerator are equipped with a series of runners so that the shelves can be positioned as desired.



### Positioning the door balconies

To permit storage of food packages of various sizes, the door balconies can be placed at different heights. To make these adjustments proceed as follows: gradually pull the balcony in the direction of the arrows until it comes free, then reposition as required.



## Daily Use

### Helpful hints and tips

#### Hints for freezing

To help you make the most of the freezing process, here are some important hints:

- the maximum quantity of food which can be frozen in 24 hrs. is shown on the rating plate;
- the freezing process takes 24 hours. No further food to be frozen should be added during this period;
- only freeze top quality, fresh and thoroughly cleaned, foodstuffs;
- prepare food in small portions to enable it to be rapidly and completely frozen and to make it possible subsequently to thaw only the quantity required;
- wrap up the food in aluminium foil or polythene and make sure that the packages are airtight;
- do not allow fresh, unfrozen food to touch food which is already frozen, thus avoiding a rise in temperature of the latter;
- lean foods store better and longer than fatty ones; salt reduces the storage life of food;
- water ices, if consumed immediately after removal from the freezer compartment, can possibly cause the skin to be freeze burnt;
- it is advisable to show the freezing in date on each individual pack to enable you removal from the freezer compartment, can possibly cause the skin to be freeze burnt;
- it is advisable to show the freezing in date on each individual pack to enable you to keep tab of the storage time.

#### Hints for storage of frozen food

To obtain the best performance from this appliance, you should: make sure that the commercially frozen foodstuffs were adequately stored by the retailer; be sure that frozen foodstuffs are transferred from the food store to the freezer in the shortest possible time;

not open the door frequently or leave it open longer than absolutely necessary.

Once defrosted, food deteriorates rapidly and cannot be refrozen.

Do not exceed the storage period indicated by the food manufacture.

#### Hints for fresh food refrigeration

To obtain the best performance:

- Do not store warm food or evaporating liquids in the refrigerator
- Do cover or wrap the food, particularly if it has a strong flavour

#### Hints for refrigeration

Useful hints:

- Make (all types): wrap in polythene bags and place on the glass shelves above the vegetable drawer.
- For safety, store in this way only one or two days at the most.
- Cooked foods, cold dishes, etc...: these should be covered and may be placed on any shelf.
- Fruit and vegetables: these should be thoroughly cleaned and placed in the special drawer(s) provided.
- butter and cheese: these should be placed in special airtight containers or wrapped in aluminum foil or polythene bags to exclude as much air as possible.
- Milk bottle: these should have a cap and should be stored in the balconies on the door.
- Bananas, potatoes, onions and garlic, if not packed, must not be kept in the fridge.

### Cleaning

For hygienic reasons the appliance interior, including interior accessories, should be cleaned regularly.

**Caution!** The appliance may not be connected to the mains during cleaning. Danger of electrical shock! Before cleaning switch the appliance off and remove the plug from the mains, or switch off or turn out the circuit breaker or fuse. Never clean the appliance with a steam cleaner. Moisture could accumulate in electrical components, danger of electrical shock! Hot vapors can lead to the damage of plastic parts. The appliance must be dry before it is placed back into service.

**Important!** Ethereal oils and organic solvents can attack plastic parts, e.g. lemon juice or the juice from orange peel, butyric acid, cleanser that contain acetic acid.



## Daily Use

- Do not allow such substances to come into contact the appliance parts.
- Do not use any abrasive cleaners
- Remove the food from the freezer. Store them in a cool place, well covered.
- Switch the appliance off and remove the plug from the mains, or switch off or turn out the circuit breaker of fuse.
- Clean the appliance and the interior accessories with a cloth and lukewarm water. After cleaning wipe with fresh water and rub dry.
- After everything is dry place appliance back into service.

## Troubleshooting

**Caution!** Before troubleshooting, disconnect the power supply. Only a qualified electrician of competent person must do the troubleshooting that is not in this manual.

**Important!** There are some sounds during normal use (compressor, refrigerant circulation).

Problem	Possible cause	Solution
Appliance does not work	Mains plug is not plugged in or is loose	Insert mains plug.
	Fuse has blown or is defective	Check fuse, replace if necessary.
	Socket is defective	Mains malfunctions are to be corrected by an electrician.
The food is too warm.	Temperature is not properly adjusted.	Please look in the initial Temperature Setting section.
	Door was open for an extended period.	Open the door only as long as necessary.
	A large quantity of warm food was placed in the appliance within the last 24 hours.	Turn the temperature regulation to a colder setting temporarily.
	The appliance is near a heat source.	Please look in the installation location section.
Appliance cools too much	Temperature is set too cold.	Turn the temperature regulation knob to a warmer setting temporarily.
Unusual noises	Appliance is not level.	Re-adjust the feet.
	The appliance is touching the wall or other objects.	Move the appliance slightly.
	A component, e.g. a pipe, on the rear of the appliance is touching another part of the appliance or the wall.	If necessary, carefully bend the component out of the way.
Water on the floor	Water drain hole is blocked.	See the Cleaning and Care section.
Side panels are hot	It's normal. Heat exchange is in the side panels	Take gloves to touch side panels if need.

If the malfunction shows again, contact the Service Center.

للحصول على أفضل أداء:

- لا تخزن الطعام الدافئ أو السوائل التي يتصاعد منها البخار في الثلاجة.
- غطي أو غلف الطعام، لاسيما إذا كانت له نكهة قوية.

## نصائح للتبريد

## نصائح مفيدة

- إعداد (جميع الأنواع): في أكياس بوليثين ووضعها على الأرفف الزجاجية أعلى درج الخضروات.
- لتحقيق الأمان، خزن الطعام بهذه الطريقة لمدة يوم أو اثنان بحد أقصى.
- الطعام المطبوخ والأطباق الباردة، إلخ: ينبغي تغطيتها ويمكن وضعها على أي رف.
- الخضروات والفواكه: ينبغي تنظيفها جيدا ووضعها في الأدراج المخصصة لذلك.
- الزبد والجبن: ينبغي وضعها في أوعية محكمة الغلق لا تسرب الهواء ولها في فويل ألومنيوم أو أكياس بوليثين للتخلص من الهواء بقدر الإمكان.
- زجاجة اللبن: ينبغي تغطيتها وتخزينها على الحوامل الموجودة على الباب.
- الموز، والبطاطس، والبصل والثوم، في حالة عدم تغليفها لا ينبغي حفظها في الثلاجة.

## التنظيف

ينبغي تنظيف الجهاز من الداخل بالإضافة إلى الملحقات الداخلية بانتظام وذلك لأسباب المحافظة على الصحة.

تحذير! لا توصل الجهاز بالتيار الكهربائي الرئيسي أثناء التنظيف. احذر خطر التعرض للصعق الكهربائي! قبل التنظيف اضبط الجهاز على وضع عد التشغيل وانزع القابس من مصدر التيار الكهربائي الرئيسي أو أطفأه أو أطفأ قاطع الدائرة الكهربائية أو الفيوز. لا تنظف الجهاز أبدا باستخدام البخار. يمكن للربوبية أن تتراكم داخل المكونات الكهربائية أو الفيوز، أو الإصابة بخطر الصعق الكهربائي! الأبخرة الساخنة يمكن أن تؤدي إلى تلف الأجزاء البلاستيكية. ينبغي تجفيف الجهاز قبل تشغيله مرة أخرى.

هام! الزيوت الأثيرية والمذيبات العضوية تسبب التلف للأجزاء البلاستيكية، مثل عصير الليمون، أو العصير المتخلف من قشر البرتقال، وحمض البيوتريك، والمطهرات التي تحتوي على حمض الأسيتيك.

- لا تسمح بتلامس هذه المواد مع أجزاء الجهاز.

- لا تستخدم أي منظفات مزيلة.
- أزل الطعام من المجمد. خزنه في مكان بارد مغطى جيدا.
- أطفأ الجهاز وانزع القابس من مصدر التيار الكهربائي الرئيسي، أو أطفأه أو أطفأ قاطع الدائرة الكهربائية أو الفيوز.
- نظف الجهاز والملحقات الداخلية باستخدام قطعة قماش وماء فاتر. بعد التنظيف امسحه بماء عذب وجففه.
- بعد أن يجف كل شيء يمكن تشغيل الجهاز مرة أخرى.

## استكشاف الأخطاء وإصلاحها

⚠ تحذير! قبل استكشاف الأخطاء وإصلاحها، افصل الجهاز عن التيار الكهربائي. ينبغي أن يتولى أحد عمال الكهرباء المؤهلين أو الشخص المختص مهمة استكشاف الأخطاء غير الواردة في هذا الدليل وإصلاحها. هام! يصحب التشغيل العادي بعض الأصوات أو الضوضاء (المكبس أو دورة التبريد).

المشكلة	السبب المحتمل	الحل
الجهاز لا يعمل	مصدر التيار الكهربائي الرئيسي غير موصل أو مفكوك	وصل القابس بالتيار الكهربائي
	الفيوز انفجر أو معطل	تحقق من الفيوز، استبدله إن تطلب الأمر
	القابس معطل	في حالة أعطال التيار الكهربائي الرئيسي، يتم إصلاحها بمعرفة فني الكهرباء.
الطعام دافئ جدا	لم تضبط درجة الحرارة على نحو صحيح	يرجى التحقق من القسم الخاص بضبط درجة الحرارة الداخلية
	الباب كان مفتوح لمدة طويلة	افتح الباب للمدة اللازمة فقط
	وضع كمية كبيرة من الطعام الدافئ في الجهاز في خلال ٢٤ ساعة الماضية.	اضبط منظم درجة الحرارة على وضع أكثر برودة مؤقتا.
	الجهاز موجود بالقرب من مصدر حراري	يرجى الإلتصاق على قسم موقع التركيب.
الجهاز يبرد أكثر من اللازم	الحرارة مضبوطة على بارد جدا	اضبط منظم درجة الحرارة على وضع أدفأ مؤقتا
ضوضاء غير معتادة	الجهاز غير متوازن	أعد ضبط الأقدام
	الجهاز يلمس الحائط أو أجسام أخرى	حرك الجهاز قليلا
	أحد المكونات مثل: أحد الأنابيب، على الناحية الخلفية من الجهاز يلمس قطعة أخرى من الجهاز أو يلمس الحائط.	عند الضرورة، اثنى العنصر برفق بعيدا عن الطريق.
مياه على الأرض	فتحة تصريف المياه مغلقة	انظر قسم التنظيف والرعاية
اللوحات الجانبية ساخنة	أمر طبيعي. مبدل الحرارة في اللوحات الجانبية	ارتدي قفاز للمس اللوحات الجانبية عند الضرورة.

إذا ظهر العطل مرة أخرى، اتصل بمركز الخدمة.

## الاستخدام الأول

## التنظيف من الداخل

قبل استخدام الجهاز للمرة الأولى، اغسله من الداخل واغسل الملحقات الداخلية باستخدام مياه فاترة، وبعض الصابون المتعاد للتخلص من الرائحة المعتادة الخاصة بالأجهزة الجديدة، ثم جففه جيدا.  
هام! لا تستخدم المنظفات أو المساحيق، حيث أنها تؤدي لتلف التشطيب.

## الاستخدام اليومي

## تجميد الطعام الطازج

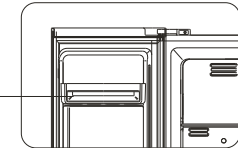
- مقصورة المجمد مناسبة لتجميد الطعام الطازج وتخزين الطعام المجمد والمجمد بالكامل لمدة زمنية طويلة.
- ضع الطعام الطازج في المقصورة السفلى لتجميد.
- تحدد أقصى كمية من الطعام التي يمكن تجميدها في ٢٤ ساعة على لوحة التصنيف.
- تستمر عملية التجميد لمدة ٢٤ ساعة: لا تضيف طعام آخر للتجميد خلال هذه الفترة.

## تخزين الطعام المجمد

عند التشغيل للمرة الأولى أو بعد فترة من عدم الاستخدام وقبل وضع المنتج في المقصورة، اترك الجهاز قيد التشغيل لمدة لا تقل عن ساعتين على إعدادات أعلى.

هام! في حالة التذويب عن طريق الخطأ، على سبيل المثال، انقطع التيار الكهربائي لمدة أطول من القيمة الموضحة في مخطط الخصائص التقنية تحت خانة "مدة التزايد"، ينبغي استهلاك الطعام الذي تعرض للتذويب سريعا أو طهيها فورا وبعد ذلك إعادة تجميده (بعد الطهي).

تحذير: حاملي ستار، بدرجة حرارة بين ١٢ درجة مئوية و ١٨ درجة مئوية، غير ملائمان للأيس كريم.



حاملي ستار

## التذويب

يمكن تذويب الطعام المجمد بالكامل أو المجمد قبل استخدامه في مقصورة الثلجة أو في درجة حرارة الغرفة وذلك بناء على الوقت المتاح لهذه العملية.

يمكن طهي القطع الصغيرة حتى وهي مجمدة من المجمد مباشرة. في هذه الحالة سيستغرق الطهي وقت أطول.

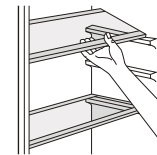
## الملحقات

## الرفوف المتحركة

جدران الثلجة مجهزة بسلسلة من مجاري الأدرج بحيث يمكن وضع الأرفف في المكان المرغوب

## ضبط وضع حوامل الباب

للسماح بتخزين عبوات الطعام مختلفة الأحجام، يمكن وضع حوامل الباب على ارتفاعات مختلفة. لعمل هذه التعديلات اتبع التعليمات التالية: اسحب الحامل بالتدرج في اتجاه الأسهم حتى يتحرر من مكانه، ثم يعدل موضعه على النحو المطلوب.



## نصائح وتعليمات مفيدة

## نصائح حول التجميد

لمساعدتك على تحقيق الاستفادة القصوى من عملية التجميد، فيما يلي بعض النصائح الهامة:

- تحدد أقصى كمية من الطعام التي يمكن تجميدها في ٢٤ ساعة على لوحة التصنيف.
- تستمر عملية التجميد لمدة ٢٤ ساعة: لا تضيف طعام آخر للتجميد خلال هذه الفترة.
- لا تجمد سوى الطعام عالي الجودة، والطازج والذي خضع للتنظيف الجيد.
- يرجى اعداد الطعام بكميات صغيرة للتمكن من تجميدها سريعا وبالكامل كما سيسهل عند التذويب الحصول على الكمية المطلوبة فقط.
- غلف الطعام بفول ألومنيوم أو بولييثين والتأكد من أن الغلاف محكم وغير منفذ للهواء.
- لا تسمح للطعام الطازج غير المجمد بلمس الطعام المجمد بالفعل وبالتالي تفادي ارتفاع درجة حرارة الطعام المجمد.
- الطعام الخالي من الدهون يُخزن على نحو أفضل ولمدة أطول من الطعام الدهني، يقلل الملح من فترة تخزين الطعام.
- مكعبات المياه المثلج، إذا استخدمت فورا بعد نزعها من مقصورة المجمد يمكن أن تتسبب في كدمات الصقيع.
- من المستحسن عرض تاريخ التجميد على كل عبوة على حدة للتمكن من نزعها من مقصورة المجمد، والذي يمكن أن يتسبب في الإصابة بكدمات الصقيع.
- من المستحسن عرض تاريخ التجميد على كل عبوة على حدة للتمكن من معرفة وقت التخزين.

## نصائح لتخزين الطعام المجمد

لتحقيق الاستفادة القصوى من هذا القصوى، يرجى الإلتزام بما يلي:

- احرص على أن تكون الأطعمة المجمدة والمتاحة تجاريا قد خضع للتخزين على نحو مناسب، تأكد من نقل الأطعمة المجمدة من المتجر إلى المجمد في أقصر وقت ممكن.
- لا تفتح الباب كثيرا أو لا تتركه مفتوحا أطول من اللازم.
- بمجرد تذويبه، يتفتت الطعام سريعا ولا يمكن إعادة تجميده مرة أخرى.
- لا تتجاوز فترة التخزين التي حدتها الشركة المصنعة للأطعمة.

## اختيار المكان المناسب

يرجى تركيب هذا الجهاز في مكان بحيث تكون درجة الحرارة المحيطة متوافقة مع فئة المناخ المشار إليها على لوحة التصنيف الخاصة بالجهاز:

درجة الحرارة المحيطة	فئة المناخ
+ 10 درجة مئوية إلى 32 درجة مئوية	SN
+ 16 درجة مئوية إلى 32 درجة مئوية	N
+ 16 درجة مئوية إلى 38 درجة مئوية	ST
+ 16 درجة مئوية إلى 43 درجة مئوية	T

## الموقع

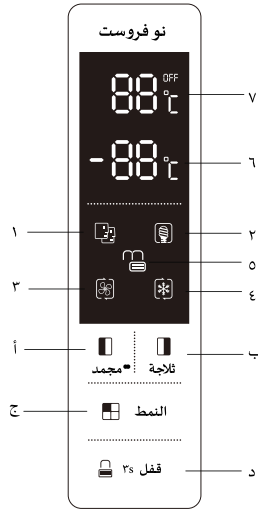
ينبغي تركيب الجهاز في مكان جيد بعيداً عن مصادر الحرارة مثل المشعات، الغلايات، وأشعة الشمس المباشرة... الخ. تأكد من أن الهواء يحيط بالناحية الخلفية من الكابينة بحرية. لضمان أفضل أداء، إذا وضع الجهاز أسفل وحدة معلقة على الحائط، ينبغي ألا تقل المسافة بين أعلى الكابينة وبين وحدة الحائط عن 100 مللي. بالرغم من ذلك وللوضع الأمثل، لا ينبغي وضع الجهاز أسفل وحدات معلقة على الحائط. ينبغي التأكد من ضبط مستوى التوازن باستخدام واحد أو أكثر من الأقدام القابلة للضبط على قاعدة الكابينة.

**تحذير!** ينبغي أن يكون فصل الجهاز عن قابس التيار الكهربائي أمراً متاحاً، وبالتالي ينبغي أن يكون الوصول إلى القابس أمر سهل بعد التركيب.

## التوصيلات الكهربائية

قبل التوصيل بالتيار الكهربائي، تأكد من أن الجهد الكهربائي والتردد الموضح على لوح التصنيف يتوافق مع التيار الكهربائي المنزلي. ينبغي تأريض الجهاز. سلك قابس التيار الكهربائي مزود بتوصيلة لهذا الغرض. في حالة عدم تأريض قابس الكهرباء المنزلي، وصل الجهاز بدائرة كهربائية أرضية منفصلة بما يتفق مع اللوائح الحالية واستشارة فني كهرباء مؤهل. لا تتحمل الشركة المصنعة أي مسؤولية في حالة عدم الالتزام باحتياطات الأمان. هذا الجهاز يمثل لتوجهات المجموعة الاقتصادية المشتركة (EEC).

## استخدام لوحة التحكم



## الأزرار

اضغط على "ا" لضبط درجة حرارة مقصورة المجمد (الجانب الأيسر) من - 14 درجة مئوية إلى - 22 درجة مئوية. تضغط على "ب" لضبط درجة حرارة مقصورة الثلجة (الجانب الأيمن) من 2 درجة مئوية إلى 8 درجة مئوية واضغط على "OFF". إذا اخترت "OFF" سيتم إيقاف تشغيل مقصورة الثلجة. اضغط على "ج" لتحديد نمط التشغيل من ذكي (SMART)، اقتصادي (ECO)، تبريد عالي (SUPER COOLING)، تجميد عالي (SUPER FREEZING) وإعدادات المستخدم (لا يوجد رمز في العرض). اضغط على زر "د" لمدة 3 ثواني لغلق الأزرار الثلاثة الأخرى. اضغط على هذا الزر لمدة ثانية لفتح قفل الأزرار الثلاثة الأخرى.

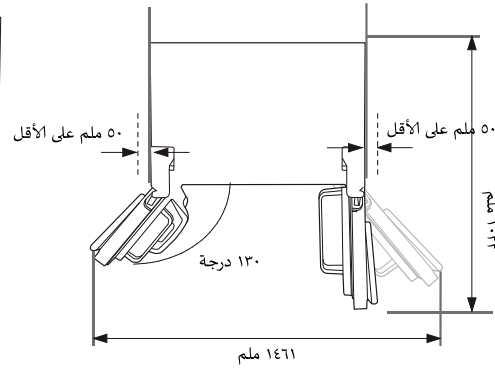
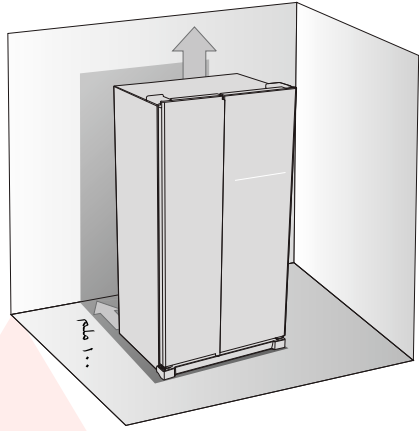
## العرض

- 1 " " نمط ذكي (SMART) تضبط الثلجة درجة حرارة المقصورتين تلقائياً وفقاً لدرجة الحرارة الداخلية ودرجة الحرارة المحيطة.
- 2 " " النمط الاقتصادي (ECO)، الثلجة تعمل بأقل استهلاك للطاقة.
- 3 " " التبريد العالي (SUPER COOLING) يبرد مقصورة الثلجة إلى أقل درجة حرارة لمدة ساعتين تقريباً، ثم يتم استعادة درجة الحرارة المضبوطة قبل نمط عالي "Super" تلقائياً.
- 4 " " التجميد العالي (SUPER FREEZING) يبرد مقصورة المجمد إلى أقل درجة حرارة لمدة 6 ساعات تقريباً، ثم يتم استعادة درجة الحرارة المضبوطة قبل نمط عالي "Super" تلقائياً.
- 5 " " القفل (LOCK)، سيضيء هذا الرمز عند قفل الأزرار.
- 6 " " عرض إعدادات درجة حرارة مقصورة المجمد
- 7 " " عرض إعدادات درجة حرارة مقصورة الثلجة.

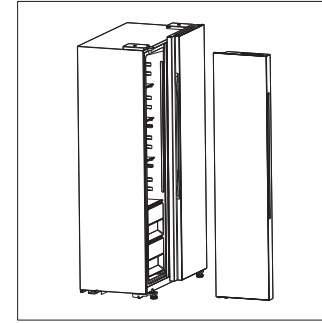
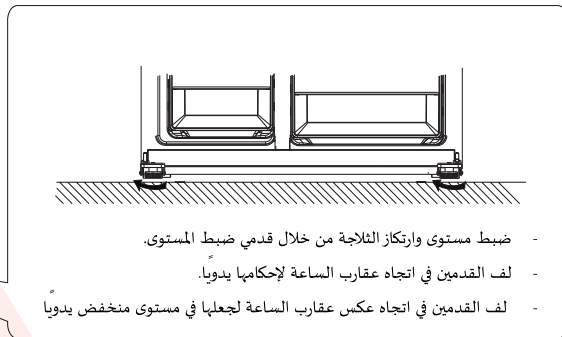
## إنذار فتح الباب

إذا استمر فتح الباب لمدة 90 ثانية، سينطلق إنذار بشكل دوري إلى حين قفل الباب.

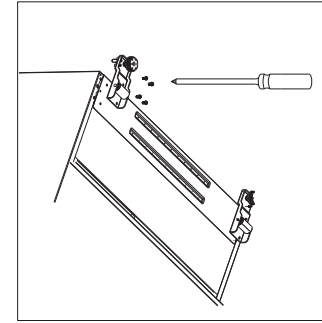
- اختر موقع لا يتعرض لضوء الشمس المباشر.
- اختر موقع يوجد به مساحة كافية لفتح أبواب الثلاجة بسهولة.
- اختر موقع بأرضية مستوية (أو مستوية تقريباً).
- السماح بوجود مساحة كافية لوضع الثلاجة على سطح مستوي.
- السماح بوجود مساحة فارغة على يمين ويسار وخلف وأعلى الجهاز عند التركيب. يساعد هذا على الحد من استهلاك الطاقة وسيقلل من فواتير الكهرباء لديك.



ضبط مستوى وارتكاز الثلاجة



4- ارفع الباب وضعه على وسادة ليننة. ثم أزل الباب الآخر بنفس الطريقة.



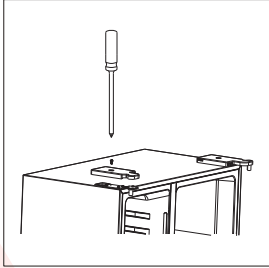
5- فك المفصلات من الأسفل.

6- بعد وضع الجهاز، قم بتثبيت الأبواب بطريقة عكسية.

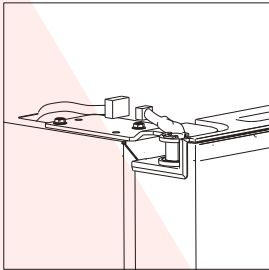
## إزالة الأبواب

الأداة المطلوبة: مفك براغي فيليبس، مفك براغي ذو نصل عريض.

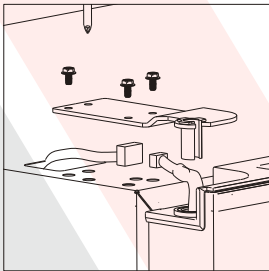
- تأكد من أن الوحدة مفصولة عن الكهرباء وفارغة.
- لخلع الباب، يلزم إمالة الوحدة إلى الخلف. وينبغي أن يتم وضع الوحدة على شيء صلب حتى لا تنزلق أثناء عملية إزالة الباب.
- يجب حفظ جميع الأجزاء التي تم إزالتها لإعادة تركيب الباب.
- لا تضع الوحدة على بشكل مسطح لأن ذلك قد يضر بجهاز التبريد.
- من الأفضل أن يتناول الوحدة شخصان أثناء التجميع.



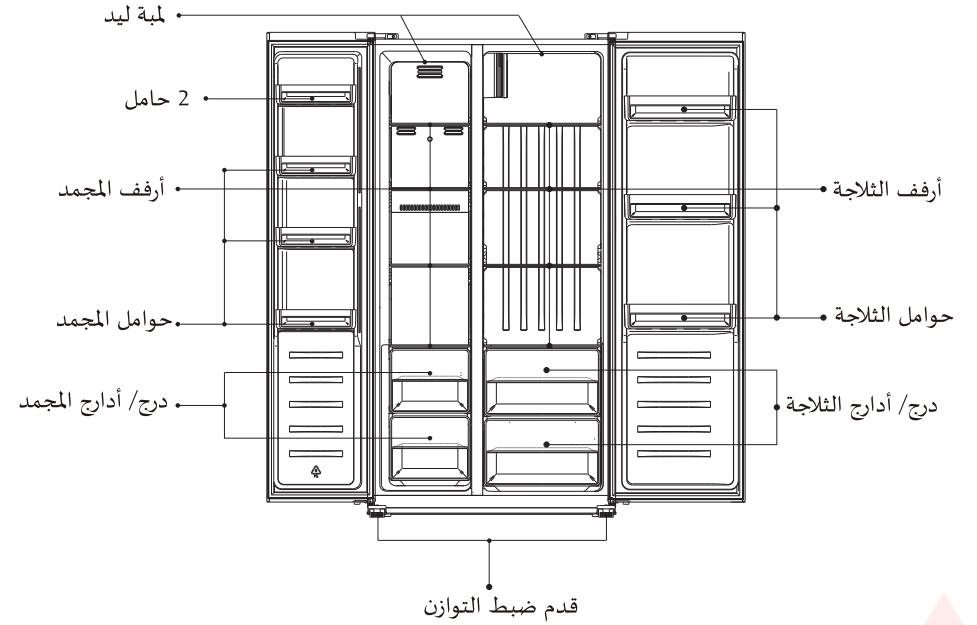
1- فك غطاء المفصلة بمفك البراغي فيليبس



2- افصل حمالة الأمان



فك المفصلة من الأعلى



ملحوظة: الصورة السابقة تُستخدم كمرجع فقط. يمكن أن يكون الجهاز الفعلي مختلف باختلاف طفيف.

هام! للتوصيل الكهربائي بعناية، يُرجى اتباع التعليمات الواردة في الفقرات المحددة لذلك.

- فرغ محتويات الجهاز وتحقق من عدم وجود تلفيات به. لا توصل الجهاز إذا كان تالفاً. ابلغ فوراً عن التلفيات المحتملة للمكان الذي اشتريته منه. في هذه الحالة احتفظ بالتغليف.
- من المستحسن الانتظار أربع ساعات على الأقل قبل توصيل الجهاز للسماح بالزيت للرجوع مرة أخرى إلى المكبس.
- ينبغي الحفاظ على دورة الهواء المناسب حول الجهاز، من الممكن أن يؤدي الإخفاق في هذا الأمر إلى زيادة درجة الحرارة. للحصول على التهوية المناسبة، يرجى اتباع التعليمات الخاصة بالتركيب.
- كلما كان ذلك ممكناً، ينبغي وضع فواصل المنتج مقابل الحائط لتفادي لمس أو إصابة الأجزاء الساخنة (المكيس، المكثف) لمنع الحروق المحتملة.
- لا ينبغي وضع الجهاز بالقرب من المشعات أو المواقد.
- تأكد من إمكانية الوصول إلى مقبس التيار الكهربائي الرئيسي بعد تركيب الجهاز.

## الخدمة

- يتولى عامل كهرباء مؤهل أو أحد المختصين الأعمال الكهربائية اللازمة لإجراء الصيانة على الجهاز.
- يتولى عمل الصيانة لهذا المنتج مركز خدمات مرخص، ولا تستخدم سوى قطع الغيار الأصلية فقط.

## توفير الطاقة

- لا تضع أطعمة ساخنة داخل الجهاز.
- لا تعبأ الأطعمة بجوار بعضها البعض لأن ذلك يمنع تجدد دورة الهواء.
- تأكد من أن الطعام لا يلمس الجانب الخلفي من المقصورة.
- إذا انقطع التيار الكهربائي، لا تفتح الباب.
- لا تفتح الباب على نحو متكرر.
- لا تترك الباب مفتوحاً لفترة تزيد عن اللازم.
- لا تضبط الثيرموستات لتجاوز درجات الحرارة الباردة.
- يمكن إزالة بعض الملحقات مثل الأدراج للحصول على مساحة تخزين أكبر واستهلاك طاقة أقل.

هذا الجهاز لا يحتوي على غازات من شأنها أن تدمر طبقة الأوزون سواء في دورة التبريد أو المواد العازلة. لا ينبغي التخلص من الجهاز مع القمامة والنفايات الحضرية. يحتوي الاسفنج العازل على غازات قابلة للاشتعال: ينبغي التخلص من الجهاز وفقاً للوائح الجهاز والتي يمكن الحصول عليها من السلطات المحلية لديكم. تفادي حدوث تلفيات بوحدة التبريد خصوصاً المبادل الحراري. المواد المستخدمة في هذا الجهاز والتي تحمل العلامة ♻️ قابلة لإعادة التدوير.



يشير هذا الرمز الموجود على المنتج أو على الغلاف الخاص به إلى أنه لا ينبغي معاملة هذا المنتج كنفايات منزلية. بدلا من ذلك، يؤخذ الجهاز إلى نقطة تجميع مناسبة لإعادة تدوير المعدات الكهربائية والإلكترونية. التأكد من التخلص من هذا المنتج على نحو صحيح، يساعد على منع العواقب السلبية المحتملة التي تؤثر على البيئة وصحة الإنسان، والتي كان من الممكن أن يتسبب بها التعامل غير اللائق مع هذا المنتج. للحصول على مزيد من المعلومات التفصيلية فيما يتعلق بإعادة تدوير هذا المنتج يرجى الاتصال بمستشاركم المحلي، أو خدمات التخلص من القمامة المنزلية أو المتجر الذي اشتريته منه المنتج.

## مواد التغليف

المواد التي تحمل رمز التدوير قابلة لإعادة التدوير. تخلص من الغلاف في حاويات جمع مناسبة لإعادة تدويرها.

## التخلص من الجهاز

- 1- افصل قابس التيار الكهربائي الرئيسي من المقبس الرئيسي.
- 2- اقطع الكابل الرئيسي وتخلص منه.

ويهدف هذا الجهاز لاستخدامه في التطبيقات المنزلية وما شابهها

- لا ينبغي أن يعمل الجهاز بدون المصباح.
- هذا الجهاز ثقيل الوزن. يرجى توخي الحذر عند تحريكه.
- لا تلتقط الأشياء الموجودة داخل مقصورة المجمد أو تلمسها إذا كانت يدك رطبة أو مبللة، حيث قد يتسبب هذا في حدوث سحجات بالجلد أو حروق الصقيع/ التجميد.
- تفادي تعرض الجهاز لفترة طويلة لأشعة الشمس المباشرة.

#### الاستخدام اليومي

- لا تضع أدوات ساخنة على الأجزاء البلاستيكية في الجهاز.
- لا تضع منتجات غذائية مقابل الجدار الخلفي مباشرة.
- لا ينبغي إعادة تجميد الطعام مرة أخرى بعد ذوبانه.<sup>2</sup>
- تخزين الطعام المجمد المعبأ مسبقاً وفقاً لتعليمات الشركة المصنعة الخاصة بالطعام المجمد.<sup>1</sup>
- ينبغي الالتزام تماماً بتوصيات التخزين الصادرة من الشركة المصنعة للجهاز. يرجى الرجوع إلى التعليمات المعنية.
- لا تضع المشروبات الغازية في مقصورة المجمد حيث تضغط على الإناء مما قد يتسبب في تفجيره، مما ينجم عنه تلف في الجهاز.<sup>1</sup>
- المصاصات الثلجية يمكن أن تتسبب في حدوث حروق الصقيع إذا تم تناولها من الجهاز مباشرة.<sup>1</sup>

#### العناية والتنظيف

- قبل البدء في الصيانة، يرجى إطفاء الجهاز وفصل قابس التيار الكهربائي الرئيسي من المقبس الرئيسي.
- لا تنظف الجهاز باستخدام أدوات المعدنية.
- لا تستخدم أدوات حادة للتخلص من الثلج الموجود بالجهاز. استخدم مكشحة بلاستيكية.<sup>1</sup>
- فحص مصرف المياه الناتجة عن ذوبان الثلج في الثلاجة بانتظام. إذا تطلب الأمر، نظف المصرف وإذا كان مسدوداً ستجتمع المياه في أسفل الجهاز.<sup>3</sup>

<sup>2</sup> في حالة وجود مقصورة مجمد.

<sup>3</sup> في حالة وجود مقصورة تخزين طعام طازج.

- ⚠ تحذير! لا تتسبب في تلف دائرة التبريد.
- ⚠ تحذير! لا تستخدم الأجهزة الكهربائية الأخرى (مثل صانع الأيس كريم) داخل أجهزة التبريد، ما لم تعتمدهما شركة التبريد لهذا الغرض.
- ⚠ تحذير! لا تلمس المصباح الكهربائي في حالة تشغيلها لفترة زمنية طويلة لأنها قد تكون ساخنة جداً.<sup>1</sup>
- لا تخزن مواد قابلة للانفجار مثل البخاخات والتي تحتوي على مواد قابلة للاشتعال في هذا الجهاز.
- تحتوي دائرة التبريد داخل الجهاز على أيسوبيوتان التبريد (R600a)، وهو غاز طبيعي على درجة عالية من التوافق البيئي، ومع ذلك فهو قابل للاشتعال.
- تأكد أثناء نقل وتركيب الجهاز من عدم تعريض أي من مكونات دائرة التبريد للتلف.
  - تفادي الشعلات المكشوفة ومصادر الاشتعال.
  - تهوية الغرفة جيداً التي تحتوي على الجهاز.
- من الخطورة تعديل المواصفات أو تعديل هذا المنتج على أي نحو. يمكن أن يتسبب أي تلف في السلوك في حدوث قصور في الدائرة الكهربائية، أو حريق أو إصابة بصدمة كهربية أو جميع تلك المخاطر.
- هذا الجهاز مخصص للاستخدام في المنزل والاستخدامات الأخرى المماثلة، على سبيل المثال:
  - مطبخ الموظفين في المتاجر والمكاتب وبيئات العمل الأخرى.
  - المنازل الزراعية والتي يستخدمها العملاء في الفنادق والنزل وغيرها من أماكن الإقامة.
  - الأماكن الخاصة بتقديم خدمة المبيت والإفطار،
  - الأماكن الخاصة بخدمات تقديم الطعام وأجهزة غير البيع بالتجزئة.
- ⚠ تحذير! ينبغي استبدال أي مكونات كهربية (القابس، وسلك الكهرباء، والمكبس، إلى آخره)، ويتولى استبدالها وكيل خدمات معتمد أو عامل صيانة مؤهل.
- ⚠ تحذير! المصباح الكهربائي الموجود داخل هذا الجهاز "لمبة مصباح لاستخدام خاص، يقتصر استخدام هذا المصباح الخاص مع الجهاز المقدم فقط. لا يستخدم هذا المصباح الخاص للإضاءة المنزلية.<sup>1</sup>
- لا ينبغي إطالة سلك الكهرباء.
- تأكد من عدم تعرض قابس الكهرباء للتلف أو يحطمه الجانب الخلفي من الجهاز. يمكن أن يتعرض القابس التالف أو المحطم لارتفاع في درجة الحرارة والتسبب في حرائق.
- تأكد من تمكثك للوصول لقابس التيار الكهربائي الرئيسي الخاص بالجهاز.
- لا تجذب كابل التيار الكهربائي الرئيسي.
- إذا كان مقبس التيار الكهربائي مفكوك، لا تدخل قابس التيار الكهربائي. احذر خطر الصدمة الكهربائية أو الحريق.

<sup>1</sup> في حالة وجود إضاءة في المقصورة.



المحتويات	
5-1	1- معلومات السلامة
6	2- لمحة عامة
10-7	3- التركيب
15-11	4- الاستخدام اليومي

### ⚠️ معلومات السلامة

حرصًا على سلامتكم ولضمان الاستخدام الصحيح للجهاز، يرجى قراءة هذا الدليل الخاص بالمستخدم جيدًا قبل تركيب الجهاز واستخدامه للمرة الأولى. لتفادي الأخطاء غير الضرورية والحوادث، من المهم أن نضمن أن جميع الأشخاص الذين يستخدمون هذا الجهاز أن يكونوا على دراية تامة بتشغيله وبخصائص السلامة. يرجى الاحتفاظ بهذه التعليمات وإبقائها مع الجهاز في حالة نقله إلى مكان آخر أو بيعه بحيث يتمكن جميع من سيقوم بتشغيله طوال تلك الفترة من معرفة كيفية الاستخدام والسلامة.

يرجى الحفاظ على الاحتياطات الضرورية الواردة في دليل المستخدم هذا وذلك للحفاظ على الأرواح والممتلكات، حيث أن الشركة المصنعة غير مسؤولة عن التلفيات التي يتسبب فيها إغفال تلك الاحتياطات.

### سلامة الأطفال والأشخاص المعرضين للخطر

- يسمح للأطفال الذين يبلغون 8 أعوام أو أكثر بالإضافة إلى الأشخاص الذين يعانون من تراجع في القدرات البدنية أو الحسية أو الذهنية أو من نقص الخبرة والمعرفة باستخدام هذا الجهاز في حالة وجود إشراف عليهم أو في حالة تلقهم لتعليمات الاستخدام الخاصة بالجهاز بطريقة آمنة وفهم الأخطار المتعلقة باستخدامه.
- ينبغي وضع الأطفال تحت إشراف لضمان عدم لعبهم بالجهاز.
- لا ينبغي أن يتولى الأطفال مهام التنظيف والصيانة ما لم يبلغوا من العمر 8 سنوات فأكثر ويكونون تحت إشراف.
- إبقاء مواد التعبئة والتغليف بعيداً عن متناول الأطفال لتفادي خطر الاختناق.
- في حالة التخلص من الجهاز، يرجى سحب القابس من المقبس، واقطع كابل التوصيل (إلى أقرب مسافة ممكنة من الجهاز) وانزع الباب لمنع الأطفال وهم يلعبون من الإصابة بصدمات كهربية أو من حبس أنفسهم بالداخل.
- في حالة الحصول على هذا المنتج الذي يستخدم المغناطيس لقفل الباب بدلاً من جهاز قديم يستخدم قفل زنبركي (مزلاج) على الباب أو الغطاء، تأكد من جعل هذا الزنبرك غير قابل للاستخدام قبل التخلص من الجهاز القديم. وهذا لضمان تجنب مخاطر موت الأطفال.

### تعليمات السلامة العامة

- ⚠️ تحذير! الإبقاء على فتحات التهوية الموجودة بالحاوية أو المدمجة في الهيكل خالية من أي عوائق.
- ⚠️ تحذير! لا تستخدم أجهزة ميكانيكية أو وسائل أخرى والتي تسرع من عملية الذوبان بخلاف تلك التي توصي بها الشركة المصنعة.



الطراز: RFHA-SB596NGB5