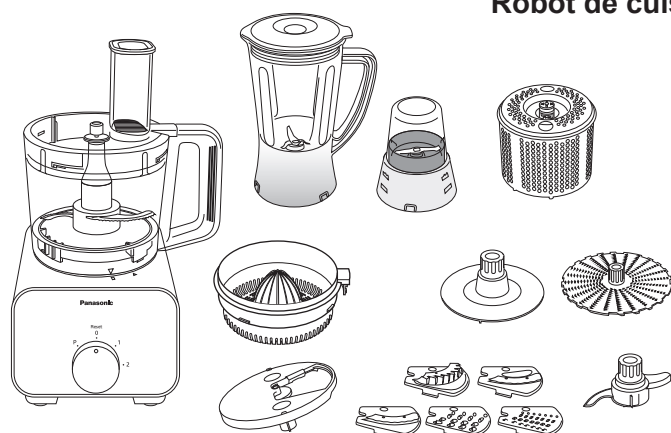


Panasonic®

Operating Instructions / Bedienungsanleitung / Instructions de fonctionnement / Istruzioni per l'uso Instrucciones de funcionamiento / Gebruiksaanwijzing

Food Processor (Household Use)
Universal-Küchenmaschine (Hausgebrauch)
Robot de cuisine multifonction (Utilisation domestique)
Robot da cucina (Per uso domestico)
Procesador de alimentos (Uso hogareño)
Keukenmachine (Huishoudelijk Gebruik)



Model No.

MK-F500

Thank you for purchasing the Panasonic product.

- This product is intended for household use only.
- Please read these instructions carefully in order to use this product correctly and safely.
- Before using this product **please give your special attention to the section "SAFETY PRECAUTIONS"** (Page GB3-GB5).
- Please keep this Operating Instructions for future use.

Wir danken Ihnen für den Kauf des Panasonic-Produkts.

- Dieses Produkt ist nur für den Haushaltsgebrauch vorgesehen.
- Bitte lesen Sie sorgfältig diese Anleitung, um einen korrekten und sicheren Betrieb der Maschine zu gewährleisten.
- Bevor Sie dieses Produkt verwenden, **lesen Sie sich bitte aufmerksam die "SICHERHEITSVORKEHRUNGEN"** (Seite DE3-DE5) durch.
- Bitte bewahren Sie diese Bedienungsanleitung für einen späteren Verwendung auf.

Nous vous remercions d'avoir choisi le produit Panasonic.

- Ce produit est destiné aux particuliers uniquement.
- Veuillez lire attentivement ces consignes afin d'utiliser la machine à café de manière correcte et sécurisée.
- Avant d'utiliser ce produit, **veuillez porter une attention toute particulière à la section intitulée "CONSIGNES DE SÉCURITÉ"** (Page FR3-FR5).
- Veuillez conserver ce mode d'emploi pour référence ultérieure.

Grazie per aver acquistato il prodotto Panasonic.

- Questo prodotto è destinato esclusivamente a un uso domestico.
- Leggere attentamente queste istruzioni per utilizzare l'apparecchio in modo corretto e sicuro.
- Prima di utilizzare questo prodotto **prestare particolare attenzione alle "PRECAUZIONI DI SICUREZZA"** (Pagine IT3-IT5).
- Conservare queste istruzioni operative per la consultazione in futuro.

Gracias por comprar el producto de Panasonic.

- Este producto se ha diseñado exclusivamente para un uso doméstico.
- Lea atentamente estas instrucciones para utilizar el aparato de forma correcta y segura.
- Antes de utilizar este producto, **preste especial atención a las "PRECAUCIONES DE SEGURIDAD"** (Páginas SP3-SP5).
- Conserve estas instrucciones de funcionamiento para su uso en el futuro.

Hartelijk dank voor uw aankoop van de Panasonic product.

- Dit product is alleen bestemd voor huishoudelijk gebruik.
- Lees deze handleiding zorgvuldig door om het apparaat juist en veilig te gebruiken.
- Voordat u dit product gebruikt, **schenk speciaal aandacht aan de "VEILIGHEIDSMATREGELEN"** (Pagina NL3-NL5).
- Bewaar deze gebruiksaanwijzing voor toekomstig gebruik.

TABLE OF CONTENTS


	Page
SAFETY PRECAUTIONS	GB3 - GB5
IMPORTANT INFORMATION	GB6
ELECTRICAL REQUIREMENT	GB7
PART NAMES	GB8 - GB9
CIRCUIT BREAKER PROTECTION	GB9
SAFETY LOCK	GB10
DISASSEMBLY	GB10
FOOD PROCESSOR	
(i) INTRODUCTION	GB11
(ii) KNIFE BLADE • KNEADING BLADE • WHIPPING BLADE • GRATING BLADE	GB11 - GB13
– Preparation of Ingredients	
– How to Use	
(iii) SLICING BLADES • SHREDDING BLADES • JULIENNE BLADE	GB14 - GB15
– Preparation of Ingredients	
– How to Use	
(iv) SALAD DRAINER	GB16
– Preparation of Ingredients	
– How to Use	
(v) CITRUS PRESS	GB17
– Preparation of Ingredients	
– How to Use	
BLENDER	
(i) INTRODUCTION	GB18
(ii) BLENDER	GB18
– Preparation of Ingredients	
– How to Use	
DRY MILL	
(i) DRY MILL	GB19
– Preparation of Ingredients	
– How to Use	
AFTER USE	GB20 - GB21
TROUBLESHOOTING	GB22
SPECIFICATIONS	GB23

SAFETY PRECAUTIONS (Make sure to follow these instructions)


In order to prevent accidents or injuries to the user, other people and damage to property, please follow the instructions below.


- The following indication indicates the degree of damage caused by incorrect operation.

 **WARNING** Indicates serious injury or death.


 **CAUTION** Indicates risk of injury or property damage.

- The symbols are classified and explained as follows.


 This symbol indicates prohibition.


 This symbol indicates requirement that must be followed.

WARNING

-  ● **Do not damage the Cord or the Plug.**
(It may cause electric shock, or fire caused by short circuit.)
- **Do not use the appliance if the Cord or the Plug is damaged or the Plug is loosely connected to the outlet.**
(It may cause electric shock, or fire caused by short circuit.)
 - ➔ If the Cord is damaged, it must be replaced by the manufacturer, its service center or similarly qualified persons in order to avoid a hazard.
- **Do not plug or unplug the Plug with wet hands.**
(It may cause electric shock.)
- **Do not exceed outlet voltage or use an alternate current other than that specified on the appliance.**
(It may cause electric shock or fire.)
 - Make sure the voltage supplied to the appliance is the same as your local supply.
 - Plugging other devices into the same outlet may cause over-heating.
- **Do not immerse the Motor Housing in water or splash it with water.**
(It may cause electric shock, or fire caused by short circuit.)
- **Do not dismantle, repair or modify the appliance.**
(It may cause fire, electric shock or injury.)
 - ➔ Please contact your service center for repairing.
- **Do not insert any objects into the vent or the gap.**
(It may cause electric shock or malfunction.)
 - Especially metal objects such as pins or wires.
- **Do not replace any parts of appliance with non-genuine spare parts.**
(It may cause injury, electric shock or fire.)
- **Do not try to remove the Lid when the appliance is still operating.**
(It may cause injury.)
- **Do not use hot water (over 60 °C) for cleaning purpose or fire to dry the appliance.**
(It may cause burning or malfunction.)

WARNING

-  ● **Do not place hot ingredients (over 60 °C) into the Bowl or the Blender Jug.**
(It may cause injury or malfunction.)
- **Do not operate without the Blender Lid in place correctly for the Blender Jug.**
(It may cause injury.)
- **Do not put your finger or utensils such as spoon, fork etc. into the Bowl or the Blender Jug during operation.**
(It may cause injury, electric shock, or fire caused by short circuit.)
- **Do not push the Safety Pin and Safety Lever with any instruments, stick etc. as the appliance might be on.**
(It may cause injury.)

-  ● **This appliance shall not be used by children.**
Keep the appliance and its cord out of reach of children. Appliances can be used by persons with reduced physical, sensory or mental capabilities or lack of experience and knowledge if they have been given supervision or instruction concerning use of the appliance in a safe way and if they understand the hazards involved.
Children shall not play with the appliance.
(It may cause burning, injury or electric shock.)
- **Insert the Plug firmly.**
(Otherwise it may cause electric shock and fire caused by the heat that may generate around the Plug.)
- **Clean the Plug regularly.**
(A soiled Plug may cause insufficient insulation due to moisture, and may cause fire.)
- **When abnormal operation or breaking down occurs, discontinue the appliance operation immediately and unplug.**
(It may cause smoke, fire or electric shock.)
e.g. during abnormal operation or breaking down.
 - The Plug and the Cord becomes abnormally hot.
 - The Cord is damaged or there has been a power failure.
 - The Motor Housing is deformed or abnormally hot.
 - ➔ Please unplug the appliance immediately and contact the service centre for advice or a repair.
- **Make sure to hold the Plug when unplugging the Plug, i.e. never pull on the Cord.**
(Otherwise it may cause electric shock, or fire caused by short circuit.)
- **Be careful if hot liquid is poured into the Bowl or Blender Jug as it can be ejected out of the appliance due to a sudden steaming.**
(It may cause burning.)

CAUTION

- **Do not leave the appliance unattended when it is in operation.**
(It may cause fire or burns.)
 - When leaving the appliance unattended, turn the power off.
- **Do not use the appliance in the following places:**
 - Any uneven surface, on non-heat resistant carpet or table cloth etc.
(It may cause fire or injury.)
 - In a location where there is risk of the appliance being splashed with water, or near a heat source.
(It may cause electric shock or current leakage.)
- **Do not process more than the maximum capacity marked on each container respectively. Follow the recommended ingredient amount for processing.**
(It may cause injury.)
- **Do not continue operation for a long time. It is recommended to rest the appliance after a certain operating time.**
(It may cause burns.)

Function	Operating Time (minutes)	Rest Time (minutes)
Food Processor	2	4
Blender	2	2
Dry Mill	1	2

* With exception for the stated "Ingredient Preparations" in this Operating Instruction.

- **Always disconnect the appliance from the supply if it is left unattended and before assembling, disassembling or cleaning.**
(Otherwise it may cause electric shock, or fire caused by current leakage.)
- **Remove the Bowl, the Blender Jug and the Mill Container before lift up the Motor Housing from the table.**
(It may cause injury.)
- **Switch off the appliance and disconnect it from power supply before changing accessories or approaching parts that are moving during operation.**
(It may cause injury.)
- **When carrying the appliance, be sure to hold the Motor Housing with both hands. Do not carry it by holding only the Bowl or Blender Jug or Mill Container.**
(It may cause injury.)
- **If the Blender Cutting Blade gets stuck, switch off the Blender, then unplug. Do not insert your finger into the Blender Jug. Use a rubber spatula to remove the ingredients that are blocking the Blender Cutting Blade.**
(It may cause injury.)
- **Care should be taken when handling the sharp cutting blades, emptying the Bowl or Blender Jug and cleaning. (e.g. Knife Blade, Slicing Blades and etc.)**
(It may cause injury.)

IMPORTANT INFORMATION

- **Do not place the appliance in the following places.**
 - In a location where the appliance being expose to excessive moisture, temperature or direct sunlight.
(It may cause malfunction.)
 - Any high or low temperature location such as fridge, freezer, microwave or oven.
(It may cause malfunction or breakage.)
- **Do not process hard ingredients (e.g. hard meat, meat with bones) or viscous material.**
(It may cause malfunction.)

Prohibited Ingredients:

Attachments	Description
Knife Blade	Hard ingredients, viscous ingredients, e.g. coffee beans, dried soyabeans, frozen food, dried squid, and etc.
Slicing Blades, Shredding Blades and Julienne Blade	Ingredients with high hard fiber concentrations, viscous ingredients, ingredients that are too soft, e.g. hard vegetables, frozen food, ham, turmeric, ginger, lettuce, tomato, peach, chocolate and etc.
Kneading Blade	Ingredients not suited for dough making, e.g. meat, vegetables, nuts, sauces, spreads.
Whipping Blade	Any other ingredients aside from egg whites and fresh cream.
Grating Blade	Viscous ingredients, ingredients with high hard fiber concentrations, ingredients that are too small and thin, e.g. yam, celery, leek, pine nuts, and etc.
Salad Drainer	Large chunky ingredients, ingredients that are soft and fragile, e.g. large carrot or potato chunks, tomato, tofu, pasta, noodle, and etc.
Citrus Press	Any other ingredients aside from citrus fruits, e.g. apple, kiwi and etc.
Blender	Hard ingredients, highly sticky ingredients, ingredients with low water content, e.g. turmeric, dried soyabeans, frozen food, meat, fish, boiled potatoes, or just ice cubes.
Dry Mill	Hard nuts, dried fruit, ingredients with high hard fiber concentration, moist ingredients, liquids, e.g. various nuts, raisins, meat, vegetables, boiled egg, turmeric, and etc.



Before Use:

Always operate the appliance on a clean, dry, flat, hard and smooth surface, and clean the Rubber Foot (P.GB8) before use to ensure that the Rubber Foot suction is at optimum performance.

Electrical Requirement (For UK market only)

FOR YOUR SAFETY PLEASE READ THE FOLLOWING TEXT CAREFULLY.

This appliance is supplied with a moulded three pin mains plug for your safety and convenience. A 13-amp fuse is fitted in this plug. Should the fuse need to be replaced please ensure that the replacement fuse has a rating of 13-amp and that it is approved by ASTA or BSI to BS1362.

Check for the ASTA mark  or the BSI mark  on the body of the fuse. If the plug contains a removable fuse cover, you must ensure that it is refitted when the fuse is replaced. If you lose the fuse cover, the plug must not be used until a replacement cover is obtained.

A replacement fuse cover can be purchased from your local Panasonic Dealer.

If the fitted moulded plug is unsuitable for the socket outlet in your home, then the fuse should be removed and the plug cut off and disposed of safely.

There is a danger of severe electrical shock if the cut off plug is inserted into any 13-amp socket.

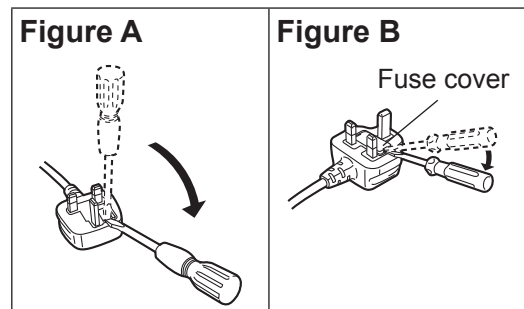
How to replace the fuse

The location of the fuse differs according to the type of AC mains plug (figures A and B).

Confirm the AC mains plug fitted and follow the instructions below.

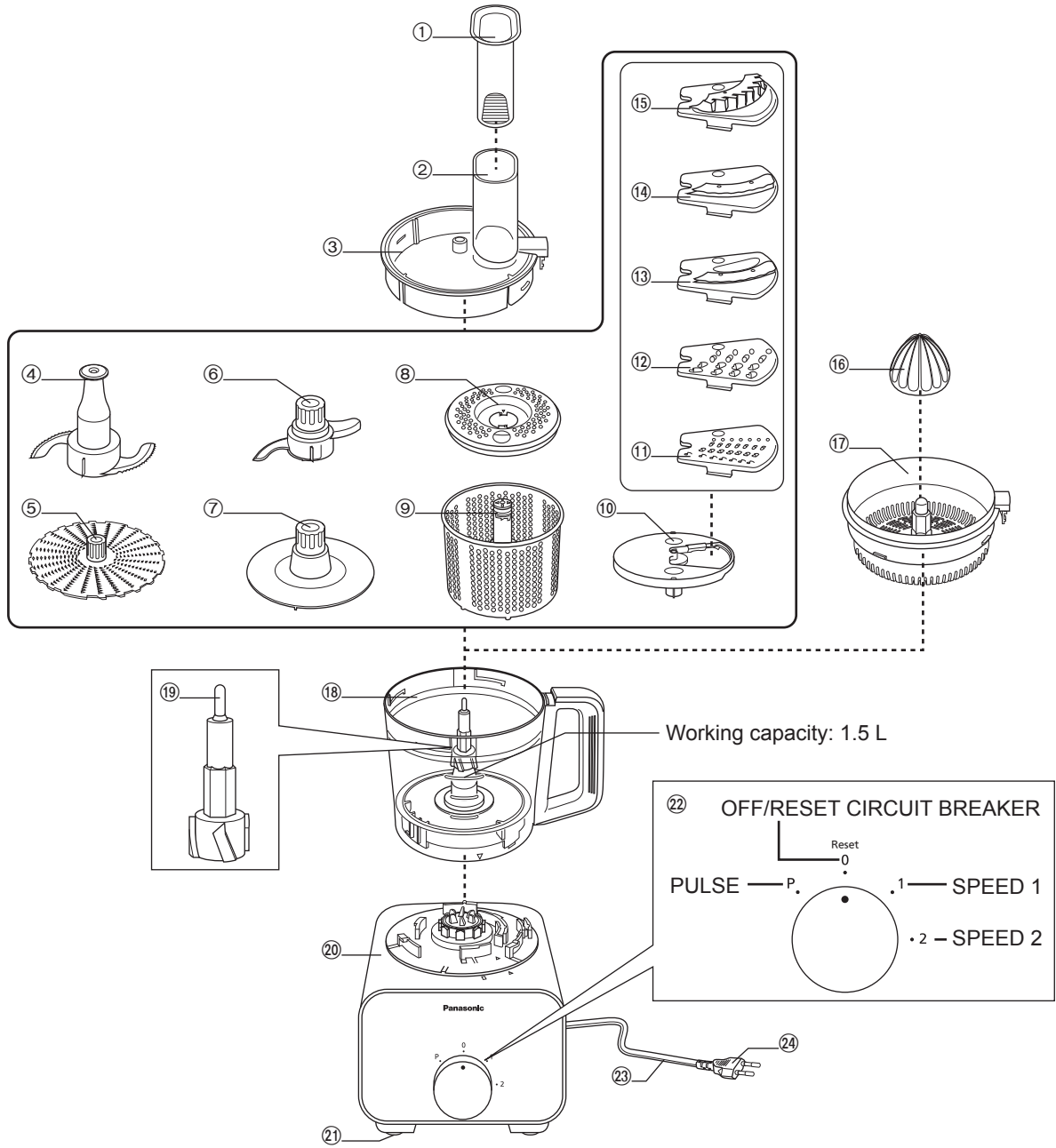
Illustrations may differ from actual AC mains plug.

Open the fuse cover with a screwdriver and replace the fuse and close or attach the fuse cover.



PART NAMES

Food Processor



- | | |
|----------------------------|-------------------------|
| 1. Food Pusher | 13. Thin Slicing Blade |
| 2. Feeding Tube | 14. Thick Slicing Blade |
| 3. Bowl Lid | 15. Julienne Blade |
| 4. Knife Blade | 16. Citrus Cone |
| 5. Grating Blade | 17. Citrus Strainer |
| 6. Kneading Blade | 18. Bowl |
| 7. Whipping Blade | 19. Drive Shaft |
| 8. Drainer Cover | 20. Motor Housing |
| 9. Salad Drainer | 21. Rubber Foot |
| 10. Blade Stand | 22. Rotary Switch |
| 11. Fine Shredding Blade | 23. Cord |
| 12. Coarse Shredding Blade | 24. *Plug |

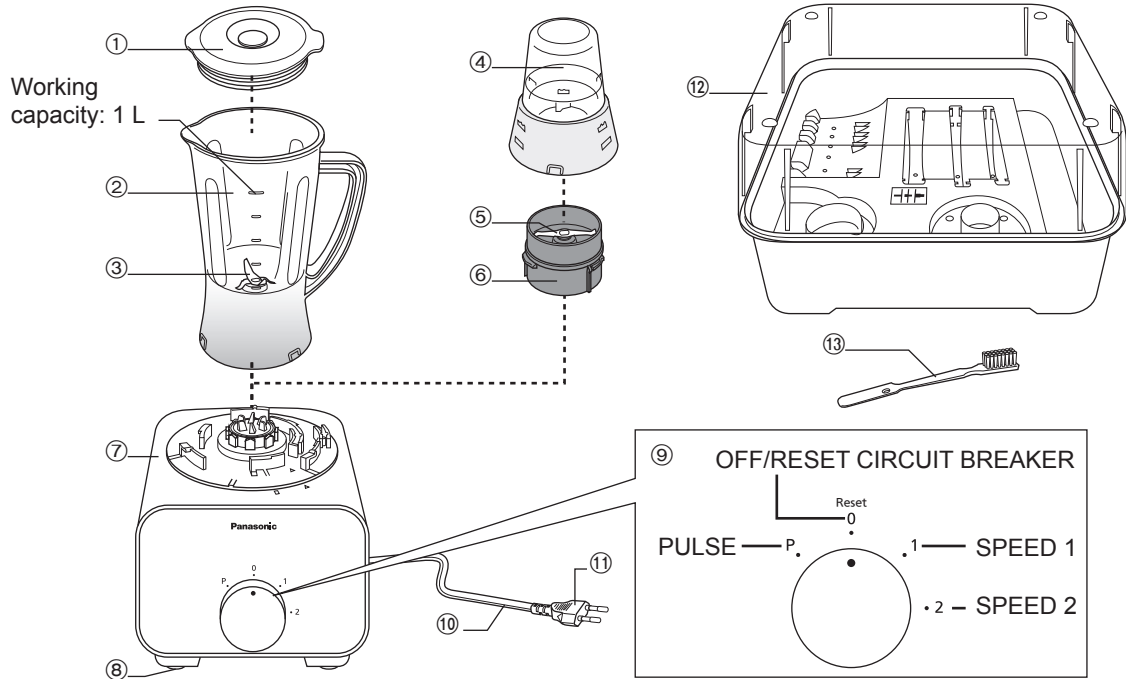
*The shape of the Plug may vary from illustration.

GB8

PART NAMES

Blender, Dry Mill & Accessories

English



- | | | |
|--------------------------|------------------------|-----------------------|
| 1. Blender Lid | 6. Mill Container Base | 11. *Plug |
| 2. Blender Jug | 7. Motor Housing | 12. Storage Case Unit |
| 3. Blender Cutting Blade | 8. Rubber Foot | 13. Brush |
| 4. Mill Container | 9. Rotary Switch | |
| 5. Mill Cutting Blade | 10. Cord | |

*The shape of the Plug may vary from illustration.

CIRCUIT BREAKER PROTECTION

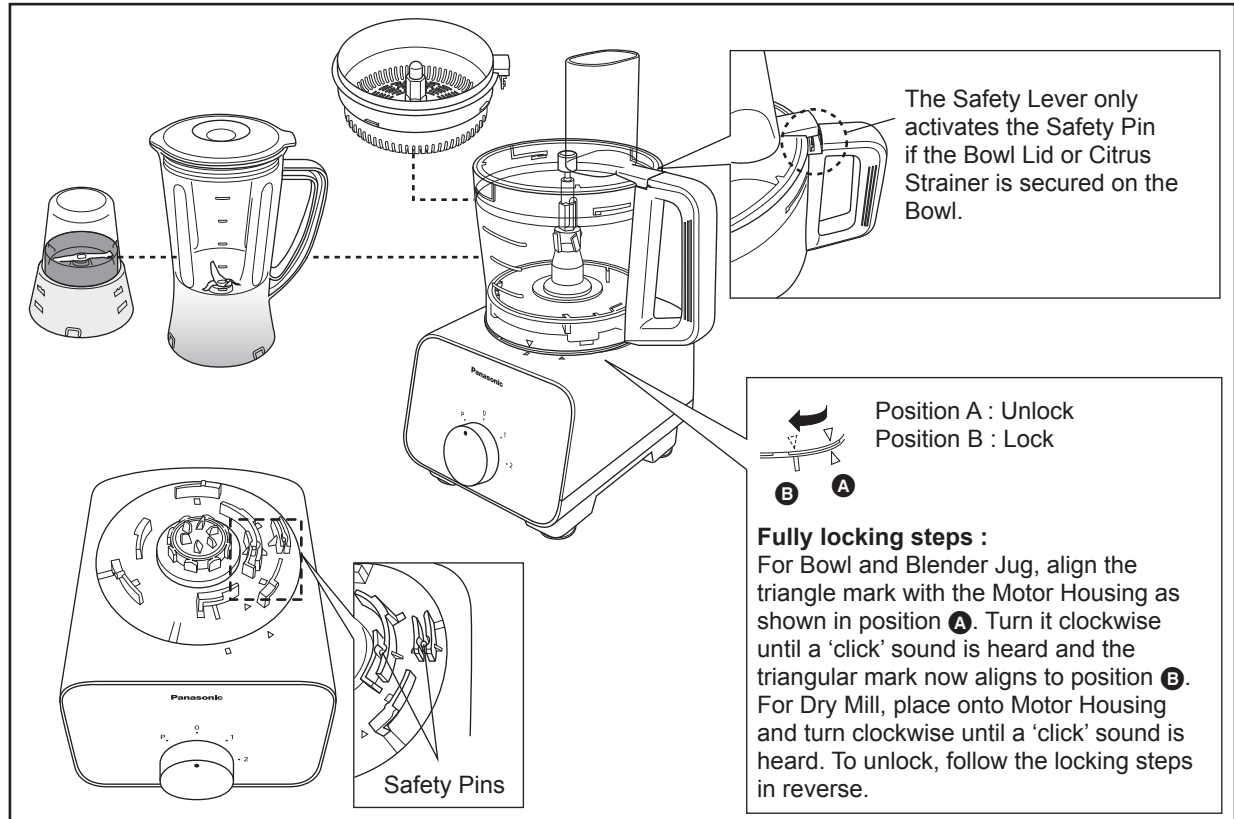
This appliance has the Circuit Breaker function to stop the motor when motor is overloaded. When the Circuit Breaker stops the motor due to overloading, turn off the Rotary Switch to OFF position "0" and follow the instruction below:

1. Reduce the ingredients to less than half and resume operation.
2. If it still does not start, turn off the Rotary Switch to OFF position "0" again and resume operation.
3. If all else fails, please contact your nearest service centre.

SAFETY LOCK

The Safety Pin is designed to prevent the appliance from switching on when

- The Bowl Lid or Citrus Strainer and the Bowl are not fully locked to each other.
- The Bowl, Blender Jug or Mill Container are not fully locked to the Motor Housing.



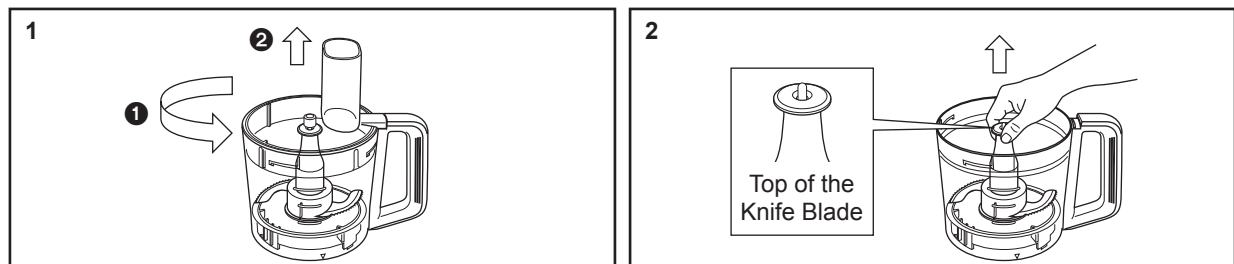
Note:

- Do not push the Safety Pin and Safety Lever with any instrument, stick etc.
- Do not pour liquids or ingredient at the Safety Pin and Safety Lever area.
- Keep the Safety Pin and Safety Lever area clean to avoid foreign particles accumulate on the area.

Actions above will ensure the Safety Pin and Safety Lever function properly. If not followed, it will damage the parts related to the Safety Pin and Safety Lever.

DISASSEMBLY

Disassembly from Packaged Condition



Rotate the Bowl Lid anticlockwise and lift up from the Bowl.

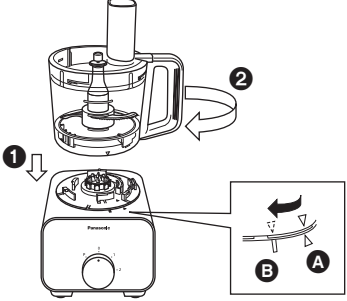
Hold the top of the Knife Blade and lift up to remove from Bowl.

Note:

Beware of the sharp edges of the Knife Blade when removing it from the Bowl.

FOOD PROCESSOR -INTRODUCTION-

It is highly recommended to clean all attachments and accessories and dry well before using the appliance for the first time, refer to page GB20 - GB21 for the cleaning method. Unplug when assembling the unit. Before plugging in, ensure that the Rotary Switch is in the OFF position "0". Please refer to page GB21 under 'Storing' on how to re-position the Motor Housing.




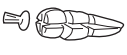











1. Place the Bowl on top of the Motor Housing until the mark aligns as shown in **A**.
2. Turn the Bowl clockwise until a 'click' sound is heard. Ensure that the triangle mark on the Bowl is aligned with the rectangle mark on the Motor Housing as seen in **B**.

To disassemble, follow the assembly steps in reverse.




FOOD PROCESSOR - KNIFE BLADE • KNEADING BLADE • WHIPPING BLADE • GRATING BLADE-

Ingredient Preparations for Knife Blade

Function	Ingredient	Speed	Quantity	Operating Time (approx.)	Preparation Method
Mince	Meat	2	50 ~ 400 g	5 ~ 50 sec	 Remove all skin, bones, and tendons, cut into 2 ~ 3 cm cubes.
	Fish		50 ~ 500 g	3 ~ 20 sec	
Chop	Onion	1 (Intermittent)	150 ~ 500 g	4 ~ 15 times	 Peel skin, cut into 2 ~ 3 cm cubes.
	Garlic	2	5 ~ 500 g	10 ~ 30 sec	 Peel skin.
	Carrot		50 ~ 450 g	10 ~ 30 sec	 Peel skin, cut into 2 ~ 3 cm cubes.
	Italian Parsley		5 ~ 70 g	10 ~ 40 sec	 Remove stalk.
	Mushroom		30 ~ 250 g	3 ~ 15 sec	 Cut into 2 ~ 3 cm cubes.
Crush	Parmesan Cheese	2	10 ~ 200 g	10 ~ 60 sec	 Cut into 2 ~ 3 cm cubes.
Mash	Boiled Potato	PULSE	100 ~ 400 g	3 ~ 15 times	 Cut into 2 ~ 3 cm cubes. Do not over process.
Frozen	Frozen Banana	2	250 ~ 450 g	30 ~ 180 sec	 1 ~ 2 cm width, half frozen condition, i.e. toothpick can pierce.
Ice Crush	Ice Cubes	2	~ 10 pcs	~ 20 sec	 2 ~ 3 cm ice cubes.
Grind	Peanuts	2	10 ~ 200 g	15 ~ 30 sec	 Remove peanut shell and skin.
Paste	Roasted Peanuts	2	100 ~ 400 g	5 ~ 10 min	 Remove peanut shell and skin.
Crumb	Soft White Bread	2	10 ~ 200 g	15 ~ 60 sec	 Slice soft bread into 6 to 8 pieces.

FOOD PROCESSOR - KNIFE BLADE • KNEADING BLADE • WHIPPING BLADE • GRATING BLADE-



Ingredient Preparations for Knife Blade

Function	Ingredient	Speed	Max Single Use	Operating Time (approx.)	Preparation Method
Knead (for confectionary)	Flour	2	~ 300 g	~ 120 sec	 Use for making confectionary such as sweets and cakes.
Juice Make	Fruit, Liquid etc.	2	~ 1,500 mL	~ 120 sec	 Cut into 2 ~ 3 cm cubes. Process solids first. Fill liquid till total not exceeding 1,500 mL. Do not add more than 10 pcs of ice cubes during processing.
Soup Make	Boiled Vegetable, Liquid etc.	2	~ 1,500 mL	~ 120 sec	 Cut into 2 ~ 3 cm cubes. Process solids first. Fill liquid till total not exceeding 1,500 mL.




Ingredient Preparations for Kneading Blade

Function	Ingredient	Speed	Max Single Use	Operating Time (approx.)	Preparation Method
Knead (for bread)	Bread Flour	2	300 g	~ 120 sec	Mix yeast with water and add during the processing of dough (adding yeast directly before processing may result in flaking and premature rising). If dough mix still appears flaky after initial processing, add 1 tsp of water into the mix. When large vibrations occur due to dough mix wrapping around the Drive Shaft, add 1 tbsp of flour. Do not reprocess the dough after the process is complete, if the dough is not satisfactory, knead by hand.
	Liquid		160 ~ 200 mL		

Ingredient Preparations for Whipping Blade

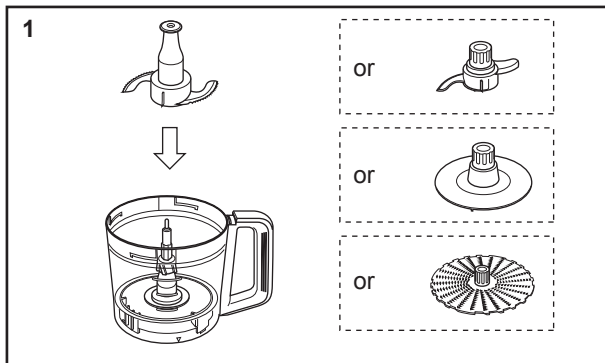
Function	Ingredient	Speed	Max Single Use	Operating Time (approx.)	Preparation Method
Whip	Egg White	2	2 ~ 6 pcs	50 sec ~ 90 sec	 Separate the egg white from the yolk for a smooth meringue.
	Cream		100 ~ 300 mL	15 sec ~ 2 min	 Use fresh cream of fat content 35% or higher at 5 °C.

Ingredient Preparations for Grating Blade

Function	Ingredient	Speed	Max Single Use	Operating Time (approx.)	Preparation Method
Grate	Carrot	2	200 g	-	   Cut into 2 ~ 3 cm cubes.
	Apple		200 g		
	Cucumber		200 g		

FOOD PROCESSOR - KNIFE BLADE • KNEADING BLADE • WHIPPING BLADE • GRATING BLADE-

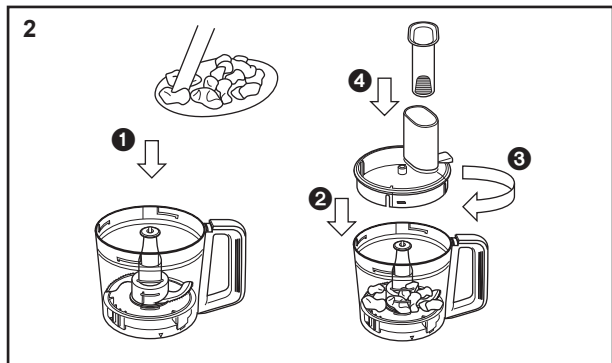
How to Use : Knife Blade • Kneading Blade • Whipping Blade • Grating Blade



Place the Knife Blade (Kneading Blade or Whipping Blade or Grating Blade) into the Bowl.

Note:

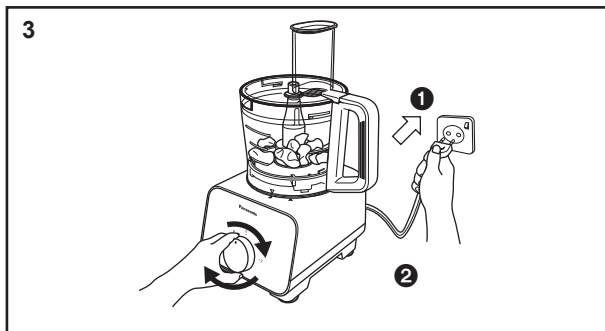
For the Knife Blade, ensure that the Drive Shaft is protruding from the Knife Blade after insertion.



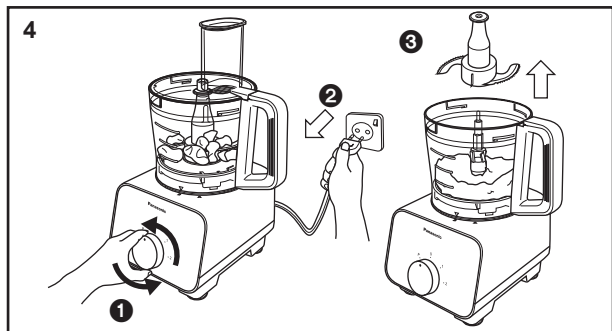
Put the ingredients into the Bowl. Place the Bowl Lid on top of the Bowl and turn it clockwise until a 'click' sound is heard. Insert the Food Pusher into the Feeding Tube. Attach the Bowl assembly onto the Motor Housing as seen in page GB11.

Note:

For the Grating Blade, place the ingredients on top of the blade and spread them out evenly.



Plug-in the plug into the socket and turn the Rotary Switch to select the speed required (refer to "Preparation of Ingredients" at page GB11-GB12).



After the processing is completed, return the Rotary Switch to OFF position "0" and unplug from the socket. Remove the Knife Blade from the Bowl before removing the processed ingredients.

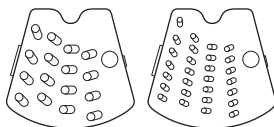
Note:

- Always ensure that the Knife Blade is inserted before adding ingredients into the Bowl.
- Do not exceed the stated amount of ingredients for kneading as abnormal vibration may occur.
- Do not insert hot ingredients into the Bowl for processing. Always ensure that the ingredients are sufficiently cooled before inserting, i.e. boiled potato.
- For Juice Make, fill in the solid ingredients first into the Bowl, followed by the liquid ingredients until the total volume does not exceed 1,500 mL.
- When process the liquid ingredients together with ice cubes, put the ice cubes not more than 10 pcs (approx. 170 g).
- Do not exceed the stated amount of ingredients for the Kneading Blade as abnormal vibration may occur.
- Do not over process the whipping cream, it may break down to form clumps of butter.
- Using different brands of whipping cream will have varying results. It is recommended to process until the cream is sufficiently whipped.
- Depending on the speed and amount of ingredients used, there will be significant vibrations present. In that case, hold down the Bowl Lid with both hands to support it during its operation.
- For kneading, do not reprocess after the dough has formed the first time.
- High amounts of butter and sugar in the dough may cause abnormal vibration when using the Kneading Blade.
- Using flour other than bread flour on the Kneading Blade may cause abnormal vibration. Before processing, remove 1 ~ 2 tbsp of water from the total amount stated and add the water little by little during processing if necessary.

FOOD PROCESSOR -SLICING BLADES • SHREDDING BLADES • JULIENNE BLADE-



Slicing Blades (Thick / Thin)
- used for slicing ingredients

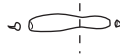






Shredding Blades (Coarse / Fine)
- used for shredding and grating ingredients.

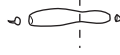




Julienne Blade
- used for making french fries and shredding ingredients.

Ingredient Preparations for Slicing Blades (Thick / Thin)



Function	Ingredient	Speed	Max Single Use	Operating Time (approx.)	Preparation Method
Slice	Cucumber	2	700 g	-	    
	Onion		700 g		
	Carrot		600 g		
	Potato		600 g		
	Cabbage		400 g		

Ingredient Preparations for Shredding Blades (Coarse / Fine)

Function	Ingredient	Speed	Max Single Use	Operating Time (approx.)	Preparation Method
Shred	Cucumber	2	500 g	-	  
	Carrot		500 g		
	Potato		650 g		
	Cheese		500 g		

Cut ingredient till it is small enough to fit into the Feeding Tube. Do not use hard ingredients such as Parmesan.

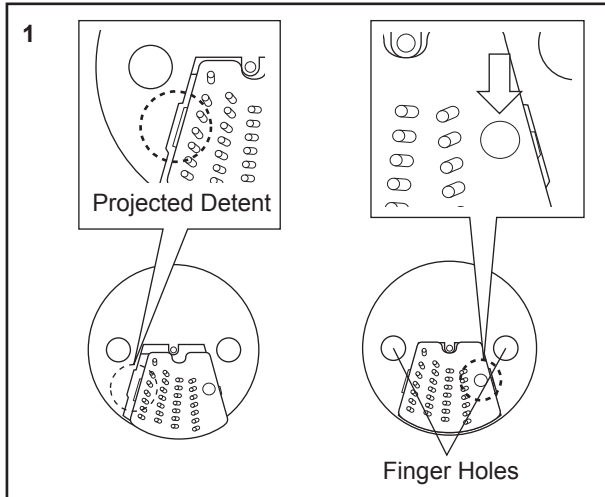
Ingredient Preparations for Julienne Blade

Function	Ingredient	Speed	Max Single Use	Operating Time (approx.)	Preparation Method
French Fry	Potato	2	800 g	-	 
Shred	Cabbage		500 g		

Cut ingredient till it is small enough to fit into the Feeding Tube.

FOOD PROCESSOR -SLICING BLADES • SHREDDING BLADES • JULIENNE BLADE-

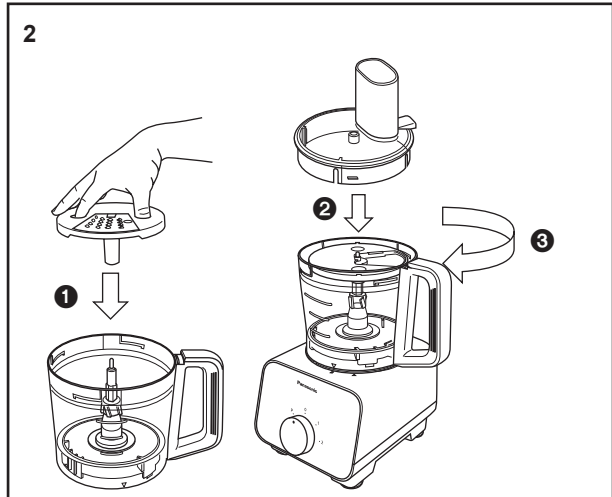
How to Use: Slicing Blades (Thick / Thin), Shredding Blades (Coarse / Fine), Julienne Blade



Fit the projected detent of the desired blade onto the Blade Stand and ensure it is seated properly. Push down on the dimple on the blade as seen above until a 'snap' sound is heard.

Note:

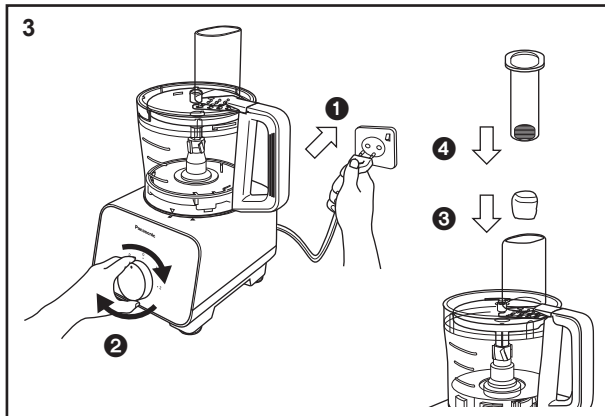
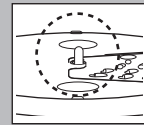
- Beware of the sharp edges on the blades while inserting into the Blade Stand.
- To remove the blade, turn over the Blade Stand and push down on the reverse side of the dimple on the blade.



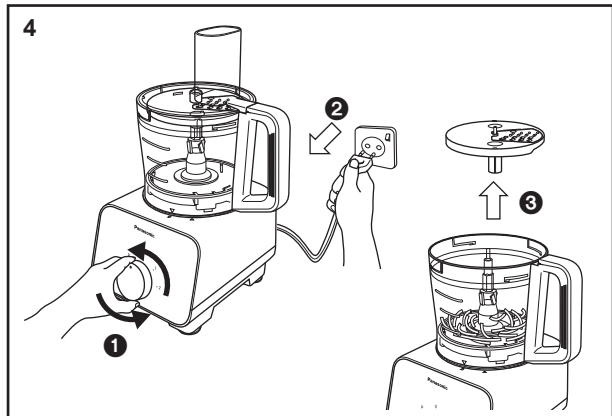
Insert finger and thumb into the finger holes to grip the Blade Stand. Place the assembled Blade Stand into the Bowl. Attach the Bowl to the Motor Housing as seen in page GB10, then place the Blade Stand into the Bowl. Place the Bowl Lid on top of the Bowl and turn it clockwise until a 'click' sound is heard.

Note:

Ensure that the Drive Shaft is protruding from the Blade Stand after insertion.



Plug-in the plug into the socket and turn the Rotary Switch to select the speed required (refer to the "Preparation of Ingredients" at page GB14). Insert the ingredients into the Feeding Tube and push down with the Food Pusher.



After the processing is completed, return the Rotary Switch to OFF position "0" and unplug from the socket. Remove the Blade Stand from the Bowl before removing the processed ingredients.

Note:

- When using long and narrow ingredients, place it against the front wall of the feeding tube as indicated in Figure 1, for support while in operation to avoid uneven processing.
- Dispose of any remaining lumps of unprocessed ingredients.
- Align high fibre ingredients as indicated in Figure 2 for a consistent processing result.



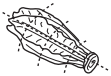

Figure 1



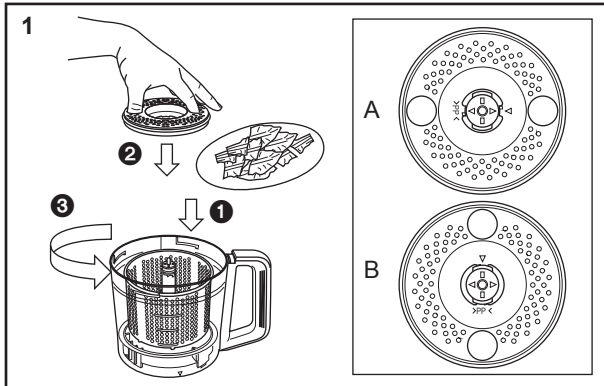
Figure 2

FOOD PROCESSOR -SALAD DRAINER-

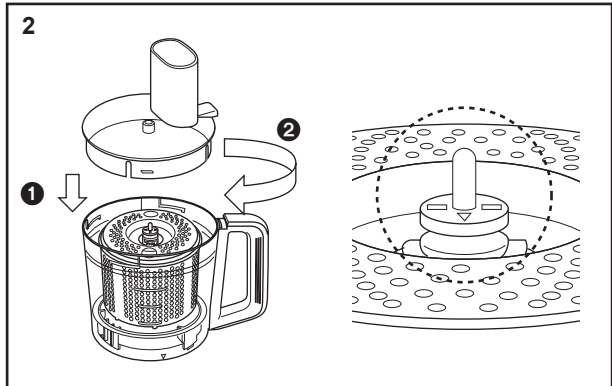
Ingredient Preparations for Salad Drainer

Function	Ingredient	Speed	Max Single Use	Operating Time (approx.)	Preparation Method
Drainer	Lettuce Leaves	1	100 g	20 ~ 40 sec	 Cut into 3 ~ 5 cm slices.
	Cabbage		200 g	20 ~ 50 sec	 Shredded into 1 ~ 3 mm.

How to Use: Salad Drainer



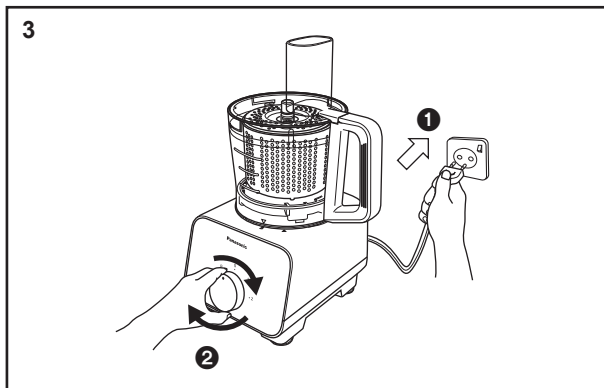
After inserting the Salad Drainer into the Bowl, insert the ingredients into the Salad Drainer. Place the Drainer Cover on top of the Salad Drainer until the mark aligns as shown in A. Turn the Drainer Cover anticlockwise until the mark aligns as shown in B.



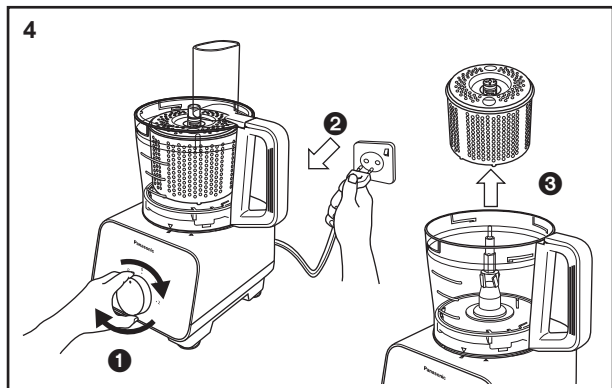
Place the Bowl Lid on top of the Bowl and turn it clockwise until a 'click' sound is heard. Attach the Bowl assembly onto the Motor Housing as seen in page GB11.

Note:

Ensure that the Drive Shaft is protruding from the Salad Drainer after insertion.



Plug-in the plug into the socket and turn the Rotary Switch to select the speed required.




After the processing is completed, return the Rotary Switch to OFF position "0" and unplug from the socket. Remove the Salad Drainer from the Bowl.

Note:

- Maximum working capacity of the Salad Drainer: 200 g or till maximum height of Salad Drainer, whichever comes first.
- Prohibited ingredients: refer to page GB6.
- Ensure that the ingredients are spread evenly around the Salad Drainer before processing.
- Always ensure that the Drainer Cover is attached onto the Salad Drainer before operation, otherwise the ingredients might come out and tear around the Bowl.
- Depending on the speed and amount of ingredients used, there will be significant vibrations present. In that case, hold down on the Bowl Lid to support it during its operation.

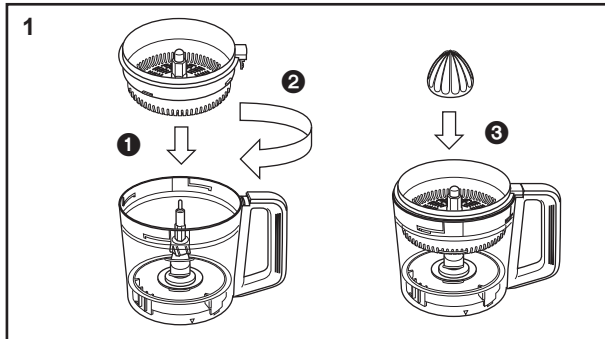
FOOD PROCESSOR -CITRUS PRESS-

Ingredient Preparations for Citrus Press

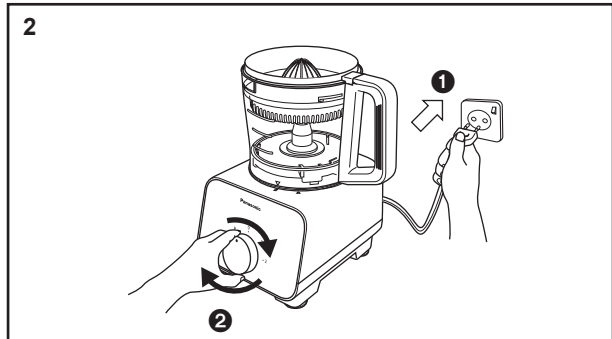
Function	Ingredient	Speed	Max Single Use	Operating Time (approx.)	Preparation Method
Squeeze	Citrus Fruit	1	1000 mL	-	 Cut fruit into halves.

English

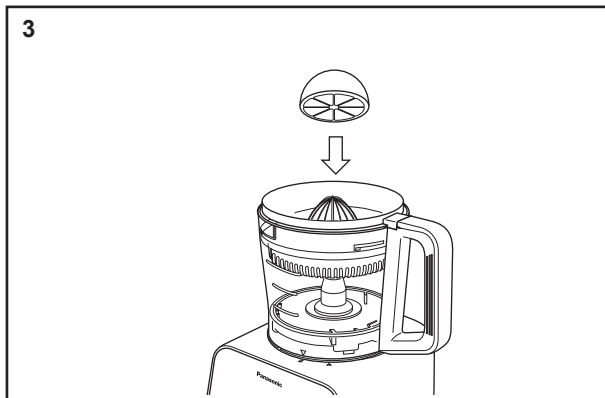
How to Use: Citrus Press



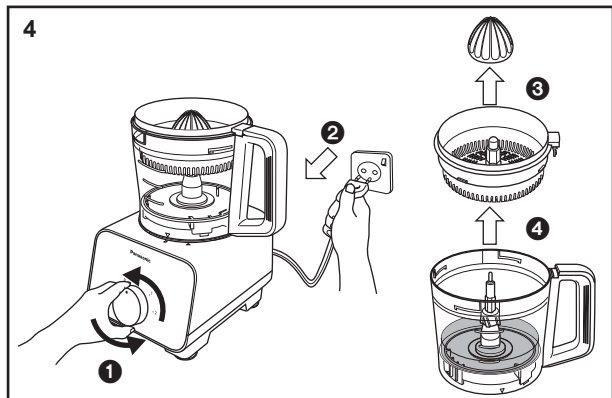
Place the Citrus Strainer onto the Bowl. Turn it clockwise until a 'click' sound is heard. Attach the Citrus Cone onto the Drive Shaft.



Attach the Bowl assembly onto the Motor Housing as seen in page GB11. Plug-in the plug into the socket and turn the Rotary Switch to select the speed required.



Place the half cut fruit with the cut side on top of the Citrus Cone and press down firmly to extract juice.



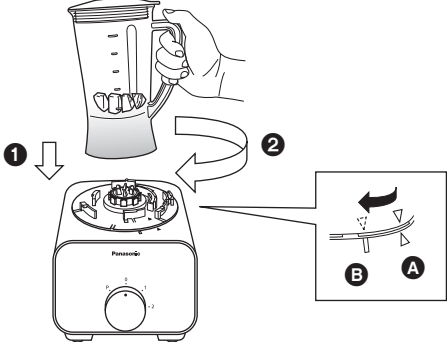
After the processing is completed, return the Rotary Switch to OFF position "0" and unplug from the socket. Remove the Citrus Press attachment from the Bowl before pouring the extracted juice out.

Note:

- Always ensure that the Citrus Cone is placed onto the Citrus Strainer before usage.
- Stop the processing periodically to remove the pulp remaining on the Citrus Strainer to ease the juice extraction process.
- It is not recommended to operate the Citrus Press at speed 2.
- Avoid touching the Citrus Cone while it is turning.

BLENDER


Introduction



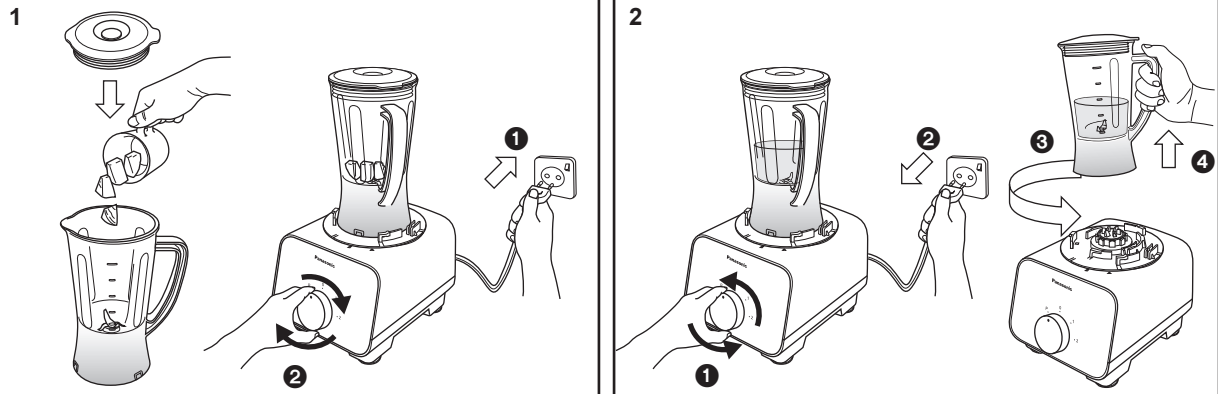
1. Place the Blender Jug on top of the Motor Housing. Ensure that the triangle mark on the Blender Jug is aligned with the triangle mark on the Motor Housing as seen in Position **A**.
2. Turn the Blender Jug clockwise until a 'click' sound is heard. Ensure that the triangle mark on the Blender Jug is aligned with the rectangle mark on the Motor Housing as seen in **B**.

To disassemble, follow the assembly steps in reverse.

Ingredient Preparations for Blender

Function	Ingredient	Speed	Max Single Use	Operating Time (approx.)	Preparation Method
Liquidize	Fruit, Vegetable	2	1,000 mL	~ 2 min	 Cut into 1 cm cubes.

How to Use : Blender



Insert ingredients into the Blender Jug and close with the Blender Lid. Attach the Blender Unit onto the Motor Housing as seen above. Plug-in the plug into the socket and turn the Rotary Switch to select the speed required.

After the processing is completed, return the Rotary Switch to OFF position "0" and unplug from the socket. Remove the Blender Unit from the Motor Housing and proceed to remove the ingredients.

Note:

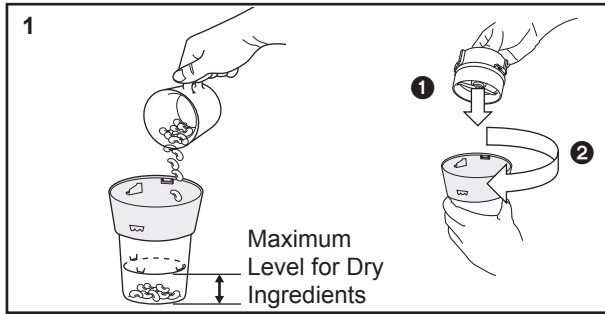
- Maximum working capacity: 1 L.
- Prohibited ingredients for Blender Jug: refer to page GB6.
- It is not recommended to blend hard and viscous ingredients. However, if necessary, cut the hard ingredients into small pieces (e.g. cut carrot into 1 cm³ cubes) and fill the Blender Jug with the ingredients not exceeding half its rated capacity.
- Do not fill exceeding the maximum level and reduce ingredients when appliance makes abnormal sound or vibration during operation.
- Add in soft ingredients (fruits, vegetables) into the Blender Jug before adding in other ingredients.
- If the Cutting Blade gets stuck, switch off immediately and unplug. Do not attempt to proceed to unstuck the ingredients with your fingers, use an object like a rubber spatula instead.
- During blending, there is a possibility that the ingredients will splash out of the Blender Lid hole. In the event that it splashes out, wipe it off with a dry cloth.
- Do not operate exceeding the rated operation duration (2 min ON, 2 min OFF).

DRY MILL

Ingredient Preparations for Dry Mill

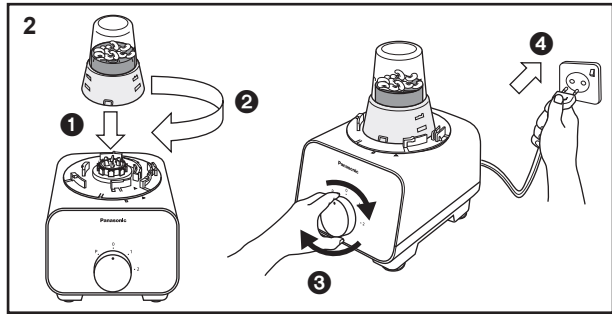
Function	Ingredient	Speed	Max Single Use	Operating Time (approx.)	Preparation Method
Grind	Coffee Bean	2	Till Max Level	~ 60 sec	-
	Pepper				

How to Use: Dry Mill

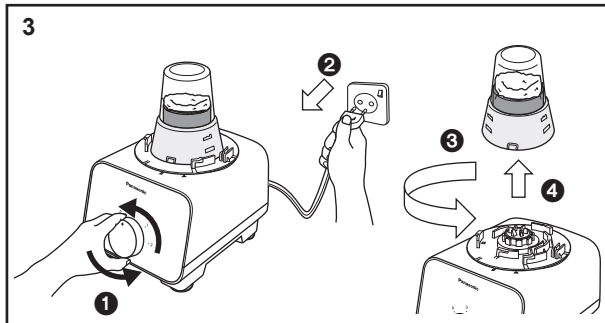


Turn the Mill Container upside down and fill in the ingredients without exceeding the maximum level indicated. Place the Mill Container Base into the Mill Container and turn it clockwise until a 'click' sound is heard.

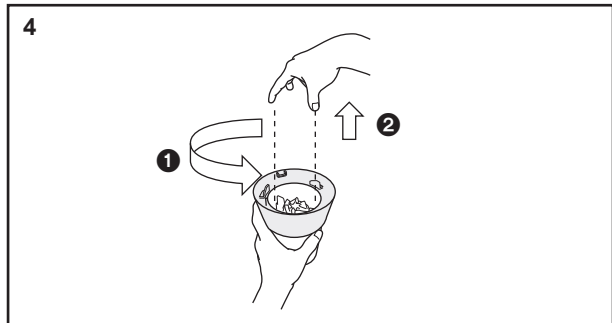
Make sure the ribs on outer surface of the Mill container base and inner surface of the Mill container are hooked firmly.



Attach the Dry Mill Unit onto the Motor Housing. Turn the Dry Mill Unit clockwise until a 'click' sound is heard. Plug-in the plug into the socket and turn the Rotary Switch to select the speed required.



After the processing is completed, return the Rotary Switch to OFF position "0" and unplug from the socket. Remove the Dry Mill Unit from the Motor Housing and proceed to remove the ingredients.



Turn the Mill Container Base anticlockwise to unlock and lift up from the Mill Container.

Note:

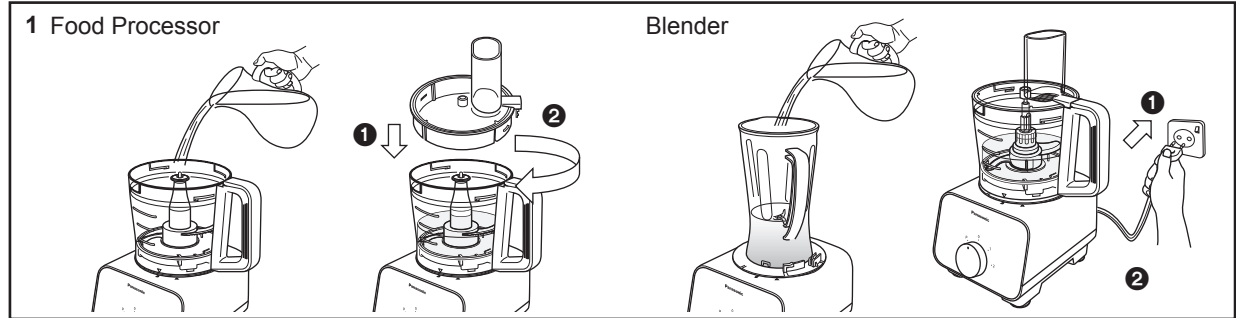
- While removing the ingredients, be careful of the Cutting Blade.
- Do not operate exceeding the rated operation duration (1 min ON, 2 min OFF).
- Prohibited ingredients: refer to page GB6.
- Do not operate the unit with empty Dry Mill.
- Do not fill exceeding the maximum level and reduce ingredients when the appliance makes an abnormal sound or vibrates during operation.

AFTER USE

Cleaning

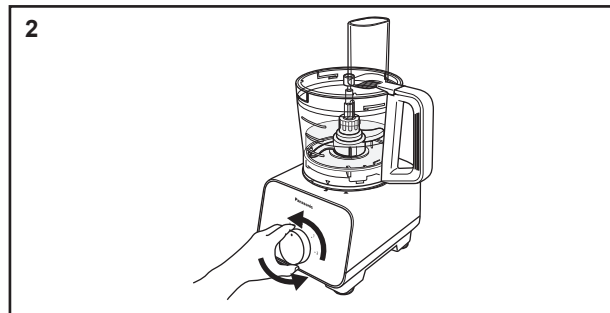
Pre-wash

The pre-wash enables easier cleaning. It can be used for the Knife Blade and Blender Unit. To pre-wash, simply follow the steps below.

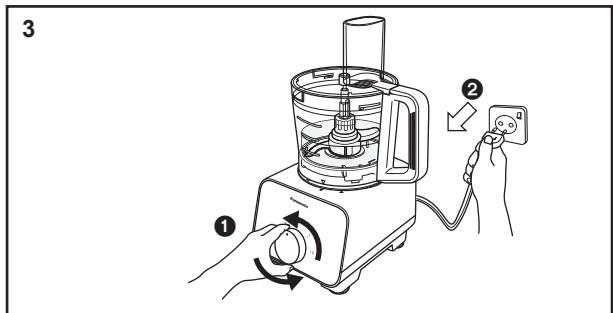


Put the used attachment inside the Bowl, fill the Bowl with water until the attachment is submerged in water (max. 500 mL). Place the Bowl Cover on top of the Bowl and turn it clockwise until a 'click' sound is heard.

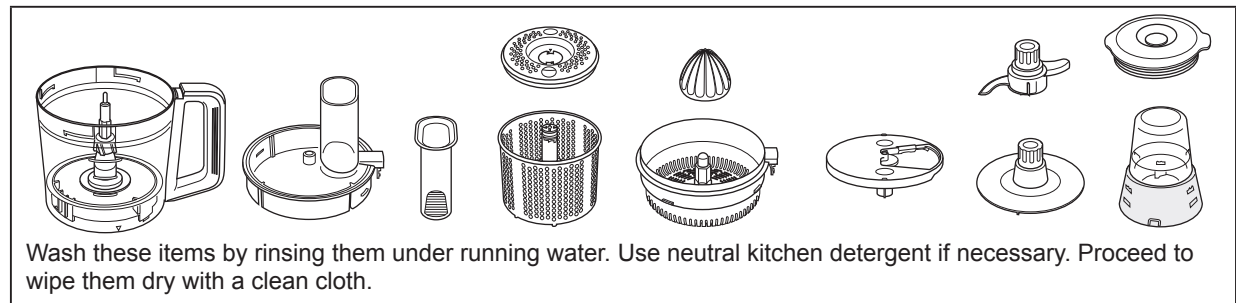
For the Blender Unit, fill 500mL of water into the Blender Jug and cover with the Blender Lid. Plug-in the plug into the socket.



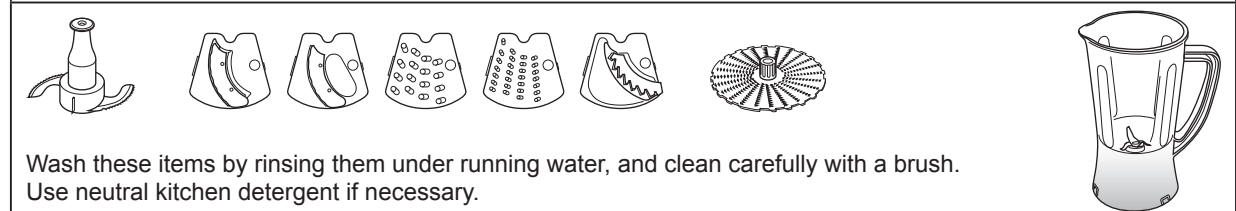
Food Processor: Turn the Rotary Switch to "PULSE" 5 ~ 10 times.
Blender: Turn the Rotary Switch to select speed 2 and operate for 10 ~ 20 seconds.



Return the Rotary Switch to OFF position "0" and unplug from the socket. Remove the attachments and proceed for cleaning.



Wash these items by rinsing them under running water. Use neutral kitchen detergent if necessary. Proceed to wipe them dry with a clean cloth.



Wash these items by rinsing them under running water, and clean carefully with a brush. Use neutral kitchen detergent if necessary.

Note:

- These items are extremely sharp and should be handled with extra care while cleaning. Avoid hitting these items on hard objects during the cleaning process.
- The Mill Container Base must not be washed, use Brush to clean.

AFTER USE

Motor Housing / Rubber Foot

Wipe off any dirt or stains with a clean damp cloth.

Note:

- Ensure that the power cord is unplugged before cleaning the Motor Housing.
- Do not wash the Motor Housing under running water.
- Never use corrosive liquids (e.g. alcohol, thinner, etc) to clean the Motor Housing.

Cleaning with a Dishwasher

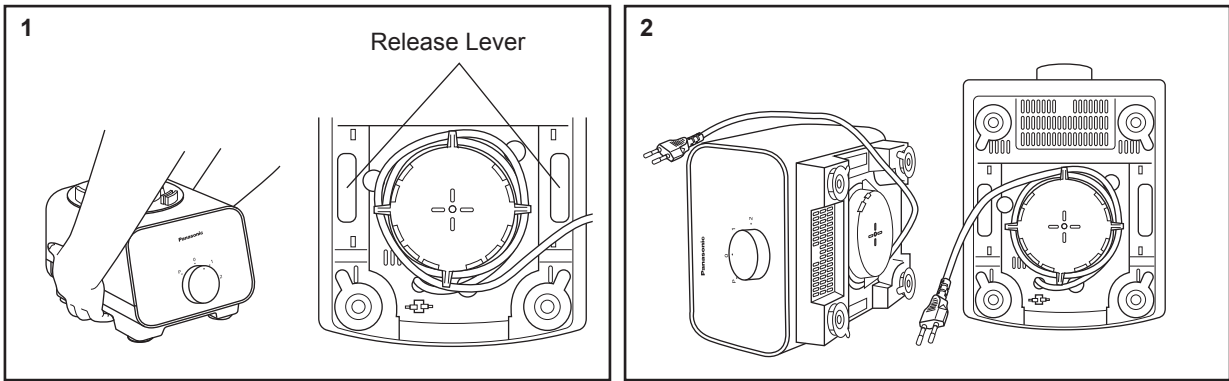
The Bowl and Bowl Lid of this appliance are dishwasher safe.

Note:

- Do not place these items near the dishwasher heater area as high temperatures may damage the parts.

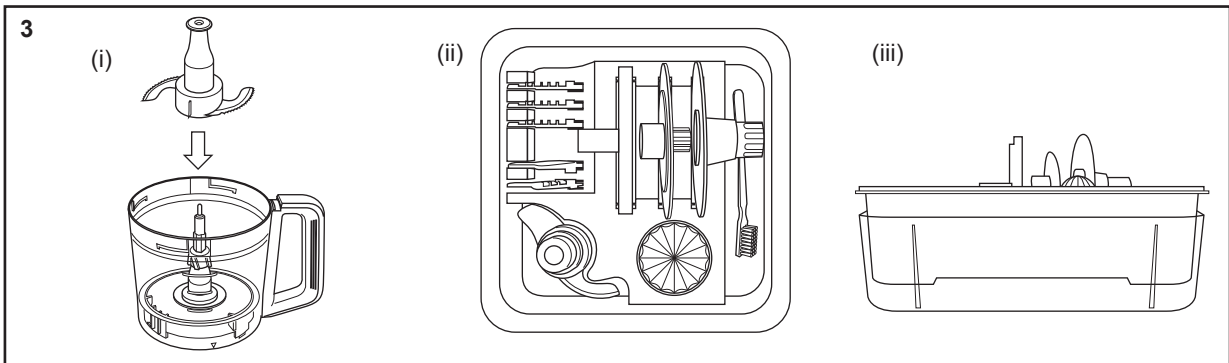
Storing

Ensure all attachments and the Bowl are removed from the Motor Housing prior to storage.



To release the Rubber Foot suction of the Motor Housing, press on the release lever located at the bottom side of the Motor Housing at the same time as seen in the above picture and lift up.

Tilt the Motor Housing on its side, and proceed to wind up the Power Cord around the Cord Winding Area partially, leaving the Plug at the sides.



(i) Store the Knife Blade inside the Bowl. The Storage Case Unit is included to store the other attachments. Store the attachments in place as per packaging condition.

(ii) List of attachments in Storage Case Unit: Kneading Blade, Citrus Cone, Thick Slicing Blade, Thin Slicing Blade, Fine Shredding Blade, Coarse Shredding Blade, Julienne Blade, Blade Stand, Grating Blade, Whipping Blade and Brush.

(iii) Place the Storage Case Lid beneath the Storage Case to collect the drained water from the washed attachments

Note:

- Dispose of the flexible plastic cover after opening the Storage Case.

TROUBLESHOOTING

Please check the following points before arranging for service.

Problem	Cause and Action
<p>The appliance does not turn on.</p>	<ul style="list-style-type: none"> ● The plug is loose in the outlet. <ul style="list-style-type: none"> ➔ Plug in firmly into the outlet.
<p>The appliance does not operate even when the Rotary Switch is activated.</p>	<ul style="list-style-type: none"> ● The Bowl, Blender Unit or Dry Mill Unit is not properly locked onto the Motor Housing. <ul style="list-style-type: none"> ➔ Ensure that the triangle mark on the attachments are aligned with the rectangular mark on the Motor Housing as seen in page GB10. ● The Bowl Lid or Citrus Strainer is not fully locked onto the Bowl. <ul style="list-style-type: none"> ➔ Fully secure the Bowl Lid or Citrus Strainer onto the Bowl. ● The ingredients are jammed. <ul style="list-style-type: none"> ➔ Remove the ingredients carefully and ensure that the amount used is as stated.
<p>The appliance suddenly stops during operation.</p>	<ul style="list-style-type: none"> ● The circuit breaker protection is activated. (Refer to page GB9) <ul style="list-style-type: none"> • Too much ingredients were inserted. <ul style="list-style-type: none"> ➔ Remove the excess ingredients and ensure that the amount used is as stated. • Large chunks or hard ingredients were used. <ul style="list-style-type: none"> ➔ Ensure that the ingredients are cut into the stated sizes. Do not use hard ingredients such as frozen foods or highly dense solids. ● The safety lock was triggered. (Refer to page GB10) <ul style="list-style-type: none"> • Abnormal vibration during operation may offset the safety lock engagement. <ul style="list-style-type: none"> ➔ Ensure that the ingredients used and the amount are as stated. ➔ Lock the Bowl Lid or Citrus Strainer onto the Bowl firmly, and ensure that the Bowl, Blender Unit, or Dry Mill Unit is locked firmly onto the Motor Housing.
<p>There is abnormal vibration and noise during operation.</p>	<ul style="list-style-type: none"> ● The Rubber Feet and/or the work top are not clean. <ul style="list-style-type: none"> ➔ Wipe off any dirt or stains with a clean damp cloth. The Rubber Foot is only effective when placed on a clean, smooth and flat surface. ● The ingredients used for processing is either too much or too hard. <ul style="list-style-type: none"> ➔ Ensure that the ingredients used are as stated, reduce the ingredients if it is over the stated amount.
<p>The texture and consistency of the processed ingredients did not turn out well.</p>	<ul style="list-style-type: none"> ● Some ingredients might be too difficult to process raw, e.g.pumpkin. <ul style="list-style-type: none"> ➔ Precook might be necessary to soften the ingredients before processing, i.e. until a fork can easily pierce. ● Ingredient size is not according to the preparation method. <ul style="list-style-type: none"> ➔ Prepare accordingly to follow the size stated. ● Processing certain ingredients at the same time may result in lumps remaining for Frozen function. ● The maximum ingredient amount and processing duration are meant to serve as a guideline, lesser ingredient amount and different ingredients will affect the performance. <ul style="list-style-type: none"> ➔ Process the ingredients with a suitable duration till the desired texture and consistency.

SPECIFICATIONS

Model No.	MK-F500	
Function	Food Processor	Blender & Dry Mill
Power Supply	220 - 240 V ~ 50 - 60 Hz	
Rated Consumption	180 - 200 W	
Switch	Rotary Switch	
Operation Rating	2 minutes ON, 4 minutes OFF	Blender: 2 minutes ON, 2 minutes OFF Dry Mill: 1 minute ON, 2 minutes OFF
	With exception for the stated on "Ingredient Preparations" page.	
Dimension (Approx.)(HxWxD)	435 x 264 x 265 mm	Blender : 406 x 264 x 265 mm Dry Mill : 298 x 264 x 265 mm
Mass (Approx.)	3.1 kg	Blender : 2.8 kg Dry Mill : 2.6 kg
Capacity (Approx.)	Container Capacity: 2.5 L Maximum working capacity: Liquids only = 1.5 L Solids only = 600 g	Blender : 1 L Dry Mill : 50 g (Coffee Beans)
	With exception for the stated on "Ingredient Preparations" page.	
Attachment & Accessories	Knife Blade, Grating Blade, Kneading Blade, Whipping Blade, Salad Drainer, Blade Stand, Shredding Blades (Coarse & Fine), Slicing Blades (Thick & Thin), Julienne Blade, Citrus Press, and Storage Case Unit	Blender Unit, Dry Mill Unit
Common Accessories	Brush with Spatula	
Dishwasher Safe Items	Bowl and Bowl Lid	
Airborne Acoustical Noise	88 (dB (A) re. 1 pW)	88 (dB (A) re. 1 pW)



Disposal of Old Equipment

Only for European Union and countries with recycling systems

This symbol on the products, packaging, and/or accompanying documents means that used electrical and electronic products must not be mixed with general household waste. For proper treatment, recovery and recycling of old products, please take them to applicable collection points in accordance with your national legislation.

By disposing of them correctly, you will help to save valuable resources and prevent any potential negative effects on human health and the environment.

For more information about collection and recycling, please contact your local municipality. Penalties may be applicable for incorrect disposal of this waste, in accordance with national legislation.

INHALTSVERZEICHNIS

	Seite
SICHERHEITSVORKEHRUNGEN	DE3 - DE5
WICHTIGE HINWEISE	DE6
TEILE-NAMEN	DE7 - DE8
SCHUTZSCHALTER	DE8
VERRIEGELUNG	DE9
DEMONTAGE	DE9
KÜCHENMASCHINE	
(i) EINFÜHRUNG	DE10
(ii) MESSERKLINGE • KNETHAKEN • SCHLAGSAHNE-AUFSATZ • RASPELSCHEIBE	DE10 - DE12
– Vorbereitung der Zutaten	
– Bedienung	
(iii) SCHNEIDEEINSÄTZE • REIBEEINSÄTZE • MESSERKLINGE	DE13 - DE14
– Vorbereitung der Zutaten	
– Bedienung	
(iv) SALATSCHLEUDER	DE15
– Vorbereitung der Zutaten	
– Bedienung	
(v) ZITRUSPRESSE	DE16
– Vorbereitung der Zutaten	
– Bedienung	
MIXER	
(i) EINFÜHRUNG	DE17
(ii) MIXER	DE17
– Vorbereitung der Zutaten	
– Bedienung	
TROCKENMAHLWERK	
(i) TROCKENMAHLWERK	DE18
– Vorbereitung der Zutaten	
– Bedienung	
NACH GEBRAUCH	DE19 - DE20
FEHLERBEHEBUNG	DE21
TECHNISCHE DATEN	DE22

SICHERHEITSVORKEHRUNGEN (Bitte befolgen Sie diese Anweisungen.)

Befolgen Sie bitte die nachstehenden Anweisungen, um Unfälle oder Verletzungen des Benutzers oder Dritter sowie Sachschäden zu vermeiden.

■ Die nachfolgenden Hinweise zeigen das durch unsachgemäßen Gebrauch entstehende Schadensausmaß auf.



WARNUNG

Weist auf die Möglichkeit schwerer Verletzungen oder Tod hin.



ACHTUNG

Weist auf die Möglichkeit von Verletzungen oder Sachschäden hin.

■ Die Zeichen sind klassifiziert und wie folgt erläutert:



Dieses Symbol weist auf ein Verbot hin.



Dieses Symbol weist auf eine erforderliche Anweisung hin, die befolgt werden muss.



WARNUNG

- **Vermeiden Sie Beschädigungen des Kabels und des Steckers.**
(Diese können zu Stromschlag oder Feuer durch Kurzschluss führen.)
- **Verwenden Sie das Gerät nicht, wenn das Kabel oder der Stecker beschädigt sind oder der Stecker nur lose mit der Steckdose verbunden ist.**
(Dies kann zu Stromschlag oder Feuer durch Kurzschluss führen.)
 - ➔ Sofern das Kabel beschädigt ist, muss es zur Vermeidung von Gefahren durch den Hersteller, dessen Kundendienst oder eine gleichermaßen qualifizierte Person ausgewechselt werden.
- **Den Stecker nicht mit nassen Händen einstecken oder abziehen.**
(Dies kann einen Stromschlag verursachen.)
- **Überschreiten Sie nicht die zulässige Steckdosenspannung und verwenden Sie keine andere als die auf dem Gerät angegebene Stromstärke.**
(Dies kann zu Stromschlag oder Feuer führen.)
 - Stellen Sie sicher, dass die dem Gerät zugeführte Stromspannung ihrer Ortsversorgung entspricht.
 - Das Einstecken anderer Geräte in die gleiche Steckdose kann zu elektrischer Überhitzung führen.
- **Das Motorenhäusle nicht in Wasser eintauchen oder mit Wasser bespritzen.**
(Dies kann zu Stromschlag oder Feuer durch Kurzschluss führen.)
- **Bauen Sie das Gerät nicht auseinander und nehmen Sie am Gerät keine Reparaturen oder Änderungen vor.**
(Dies kann zu Feuer, Stromschlag oder Verletzungen führen.)
 - ➔ Wenden Sie sich bei Reparaturbedarf bitte an Ihren Kundendienst.
- **Stecken Sie keine Gegenstände in die Lüftungsöffnung oder in die Zwischenräume.**
(Dies kann zu Stromschlag oder Fehlfunktionen führen.)
 - Insbesondere keine Gegenstände aus Metall wie Nadeln oder Drähte.
- **Ersetzen Sie Geräteteile nur mit für dieses Produkt zugelassenen Ersatzteilen.**
(Anderenfalls kann es zu Verletzungen, Stromschlag oder Feuer kommen.)
- **Versuchen Sie nicht, die Abdeckung zu entfernen, wenn das Gerät noch in Betrieb ist.**
(Anderenfalls können Verletzungen verursacht werden.)
- **Verwenden Sie kein heißes Wasser (über 60 °C) zu Reinigungszwecken oder Feuer, um das Gerät zu trocknen.**
(Dies kann zu Verbrennungen oder Fehlfunktionen führen.)

WARNUNG

- **Geben Sie keine heißen Zutaten (über 60 °C) in den Behälter oder den Mixer.**
(Es kann zu Verletzungen oder Fehlfunktionen führen.)
- **Das Gerät nicht ohne die ordnungsgemäß angebrachte Mixerabdeckung des Mixbehälters bedienen.**
(Andernfalls können Verletzungen verursacht werden.)
- **Halten Sie nicht Ihren Finger oder Gebrauchsgegenstände wie Löffel, Gabel etc. in den Behälter oder den Mixbehälter während des Betriebes.**
(Es kann zu Verletzungen, Stromschlag oder einem Brand durch Kurzschluss führen.)
- **Drücken Sie den Sicherheitsbolzen und Sicherheitsstift nicht mit einem Gerät, Stift etc. herunter, solange das Gerät eingeschaltet ist.**
(Andernfalls können Verletzungen verursacht werden.)

- **Dieses Gerät ist nicht zum Gebrauch durch Kinder geeignet. Halten Sie das Gerät und das zugehörige Kabel aus der Reichweite von Kindern fern. Das Gerät kann von Personen mit eingeschränkten körperlichen, sensorischen oder psychischen Fähigkeiten oder Mangel an Erfahrung oder Kenntnissen benutzt werden, sofern diese Personen beaufsichtigt werden oder Anweisungen hinsichtlich der sicheren Verwendung des Produkts erhalten haben und die damit verbundenen Gefahren verstehen. Lassen Sie Kinder nicht mit dem Gerät spielen.**
(Es besteht Verbrennungs-, Verletzungs- und Stromschlaggefahr.)
- **Stecken Sie den Stecker fest ein.**
(Andernfalls kann die möglicherweise um den Stecker herum entstehende Hitze zu Stromschlag und Feuer führen.)
- **Der Stecker sollte regelmäßig gereinigt werden.**
(Ein verunreinigter Stecker kann aufgrund von Feuchtigkeit zu unzureichender Isolierung führen und eine Brandgefahr darstellen.)
- **Sofern abnormale Vorkommnisse oder Störungen auftreten, stellen Sie den Betrieb des Geräts unverzüglich ein und ziehen Sie den Stecker ab.**
(Es besteht die Gefahr von Rauchbildung, Feuer oder Stromschlag.)
Beispiele für abnormale Vorkommnisse oder Störungen:
 - Stecker und Kabel erhitzen sich über das normale Maß hinaus.
 - Das Kabel ist beschädigt oder es liegt ein Stromausfall vor.
 - Das Motorengehäuse ist verformt oder ungewöhnlich heiß.
 - ➔ Ziehen Sie den Gerätestecker unverzüglich ab und wenden Sie sich an den Kundendienst, um das Gerät überprüfen oder reparieren zu lassen.
- **Vergewissern Sie sich, dass Sie am Stecker ziehen, wenn Sie diesen ausstecken, d. h. ziehen Sie niemals direkt am Kabel.**
(Andernfalls kann es zu Stromschlag oder Feuer durch Kurzschluss kommen.)
- **Seien Sie vorsichtig, wenn heiße Flüssigkeit in den Behälter oder Mixbehälter gelangt, die aufgrund einer plötzlichen Dampfbildung aus dem Gerät austreten kann.**
(Es kann zu Verbrennungen führen.)

ACHTUNG

- **Lassen Sie das Gerät während des Betriebs nicht unbeaufsichtigt.**
(Es besteht Feuer- oder Verbrennungsgefahr.)
 - Schalten Sie das Gerät ab, wenn Sie es unbeaufsichtigt zurücklassen.
- **Folgende Stellen sind zum Betrieb des Geräts nicht geeignet:**
 - Unebene Oberflächen, nicht-hitzebeständige Teppiche oder Tischdecken, usw.
(Es besteht Feuer- oder Verletzungsgefahr.)
 - Stellen, an denen die Gefahr von Spritzwasser besteht oder die sich in der Nähe einer Wärmequelle befinden.
(Es besteht Stromschlag- oder Leckstromgefahr.)
- **Verarbeiten Sie nicht mehr als die auf jedem Behälter angegebene maximale Menge. Beachten Sie die empfohlene Dosierung der Zutaten für die Verarbeitung.**
(Es kann zu Vibrationen und Fehlfunktionen führen.)
- **Schalten Sie das Gerät nicht für längere Zeit ein. Es wird empfohlen, das Gerät nach einer bestimmten Betriebszeit ruhen zu lassen.**
(Es kann Verbrennungen verursachen.)

Funktionsweise	Betriebszeit (Minuten)	Ruhezeit (Minuten)
Küchenmaschine	2	4
Mixer	2	2
Trockenmahlwerk	1	2

* Ausgenommen der genannten „Zubereitung der Zutaten“ in dieser Betriebsanleitung.

- **Ziehen Sie stets den Gerätestecker aus der Steckdose ab, wenn das Gerät unbeaufsichtigt zurückgelassen wird und bevor Sie das Gerät zusammensetzen, demontieren oder reinigen.**
(Es besteht Verbrennungs- und Verletzungsgefahr.)
- **Entfernen Sie Behälter und Mixbehälter bevor Sie das Motorengehäuse vom Tisch nehmen.**
(Andernfalls können Verletzungen verursacht werden.)
- **Schalten Sie das Gerät aus und ziehen Sie den Stecker ab, bevor Sie Zubehörteile auswechseln oder sich Teilen nähern, die sich während des Betriebs in Bewegung befinden.**
(Andernfalls kann es zu Verletzungen kommen.)
- **Achten Sie beim Tragen des Gerätes darauf, das Motorgehäuse mit beiden Händen zu halten. Tragen Sie es nicht, indem Sie nur den Behälter, den Mixbehälter oder den Mahlbehälter festhalten.**
(Andernfalls können Verletzungen verursacht werden.)
- **Falls sich die Mixer Klinge verklemmt, schalten Sie den Mixer aus und ziehen Sie den Stecker raus. Halten Sie Ihren Finger nicht in den Mixbehälter. Verwenden Sie eine Spachtel, um die Zutaten, die die Mixer Klinge blockieren zu entfernen.**
(Andernfalls können Verletzungen verursacht werden.)
- **Vorsicht beim Umgang mit den scharfen Schneidklingen beim Entleeren des Behälters oder Mixbehälters und beim Reinigen. (z.B. Messerklinge, Schneideeinsätze etc.)**
(Dies kann zu Verletzungen führen.)

WICHTIGE HINWEISE

- **Stellen Sie das Gerät nicht an den folgenden Orten auf.**
 - Orte, an denen das Gerät übermäßiger Feuchtigkeit, überhöhten Temperaturen oder direkter Sonneneinstrahlung ausgesetzt ist.
(Es kann zu Fehlfunktionen führen.)
 - Jegliche Orte mit übermäßig hohen oder niedrigen Temperaturen wie Kühlschrank, Gefrierschrank, Mikrowelle oder Backofen.
(Es kann zu Funktionsstörungen oder Ausfall führen.)
- **Verarbeiten Sie keine harten Zutaten (z.B. zähes Fleisch, Fleisch mit Knochen) oder zähflüssige Materialien.**
(Es kann zu Fehlfunktionen führen.)

Verbotene Zutaten:

Anhänge	Beschreibung
Messer Klinge	Harte und zähflüssige Zutaten, z.B. Kaffeebohnen, getrocknete Sojabohnen, gefrorene Lebensmittel, getrockneter Tintenfisch etc.
Schneideeinsätze Reibeeinsätze und Pommes-Frites- Schneider	Zutaten mit hoher Festfaserkonzentrationen, zähflüssige Zutaten, Zutaten, die zu weich sind, z.B. hartes Gemüse, Schinken, Kurkuma, Ingwer, Kopfsalat, Tomaten, Pfirsiche, Schokolade etc.
Knethaken	Zutaten, die sich nicht zur Zubereitung von Teig eignen sind z.B. Fleisch, Gemüse, Nüsse, Soßen, Aufstriche.
Schlagsahne- Aufsatz	Alle anderen Zutaten, abgesehen von Eiweiß und frischer Sahne.
Raspelscheibe	Zähflüssige Zutaten, Zutaten mit hoher Festfaserkonzentrationen, Zutaten, die zu klein und dünn sind, z.B. Süßkartoffeln, Kartoffeln, Sellerie, Lauch, Pinienkerne etc.
Salatschleuder	Große klobige Zutaten, Zutaten, die weich und zerbrechlich, z.B. große Karotten oder Kartoffelstücke, Tomaten, Tofu, Pasta etc.
Zitruspresse	Alle anderen Zutaten abgesehen von Zitrusfrüchten, wie z.B. Apfel, Kiwi etc.
Mixer	Harte Zutaten, äußerst klebrige Zutaten, Zutaten mit niedrigem Wassergehalt z.B. Kurkuma, getrocknete Sojabohnen, Tiefkühlkost, Fleisch, Fisch, gekochte Kartoffeln, oder bloße Eiswürfel etc.
Trockenmahlwerk	Harte Nüsse, getrocknete Früchte, Zutaten mit hoher Festfaserkonzentration, feuchte Zutaten, Flüssigkeiten, z.B. verschiedene Nüsse, Rosinen, Fleisch, Gemüse, gekochte Eier, Kurkuma usw..

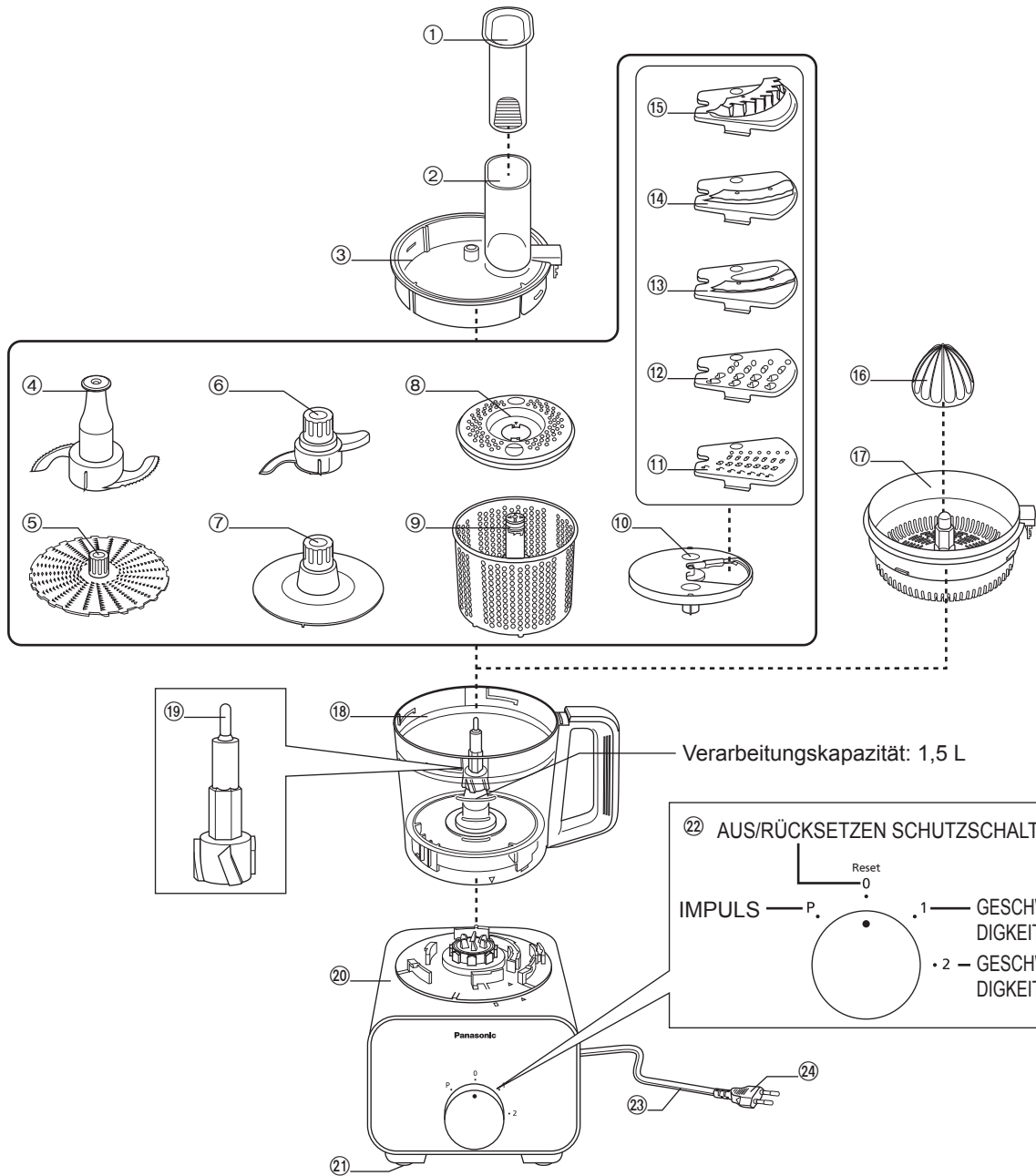
Vor Gebrauch:

Bedienen Sie das Gerät nur auf einer sauberen, trockenen, flachen, harten und glatten Oberfläche und säubern Sie den Gummisaugfuß (S. DE7) vor der Bedienung um sicherzustellen, dass der Gummifuß Absaugung an eine optimale Leistung ist.

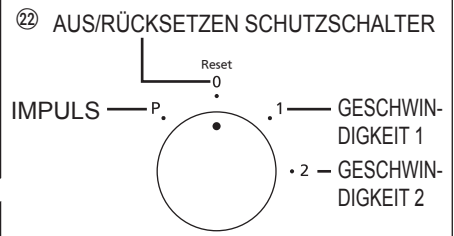
TEILE-NAMEN

Küchenmaschine

Deutsch



Verarbeitungskapazität: 1,5 L

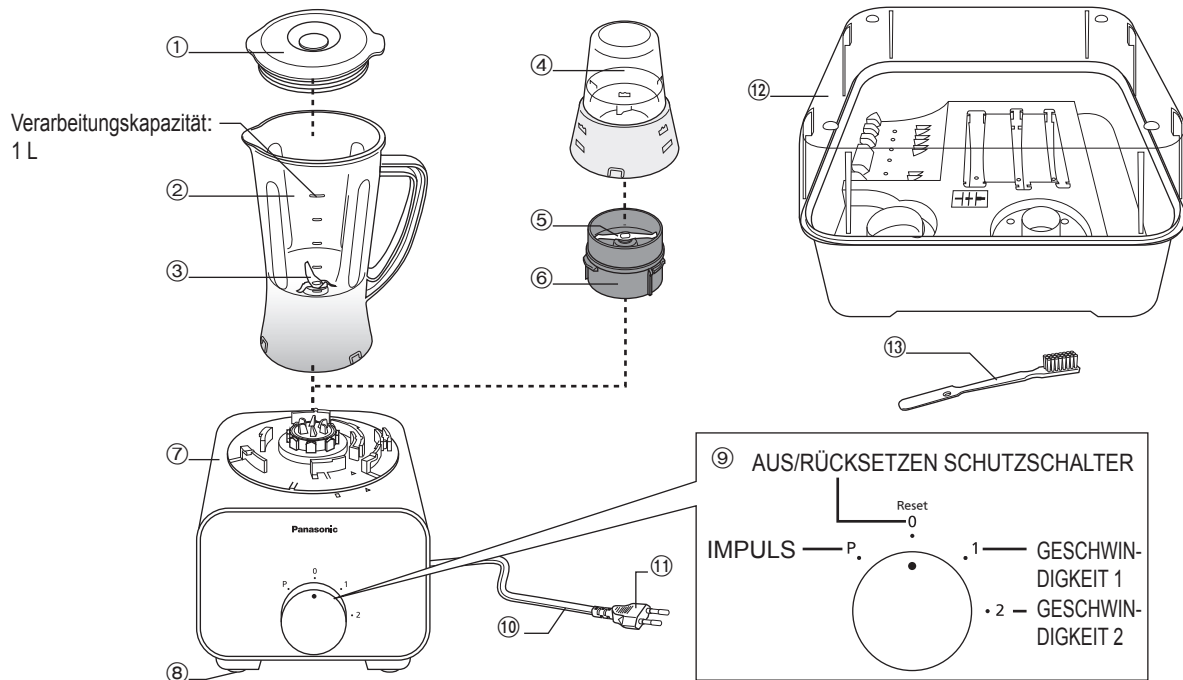


- | | |
|--------------------------|-----------------------------|
| 1. Schieber | 13. Schneideeinsatz dünn |
| 2. Fülltrichter | 14. Schneideeinsatz dick |
| 3. Behälterabdeckung | 15. Pommes-Frites-Schneider |
| 4. Messerklinge | 16. Zitruspresse |
| 5. Raspelscheibe | 17. Filtersieb |
| 6. Knethaken | 18. Universalschüssel |
| 7. Schlagsahne-Aufsatz | 19. Antriebswelle |
| 8. Salatschleuder-Deckel | 20. Motoregehäuse |
| 9. Salatschleuder | 21. Gummifuß |
| 10. Universaleinsatz | 22. Drehschalter |
| 11. Reibeinsatz fein | 23. Kabel |
| 12. Reibeinsatz grob | 24. *Stecker |

*Die Form des Steckers kann sich von der Abbildung unterscheiden.

TEILE-NAMEN

Mixer , Trockenmahlwerk & Zubehör



- | | | |
|-------------------|----------------------|----------------------|
| 1. Mixerabdeckung | 6. Mahlwerkunterteil | 11. *Stecker |
| 2. Mixbehälter | 7. Motorblock | 12. Aufbewahrungsbox |
| 3. Mixer Klinge | 8. Gummifuß | 13. Bürste |
| 4. Mahlbehälter | 9. Drehschalter | |
| 5. Mahlklinge | 10. Kabel | |

*Die Form des Steckers kann sich von der Abbildung unterscheiden.

SCHUTZSCHALTER

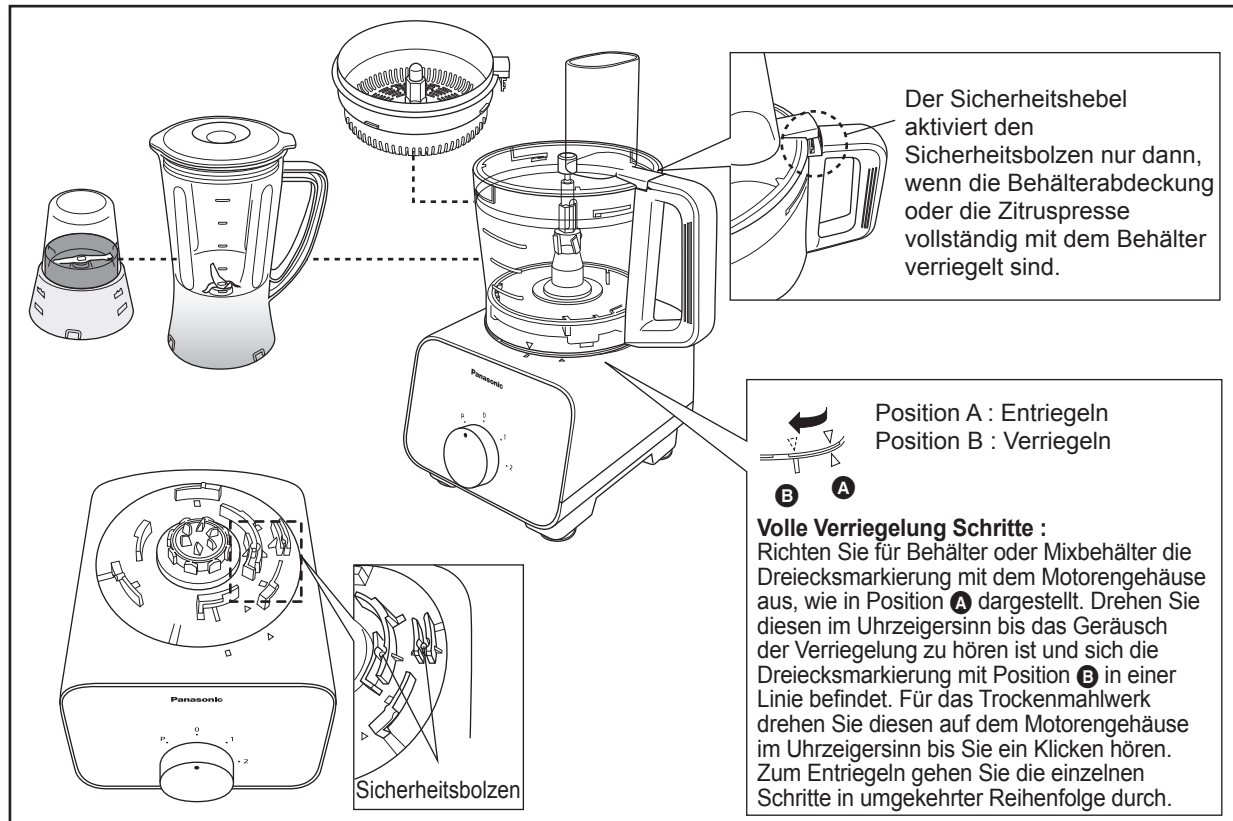
Das Gerät hat eine Schutzschalter-Funktion, um den Motor bei Überlastung auszuschalten.

Wenn der Schutzschalter den Motor wegen Überlastung automatisch stoppt, schalten Sie den Drehschalter auf AUS „0“ und folgen Sie den Anweisungen unten:

1. Verringern Sie die Zutaten auf weniger als die Hälfte und fahren Sie mit der Verarbeitung fort.
2. Wenn das Gerät immer noch nicht startet, schalten Sie den Drehschalter erneut auf AUS „0“ und fahren Sie mit der Verarbeitung fort.
3. Wenn das Problem weiterhin besteht, wenden Sie sich an den nächsten Kundendienst in Ihrer Nähe.

VERRIEGELUNG

- Der Sicherheitsbolzen wurde entworfen, um das Gerät vor dem Einschalten zu schützen, wenn
- die Behälterabdeckung oder die Zitruspresse und die Universalschüssel nicht vollständig miteinander verriegelt sind.
 - Der Behälter, der Mixer oder der Mahlwerkbehälter nicht vollständig mit dem Motorengehäuse verriegelt sind.



Deutsch

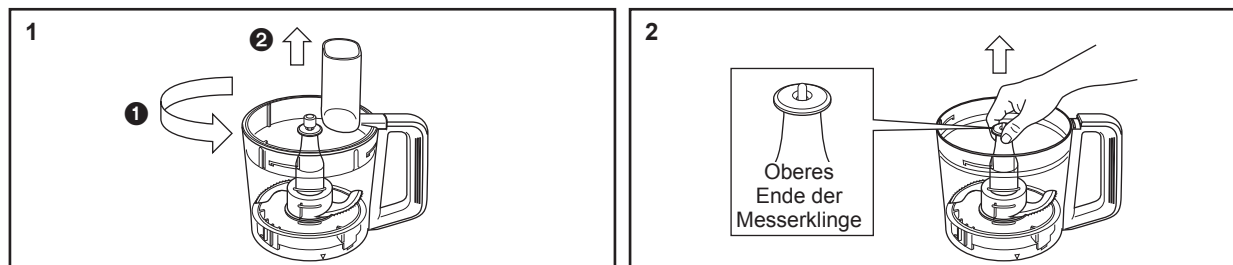
Hinweis:

- Drücken Sie den Sicherheitsbolzen und Sicherheitshebel nicht mit einem Gerät, Stift etc. herunter.
- Geben Sie keine Flüssigkeiten oder Zutaten über den Bereich des Sicherheitsbolzens und des Sicherheitshebels hinzu.
- Halten Sie den Bereich um den Sicherheitsbolzen und den Sicherheitshebel sauber, um zu vermeiden, dass sich Fremdkörper dort ansammeln.

Die o.g. Maßnahmen gewährleisten die korrekte Funktion des Sicherheitsbolzens und des Sicherheitshebels. Werden diese nicht befolgt, werden die mit dem Sicherheitsbolzen und dem Sicherheitshebel in Verbindung stehenden Teile beschädigt.

DEMONTAGE

AUSPACKEN



Drehen Sie die Behälterabdeckung gegen den Uhrzeigersinn und heben Sie diese vom Behälter ab.

Halten Sie das obere Ende der Messerklinge und heben Sie diese an, um sie aus dem Behälter zu entfernen.

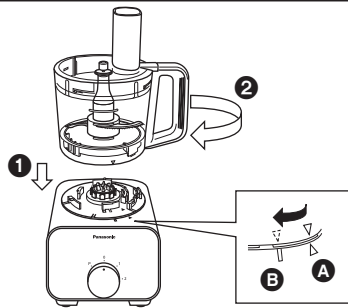
Hinweis:

Seien Sie vorsichtig mit den scharfen Kanten der Messerklinge, wenn Sie diese aus dem Behälter herausnehmen.

DE9

KÜCHENMASCHINE - EINFÜHRUNG-

Es wird dringend empfohlen, jegliches Gerätezubehör und Zusatzteile vor dem ersten Gebrauch der Maschine zu reinigen und gut zu trocknen. Für das Reinigungsverfahren siehe S. DE19 und DE20. Ziehen Sie bei der Montage den Stecker heraus. Vergewissern Sie sich vor dem Einstecken des Steckers, dass der Drehschalter ausgeschaltet auf Position „0“ ist. Bitte sehen Sie auf S. DE20 unter „Aufstellort“ nach, wie Sie das Motorengehäuse neu positionieren.



1. Platzieren Sie den Behälter oben auf das Motorengehäuse bis die Markierungen übereinstimmen, wie unter **A** dargestellt.
2. Drehen Sie den Behälter im Uhrzeigersinn bis Sie ein Klicken hören. Stellen Sie sicher, dass die Dreiecksmarkierung auf dem Behälter mit der rechteckigen Markierung auf dem Motorengehäuse in einer Linie ist, wie unter **B** dargestellt.

Für eine Demontage gehen Sie die einzelnen Schritte in umgekehrter Reihenfolge durch.




KÜCHENMASCHINE - MESSERKLINGE • KNETHAKEN • SCHLAGSAHNE-AUFSATZ • RASPELSCHIBE-

Vorbereitung der Zutaten für Messerklinge

Funktionsweise	Zutaten	Geschwindigkeit	Menge	Betriebszeit (ca.)	Zubereitungsart
Zerkleinern	Fleisch	2	50 ~ 400 gr	5 ~ 50 Sek.	Entfernen Sie Haut, Knochen und Sehnen und schneiden Sie es in 2 ~ 3 cm große Würfel.
	Fisch		50 ~ 500 gr	3 ~ 20 Sek.	2 ~ 3 cm große Würfel.
Zerhacken	Zwiebel	1 (Intervallbetrieb)	150 ~ 500 gr	4 ~ 15 mal	Die Haut abziehen und in 2 ~ 3 cm große Würfel schneiden.
	Knoblauch	2	5 ~ 500 gr	10 ~ 30 Sek.	Die Haut abziehen.
	Karotten		50 ~ 450 gr	10 ~ 30 Sek.	Die Haut abziehen und in 2 ~ 3 cm große Würfel schneiden.
	Glatte Petersilie		5 ~ 70 gr	10 ~ 40 Sek.	Stiel entfernen.
	Pilze		30 ~ 250 gr	3 ~ 15 Sek.	In 2 ~ 3 cm große Würfel schneiden.
Crush	Parmesankäse	2	10 ~ 200 gr	10 ~ 60 Sek.	In 2 ~ 3 cm große Würfel schneiden.
Zerdrücken	Salzkartoffeln	IMPULS	100 ~ 400 gr	3 ~ 15 mal	In 2 ~ 3 cm große Würfel schneiden. Verarbeiten Sie nicht übermäßig.
Tiefkühl	Gefrorene Bananen	2	250 ~ 450 gr	30 ~ 180 Sek.	1 ~ 2 cm Breite, halbgefrorener Zustand, d.h. man kann sie mit einem Zahnstocher durchstechen.
Eiszerkleinerer	Eiswürfel	2	~ 10 Stk.	~ 20 Sek.	2 ~ 3 cm große Eiswürfel.
Mahlen von	Erdnüsse	2	10 ~ 200 gr	15 ~ 30 Sek.	Von den Erdnüssen Schale und Haut entfernen.
Paste	Geröstete Erdnüsse	2	100 ~ 400 gr	5 ~ 10 Min.	Von den Erdnüssen Schale und Haut entfernen.
Krumen	Weiches Weißbrot	2	10 ~ 200 gr	15 ~ 60 Sek.	Schneiden Sie weiches Brot in 6 ~ 8 Stücke.

KÜCHENMASCHINE - MESSERKLINGE • KNETHAKEN • SCHLAGSAHNE-AUFSATZ • RASPELSCHEIBE-

Vorbereitung der Zutaten für Messerklinge



Funktionsweise	Zutaten	Geschwindigkeit	Max Einmalgebrauch	Betriebszeit (ca.)	Zubereitungsart
Kneten von (für Süßwaren)	Mehl	2	~ 300 gr	~ 120 Sek.	 Zu verwenden für die Herstellung von Süßwaren wie Konfekt und Kuchen.
Entsafter	Obst, Flüssigkeiten etc.	2	~ 1,500 mL	~ 120 Sek.	 In 2 ~ 3 cm große Würfel schneiden. Feste Stoffe zuerst verarbeiten. Füllen Sie maximal 1.500 mL Flüssigkeit ein. Fügen Sie nicht mehr als 10 Eiswürfel während der Verarbeitung hinzu.
Suppenzubereiter	Gekochtes Gemüse, Flüssigkeiten, etc.	2	~ 1,500 mL	~ 120 Sek.	 In 2 ~ 3 cm große Würfel schneiden. Feste Stoffe zuerst verarbeiten. Füllen Sie maximal 1.500 mL Flüssigkeit ein.

Deutsch



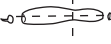
Vorbereitung der Zutaten für den Knethaken.

Funktionsweise	Zutaten	Geschwindigkeit	Max Einmalgebrauch	Betriebszeit (ca.)	Zubereitungsart
Kneten von (für Brot)	Brotmehl	2	300 gr	~ 120 Sek.	Lösen Sie die Hefe in Wasser auf und fügen Sie die Lösung bei Verarbeitung der Masse hinzu (das direkte Hinzufügen von Hefe, ohne diese zu verarbeiten, kann dazu führen, dass der Teig zu früh aufgeht oder diese bröckelig wird). Ist die Teigmischung nach der ersten Verarbeitung immer noch flockig, fügen Sie einen Teelöffel Wasser hinzu. Wenn starke Vibrationen entstehen, weil sich die Teigmischung um die Antriebswelle wickelt, fügen Sie 1 Esslöffel Mehl hinzu. Verarbeiten Sie den Teig nicht ein weiteres Mal, wenn der Vorgang beendet ist. Sind Sie mit dem Teig nicht zufrieden, kneten Sie diesen mit der Hand.
	Flüssigkeiten		160 ~ 200 mL		

Vorbereitung der Zutaten für den Schlagsahne-Aufsatz

Funktionsweise	Zutaten	Geschwindigkeit	Max Einmalgebrauch	Betriebszeit (ca.)	Zubereitungsart
Schlagen von	Eiweiß	2	2 ~ 6 Eier	50 Sek. ~ 90 Sek.	 Trennen Sie das Eiweiß vom Eigelb für einen glatten Schaum.
	Sahne		100 ~ 300 mL	15 Sek. ~ 2 Min.	 Verwenden Sie frische Sahne mit einem Fettgehalt von 35 % oder höher bei 5 °C.

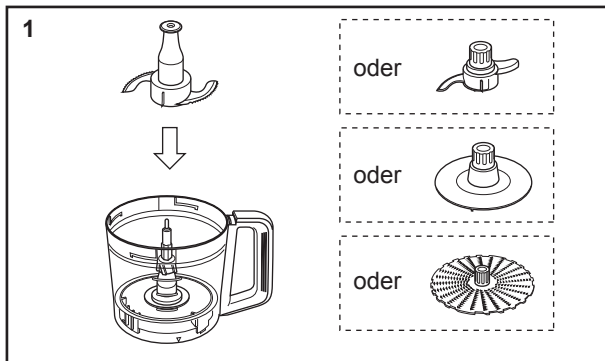
Vorbereitung der Zutaten für die Raspelscheibe.

Funktionsweise	Zutaten	Geschwindigkeit	Max Einmalgebrauch	Betriebszeit (ca.)	Zubereitungsart
Raspeln von	Karotten	2	200 gr	-	   In 2-3 cm große Würfel schneiden.
	Äpfeln		200 gr		
	Gurken		200 gr		

DE11

KÜCHENMASCHINE - MESSERKLINGE • KNETHAKEN • SCHLAGSAHNE-AUFSATZ • RASPELSCHEIBE-

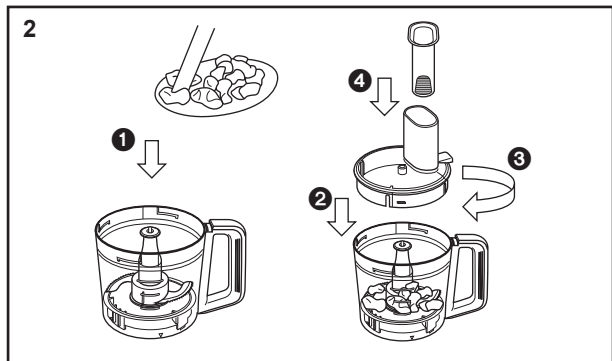
Verwendung der Messerklinge • Knethaken • Schlagsahne-Aufsatz • Raspelscheibe



Nachdem Sie den Behälter auf das Motorengehäuse gesetzt haben, platzieren Sie die Messerklinge (den Knethaken, den Schlagsahne-Aufsatz oder die Raspelscheibe) in den Behälter.

Hinweis:

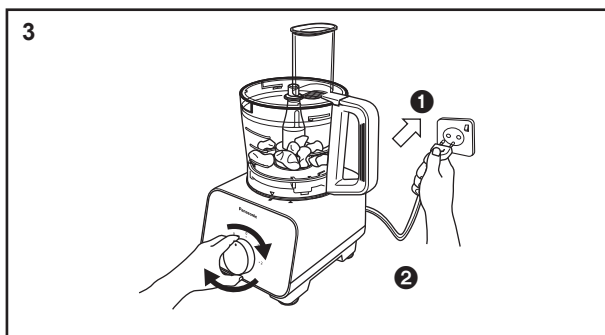
Bei der Messerklinge stellen Sie sicher, dass der Metallschaft nach dem Einsetzen aus der Messerklinge herausragt.



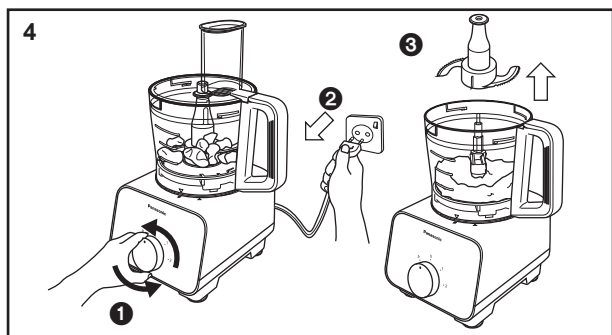
Geben Sie die Zutaten in die Universalschüssel. Setzen Sie die Behälterabdeckung auf die Universalschüssel und drehen Sie diesen im Uhrzeigersinn bis Sie ein „Klicken“ hören. Stecken Sie den Schieber in den Fülltrichter. Bringen Sie den Universalschüssel oben auf dem Motorengehäuse an, wie auf Seite DE10 dargestellt.

Hinweis:

Legen Sie die Zutaten bei der Raspelscheibe darüber und verteilen Sie sie regelmäßig darauf.



Stecken Sie den Stecker in die Steckdose und betätigen Sie den Drehschalter für die gewünschte Geschwindigkeit (siehe S. DE10-DE11 für die „Vorbereitung der Zutaten“).

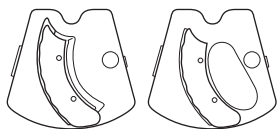


Nachdem die Verarbeitung abgeschlossen ist, drehen Sie den Drehschalter zurück auf AUS „0“ und ziehen Sie den Stecker aus der Steckdose. Entfernen Sie die Messerklinge aus der Universalschüssel, bevor Sie die verarbeiteten Zutaten entnehmen.

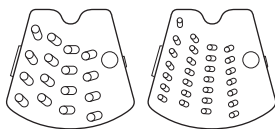
Hinweis:

- Stellen Sie sicher, dass die Messerklinge eingelegt ist, bevor Sie Zutaten in den Behälter geben.
- Überschreiten Sie die angegebene Höchstmenge beim Kneten nicht, da übermäßige Vibrationen auftreten können.
- Geben Sie keine heißen Zutaten zur Verarbeitung in den Behälter. Achten Sie immer darauf, dass die Zutaten abkühlen, bevor Sie sie hinzugeben, z.B. bei Salzkartoffeln.
- Um Saft zu machen, fügen Sie die festen Zutaten zuerst hinzu und daraufhin die flüssigen, so dass das Gesamtvolumen 1.500 ml nicht überschreitet.
- Wenn Sie Flüssigkeiten zusammen mit Eiswürfeln verarbeiten, geben Sie nicht mehr als 10 Eiswürfel hinzu (ca. 170 gr).
- Überschreiten Sie die angegebene Höchstmenge beim Kneten nicht, da übermäßige Vibrationen auftreten können.
- Schlagen Sie die Schlagsahne nicht zu lange, es können sich Butterklumpen bilden.
- Mit verschiedenen Marken Schlagsahne, werden unterschiedliche Ergebnisse erzielt. Es wird empfohlen, das Gerät so lange einzuschalten bis die Sahne ausreichend geschlagen ist.
- Entsprechend der Geschwindigkeit, aber auch der verwendeten Zutaten kommt es zu starken Vibrationen. Halten Sie in diesem Fall die Behälterabdeckung mit beiden Händen fest, so dass sie während des Vorgangs gesichert ist.
- Führen Sie beim Kneten nicht weiter die Verarbeitung aus, nachdem sich der Teig zum ersten Mal gebildet hat.
- Große Mengen von Butter und Zucker im Teig können bei der Benutzung des Knethakens zu außergewöhnlichen Vibrationen führen.
- Die Nutzung von anderen Mehlsorten als Brotmehl kann zu außergewöhnlichen Vibrationen führen. Entfernen Sie vor der Verarbeitung 1 ~ 2 Esslöffel Wasser. Wasser der gesamten Angabe und fügen Sie diese nach und nach während der Verarbeitung, wenn nötig, hinzu.

KÜCHENMASCHINE - SCHNEIDEEINSÄTZE • REIBEEINSÄTZE • MESSERKLINGE -



Schneideeinsätze (dick/dünn)
- werden zum Schneiden der
Zutaten verwendet



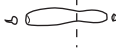

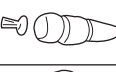


Reibeeinsätze (Grob/Fein)
- werden zum Reiben und Raspeln
von Zutaten verwendet.



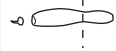



Messer Klinge
- wird zur Herstellung von Pommes
Frites und zum Schroten von
Zutaten verwendet.

Deutsch



Vorbereitung der Zutaten für die Schneideeinsätze (dick/dünn)

Funktionsweise	Zutaten	Geschwindigkeit	Max Einmalgebrauch	Betriebszeit (ca.)	Zubereitungsart
Schneiden von	Gurken	2	700 gr	-	    
	Zwiebel		700 gr		
	Karotten		600 gr		
	Kartoffeln		600 gr		
	Kohl		400 gr		
					Schneiden Sie die Zutaten bis sie klein genug sind, um in den Fülltrichter zu passen.

Vorbereitung der Zutaten für die Reibeeinsätze (Grob/Fein)

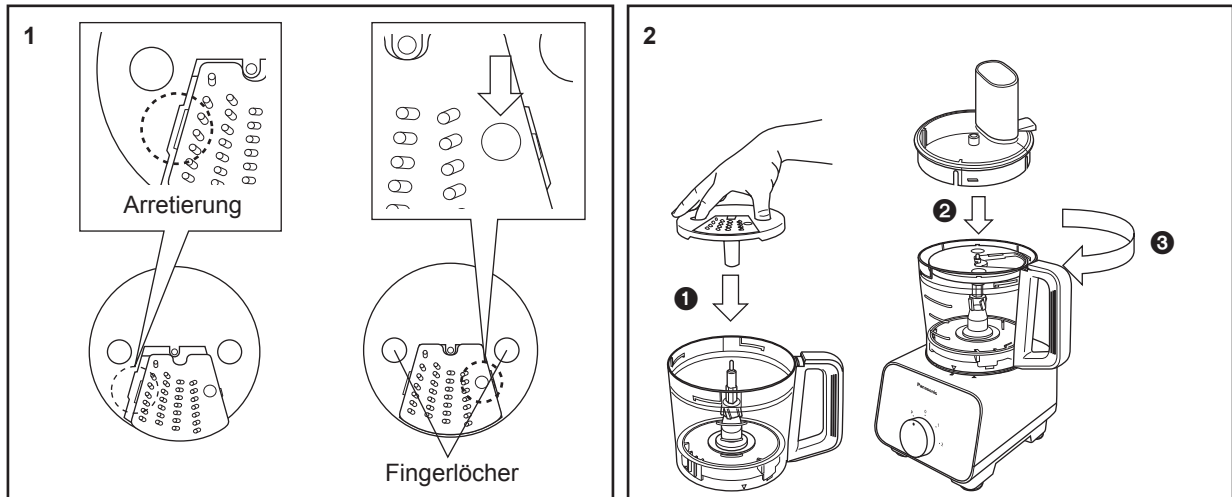
Funktionsweise	Zutaten	Geschwindigkeit	Max Einmalgebrauch	Betriebszeit (ca.)	Zubereitungsart
Reiben von	Gurken	2	500 gr	-	   
	Karotten		500 gr		
	Kartoffeln		650 gr		
	Käse		500 gr		
					Schneiden Sie die Zutaten bis sie klein genug sind, um in den Fülltrichter zu passen. Verwenden Sie keine harten Zutaten, wie Parmesan.

Vorbereitung der Zutaten für den Messer Klinge

Funktionsweise	Zutaten	Geschwindigkeit	Max Einmalgebrauch	Betriebszeit (ca.)	Zubereitungsart
Pommes frites	Kartoffeln	2	800 gr	-	 
Reiben von	Kohl		500 gr		
					Schneiden Sie die Zutaten bis sie klein genug sind, um in den Fülltrichter zu passen.

KÜCHENMASCHINE - SCHNEIDEEINSÄTZE • REIBEEINSÄTZE • MESSERKLINGE -

Wie verwenden: Schneideeinsätze (dick/dünn) • Reibeinsatz (Grob/Fein) • Messerklinge



Stecken Sie die Arretierung der gewünschten Klinge auf den Universaleinsatz und stellen Sie sicher, dass sie ordnungsgemäß eingepasst ist. Drücken Sie auf die Vertiefung auf der Klinge, wie oben dargestellt, bis es einrasten hören.

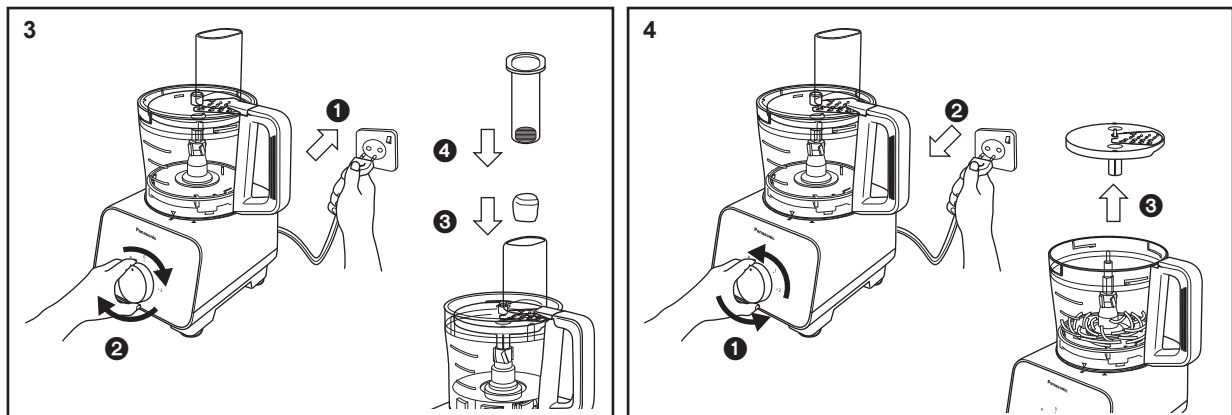
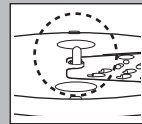
Hinweis:

- Seien Sie vorsichtig mit den scharfen Kanten von Schneideinsätzen, wenn Sie diese auf den Universaleinsatz stecken.
- Zum Entfernen der Klinge, legen Sie den Universaleinsatz um und drücken Sie auf die Vertiefung auf der Klinge.

Führen Sie Ihren Finger und Ihren Daumen in die Fingerlöcher ein, um den Universaleinsatz zu greifen. Platzieren Sie den zusammengebauten Universaleinsatz in den Behälter. Bringen Sie den Universalschüssel oben auf dem Motorengehäuse an, wie auf Seite DE9 dargestellt, und setzen Sie dann den Universaleinsatz in die Universalschüssel. Setzen Sie die Behälterabdeckung auf die Universalschüssel und drehen Sie diesen im Uhrzeigersinn bis Sie ein „Klicken“ hören.

Hinweis:

Vergewissern Sie sich, dass die Antriebswelle nach dem Einführen aus dem Universaleinsatz herausragt.



Stecken Sie den Stecker in die Steckdose und betätigen Sie den Drehschalter für die gewünschte Geschwindigkeit (siehe „Vorbereitung der Zutaten“ auf S. DE13). Fügen Sie die Zutaten in den Fülltrichter und drücken Sie sie mit dem Schieber herunter.

Nachdem die Verarbeitung abgeschlossen ist, drehen Sie den Drehschalter zurück auf AUS „0“ und ziehen Sie den Stecker aus der Steckdose. Entfernen Sie den Universaleinsatz vom Behälter, bevor Sie die verarbeiteten Zutaten entnehmen.

Hinweis:

- Bei der Verarbeitung von weichen und dünnen Zutaten legen Sie diese an die Vorderwand des Fülltrichters an, wie in Abb. 1 dargestellt, so dass die Zutaten bei der Verarbeitung festgehalten werden, um ungleichmäßige Verarbeitung zu vermeiden.
- Entfernen Sie Klumpen von unverarbeiteten Zutaten.
- Platzieren Sie Zutaten mit hohen Faserbestandteilen für ein gleichmäßiges Verarbeitungsergebnis wie in Abb. 2 dargestellt.





Abb. 1.



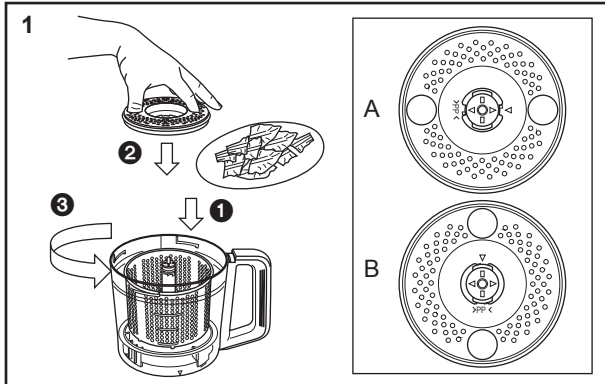
Abb. 2.

KÜCHENMASCHINE - SALATSCHLEUDER -

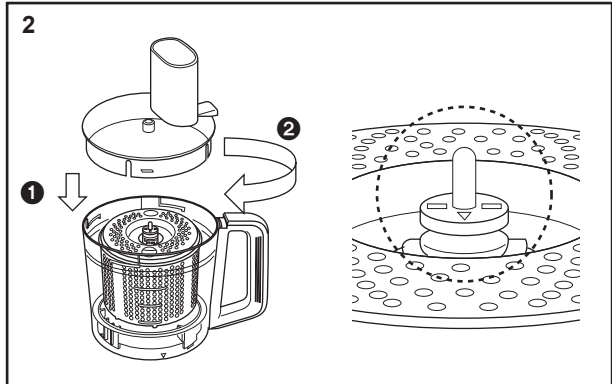
Vorbereitung der Zutaten für Salatschleuder

Funktionsweise	Zutaten	Geschwindigkeit	Max Einmalgebrauch	Betriebszeit (ca.)	Zubereitungsart
Schleudern von	Salatblättern	1	100 gr	20 ~ 40 Sek.	 In 3 - 5 cm große Scheiben schneiden.
	Kohl		200 gr	20 ~ 50 Sek.	 Zerkleinert zu 1 - 3 mm.

Anwendung: Salatschleuder



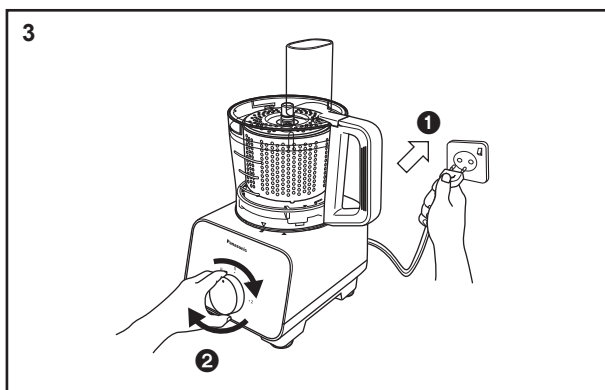
Nachdem Sie die Salatschleuder in den Behälter gelegt haben, geben Sie die Zutaten hinein. Platzieren Sie den Deckel der Salatschleuder auf die Salatschleuder bis die Markierungen übereinstimmen, wie unter A dargestellt. Drehen Sie den Deckel der Schleuder gegen den Uhrzeigersinn bis die Markierungen übereinstimmen, wie unter B dargestellt.



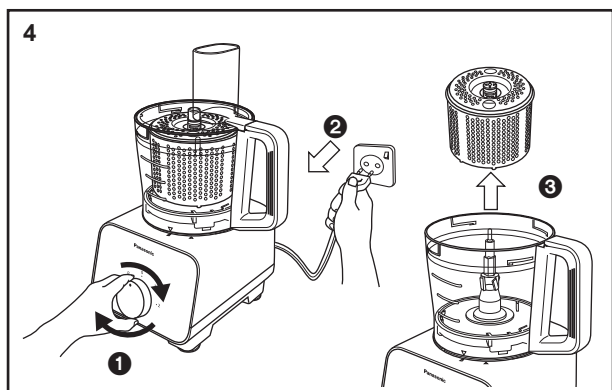
Setzen Sie die Behälterabdeckung auf die Universalschüssel und drehen Sie diesen im Uhrzeigersinn bis Sie ein „Klicken“ hören. Platzieren Sie den Behälter oben auf das Motorengehäuse, wie unter Seite DE10 dargestellt.

Hinweis:

Vergewissern Sie sich, dass der Metallschaft nach dem Einführen aus der Salatschleuder herausragt.



Stecken Sie den Stecker in die Steckdose und betätigen Sie den Drehschalter für die gewünschte Geschwindigkeit.




Nach Abschluss der Verarbeitung drehen Sie den Schalter auf die Position „0“, OFF, und ziehen Sie den Stecker heraus. Entfernen Sie den Salatschleuder vom Behälter.

Hinweis:

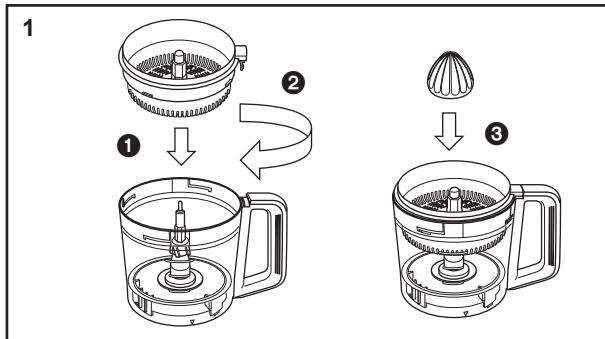
- Maximale Verarbeitungskapazität der Salatschleuder: 200 g oder bis zur maximalen Höhe der Salatschleuder, je nachdem was zuerst eintritt.
- Verbotene Zutaten: siehe Seite DE6.
- Vergewissern Sie sich, dass die Zutaten vor dem Einschalten des Gerätes gleichmäßig in der Salatschleuder verteilt sind.
- Vergewissern Sie sich vor dem Betrieb, dass der Salatschleuder-Deckel an der Salatschleuder angebracht ist, andernfalls kommen die Zutaten heraus und verteilen sich im Behälter.
- Entsprechend der Geschwindigkeit und Menge der verwendeten Zutaten kommt es zu starken Vibrationen. Halten Sie in diesem Fall die Behälterabdeckung fest, so dass sie während des Vorgangs gesichert ist.

KÜCHENMASCHINE -ZITRUSPRESSE-

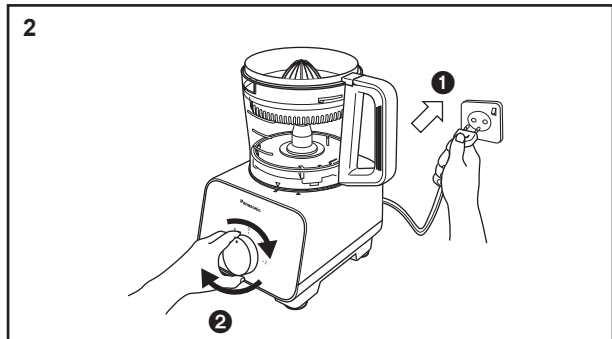
Vorbereitung der Zutaten für die Zitruspresse

Funktionsweise	Zutaten	Geschwindigkeit	Max Einmalgebrauch	Betriebszeit (ca.)	Zubereitungsart
Pressen von	Zitrusfrüchte	1	1000 mL	-	 Schneiden Sie das Obst in Hälften.

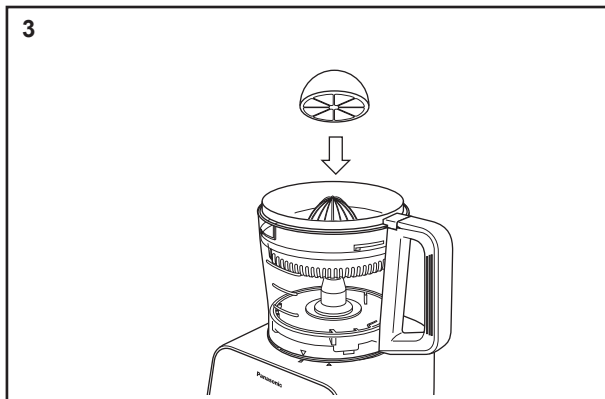
Anwendung: Zitruspresse



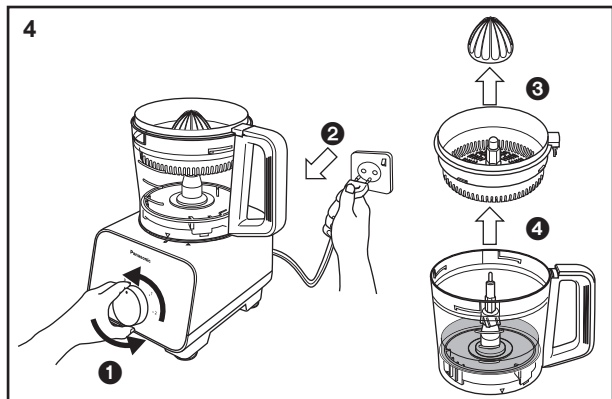
Setzen Sie das Filtersieb auf den Behälter. Drehen Sie es im Uhrzeigersinn bis Sie ein „Klicken“ hören. Setzen Sie die Zitruspresse auf die Antriebswelle.



Platzieren Sie den Behälter oben auf das Motorenhäuser, wie unter Seite DE10 dargestellt. Stecken Sie den Stecker in die Steckdose und betätigen Sie den Drehschalter für die gewünschte Geschwindigkeit.



Positionieren Sie die Hälfte der geschnittenen Frucht mit der Seite der Schale nach oben auf die Zitruspresse und drücken Sie diese fest nach unten, um den Saft daraus zu gewinnen.



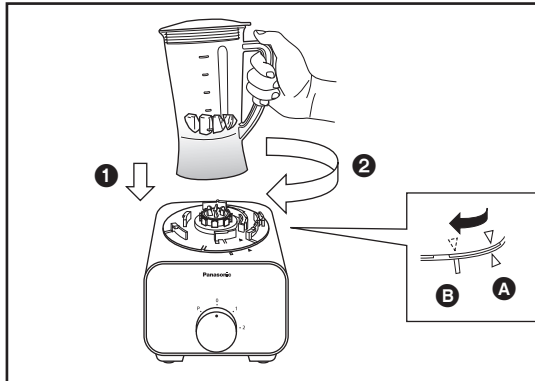
Nachdem die Verarbeitung abgeschlossen ist, drehen Sie den Drehschalter zurück auf AUS „0“ und ziehen Sie den Stecker aus der Steckdose. Entfernen Sie das Zubehör der Zitruspresse vom Behälter bevor, sie den gewonnenen Saft abschütten.

Hinweis:

- Vergewissern Sie sich stets vor dem Gebrauch, dass die Zitruspresse sich auf dem Filtersieb befindet.
- Unterbrechen Sie das Pressen regelmäßig, um das sich auf dem Filtersieb befindliche Fruchtfleisch zu entfernen, so dass die Saftgewinnung besser vorangeht.
- Es wird nicht empfohlen, die Zitruspresse auf Geschwindigkeit 2 zu nutzen.
- Berühren Sie nicht die Zitruspresse, während sie sich dreht.

MIXER

Einführung




1. Stellen Sie den Mixbehälter auf das Motorengehäuse. Stellen Sie sicher, dass die Dreiecksmarkierung auf dem Mixbehälter mit der rechteckigen Markierung auf dem Motorengehäuse in einer Linie ist, wie unter **A** dargestellt.
2. Drehen Sie den Mixbehälter im Uhrzeigersinn bis Sie ein „Klicken“ hören. Stellen Sie sicher, dass die Dreiecksmarkierung auf dem Mixbehälter mit der rechteckigen Markierung auf dem Motorengehäuse in einer Linie ist, wie unter **B** dargestellt.

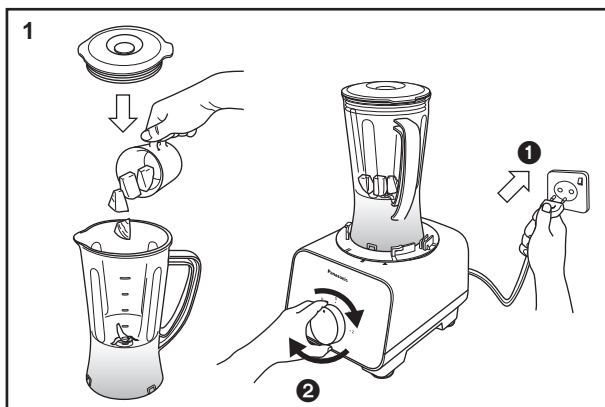
Für eine Demontage gehen Sie die einzelnen Schritte in umgekehrter Reihenfolge durch.

Deutsch

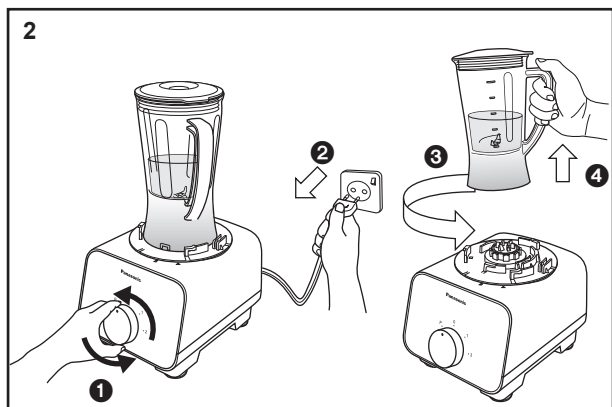
Ingredient Preparations for Blender

Funktionsweise	Zutaten	Geschwindigkeit	Max Einmalgebrauch	Betriebszeit (ca.)	Zubereitungsart
Verflüssigen von	Obst, Gemüse	2	1,000 mL	~ 2 Min.	 In 1 cm große Würfel schneiden.

Anwendung: Mixer



Geben Sie die Zutaten in den Mixbehälter und schließen Sie diesen mit der Mixerabdeckung. Setzen Sie den Mixer auf das Motorengehäuse, wie auf S. DE8 dargestellt. Stecken Sie den Stecker in die Steckdose und betätigen Sie den Drehschalter für die gewünschte Geschwindigkeit.



Nachdem die Verarbeitung abgeschlossen ist, drehen Sie den Drehschalter zurück auf AUS „0“ und ziehen Sie den Stecker aus der Steckdose. Entfernen Sie den Mixbehälter vom Motorengehäuse und daraufhin entnehmen Sie den Inhalt.

Hinweis:

- Verarbeitungskapazität: 1 L
- Verbotene Zutaten: siehe Seite DE6.
- Es wird nicht empfohlen, harte und zähflüssige Zutaten zu mixen. Falls erforderlich schneiden Sie die harten Zutaten in kleine Stücke (z.B. Karotten in 1 cm³ große Würfel) und füllen Sie den Mixer mit den Zutaten, überschreiten Sie dabei jedoch nicht die Hälfte der angegebenen Kapazität.
- Überschreiten Sie beim Befüllen die Höchstkapazität nicht und verringern Sie die Zutaten, wenn das Gerät während des Betriebs unnormale Geräusche macht oder stark vibriert.
- Geben Sie zuerst die weichen Zutaten (Obst, Gemüse) in den Mixbehälter, bevor Sie sonstige Zutaten hinzufügen.
- Falls sich die Mixer Klinge verklemmt, schalten Sie den Mixer sofort aus und ziehen den Stecker raus. Versuchen Sie nicht, Zutaten mit Ihren Fingern zu lösen, verwenden Sie stattdessen etwas, wie einen Gummispatel.
- Beim Mixen besteht die Möglichkeit, dass die Zutaten aus dem Loch in der Mixerabdeckung herausfliegen. Falls die Zutaten herausfliegen, wischen Sie diese mit einem trockenen Lappen auf.
- Betreiben Sie das Gerät nicht länger als die angegebene Betriebsdauer (2 min EIN, 2 min AUS).

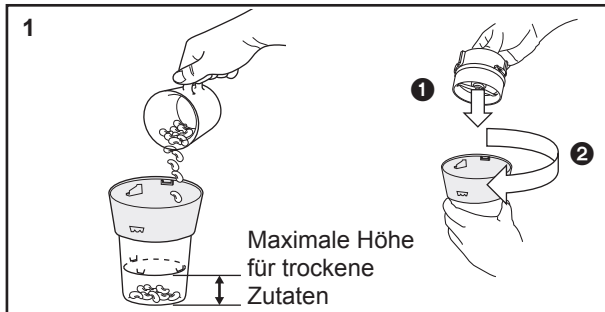
DE17

TROCKENMAHLWERK

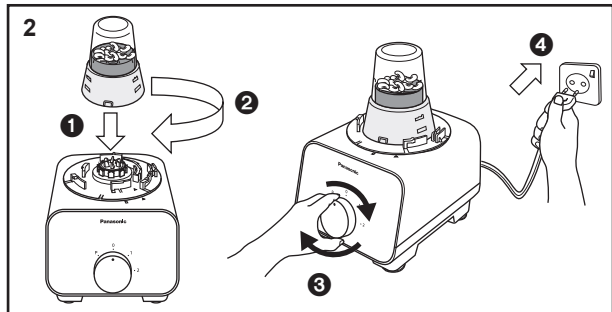
Vorbereitung der Zutaten für Trockenmahlwerk

Funktionsweise	Zutaten	Geschwindigkeit	Max Einmalgebrauch	Betriebszeit (ca.)	Zubereitungsart
Mahlen von	Kaffeebohnen	2	Bis zum max. Füllstand	~ 60 Sek.	-
	Pfeffer				

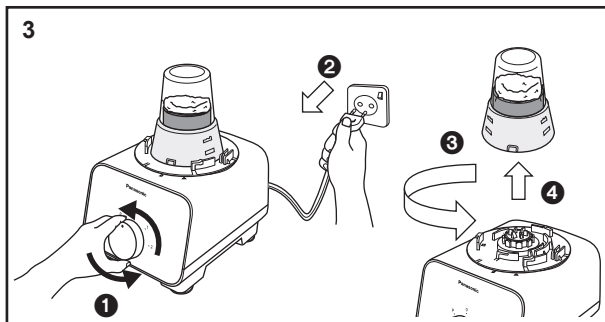
Anwendung: Trockenmahlwerk



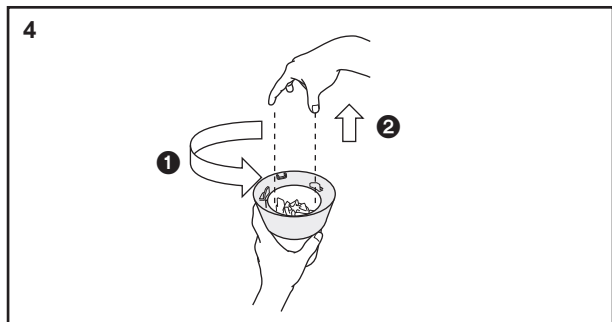
Drehen Sie den Mahlbehälter nach unten und geben Sie die Zutaten hinein. Platzieren Sie das Trockenmahlwerk auf dem Mahlgehäuse und drehen Sie es im Uhrzeigersinn bis Sie ein „Klicken“ hören. Stellen Sie sicher, dass die Rippen an der Außenfläche der Mahlbehälterbasis und der Innenfläche des Mahlbehälters fest eingreifen.



Platzieren Sie das Trockenmahlwerk auf dem Motorengehäuse. Drehen Sie das Trockenmahlwerk im Uhrzeigersinn bis Sie ein „Klicken“ hören. Stecken Sie den Stecker in die Steckdose und betätigen Sie den Drehschalter für die gewünschte Geschwindigkeit.



Nachdem die Verarbeitung abgeschlossen ist, drehen Sie den Drehschalter zurück auf AUS „0“ und ziehen Sie den Stecker aus der Steckdose. Entfernen Sie das Trockenmahlwerk vom Motorengehäuse und daraufhin entnehmen Sie den Inhalt.



Drehen Sie das Mahlwerkunterteil gegen den Uhrzeigersinn und heben Sie es vom Mahlbehälter ab.

Hinweis:

- Beim Entfernen der Zutaten, seien Sie vorsichtig mit der Mahl Klinge.
- Betreiben Sie das Gerät nicht länger als die angegebene Betriebsdauer (1 min EIN, 2 min AUS).
- Verbotene Zutaten: siehe Seite DE6.
- Betreiben Sie das Gerät nicht mit leerem Trockenmahlwerk.
- Überschreiten Sie beim Befüllen die Höchstkapazität nicht und verringern Sie die Zutaten, wenn das Gerät während des Betriebs unnormale Geräusche macht oder stark vibriert.

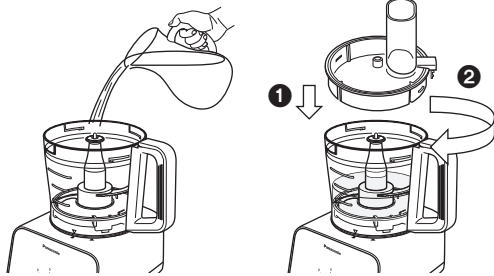
NACH GEBRAUCH

Reinigung

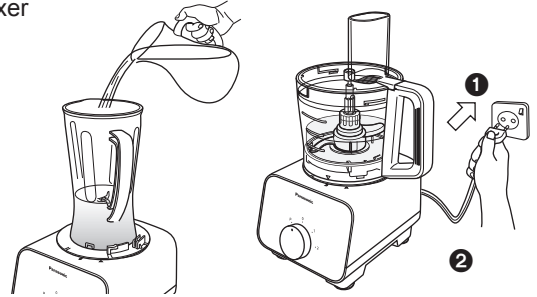
Vorwäsche

Das Vorwaschen ermöglicht eine einfachere Reinigung. Es kann für die Messerklinge und den Mixer benutzt werden. Folgen Sie den unteren Schritten für die Vorwäsche.

1 Küchenmaschine



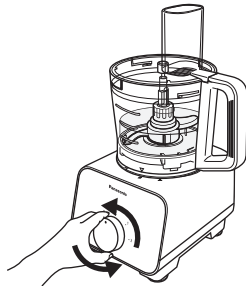
Mixer



Legen Sie das benutzte Zubehör in den Behälter, füllen Sie den Behälter mit Wasser, bis das Zubehör mit Wasser bedeckt ist (max. 500 ml). Legen Sie die Abdeckung auf den Behälter und drehen Sie sie im Uhrzeigersinn, bis Sie ein „Klicken“ hören.

Füllen Sie für den Mixer 500 ml Wasser in den Mixbehälter und decken Sie ihn mit der Behälterabdeckung zu. Stecken Sie den Stecker in die Steckdose und schalten Sie den Netzschalter ein.

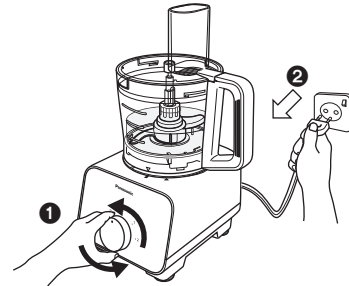
2



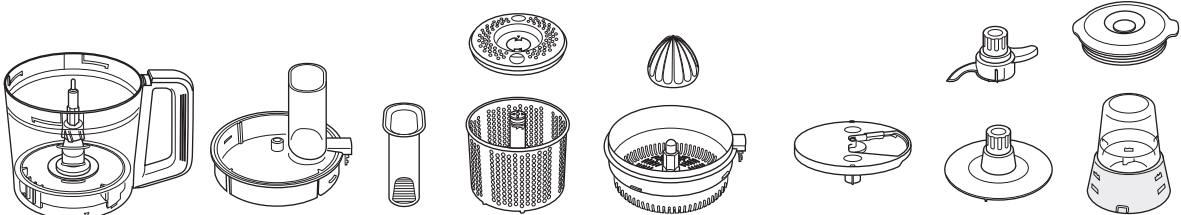
Küchenmaschine: Drehen Sie den Schalter auf „IMPULS“ 5 ~ 10 Mal.

Mixer: Drehen Sie den Schalter, sodass Sie die Geschwindigkeit 2 zu einstellen und nehmen Sie ihn für 10 ~ 20 Sekunden in Betrieb.

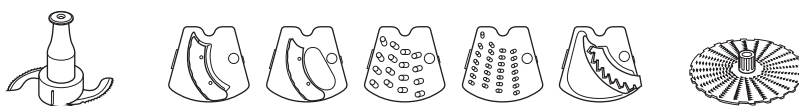
3



Drehen Sie den Drehschalter zurück auf AUS „0“ und ziehen Sie den Stecker aus der Steckdose. Entfernen Sie das Gerätezubehör und fahren Sie mit der Reinigung fort.



Waschen Sie diese Artikel, indem Sie sie unter fließendes Wasser halten. Verwenden Sie neutrale Reinigungsmittel, falls erforderlich. Trocknen Sie diese mit einem sauberen Tuch.



Waschen Sie diese Artikel, indem Sie sie unter fließendes Wasser halten und säubern Sie sie vorsichtig mit einer Bürste. Verwenden Sie neutrale Reinigungsmittel, falls erforderlich.

Hinweis:

- Diese Elemente sind extrem scharf und sollten während der Reinigung mit besonderer Sorgfalt behandelt werden. Vermeiden Sie es, mit diesen Elementen während der Reinigung an harte Gegenstände zu stoßen.
- Das Mahlwerkunterteil darf nicht gewaschen werden, verwenden Sie die Bürste, um es zu säubern.



NACH GEBRAUCH

Motorengehäuse / Gummifuß

Wischen Sie Schmutz oder Flecken mit einem sauberen, feuchten Tuch ab.

Hinweis:

- Vergewissern Sie sich, dass das Netzkabel ausgesteckt ist, bevor Sie das Motorengehäuse reinigen.
- Waschen Sie das Motorengehäuse nicht unter fließendem Wasser.
- Verwenden Sie niemals ätzende Flüssigkeiten (z.B. Alkohol, Verdüner etc.), um das Motorengehäuse zu reinigen.

Reinigung mit Geschirrspüler

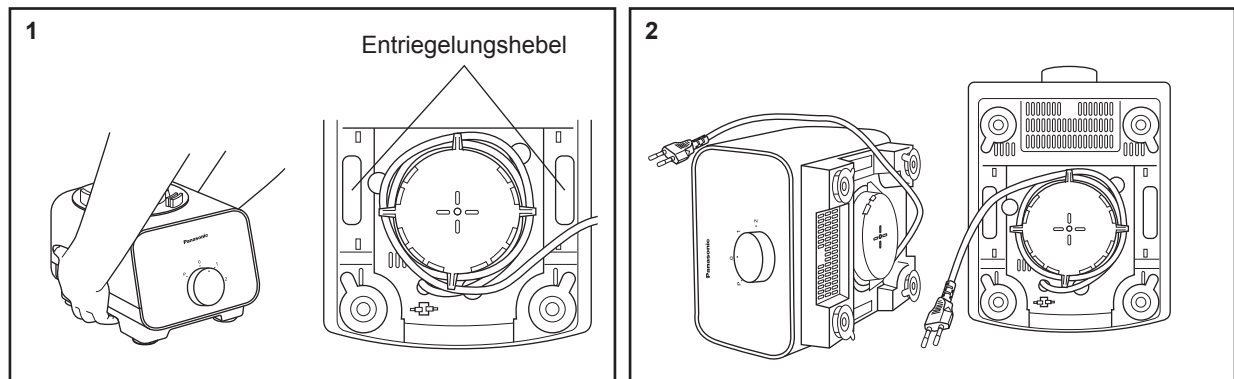
Behälter und Behälterabdeckung sind spülmaschinengeeignet.

Hinweis:

- Stellen Sie diese Artikel nicht in die Nähe der Spülmaschinen-Heizung, da hohe Temperaturen die Teile beschädigen könnten.

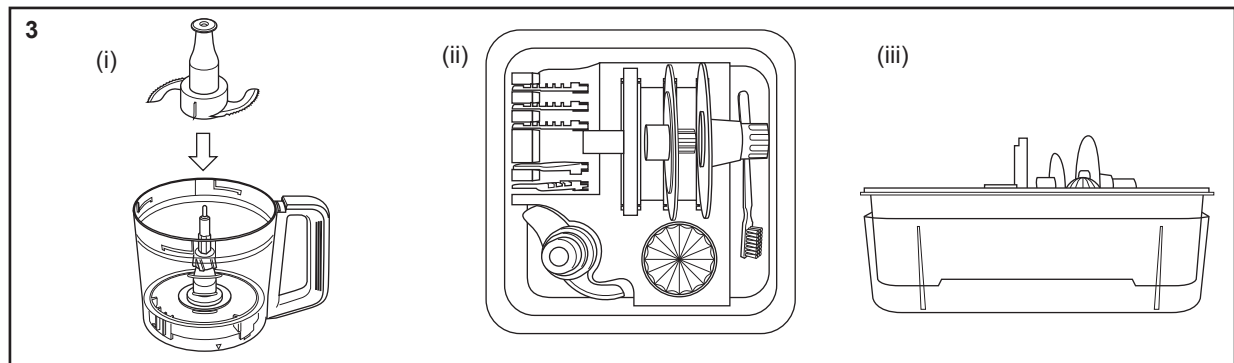
Aufstellort

Vergewissern Sie sich, dass jegliches Gerätezubehör und der Behälter vom Motorengehäuse vor dem Verstauen entfernt wurden.



Um den Gummifuß des Motorengehäuses zu entriegeln, drücken Sie gleichzeitig den Entriegelungshebel auf der unteren Seite des Motorengehäuses und heben Sie es ab, wie im Bild oben dargestellt.

Kippen Sie das Motorengehäuse auf eine Seite und wickeln Sie daraufhin das Stromkabel im Wicklungsbereich fast gänzlich auf und lassen Sie den Stecker an der Seite.



(i) Bewahren Sie die Messerklinge im Behälter auf. Zur Lagerung des übrigen Gerätezubehörs wurde eine Aufbewahrungsbox mitgeliefert. Verstauen Sie das Zubehör, so wie es die Verpackung erlaubt.

(ii) Liste des Zubehörs in der Aufbewahrungsbox: Knethaken, Zitruspresse, Dicker Schneideinsatz, Dünnere Schneideinsatz, Feiner Reibeinsatz, grober Reibeinsatz, Pommes-Frites-Schneider, Universaleinsatz, Raspelscheibe, Schlagsahne-Aufsatz und Bürste.

(iii) Setzen Sie den Speicher-Fall-Deckel unter dem Speicher-Fall die abgelassene Wasser aus den gewaschenen Anhängen zu sammeln.

Hinweis:

- Entsorgen Sie das flexible Kunststoffabdeckung nach dem Aufbewahrungsbehälter zu öffnen.

FEHLERBEHEBUNG

Bitte überprüfen Sie folgende Punkte, bevor Sie den Service aufsuchen.

Problem	Ursache und Maßnahme
Das Gerät lässt sich nicht einschalten.	<ul style="list-style-type: none">● Der Stecker ist lose in der Steckdose.<ul style="list-style-type: none">➔ Fest in die Steckdose einstecken.
Das Gerät lässt sich nicht einschalten, auch mit betätigtem Drehschalter.	<ul style="list-style-type: none">● Der Behälter, der Mixer oder das Trockenmahlwerk sind nicht richtig mit dem Motorengehäuse verriegelt.<ul style="list-style-type: none">➔ Stellen Sie sicher, dass die Dreiecksmarkierung auf dem Gerätezubehör mit der rechteckigen Markierung auf dem Motorengehäuse in einer Linie ist, wie auf S. DE9 dargestellt.● Die Behälterabdeckung oder die Zitruspresse sind nicht vollständig miteinander verriegelt.<ul style="list-style-type: none">➔ Sichern Sie die Behälterabdeckung oder das Filtersieb vollständig auf dem Behälter.● Die Zutaten haben sich verklemmt.<ul style="list-style-type: none">➔ Entfernen Sie die Zutaten vorsichtig und stellen Sie sicher, dass Sie die angegebenen Mengen verwendet haben.
Das Gerät stoppt plötzlich während des Betriebs.	<ul style="list-style-type: none">● Der Schutzschalter ist aktiviert. (siehe Seite DE8)<ul style="list-style-type: none">• Es wurden zu viele Zutaten hinzugefügt.<ul style="list-style-type: none">➔ Entfernen Sie die überschüssigen Zutaten und stellen Sie sicher, dass Sie die angegebenen Mengen verwendet haben.• Große Stücke oder harte Zutaten wurden verwendet.<ul style="list-style-type: none">➔ Stellen Sie sicher, dass die Zutaten in die angegebenen Größen geschnitten werden. Verwenden Sie keine harte Zutaten oder hochdichte Feststoffe.● Das Sicherheitsschloss wurde ausgelöst. (siehe Seite DE9)<ul style="list-style-type: none">• Unnormale Vibrationen während des Betriebes kann das Sicherheitsschloss außer Kraft setzen.<ul style="list-style-type: none">➔ Stellen Sie sicher, dass Sie die angegebenen Mengen verwendet haben.➔ Schließen Sie die Behälterabdeckung oder das Filtersieb fest auf dem Behälter und vergewissern Sie sich, dass der Behälter, der Mixer oder das Trockenmahlwerk fest mit dem Motorengehäuse verriegelt ist.
Beim Betrieb gibt es unnormale Vibrationen und Geräusche.	<ul style="list-style-type: none">● Die Gummifüße und/oder die Arbeitsplatte sind nicht sauber.<ul style="list-style-type: none">➔ Wischen Sie Schmutz oder Flecken mit einem sauberen, feuchten Tuch ab. Der Gummisaugfuß ist nur dann effektiv, wenn er auf einer sauberen, glatten und flachen Oberfläche angebracht wird.● Zur Verarbeitung wurden entweder zu viele Zutaten oder zu harte verwendet.<ul style="list-style-type: none">➔ Stellen Sie sicher, dass Sie die angegebenen Mengen verwendet haben, andernfalls verringern Sie die Menge.
Textur und Konsistenz der verarbeiteten Zutaten sind nicht zufriedenstellend.	<ul style="list-style-type: none">● Manche Zutaten können roh schwer zu verarbeiten sein, z.B. Kürbis.<ul style="list-style-type: none">➔ Es kann erforderlich sein, manche Zutaten vor der Verarbeitung vorzukochen, bis sie so weich sind, dass man sie z.B. mit einer Gabel leicht durchstechen kann.● Größe der Zutat entspricht nicht der Zubereitungsart.<ul style="list-style-type: none">➔ Bereiten Sie sie bitte nach der angegebenen Größe zu.● Die gleichzeitige Verarbeitung von manchen Zutaten kann zu Klumpen für die Tiefkühlfunktion führen.● Die Höchstmenge Zutaten sowie die Verarbeitungsdauer sind Richtwerte, weniger und unterschiedliche Zutaten ergeben andere Resultate.<ul style="list-style-type: none">➔ Verarbeiten Sie die Zutaten so lange, bis Sie die gewünschte Konsistenz erreicht haben.

Deutsch

TECHNISCHE DATEN

Modellname	MK-F500	
Netzspannung	Küchenmaschine	Mixer & Trockenmahlwerk
Leistungsaufnahme	220 - 240 V ~ 50 - 60 Hz	
Nennverbrauch	180 - 200 W	
Schalter	Drehschalter	
Anschlusswert	2 Minuten EIN, 4 Minuten AUS	Mixer: 2 Min. EIN, 2 Min AUS Trockenmahlwerk: 1 Min. EIN, 2 Min. AUS
	Mit Ausnahme der Angaben auf der Seite „Vorbereitung der Zutaten“.	
Abmessungen (ca.) (HxBxT):	435 x 264 x 265 mm	Mixer : 406 x 264 x 265 mm Trockenmahlwerk : 298 x 264 x 265 mm
Artikelgewicht (ca.)	3,1 kg	Mixer: 2,8 kg Trockenmahlwerk: 2,6 kg
Kapazität (ca.)	Behälterkapazität: 2,5 L Maximale Verarbeitungskapazität: Nur Flüssigkeiten= 1,5 L Nur Feststoffe = 600 g	Mixer: 1 L Trockenmahlwerk: 50 g (Kaffeebohnen)
	Mit Ausnahme der Angaben auf der Seite „Vorbereitung der Zutaten“.	
Gerätezubehör & Zusatzteile	Messerklinge, Raspelscheibe, Knethaken, Schlagsahne-Aufsatz, Salatschleuder, Universalauufsatz, Reibeeinsätze (grob & fein), Schneideeinsätzen (dick & dünn), Pommes-Frites-Schneider, Zitruspresse und Aufbewahrungsbox	Mixer, Trockenmahlwerk
Gemeinsames Zubehör	Bürste mit Spatel	
Spülmaschinengeeignete Teile	Behälter und Behälterabdeckung	
Luftschallemission	88 (dB (A) bei 1 pW)	88 (dB (A) bei 1 pW)



Entsorgung von Altgeräten

Nur für die Europäische Union und Länder mit Recyclingsystemen

Dieses Symbol, auf den Produkten, der Verpackung und/oder den Begleitdokumenten, bedeutet, dass gebrauchte elektrische und elektronische Produkte nicht in den allgemeinen Hausmüll gegeben werden dürfen.

Bitte führen Sie alte Produkte zur Behandlung, Aufarbeitung bzw. zum Recycling gemäß den gesetzlichen Bestimmungen den zuständigen Sammelpunkten zu.

Indem Sie diese Produkte ordnungsgemäß entsorgen, helfen Sie dabei, wertvolle Ressourcen zu schützen und eventuelle negative Auswirkungen auf die menschliche Gesundheit und die Umwelt zu vermeiden.

Für mehr Informationen zu Sammlung und Recycling, wenden Sie sich bitte an Ihren örtlichen Abfallentsorgungsdienstleister.

Gemäß Landesvorschriften können wegen nicht ordnungsgemäßer Entsorgung dieses Abfalls Strafgeelder verhängt werden.

TABLE DES MATIÈRES


	Page
CONSIGNES DE SÉCURITÉ	FR3 - FR5
INFORMATION IMPORTANTE	FR6
NOMS DES PIÈCES	FR7 - FR8
PROTECTION PAR DISJONCTEUR	FR8
VERROUILLAGE DE SÉCURITÉ	FR9
DÉMONTAGE.....	FR9
ROBOT DE CUISINE MULTIFONCTION	
(i) INTRODUCTION.....	FR10
(ii) LAME DU COUTEAU • LAME POUR PÉTRIR • LAME POUR FOUETTER • LAME POUR RÂPER	FR10 - FR12
– Préparation des Ingrédients	
– Mode d'emploi	
(iii) LAMES DE TRANCHAGE • LAMES DE BROYAGE • LAME À JULIENNE	FR13 - FR14
– Préparation des Ingrédients	
– Mode d'emploi	
(iv) ÉGOUTTOIR À SALADE	FR15
– Préparation des Ingrédients	
– Mode d'emploi	
(v) PRESSE-AGRUMES	FR16
– Préparation des Ingrédients	
– Mode d'emploi	
MIXEUR	
(i) INTRODUCTION.....	FR17
(ii) MIXEUR	FR17
– Préparation des Ingrédients	
– Mode d'emploi	
ACCESSOIRE DE BROYAGE À SEC	
(i) ACCESSOIRE DE BROYAGE À SEC	FR18
– Préparation des Ingrédients	
– Mode d'emploi	
APRÈS UTILISATION	FR19 - FR20
DÉPANNAGE	FR21
SPÉCIFICATIONS	FR22

CONSIGNES DE SÉCURITÉ (Veuillez vous assurer de suivre ces instructions.)

Suivez les consignes ci-dessous afin de prévenir les accidents ou blessures à la personne, et les dommages matériels.


■ **Les graphiques suivants indiquent le degré des dommages causés par une mauvaise utilisation.**

 **AVERTISSEMENT:** Indique de sérieuses blessures ou la mort.


 **ATTENTION:** Indique un risque de blessure ou de dommages matériels.

■ **Les symboles sont classés et expliqués comme suit.**

 Ce symbole indique une interdiction.

 Ce symbole indique les conditions préalables à suivre.

AVERTISSEMENT

-  ● **Ne pas endommager le Câble ou la prise.**
(Cela pourrait provoquer un choc électrique ou un incendie dû à un court-circuit.)
- **Ne pas utiliser l'appareil si le Câble ou la fiche est endommagée ou si la fiche est mal branchée à la prise.**
(Cela pourrait provoquer une électrocution ou un incendie dû à court-circuit.)
 - ➔ Si le Câble est endommagé, il doit être remplacé par le fabricant, son service après vente ou une personne ayant une qualification similaire afin d'éviter tout risque.
- **Ne pas brancher ou débrancher la prise avec des mains mouillées.**
(Cela pourrait provoquer une électrocution.)
- **Ne pas dépasser la tension mentionnée sur la prise et ne pas utiliser un courant alternatif autre que ceux énumérés sur l'appareil.**
(Cela pourrait provoquer une électrocution ou un incendie.)
 - S'assurer que la tension fournie à l'appareil est la même que celle de l'alimentation locale.
 - Brancher d'autres appareils dans la même prise électrique peut provoquer une surchauffe.
- **Ne pas plonger l'appareil dans l'eau ou l'asperger avec de l'eau.**
(Cela pourrait provoquer une électrocution ou un incendie dû à un court-circuit.)
- **Ne pas démonter, réparer ou modifier l'appareil.**
(Cela pourrait provoquer un incendie, une électrocution ou des blessures.)
 - ➔ Contacter le service client pour la réparation.
- **Ne pas insérer d'objets dans la fente ou l'interstice, en particulier les objets métalliques tels que les broches ou les câbles.**
(Cela pourrait provoquer une électrocution ou un dysfonctionnement.)
 - Notamment des objets métalliques tels que des broches ou des fils.
- **Ne pas remplacer les pièces de l'appareil avec des pièces de rechange autres que les pièces authentiques de ce produit.**
(Cela pourrait provoquer des blessures, une électrocution ou un incendie.)
- **N'essayez pas d'enlever le couvercle lorsque l'appareil fonctionne.**
(Cela peut causer des blessures.)
- **N'utilisez pas d'eau chaude (plus de 60 °C) pour nettoyer l'appareil ou le feu pour le sécher.**
(Cela peut provoquer des brûlures ou un dysfonctionnement.)

AVERTISSEMENT

- **Ne placez pas des ingrédients très chauds (plus de 60 °C) dans le Bol ou le Récipient du mixeur.**
(Cela peut causer des blessures ou un dysfonctionnement.)
 - **Ne faites pas fonctionner sans le Couvercle du mixeur correctement en place sur le Récipient du mixeur.**
(Cela peut causer des blessures.)
 - **Ne mettez pas votre doigt ou des ustensiles comme une cuillère, une fourchette, etc., dans le Bol ou le Récipient du mixeur pendant le fonctionnement.**
(Cela peut causer des blessures, un choc électrique ou un incendie causé par un court-circuit.)
 - **Ne poussez pas la Goupille de sécurité ni le Levier de sécurité avec des instruments, bâtons, etc. car l'appareil pourrait être activé.**
(Cela peut causer des blessures.)
-
- **Cet appareil n'est pas destiné à être utilisé par des enfants. Garder le produit et son câble hors de la portée des enfants. Les appareils peuvent être utilisés par des personnes dont les capacités physiques, sensorielles ou mentales sont réduites ou qui manquent d'expérience et de connaissances si elles sont surveillées ou instruites sur l'utilisation de l'appareil d'une manière sûre et si elles comprennent les dangers impliqués. Les enfants ne doivent pas jouer avec l'appareil.**
(Cela pourrait provoquer une brûlure, des blessures ou une électrocution.)
 - **Insérer fermement la Fiche dans la prise.**
(Sinon, cela pourrait provoquer une électrocution et un incendie dû à la chaleur qui peut se générer autour de la prise.)
 - **Nettoyer régulièrement la Fiche.**
(Une Fiche sale peut causer une isolation insuffisante en raison de l'humidité, et peut provoquer un incendie.)
 - **Lorsqu'un fonctionnement anormal ou une dégradation se produit, stopper immédiatement l'utilisation de l'appareil et le débrancher.**
(Cela pourrait provoquer de la fumée, un incendie ou une électrocution.)
Exemples d'événement anormal ou de dégradation.
 - La Fiche et le Câble deviennent anormalement chauds.
 - Le Câble est endommagé ou ne conduit plus le courant.
 - Le Boîtier du moteur est déformé ou anormalement chaud.
 - ➔ Débrancher immédiatement l'appareil et contacter le service client pour la vérification ou la réparation.
 - **Tenir la prise pour la débrancher. Ne jamais tirer sur le Câble.**
(Sinon, cela pourrait provoquer une électrocution ou un incendie dû à un court-circuit.)
 - **Soyez prudent si un liquide chaud est versé dans le Bol ou le Récipient du mixeur car il peut être éjecté de l'appareil en raison d'un coup de vapeur.**
(Cela peut provoquer des brûlures.)

ATTENTION

- **Ne pas laisser l'appareil sans surveillance lorsqu'il est en cours d'utilisation.**
(Cela pourrait provoquer un incendie ou des brûlures.)
 - L'éteindre une fois l'utilisation finie.
- **Ne pas utiliser l'appareil dans les lieux suivants.**
 - Un lieu où se trouve une surface inégale, un tapis ou linge de table non résistant à la chaleur, etc.
(Cela pourrait provoquer un incendie ou des blessures.)
 - Un lieu où il peut être éclaboussé avec de l'eau ou situé près d'une source de chaleur.
(Cela pourrait provoquer une électrocution ou une fuite de courant.)
- **Ne traitez pas plus que la capacité maximale indiquée sur chaque conteneur, respectivement. Suivez la quantité d'ingrédient recommandée pour le traitement.**
(Cela peut provoquer des blessures.)
- **Ne faites pas fonctionner en continu pendant une trop longue période. Il est recommandé de laisser l'appareil reposer un certain temps après le fonctionnement.**
(Cela peut provoquer des brûlures.)

Fonction	Temps de fonctionnement (minutes)	Temps de repos (minutes)
Robot de cuisine multifonction	2	4
Mixeur	2	2
Accessoire de broyage à sec	1	2

* À l'exception des « Préparatifs ingrédient » énoncés dans ce Mode d'emploi.

- **Toujours enlever l'appareil de l'alimentation s'il est laissé sans surveillance et avant le montage, le démontage ou le nettoyage.**
(Cela peut causer une brûlure ou blessure.)
- **Retirez le Bol, le récipient du mixeur et le récipient du Broyeur avant de soulever le Boîtier du moteur de la table.**
(Cela peut provoquer des blessures.)
- **Eteindre l'appareil et débrancher l'alimentation électrique avant de changer les pièces individuelles qui se déplacent pendant l'utilisation.**
(Cela pourrait provoquer des blessures.)
- **Lorsque vous transportez l'appareil, veillez à tenir le Boîtier du moteur avec les deux mains. Ne transportez pas en tenant seulement le Bol ou le récipient du mixeur ou le récipient du broyeur.**
(Cela peut causer des blessures.)
- **Si la lame de coupe du mixeur se coince, arrêter le Mixeur, puis débranchez. N'insérez pas votre doigt dans le récipient du mixeur. Utilisez une spatule en caoutchouc pour enlever les ingrédients qui bloquent la lame de coupe du mixeur.**
(Cela peut causer des blessures.)
- **Il faut faire attention lors de la manipulation des lames tranchantes, lorsque vous videz le Bol ou le Récipient du mixeur et lors du nettoyage. (par exemple, Lame du couteau, Lames pour tranche, etc.)**
(Cela peut provoquer des blessures.)

Information importante

- **Ne placez pas l'appareil dans les endroits suivants :**
 - Dans un endroit où l'appareil est exposé à une humidité ou une température excessive, ou à lumière directe du soleil.
(Cela peut provoquer des dysfonctionnements.)
 - Tout emplacement à forte ou basse température comme le réfrigérateur, le congélateur, les micro-ondes ou le four.
(Cela peut entraîner un dysfonctionnement ou une rupture.)
- **Ne traitez pas d'ingrédients durs (par exemple, la viande dure, la viande avec des os) ou visqueux.**
(Cela peut provoquer des dysfonctionnements.)

Ingrédients interdits :

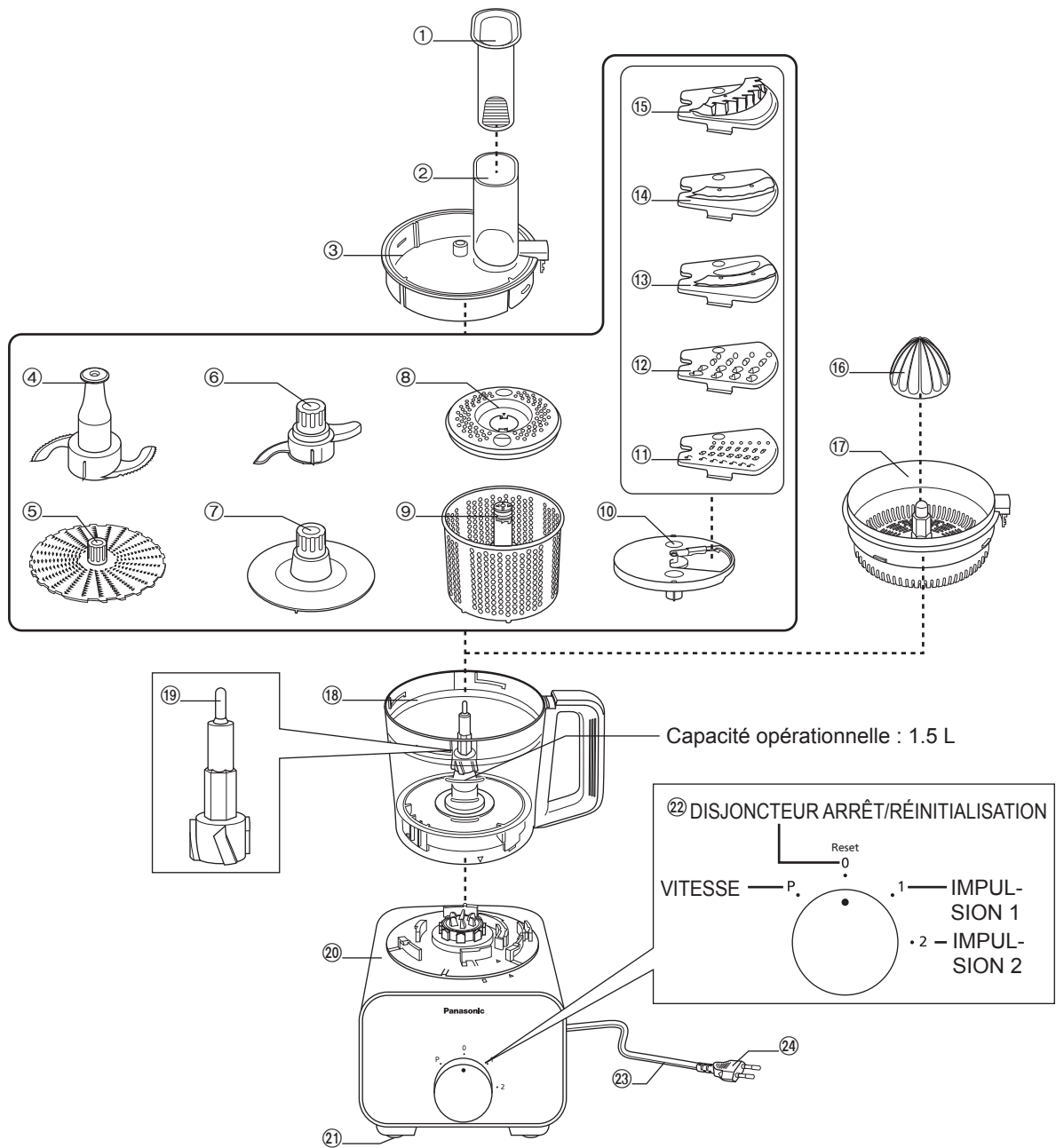
Accessoires	Description
Lame du couteau	Ingrédients durs, ingrédients visqueux, p. ex. grains de café, fèves de soja séchées, aliments surgelés, poulpe séché, etc.
Lames pour couper lames pour déchiqueter lames à julienne	Ingrédients avec des concentrations élevées de fibres dures, ingrédients visqueux, ingrédients trop mous, par exemple, légumes durs, surgelés, jambon, curcuma, gingembre, laitue, tomate, pêche, chocolat etc.
Lame pour pétrir	Ingrédients qui ne conviennent pas à fabrication de pâte, par exemple viande, légumes, noix, sauces, pâtes à tartiner.
Lame pour fouetter	Tous les ingrédients à part les blancs d'œufs et la crème fraîche.
Lame pour râper	Ingrédients visqueux, ingrédients avec concentrations de fibres dures élevées, ingrédients trop petits et minces, par exemple, igname, pomme de terre, céleri, poireau, noix de pin, etc.
Égouttoir à salade	Grands ingrédients en morceaux, ingrédients mous et fragiles, par exemple, grosse carotte ou pomme de terre en morceaux, tomate, tofu, pâtes, nouilles, etc.
Presse-agrumes	Tous les autres ingrédients à part les agrumes, par exemple pomme, kiwi, etc.
Mixeur	Ingrédients durs, ingrédients très collants, ingrédients à faible teneur en eau, par exemple curcuma, soja sec, surgelés, viandes, poissons, pommes de terre bouillies, ou des glaçons, etc.
Accessoire de broyage à sec	Noix dures, noix séchées, ingrédients avec concentration élevée de fibres dures, ingrédients humides, liquides, par exemple, noix diverses, raisins secs, viande, légumes, oeufs durs, curcuma, etc.

Avant l'utilisation :

Toujours faire fonctionner l'appareil sur une surface propre et sèche, plane, rigide et lisse, et nettoyer le pied en caoutchouc (p.FR7) avant de l'utiliser pour faire en sorte que l'aspiration des pieds en caoutchouc est à une performance optimale.

NOMS DES PIÈCES

Robot de cuisine multifonction



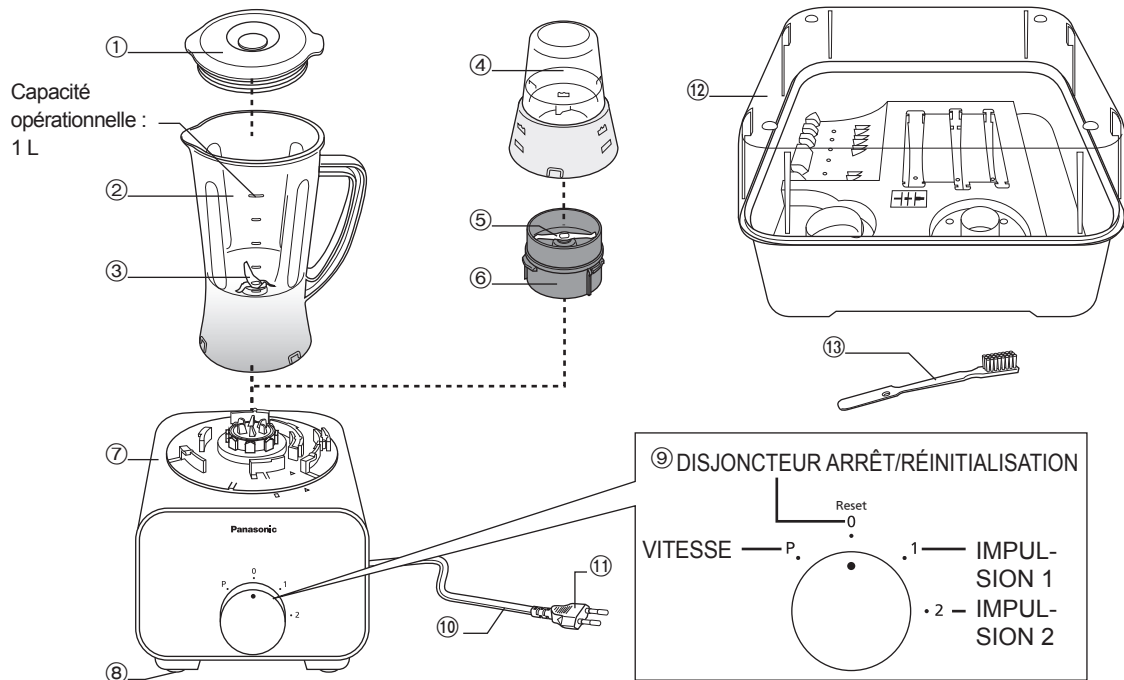
- | | |
|-----------------------------|------------------------------|
| 1. Poussoir à aliments | 13. Lame pour tranches fines |
| 2. Tube d'alimentation | 14. Lame pour tranches épais |
| 3. Couvercle du bol | 15. Lame à julienne |
| 4. Lame du couteau | 16. Cône pour agrumes |
| 5. Lame pour râper | 17. Presse-agrumes |
| 6. Lame pour pétrir | 18. Bol |
| 7. Lame pour fouetter | 19. Axe d'entraînement |
| 8. Couvercle de l'égouttoir | 20. Boîtier du moteur |
| 9. Égouttoir à salade | 21. Pied en caoutchouc |
| 10. Socle de lame | 22. Cadran Rotatif |
| 11. Lame pour broyage fin | 23. Cordon |
| 12. Lame pour broyage épais | 24. *Prise |

*La forme de la prise peut être différente de l'illustration.

FR7

NOMS DES PIÈCES

Mixeur, accessoire de broyage à sec et Accessoires



- | | | |
|----------------------------|---------------------------------|------------------------|
| 1. Couvercle du mixeur | 6. Base du récipient de broyage | 11. *Prise |
| 2. Récipient du mixeur | 7. Boîtier du moteur | 12. Boîte de rangement |
| 3. Lame de coupe du mixeur | 8. Pied en caoutchouc | 13. Brosse |
| 4. Récipient du broyeur | 9. Cadran Rotatif | |
| 5. Lame de coupe du moulin | 10. Cordon | |

*La forme de la prise peut être différente de l'illustration.

PROTECTION PAR DISJONCTEUR

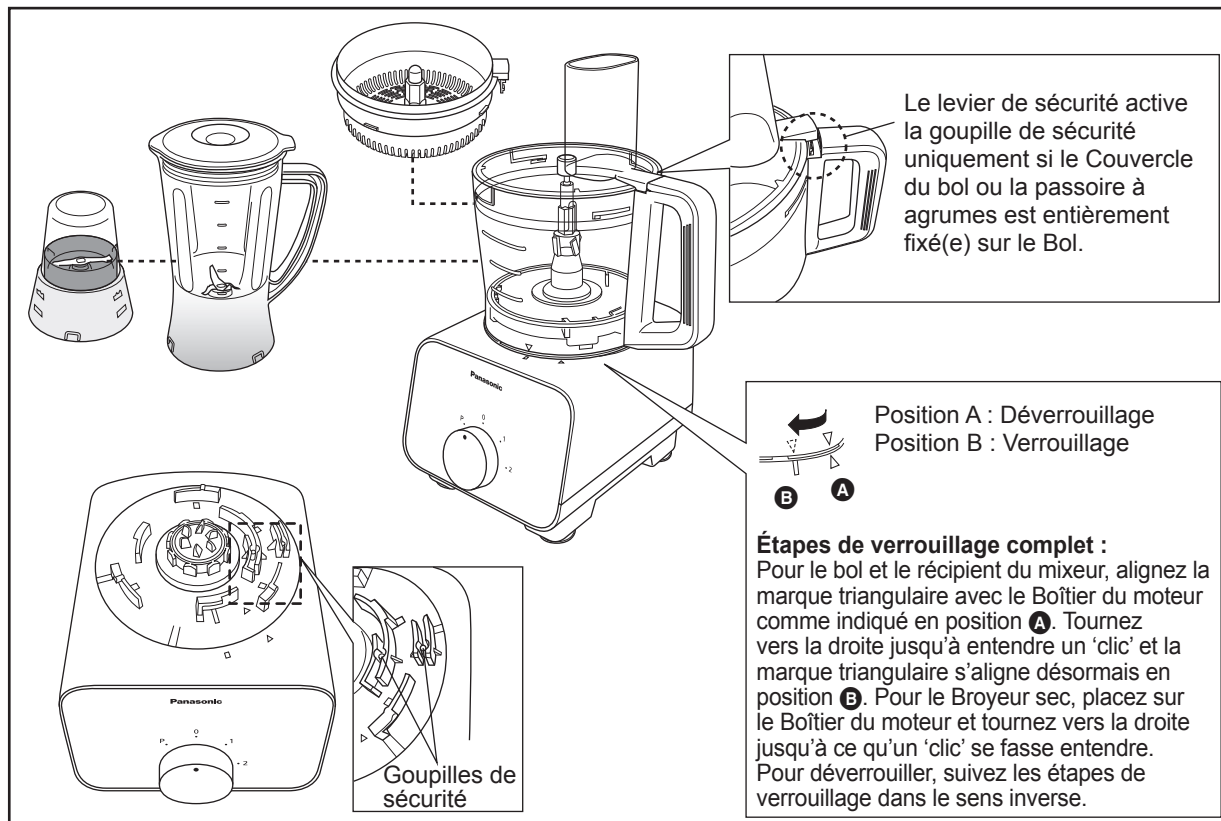
Cet appareil dispose de la fonction Disjoncteur pour arrêter le moteur quand ce dernier est en surcharge. Lorsque le disjoncteur arrête le moteur pour cause de surcharge, mettez le cadran rotatif en position OFF "0" et suivez les instructions ci-dessous :

1. Réduire les ingrédients à moins de la moitié et reprenez l'opération.
2. S'il ne démarre toujours pas, mettez le cadran rotatif en position OFF "0" à nouveau et reprenez l'opération.
3. Si tout le reste échoue, veuillez contacter votre centre de service le plus proche.

VERROUILLAGE DE SÉCURITÉ

La goupille de sécurité est conçue pour empêcher l'appareil de s'allumer lorsque

- Le Couvercle du bol ou le presse-agrumes et le Bol ne sont pas complètement verrouillés les uns aux autres.
- Les Bol, Récipient du mixeur ou Récipient du broyeur ne sont pas complètement verrouillés au Boîtier du moteur.



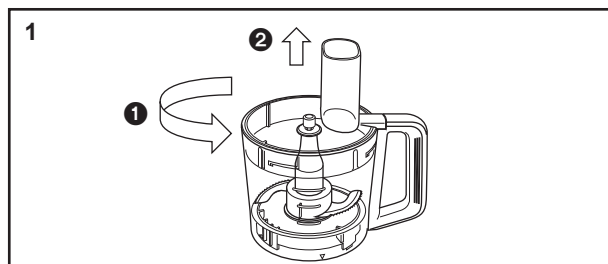
Note :

- Ne poussez pas les goupilles de sécurité et le levier de sécurité avec un instrument, bâton, etc.
- Ne versez pas de liquides ou d'ingrédients dans la zone des goupilles de sécurité et du levier de sécurité.
- Gardez la zone des goupilles de sécurité et du levier de sécurité propre pour éviter que des particules étrangères ne s'y accumulent.

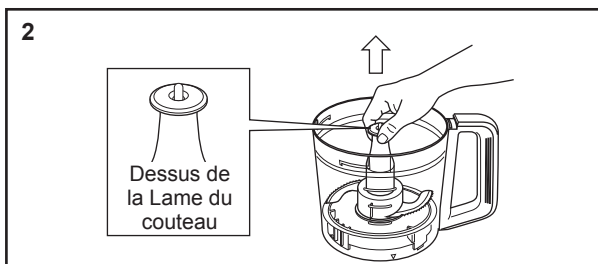
Les actions ci-dessus assureront le bon fonctionnement des goupilles de sécurité et du Levier de sécurité. Si elles ne sont pas suivies, cela endommagera les pièces liées aux goupilles de sécurité et au levier de sécurité.

DÉMONTAGE

Démontage de l'emballage



Tournez le Couvercle du bol vers la gauche et soulevez du Bol.



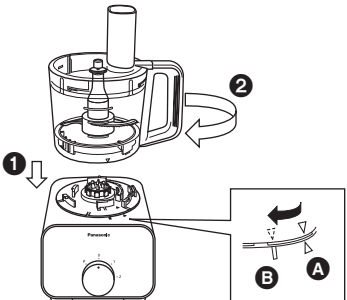
Tenez le haut de la Lame du couteau et soulevez pour la retirer du Bol.

Note :

Méfiez-vous des arêtes vives de la Lame du couteau lors de son retrait du Bol.

ROBOT DE CUISINE MULTIFONCTION -INTRODUCTION-

Il est fortement recommandé de nettoyer toutes les pièces et accessoires joints et de bien les sécher avant d'utiliser l'appareil pour la première fois, voir la méthode de nettoyage pages FR19 - FR20. Débranchez l'unité lors de l'assemblage. Avant de brancher l'appareil, vérifiez que le cadran rotatif est éteint. Veuillez vous reporter à la page FR20 sous la rubrique « Stockage » sur la façon de repositionner le Boîtier du moteur.



1. Placez le Bol sur le Boîtier du moteur jusqu'à ce que la marque s'aligne comme montré en **A**.
2. Tournez le Bol dans le sens horaire jusqu'à ce qu'un « clic » se fasse entendre. Assurez-vous que la marque en triangle sur le Bol est alignée avec la marque de rectangle sur le Boîtier du moteur comme on le voit dans la position **B**.

Pour démonter, suivez les étapes d'assemblage dans le sens inverse.




ROBOT DE CUISINE MULTIFONCTION - LAME DU COUPEAU • LAME POUR PÉTRIR • LAME POUR FOUETTER • LAME POUR RÂPER-

Préparations des ingrédients pour la Lame du couteau

Fonction	Ingrédient	Vitesse	Quantité	Temps de fonctionnement (env.)	Méthode de préparation
Hacher	Viande	2	50 ~ 400 g	5 ~ 50 sec	Retirez la peau et les os, coupez en cubes de 2 à 3 cm.
	Poisson		50 ~ 500 g	3 ~ 20 sec	
Émincer	Oignon	1 (Intermittent)	150 ~ 500 g	4 ~ 15 fois	Pelez la peau, coupez les en cubes de 2 à 3 cm.
	Ail	2	5 ~ 500 g	10 ~ 30 sec	Pelez la peau.
	Carotte		50 ~ 450 g	10 ~ 30 sec	Pelez la peau, coupez les en cubes de 2 à 3 cm.
	Persil plat		5 ~ 70 g	10 ~ 40 sec	Retirez la tige.
	Champignon		30 ~ 250 g	3 ~ 15 sec	Coupez en cubes de 2 à 3 cm.
Écraser	Parmesan	2	10 ~ 200 g	10 ~ 60 sec	Coupez en cubes de 2 à 3 cm.
Purée	Patates bouillies	VITESSE	100 ~ 400 g	3 ~ 15 fois	Coupez en cubes de 2 à 3 cm. Ne surtraitez pas.
Congeler	Banane congelée	2	250 ~ 450 g	30 ~ 180 sec	1 à 2 cm de largeur, à moitié congelé, qu'un cure-dents peut percer.
Concassage de glaçons	Cubes de glace	2	~ 10 pièces	~ 20 sec	Cubes de glace de 2 à 3 cm.
Moudre	Cacahuètes	2	10 ~ 200 g	15 ~ 30 sec	Retirer la coquille et la peau des cacahuètes.
Pâtes	Cacahuètes grillées	2	100 ~ 400 g	5 ~ 10 min	Retirer la coquille et la peau des cacahuètes.
Miette	Pain blanc	2	10 ~ 200 g	15 ~ 60 sec	Coupez du pain frais en 6 à 8 morceaux.

ROBOT DE CUISINE MULTIFONCTION - LAME DU COUTEAU • LAME POUR PÉTRIR • LAME POUR FOUETTER • LAME POUR RÂPER-



Préparations des ingrédients pour la Lame du couteau

Fonction	Ingrédient	Vitesse	Max Utilisation unique	Temps de fonctionnement (env.)	Méthode de préparation
Pétrir (pour des pâtisseries)	Farine	2	~ 300 g	~ 120 sec	 Utilisez pour faire des confiseries comme des bonbons et des gâteaux.
Centrifugeuse	Fruit, Liquide etc.	2	~ 1,500 mL	~ 120 sec	 Coupez en cubes de 2 à 3 cm. Traitez les solides en premier. Remplissez le liquide jusqu'au total ne dépassant pas 1 500 mL. N'ajoutez pas plus de 10 glaçons pendant le traitement.
Mixeur à soupes	Légumes bouillis, Liquide, etc.	2	~ 1,500 mL	~ 120 sec	 Coupez en cubes de 2 à 3 cm. Traitez les solides en premier. Remplissez le liquide jusqu'au total ne dépassant pas 1 500 mL.


Préparations des Ingrédients pour la lame pour pétrir

Fonction	Ingrédient	Vitesse	Max Utilisation unique	Temps de fonctionnement (env.)	Méthode de préparation
Pétrir (pour du pain)	Farine à pain	2	300 g	~ 120 sec	Mélangez de l'eau avec de la levure et ajoutez-la au cours du traitement de la pâte (l'ajout de levure directement avant le traitement peut entraîner un effritement et le levage prématuré). Si un mélange de pâte paraît toujours friable après le traitement initial, ajoutez 1 cuillère à café d'eau dans le mélange. Lorsque de trop grandes vibrations se produisent parce que le mélange de pâte s'enroule autour de l'axe d'entraînement, ajoutez 1 cuillère de farine. Ne retraitez pas la pâte une fois le processus terminé, si la pâte n'est pas satisfaisante, pétrissez à la main.
	Liquide		160 ~ 200 mL		

Préparations des Ingrédients pour la lame pour fouetter

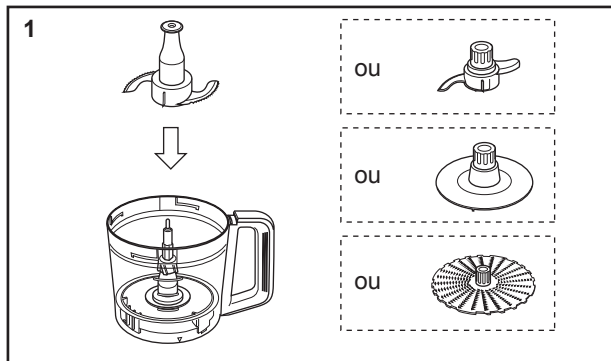
Fonction	Ingrédient	Vitesse	Max Utilisation unique	Temps de fonctionnement (env.)	Méthode de préparation
Fouet	Blanc d'œuf	2	2 ~ 6 pièces	50 sec ~ 90 sec	 Séparer le blanc du jaune pour une meringue lisse.
	Cream		100 ~ 300 mL	15 sec ~ 2 min	 Utilisez la crème fraîche à 35% de teneur en matières grasses ou plus à 5 °C.

Préparations des Ingrédients pour la lame pour râper

Fonction	Ingrédient	Vitesse	Max Utilisation unique	Temps de fonctionnement (env.)	Méthode de préparation
Grille	Carotte	2	200 g	-	 Coupez en cubes de 2 à 3 cm.
	Pomme		200 g		
	Concombre		200 g		

ROBOT DE CUISINE MULTIFONCTION - LAME DU COUTEAU • LAME POUR PÉTRIR • LAME POUR FOUETTER • LAME POUR RÂPER-

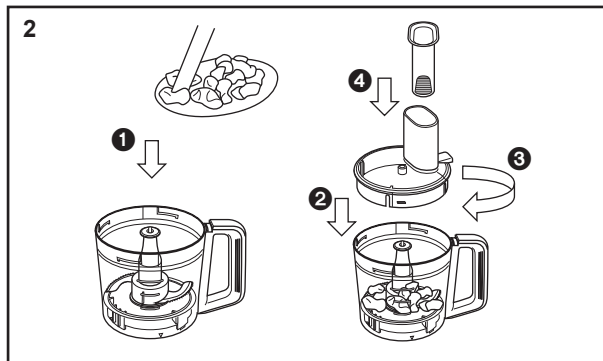
Comment l'utiliser : Lame du couteau • Lame pour pétrir • Lame pour fouetter • Lame pour râper



Après avoir fixé le Bol au Boîtier du moteur, placez la Lame du couteau (Lame pour pétrir ou Lame pour fouetter ou Lame pour râper) dans le Bol.

Note :

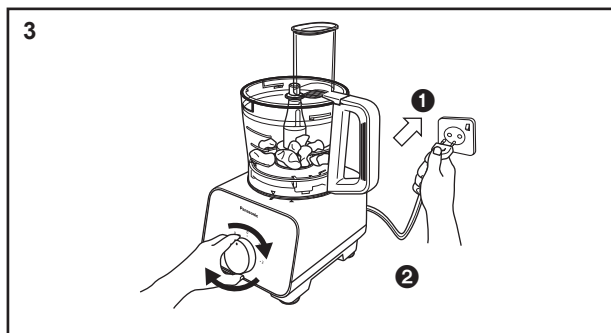
Pour la Lame du couteau, assurez-vous que l'axe d'entraînement est en saillie à partir de Lame du couteau après insertion.



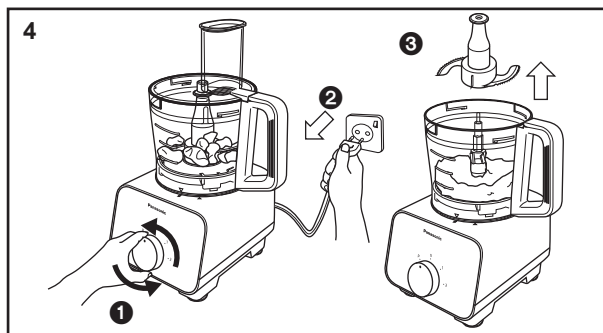
Placez les ingrédients dans le bol. Placez le Couvercle du bol sur le dessus du Bol et tournez vers la droite jusqu'à ce qu'un « clic » se fasse entendre. Insérez le Poussoir à aliments dans le tube d'alimentation. Fixez l'ensemble du Bol sur le Boîtier du moteur comme illustré page FR10.

Note :

Pour la Lame à râper, mettez les ingrédients sur le dessus de la lame et répartissez-les uniformément.



Branchez la fiche dans la prise et tournez le cadran rotatif pour sélectionner la vitesse souhaitée (voir « Préparation des ingrédients » pages FR10-FR11).

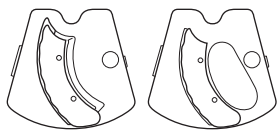


Une fois que le traitement est terminé, retournez le cadran rotatif en position OFF "0" et débranchez de la prise. Retirez la Lame du couteau du Bol avant de retirer les ingrédients transformés.

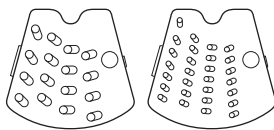
Note :

- Assurez-vous toujours que la Lame du couteau est insérée avant d'ajouter les ingrédients dans le Bol.
- Ne dépassez pas la quantité indiquée d'ingrédients pour pétrir car une vibration anormale pourrait se produire.
- N'insérez pas d'ingrédients très chauds à traiter dans le Bol. Assurez-vous toujours que les ingrédients sont suffisamment refroidis avant de les insérer, comme des pommes de terre bouillies.
- Pour faire un jus, remplissez d'abord le Bol d'ingrédients solides, suivis par des ingrédients liquides sans que le volume total ne dépasse 1 500 ml.
- Lorsque vous transformez des ingrédients en liquides avec des glaçons, ne mettez pas plus de 10 cubes de glace (env. 170 g).
- Ne dépassez pas la quantité indiquée d'ingrédients pour la Lame à pétrir car une vibration anormale pourrait se produire.
- Ne mélangez pas trop la crème à fouetter, elle peut se décomposer et former des paquets de beurre.
- Utiliser différentes marques de crème à fouetter aura des résultats variables. Il est recommandé de traiter jusqu'à ce que la crème soit suffisamment fouettée.
- Selon la vitesse et la quantité des ingrédients utilisées, il y aura d'importantes vibrations. Dans ce cas, maintenez le Couvercle du bol avec les deux mains pour le soutenir lors de son fonctionnement.
- Pour le pétrissage, ne retraitez pas une fois que la pâte s'est formée la première fois.
- De grandes quantités de beurre et de sucre dans la pâte peuvent provoquer des vibrations anormales lors de l'utilisation de la lame de malaxage.
- Utiliser de la farine autre que la farine à pain avec la lame pour pétrir peut provoquer des vibrations anormales. Avant traitement, retirez 1 à 2 c. à soupe d'eau de la quantité totale fixée et rajoutez l'eau petit à petit au cours du traitement si nécessaire.

ROBOT DE CUISINE MULTIFONCTION - LAMES DE TRANCHAGE • LAMES DE BROYAGE • LAME À JULIENNE -



Lames pour trancher (épais/fin)
- utilisée pour trancher les ingrédients

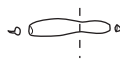






Lames pour broyage (gros/fin)
- utilisée pour broyage et gratter les ingrédients



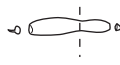
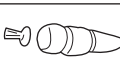


Lame à julienne
- utilisée pour faire des frites et broyage les ingrédients en cubes.

Préparations des Ingrédients pour les lames pour trancher (épais/fin)

Fonction	Ingrédient	Vitesse	Max Utilisation unique	Temps de fonctionnement (env.)	Méthode de préparation
Tranche	Concombre	2	700 g	-	    
	Oignon		700 g		
	Carotte		600 g		
	Pomme de terre		600 g		
	Chou		400 g		

Coupez les ingrédients jusqu'à ce qu'ils soient assez petits pour tenir dans le tube d'alimentation.



Préparations des Ingrédients pour les lames pour broyage (gros/fin)

Fonction	Ingrédient	Vitesse	Max Utilisation unique	Temps de fonctionnement (env.)	Méthode de préparation
Broyage	Concombre	2	500 g	-	  
	Carotte		500 g		
	Pomme de terre		650 g		
	Fromage		500 g		

Coupez les ingrédients jusqu'à ce qu'ils soient assez petits pour tenir dans le tube d'alimentation.

Coupez les ingrédients jusqu'à ce qu'ils soient assez petits pour tenir dans le tube d'alimentation. Ne pas utiliser des ingrédients durs comme le parmesan.

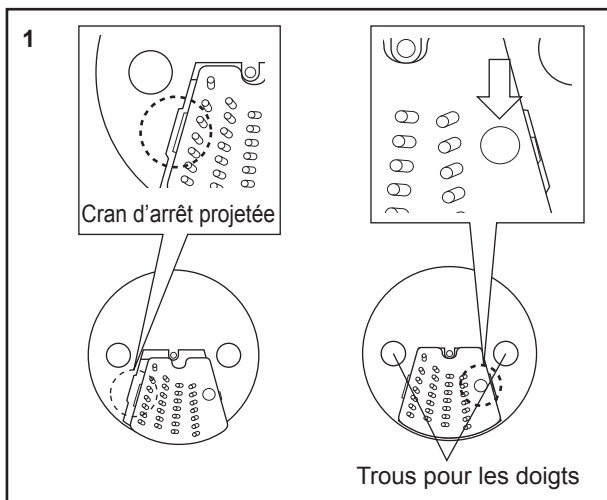
Préparations des Ingrédients pour la Lame à julienne

Fonction	Ingrédient	Vitesse	Max Utilisation unique	Temps de fonctionnement (env.)	Méthode de préparation
Frites	Pomme de terre	2	800 g	-	 
Broyage	Chou		500 g		

Coupez les ingrédients jusqu'à ce qu'ils soient assez petits pour tenir dans le tube d'alimentation.

ROBOT DE CUISINE MULTIFONCTION - LAMES DE TRANCHAGE • LAMES DE BROYAGE • LAME À JULIENNE -

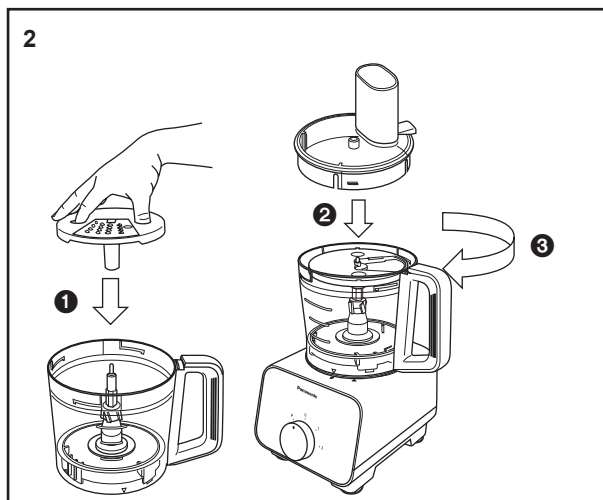
MODE D'EMPLOI : Lames pour trancher (épais/fin), Lames pour broyage (gros/fin), Lame à julienne



Montez la lame souhaitée sur le socle de lame et assurez-vous qu'elle est correctement installée. Poussez vers le bas sur le creux de la lame comme montré ci-dessus jusqu'à ce qu'un 'déclic' se fasse entendre.

Note :

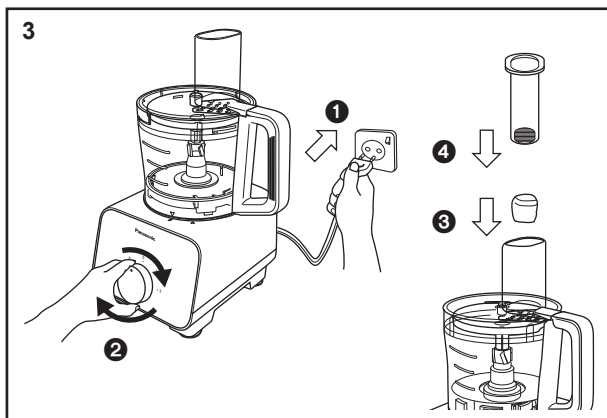
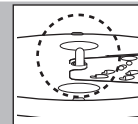
- Méfiez-vous des arêtes vives sur les lames lorsque vous l'insérez dans le Socle de lame.
- Pour retirer la lame, retournez le Socle de lame et poussez vers le bas sur le côté inverse du creux de la lame.



Insérez votre doigt et le pouce dans les trous pour les doigts pour saisir le Socle de lame. Placez le Socle de lame assemblé dans le Bol. Fixez le Bol au Boîtier du moteur comme vu page FR9, puis placez le Socle de lame dans le Bol. Placez le Couvercle du bol sur le dessus du Bol et tournez vers la droite jusqu'à ce qu'un « clic » se fasse entendre.

Note:

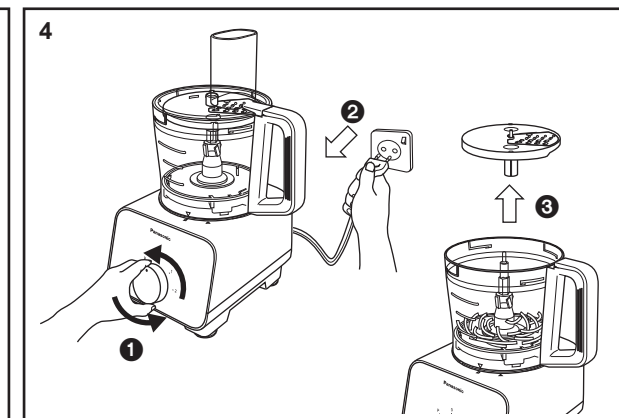
Assurez-vous que l'axe d'entraînement est en saillie du Socle de lame après l'insertion.



Branchez la fiche dans la prise et tournez le cadran rotatif pour sélectionner la vitesse souhaitée (voir « Préparation des ingrédients » page FR13). Insérez les ingrédients dans le tube d'alimentation et poussez vers le bas avec le Poussoir à aliments.

Note :

- Lorsque vous utilisez des ingrédients longs et minces, placez-les contre la paroi avant du tube d'alimentation, comme indiqué sur la figure 1, pour le soutien pendant le fonctionnement afin d'éviter un traitement inégal.
- Débarrassez-vous des morceaux restants d'ingrédients non transformés.
- Alignez les ingrédients riches en fibres, comme indiqué sur la figure 2 pour un résultat de traitement cohérent.



Une fois que le traitement est terminé, retournez le cadran rotatif en position OFF "0" et débranchez de la prise. Retirez le Socle de lame du Bol avant de retirer les ingrédients transformés.



Figure 1





Figure 2

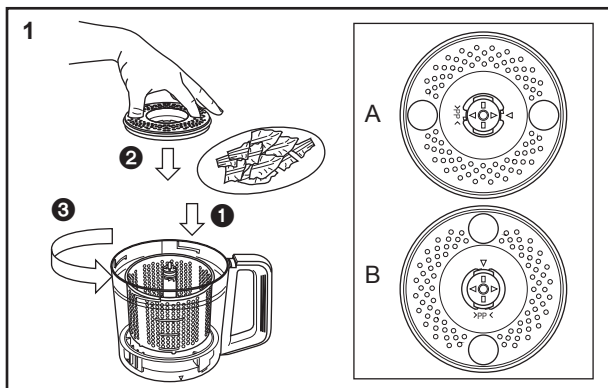
Français

ROBOT DE CUISINE MULTIFONCTION - ÉGOUTTOIR À SALADE -

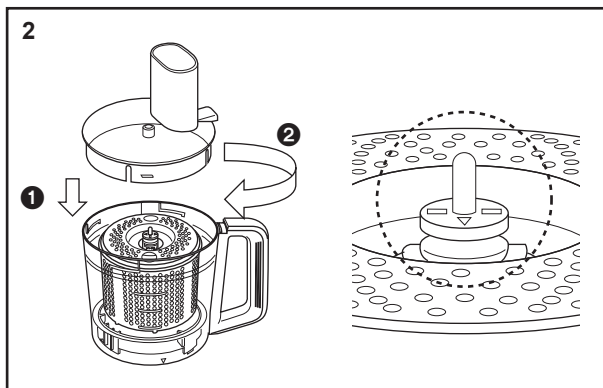
Préparations des Ingrédients pour l'Égouttoir à salade

Fonction	Ingrédient	Vitesse	Max Utilisation unique	Temps de fonctionnement (env.)	Méthode de préparation
Égouttoir	Feuilles de laitue	1	100 g	20 ~ 40 sec	 Broyage en tranches de 3 à 5 cm.
	Chou		200 g	20 ~ 50 sec	 Coupé en 1 à 3 mm.

Comment utiliser : Égouttoir à salade



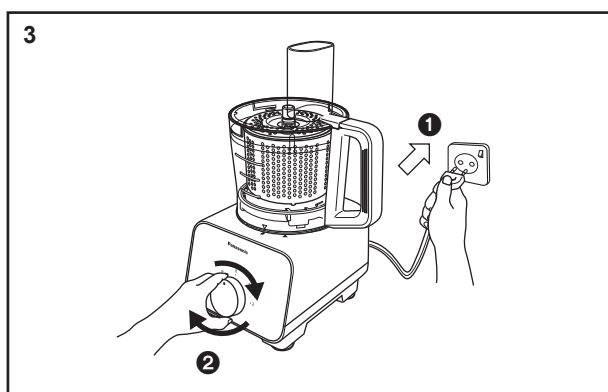
Après avoir inséré l'égouttoir à salade dans le Bol, insérez les ingrédients dans l'égouttoir à salade. Placez le Couvercle de l'égouttoir sur le dessus de l'égouttoir à salade jusqu'à ce que la marque s'aligne comme indiqué dans A. Tournez le Couvercle de l'égouttoir vers la gauche jusqu'à ce que la marque s'aligne comme indiqué dans B.



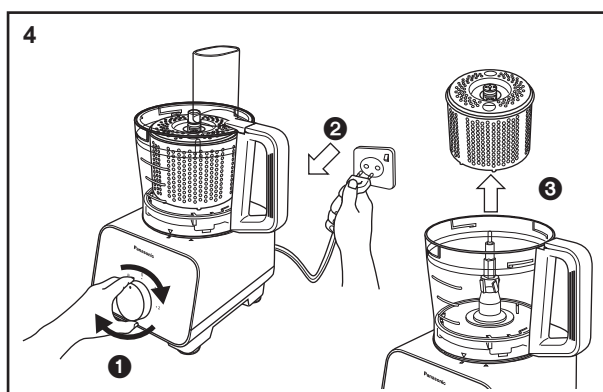
Placez le Couvercle du bol sur le dessus du Bol et tournez vers la droite jusqu'à ce qu'un « clic » se fasse entendre. Fixez l'ensemble du Bol sur le Boîtier du moteur comme illustré page FR10.

Note:

Assurez-vous que la tige de métal est en saillie de l'Égouttoir à salade après insertion.



Branchez la fiche dans la prise et tournez le cadran rotatif pour sélectionner la vitesse souhaitée.




Une fois que le traitement est terminé, retournez le cadran rotatif en position OFF "0" et débranchez de la prise. Retirez l'Égouttoir à salade du Bol.

Note :

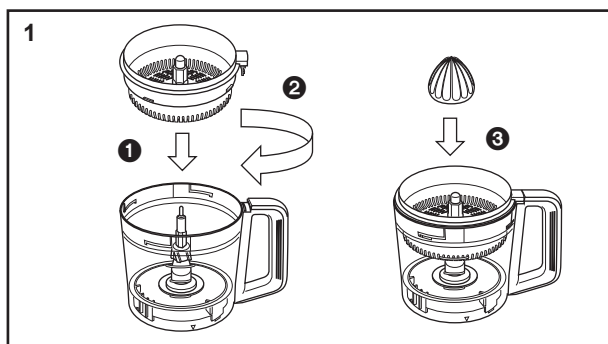
- Capacité opérationnelle maximale de l'égouttoir à salade : 200 g ou jusqu'à la hauteur maximum de l'Égouttoir à salade, selon la première éventualité.
- Ingrédients interdits : Reportez-vous à la page FR6.
- Veillez à ce que les ingrédients soient répartis uniformément autour de l'égouttoir à salade avant de traiter.
- Assurez-vous toujours que le Couvercle de l'égouttoir est fixé sur l'égouttoir à salade avant toute opération, sinon les ingrédients pourraient sortir et se répandre autour du Bol.
- Selon la quantité d'ingrédients utilisés, il y aura d'importantes vibrations. Dans ce cas, maintenez le Couvercle du bol avec les deux mains pour le soutenir lors de son fonctionnement.

ROBOT DE CUISINE MULTIFONCTION - PRESSE AGRUMES -

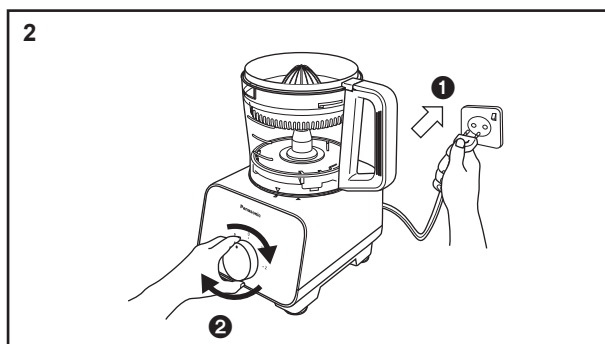
Préparations des Ingrédients pour le presse agrumes

Fonction	Ingrédient	Vitesse	Max Utilisation unique	Temps de fonctionnement (env.)	Méthode de préparation
Presse-agrumes	Fruit type agrume	1	1000 mL	-	 Coupez le fruit en moitiés

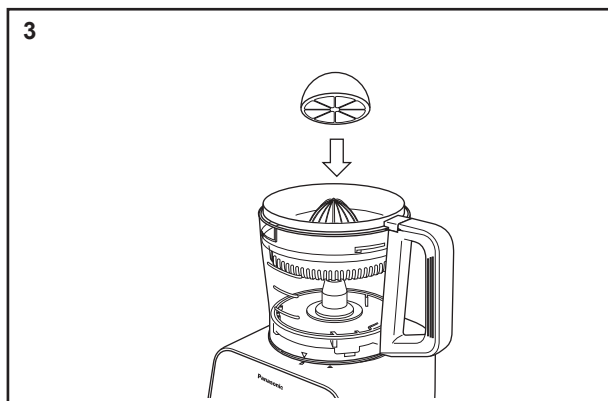
Comment utiliser : Presse-agrumes



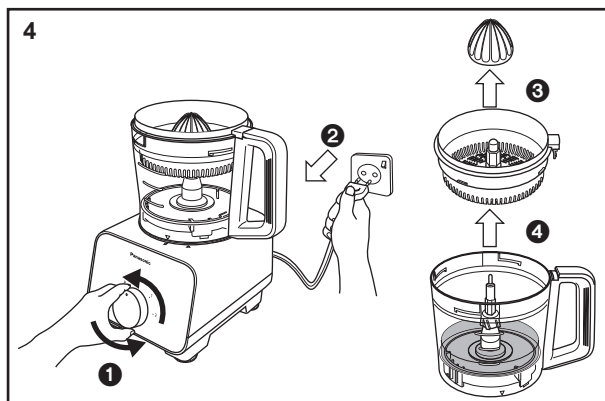
Placez la passoire à agrumes sur le Bol. Tournez dans le sens horaire jusqu'à ce qu'un « clic » se fasse entendre. Fixez le cône pour agrumes sur l'Axe d'entraînement.



Fixez l'ensemble du Bol sur le Boîtier du moteur comme illustré page FR10. Branchez la fiche dans la prise et tournez le cadran rotatif pour sélectionner la vitesse souhaitée.



Placez les fruits coupés à moitié côté tasse sur le dessus du cône pour agrumes et appuyez fermement pour en extraire le jus.



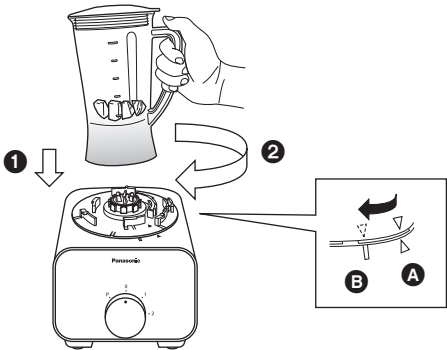
Une fois que le traitement est terminé, retournez le cadran rotatif en position OFF "0" et débranchez de la prise. Retirez le Presse agrumes du Bol avant de verser le jus extrait.

Note :

- Assurez-vous toujours que le cône pour agrumes soit placé sur la passoire à agrumes avant l'utilisation.
- Arrêtez le traitement périodiquement pour enlever la pulpe restant sur la passoire à agrumes pour faciliter l'extraction du jus.
- Il n'est pas recommandé de faire fonctionner le presse-agrumes à vitesse 2.
- Évitez de toucher le cône pour agrumes pendant qu'il tourne.

MIXEUR


Introduction



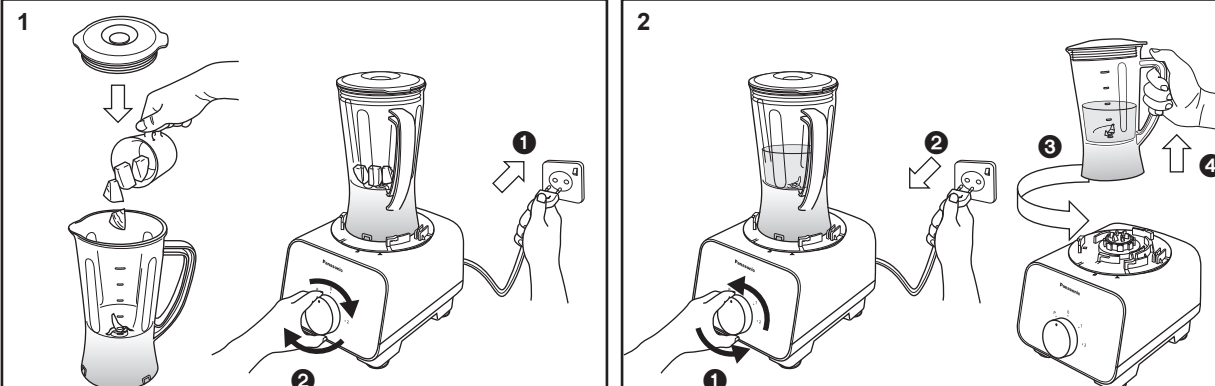
1. Placez le Récipient du mixeur sur le Boîtier du moteur. Assurez-vous que la marque en triangle sur le Récipient du mixeur est alignée avec la marque de triangle sur le Boîtier du moteur comme on le voit dans la position **A**.
2. Tournez le Récipient du mixeur dans le sens horaire jusqu'à ce qu'un « clic » se fasse entendre. Assurez-vous que la marque en triangle sur le Récipient du mixeur est alignée avec la marque de rectangle sur le Boîtier du moteur comme on le voit dans la position **B**.

Pour démonter, suivez les étapes d'assemblage dans le sens inverse.

Préparations des Ingrédients pour le Mixeur

Fonction	Ingrédient	Vitesse	Max Utilisation unique	Temps de fonctionnement (env.)	Méthode de préparation
Mixeur	Fruit, légume	2	1,000 mL	~ 2 min	 Coupez en cubes de 1 cm.

Comment utiliser : Mixeur



- 1
- 2
- 3
- 4

Insérez les ingrédients dans le Récipient du mixeur et fermez avec le Couvercle du mixeur. Fixez l'unité de mixeur sur le boîtier du moteur ainsi qu'illustré ci-dessus. Branchez la fiche dans la prise et tournez le cadran rotatif pour sélectionner la vitesse souhaitée.

Une fois que le traitement est terminé, retournez le cadran rotatif en position OFF "0" et débranchez de la prise. Retirez l'Unité de mixeur du Boîtier du moteur et retirez les ingrédients.

Note :

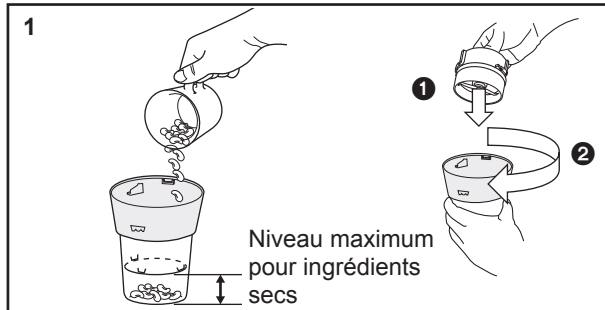
- Capacité opérationnelle maximale : 1 L.
- Ingrédients interdits pour le Récipient du mixeur : Reportez-vous à la page FR6.
- Il est recommandé de ne pas mixer les ingrédients durs et visqueux. Cependant, si nécessaire, coupez les ingrédients durs en petits morceaux (par exemple des carottes coupées en cubes de 1 cm³) et remplissez le Récipient du mixeur avec des ingrédients en ne dépassant pas la moitié de sa capacité nominale.
- Ne remplissez pas jusqu'au niveau maximal et réduisez les ingrédients lorsque l'appareil fait du bruit ou émet des vibrations anormales pendant le fonctionnement.
- Ajoutez des ingrédients mous (Fruit, légumes) dans le récipient du mixeur avant d'ajouter d'autres ingrédients.
- Si la lame de coupe se coince, éteignez et débranchez immédiatement. Ne tentez pas de décoller les ingrédients avec les doigts, utilisez un objet comme une spatule en caoutchouc à la place.
- Pendant le mixage, il est possible que les ingrédients rejaillissent par le trou du Couvercle du mixeur. En cas d'éclaboussures, essuyez-les avec un chiffon sec.
- Ne pas faire fonctionner en dépassant la durée nominale de fonctionnement (2 min ON, 2 min OFF).

ACCESSOIRE DE BROYAGE À SEC

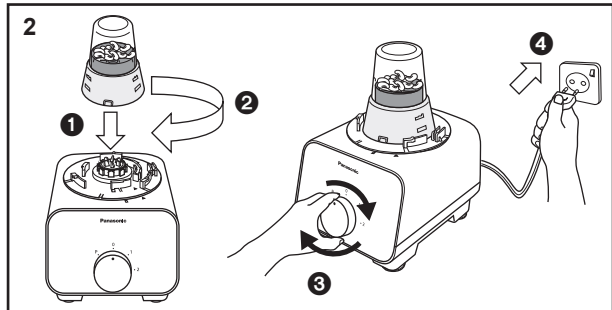
Préparations des ingrédients pour l'accessoire de broyage à sec

Fonction	Ingrédient	Vitesse	Max Utilisation unique	Temps de fonctionnement (env.)	Méthode de préparation
Moudre	Grains de café	2	Jusqu'au niveau maximum	~ 60 sec	-
	Poivre				

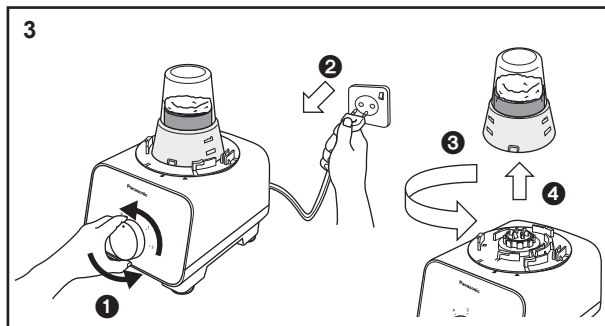
Comment utiliser : Accessoire de broyage à sec



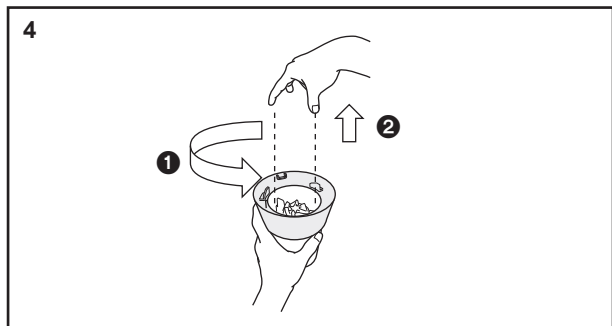
Retournez le Récipient du broyeur à l'envers et remplissez-le des ingrédients sans dépasser le niveau maximum indiqué. Placez la Base du récipient de broyage dans le Récipient du broyeur et tournez vers la droite jusqu'à ce qu'un « clic » se fasse entendre. Assurez-vous que les nervures sur la surface externe de la base du récipient de broyage et la surface intérieure du récipient du broyeur sont fermement accrochées.



Fixez l'Unité de broyage à sec sur le Boîtier du moteur. Tournez l'Unité de broyage à sec vers la droite jusqu'à ce qu'un « clic » se fasse entendre. Branchez la fiche dans la prise et tournez le cadran rotatif pour sélectionner la vitesse souhaitée.



Une fois que le traitement est terminé, retournez le cadran rotatif en position OFF "0" et débranchez de la prise. Retirez l'Unité de broyage à sec du Boîtier du moteur et retirez les ingrédients.



Tournez la base du récipient de broyage vers la gauche pour déverrouiller et levez le du Récipient du broyeur.

Note :

- Tout en retirant les ingrédients, faites attention à la lame de coupe.
- Ne pas utiliser en dépassant la durée nominale de fonctionnement (1 min ON, 2 min OFF).
- Ingrédients interdits : Reportez-vous à la page FR6.
- Ne pas faire fonctionner l'appareil avec l'accessoire de broyage à sec vide.
- Ne remplissez pas jusqu'au niveau maximal et réduisez les ingrédients lorsque l'appareil fait du bruit ou émet des vibrations anormales pendant le fonctionnement.

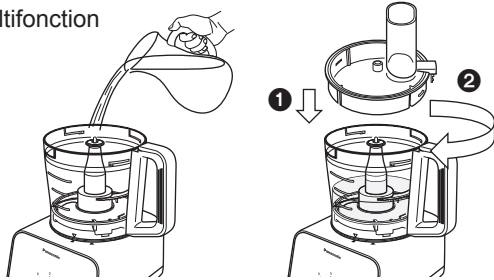
APRÈS UTILISATION

Nettoyage

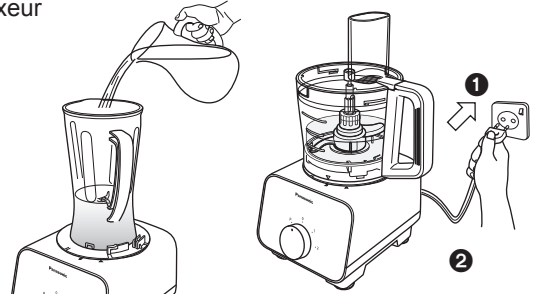
Pré lavage

Le pré lavage permet un nettoyage plus facile. Il peut être utilisé pour le mélangeur et la lame de couteaux. Pour faire un pré lavage, suivez les étapes ci-dessous.

1 Robot de cuisine multifonction



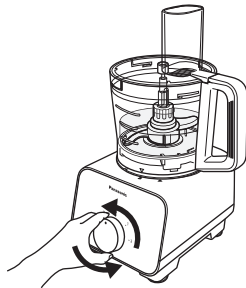
Mixeur



Placez la fixation utilisée à l'intérieur du bol, remplissez le bol avec de l'eau jusqu'à ce que la fixation soit immergée dans l'eau (max. 500 mL). Placez le couvercle du bol au-dessus du bol et tournez vers la droite jusqu'à ce qu'un son « clic » se fasse entendre.

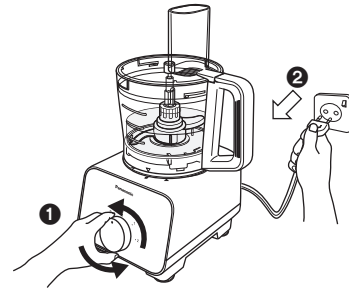
Pour l'unité de mixeur, remplissez avec 500 ml d'eau le récipient du mixeur et couvrez avec le couvercle du mixeur. Branchez la fiche dans la prise.

2

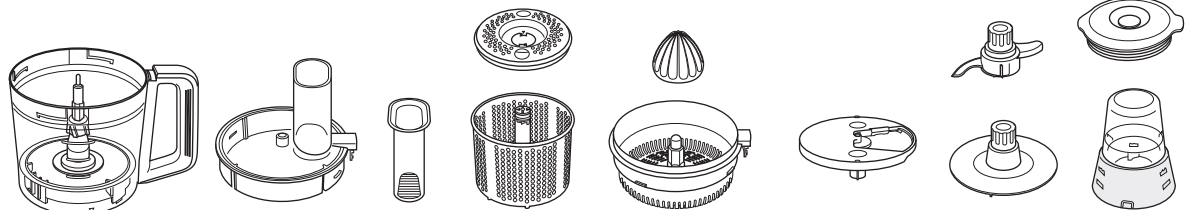


Robot de cuisine multifonction : le cadran rotatif en position "VITESSE" 5 ~ 10 fois. Mixeur : Tournez le cadran rotatif pour sélectionner la vitesse 2 et faites fonctionner pendant 10 ~ 20 secondes.

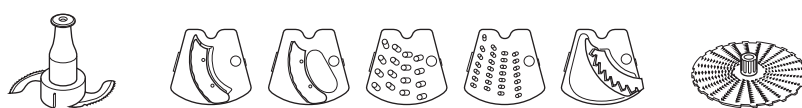
3



Retournez le Cadran Rotatif en position OFF "0" et débranchez de la prise. Retirez les accessoires et nettoyez.



Lavez ces éléments en les rinçant à l'eau courante. Utilisez un détergent neutre de cuisine si nécessaire. Essuyez-les avec un chiffon propre.



Laver ces éléments en les rinçant sous l'eau courante, et nettoyez soigneusement avec la Brosse. Utilisez un détergent neutre de cuisine si nécessaire.



Note :

- Ces éléments sont extrêmement tranchants et doivent être manipulés avec un soin particulier lors du nettoyage. Évitez de cogner ces éléments sur des objets durs pendant le nettoyage.
- La Base du récipient de broyage ne doit pas être lavée, utilisez la Brosse pour la nettoyer.



APRÈS UTILISATION

Boîtier du moteur / Pied en caoutchouc

Essuyez toutes les traces de saleté ou les taches avec un linge propre et humide.

Note :

- Assurez-vous que le cordon d'alimentation est débranché avant de nettoyer le Boîtier du moteur.
- Ne lavez pas le Boîtier du moteur à l'eau courante.
- N'utilisez jamais de liquides corrosifs (par exemple, de l'alcool, des diluants, etc.) pour nettoyer le Boîtier du moteur.

Nettoyage au lave-vaisselle

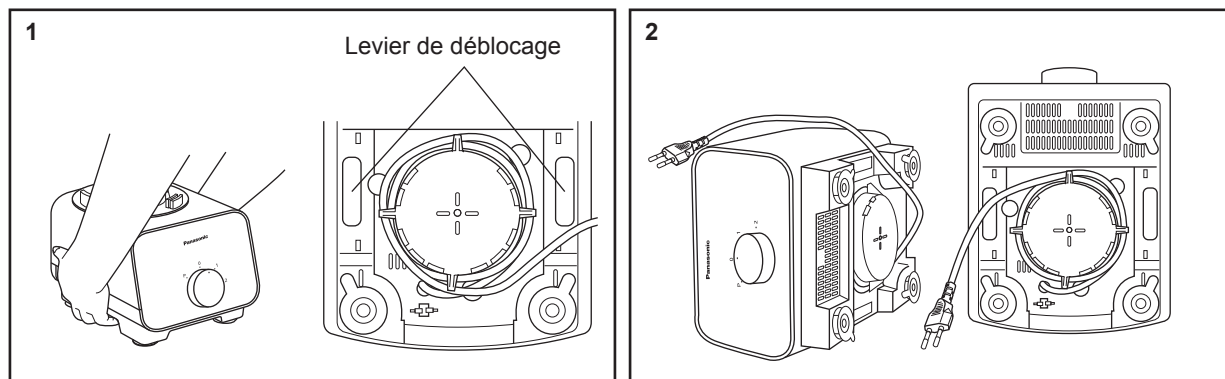
Le Bol et le Couvercle du bol de cet appareil sont adaptés pour le lave-vaisselle.

Note :

- Ne placez pas ces éléments près de la zone de chauffage du lave-vaisselle car des températures élevées peuvent endommager les pièces.

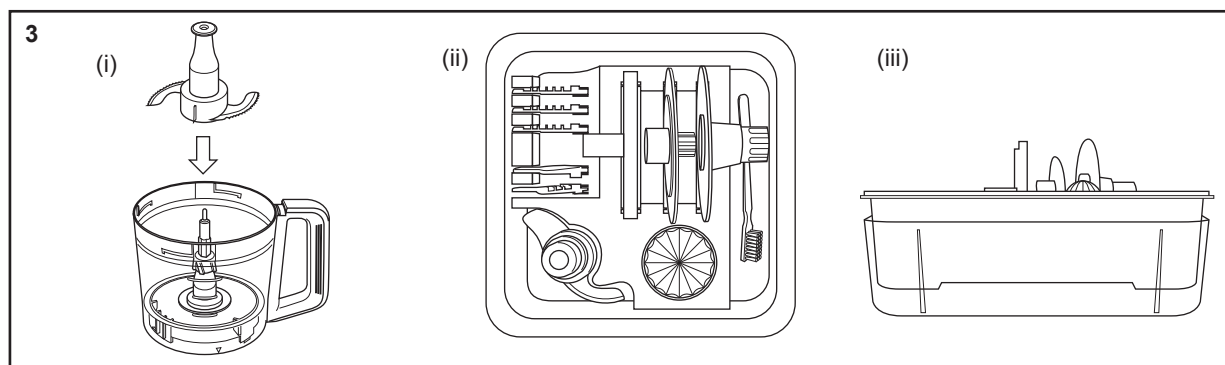
Stockage

Assurez-vous que tous les accessoires et le Bol sont retirés du Boîtier du moteur avant le stockage.



Pour libérer l'aspiration du Pied en caoutchouc du Boîtier du moteur, appuyez sur le levier de déblocage situé sur le côté bas du Boîtier du moteur en même temps comme on le voit dans l'image ci-dessus et soulevez.

Inclinez le Boîtier du moteur sur le côté, et enroulez le Cordon d'alimentation autour de la zone d'enroulage du Cordon, en laissant la fiche sur les côtés.



(i) Rangez la Lame du couteau à l'intérieur du Bol. Une boîte de rangement est incluse pour stocker les autres accessoires. Rangez les accessoires conformément à la condition de l'emballage.

(ii) Liste des accessoires dans la boîte de rangement : Lame pour pétrir, Cône pour agrumes, Lame pour tranches épais, Lame pour tranches fines, Lame pour broyage fin, Lame pour broyage épais, Lame pour frites, Socle de lame, Lame pour râper, Lame pour fouetter, Brosse.

(iii) Placez le couvercle de l'étui de rangement sous la boîte pour recueillir l'eau drainée des pièces jointes lavées.

Note :

- Jetez le plastique souple après l'ouverture de l'étui de rangement.

DÉPANNAGE

Veillez vérifier les points suivants avant d'arranger une maintenance.

Problème	Cause et Action
L'appareil ne s'allume pas.	<ul style="list-style-type: none">● La fiche est lâche dans la prise.<ul style="list-style-type: none">➔ Branchez-la fermement dans la prise.
L'appareil ne fonctionne pas même lorsque le Cadran Rotatif est activé.	<ul style="list-style-type: none">● Le Bol, l'Unité de mixeur ou l'Unité de broyage à sec ne sont pas correctement verrouillés sur le Boîtier du moteur.<ul style="list-style-type: none">➔ Assurez-vous que la marque triangulaire sur les accessoires est alignée avec la marque rectangulaire sur le Boîtier du moteur comme vu page FR9.● Le Couvercle du bol ou la passoire à agrumes ne sont pas complètement verrouillés sur le Bol.<ul style="list-style-type: none">➔ Sécurisez totalement le couvercle du bol ou le presse-agrumes sur le bol.● Les ingrédients sont coincés.<ul style="list-style-type: none">➔ Retirez soigneusement les ingrédients et veillez à ce que la quantité utilisée soit comme indiquée.
L'appareil s'arrête soudainement pendant le fonctionnement.	<ul style="list-style-type: none">● Le disjoncteur de protection est activé. (Reportez-vous à la page FR8)<ul style="list-style-type: none">• Trop d'ingrédients ont été insérés.<ul style="list-style-type: none">➔ Retirez les ingrédients en excès et veillez à ce que la quantité utilisée soit comme indiqué.• De gros morceaux ou des ingrédients durs ont été utilisés.<ul style="list-style-type: none">➔ Veillez à ce que les ingrédients soient coupés dans les tailles indiquées. N'utilisez pas d'ingrédients durs comme les aliments congelés ou solides très denses.● Le verrou de sécurité a été déclenché. (Reportez-vous à la page FR9)<ul style="list-style-type: none">• Une vibration anormale pendant le fonctionnement peut déclencher le verrouillage de sécurité.<ul style="list-style-type: none">➔ Veillez à ce que les ingrédients utilisés et leur quantité soient tels que décrits.➔ Verrouillez fermement le Couvercle du bol ou de la passoire à agrumes sur le Bol, et veillez à ce que le Bol, l'Unité de mixeur, ou l'Unité de broyage à sec soient bien verrouillés sur le Boîtier du moteur.
Il y a une vibration et un bruit anormaux pendant le fonctionnement.	<ul style="list-style-type: none">● Le Pied en caoutchouc et/ou le plan de travail ne sont pas propres.<ul style="list-style-type: none">➔ Essuyez toutes les traces de saleté ou les taches avec un linge propre et humide. Le Pied en caoutchouc est efficace lorsqu'il est placé sur une surface propre, lisse et plane.● Les ingrédients utilisés pour le traitement sont en trop grande quantité ou trop durs.<ul style="list-style-type: none">➔ Veillez à ce que les ingrédients utilisés soient comme indiqué, réduisez la quantité d'ingrédients si elle est supérieure à la quantité indiquée.
La texture et la consistance des ingrédients transformés ne se présentent pas bien.	<ul style="list-style-type: none">● Certains ingrédients pourraient être trop difficiles à traiter à l'état brut, ex. citrouille.<ul style="list-style-type: none">➔ Une pré-cuisson pourrait être nécessaire pour attendre les ingrédients avant le traitement, c.-à-d. lorsqu'une fourchette peut facilement percer.● La quantité d'ingrédients n'est pas conforme à la méthode de préparation.<ul style="list-style-type: none">➔ Préparez en conséquence pour respecter la quantité indiquée.● Le traitement simultané de certains ingrédients peut résulter en morceaux restants en fonction Frozen.● La quantité d'ingrédients maximale et la durée maximale de traitement sont destinées à servir de ligne directrice, une quantité d'ingrédient moindre et des ingrédients différents auront une incidence sur la performance.<ul style="list-style-type: none">➔ Traitez les ingrédients pendant une durée appropriée jusqu'à ce que la texture et la consistance souhaitées soient obtenues.

FR21

SPÉCIFICATIONS

Nom du modèle	MK-F500	
Fonction	Robot de cuisine multifonction	Mixeur & Accessoire de broyage à sec
Alimentation électrique	220 - 240 V ~ 50 - 60 Hz	
Consommation électrique	180 - 200 W	
Interrupteur	Cadran Rotatif	
Note fonctionnement	2 minutes ON, 4 minutes OFF	Mixeur : 2 minutes ON, 2 minutes OFF Accessoire de broyage à sec : 1 minute ON, 2 minutes OFF
	À l'exception des indications sur la page « Préparatiions des ingrédients ».	
Dimensions (Env.) (HxLxP)	435 x 264 x 265 mm	Mixeur : 406 x 264 x 265 mm Accessoire de broyage à sec : 298 x 264 x 265 mm
Poids (Env.)	3,1 kg	Mixeur : 2,8 kg Accessoire de broyage à sec : 2,6 kg
Capacité (Env.)	Capacité du récipient : 2.5 L Capacité opérationnelle maximale : Uniquement les liquides = 1.5 L Uniquement les solides = 600 g	Mixeur : 1 L Accessoire de broyage à sec : 50 g (grains de café)
	À l'exception des indications sur la page « Préparatiions des ingrédients ».	
Accessoires	Lame de métal, Lame à râper, Lame de malaxage, Fouet, Égouttoir à salade, Socle de lame, couteaux-hachoirs (Gros & Fin), Lames pour trancher (épais/fin), Éplucheur à Julienne, Presse-agrumes, et Boîte de rangement	Unité de mixeur, Unité de broyage à sec
Accessoires communs	Brosse avec Spatule	
Éléments passant au lave-vaisselle	Bol et Couvercle du bol	
Bruit acoustique aérien	88 (dB (A) référence 1 pW)	88 (dB (A) référence 1 pW)

Français



L'élimination des équipements usagés

Applicable uniquement dans les pays membres de l'Union européenne et les pays disposant de systèmes de recyclage.

Apposé sur le produit lui-même, sur son emballage, ou figurant dans la documentation qui l'accompagne, ce pictogramme indique que appareils électriques et électroniques usagés, doivent être séparées des ordures ménagères.

Afin de permettre le traitement, la valorisation et le recyclage adéquats des appareils usagés, veuillez les porter à l'un des points de collecte prévus, conformément à la législation nationale en vigueur.

En les éliminant conformément à la réglementation en vigueur, vous contribuez à éviter le gaspillage de ressources précieuses ainsi qu'à protéger la santé humaine et l'environnement. Pour de plus amples renseignements sur la collecte et le recyclage, veuillez vous renseigner auprès des collectivités locales.

Le non-respect de la réglementation relative à l'élimination des déchets est passible d'une peine d'amende.

INDICE

	Pagina
PRECAUZIONI DI SICUREZZA	IT3 - IT5
INFORMAZIONI IMPORTANTI	IT6
NOMI DEI COMPONENTI.....	IT7 - IT8
PROTEZIONE INTERRUTTORE	IT8
BLOCCO DI SICUREZZA.....	IT9
SMONTAGGIO	IT9
ROBOT DA CUCINA	
(i) INTRODUZIONE	IT10
(ii) LAMA DA TAGLIO • DISCO PANNA MONTATA •LAMA PER IMPASTARE	
• LAMA PER GRATTUGIARE	IT10 - IT12
– Preparazione degli ingredienti	
– Modalità d'uso	
(iii) LAME PER AFFETTARE • LAME PER SMINUZZARE• LAMA PER PATATINE	IT13 - IT14
– Preparazione degli ingredienti	
– Modalità d'uso	
(iv) SCOLAIN SALATA	IT15
– Preparazione degli ingredienti	
– Modalità d'uso	
(v) SPREMIAGRUMI	IT16
– Preparazione degli ingredienti	
– Modalità d'uso	
FRULLATORE	
(i) INTRODUZIONE	IT17
(ii) FRULLATORE	IT17
– Preparazione degli ingredienti	
– Modalità d'uso	
TRITATUTTO	
(i) TRITATUTTO	IT18
– Preparazione degli ingredienti	
– Modalità d'uso	
DOPO L'USO	IT19 - IT20
LOCALIZZAZIONE DEI GUASTI	IT21
SPECIFICHE	IT22

PRECAUZIONI DI SICUREZZA (Attenersi alle presenti istruzioni.)

Al fine di evitare incidenti o lesioni per l'utente, altre persone, e danni materiali, seguire le istruzioni riportate di seguito.

■ I grafici seguenti indicano il grado di danni causati da un uso sbagliato.



AVVERTENZA

Indica infortuni gravi o mortali.



ATTENZIONE

Indica il rischio di infortuni o danni agli oggetti.

■ I simboli sono classificati e spiegati come segue.



Questo simbolo indica divieto.



Questo simbolo indica la necessità di adottare determinati accorgimenti.



AVVERTENZA



● **Non danneggiare il Cavo o la Spina.**

(Ciò potrebbe provocare scosse elettriche o incendi causati da corto circuito.)

● **Non utilizzare l'apparecchio se il Cavo o la Spina sono danneggiati o la Spina non è collegata saldamente alla presa.**

(Ciò potrebbe provocare scosse elettriche o incendi causati da corto circuito.)

➔ Se il Cavo è danneggiato, deve essere sostituito dal costruttore, dal responsabile per l'assistenza o da una persona similmente qualificata, in modo da prevenire ogni rischio.

● **Non collegare o scollegare la Spina con le mani bagnate.**

(Ciò potrebbe provocare scosse elettriche.)

● **Non superare la tensione in uscita e non utilizzare una corrente alternata diversa da quanto indicato sull'apparecchio.**

(Ciò potrebbe provocare scosse elettriche o incendi.)

- Assicurarsi che la tensione fornita all'apparecchio sia la stessa della propria rete locale.
- Collegare altri dispositivi nella stessa presa elettrica potrebbe provocare surriscaldamento.

● **Non immergere l'apparecchio in acqua o a contatto con spruzzi d'acqua.**

(Ciò potrebbe provocare scosse elettriche o incendi causati da corto circuito.)

● **Non smontare, riparare o modificare l'apparecchio.**

(Ciò potrebbe causare incendi, scosse elettriche o lesioni.)

➔ Contattare il centro di assistenza per le riparazioni.

● **Non inserire oggetti nella ventola o nello spazio libero.**

(Ciò potrebbe provocare scosse elettriche o malfunzionamenti.)

- In particolare oggetti metallici quali puntine o fili.

● **Non sostituire le parti del prodotto con pezzi di ricambio diversi dai prodotti originali.**

(Ciò può causare lesioni, scosse elettriche o incendi.)

● **Non cercare di togliere il Coperchio quando l'apparecchio è ancora in funzione.**

(Può provocare lesioni.)

● **Non utilizzare acqua calda (oltre 60 °C) per pulire né calore per asciugare l'apparecchio.**

(Potrebbe causare bruciore o un funzionamento scorretto.)

AVVERTENZA

- **Non posizionare ingredienti caldi (oltre i 60 °C) nel Recipiente o nel Contenitore del Frullatore.**
(Potrebbe causare lesioni o un funzionamento scorretto.)
 - **Non utilizzare senza aver posizionato correttamente il Coperchio del Frullatore sopra il Contenitore del Frullatore.**
(Può provocare lesioni.)
 - **Non inserire le dita o utensili come cucchiari, forchette, ecc nel Recipiente o nel Contenitore del Frullatore durante l'utilizzo.**
(Può provocare lesioni, scosse elettriche, o incendi per corto circuito.)
 - **Non spingere il Perno di Sicurezza e la Leva di Sicurezza con nessun strumento, bastone ecc, in quanto l'apparecchio potrebbe essere acceso.**
(Può provocare lesioni.)
- ! Questo apparecchio non deve essere utilizzato dai bambini. Tenere l'apparecchio e il cavo fuori dalla portata dei bambini. Gli apparecchi possono essere utilizzati da persone con ridotte capacità fisiche, sensoriali o mentali, o con scarsa esperienza e conoscenza, a condizione che siano controllate o istruite all'uso dell'apparecchio in modo sicuro e se non siano informati sui rischi del caso. I bambini non devono giocare con l'apparecchio.**
(Può causare bruciature, lesioni o scosse elettriche.)
- **Inserire saldamente la Spina.**
(In caso contrario si possono verificare delle scosse elettriche e incendi causati dal calore generato intorno alla Spina.)
 - **Pulire regolarmente la Spina.**
(Una Spina sporca può causare isolamento insufficiente a causa dell'umidità, e può causare un incendio.)
 - **In caso di anomalie o di rottura, non utilizzare l'apparecchio e scollegare immediatamente.**
(Possono verificarsi fumo, incendi o scosse elettriche.)
ad esempio per le anomalie o rottura.
 - La Spina e il Cavo diventano eccessivamente caldi.
 - Il Cavo è danneggiato o vi è interruzione di corrente.
 - L'alloggiamento del Motore è deformato o eccessivamente caldo.
 - ➔ Scollegare l'apparecchio e rivolgersi immediatamente al centro di assistenza per il controllo o la riparazione.
 - **Assicurarsi di tenere la Spina quando la si stacca. Non tirare mai il Cavo.**
(In caso contrario possono verificarsi scosse elettriche o incendi causati da corto circuito.)
 - **Fare attenzione se il liquido caldo si versa nel Recipiente o nel Contenitore del Frullatore in quanto può essere espulso fuori dall'apparecchio a causa di un improvviso vapore.**
(Può causare bruciore).

ATTENZIONE

- **Non lasciare l'apparecchio incustodito quando è in uso.**
(Ciò potrebbe provocare incendi o bruciare.)
 - Quando non è in uso, staccare la corrente.
- **Non utilizzare l'apparecchio nei seguenti posti.**
 - Una superficie irregolare, un tappeto non resistente al calore o una tovaglia, ecc.
(Ciò potrebbe causare incendi o lesioni.)
 - Un luogo a contatto con acqua o vicino ad una fonte di calore.
(Ciò potrebbe provocare scosse elettriche o dispersione di corrente.)
- **Non lavorare superando la capacità massima indicata rispettivamente su ogni contenitore. Rispettare la quantità raccomandata degli ingredienti per l'elaborazione.**
(Può provocare lesioni.)
- **Non continuare l'utilizzo per molto tempo. Si raccomanda di lasciare riposare l'apparecchio dopo un certo tempo di utilizzo.**
(Può provocare ustioni.)

Funzione	Durata (minuti)	Tempo di riposo (minuti)
Robot da cucina	2	4
Frullatore	2	2
Tritatutto	1	2

* Con eccezione per "Preparazioni ingrediente" citate in queste Istruzioni d'Uso.

- **Staccare sempre la spina dell'apparecchio quando non viene utilizzato e prima di montare, smontare o pulire.**
(La mancata osservanza di questo accorgimento potrebbe provocare ustioni o infortuni.)
- **Rimuovere il Recipiente e la Caraffa del Frullatore e il Contenitore del Tritatutto prima di sollevare l'Alloggiamento del Motore dal tavolo.**
(Può provocare lesioni.)
- **Spegnere l'apparecchio e scollegare la corrente prima di cambiare gli accessori o di avvicinarsi alle parti che servono per l'uso.**
(Ciò può causare lesioni.)
- **Quando si trasporta l'apparecchio, assicurarsi di tenere l'Alloggiamento del Motore con entrambe le mani. Non trasportarlo tenendo solo il Recipiente o il Contenitore del Frullatore o il Contenitore del Tritatutto.**
(Può provocare lesioni.)
- **Se la Lama da Taglio del Frullatore si blocca, spegnere il Frullatore, poi staccare la spina. Non inserire le dita nella Caraffa del Frullatore. Utilizzare una spatola di gomma per rimuovere gli ingredienti che bloccano la Lama da Taglio del Frullatore.**
(Può provocare lesioni.)
- **Usare cautela quando si maneggiano le lame taglienti, nel svuotare il Recipiente o il Contenitore del Frullatore e nella pulizia. (es: Lama da taglio, lame per affettare ecc.)**
(Può provocare lesioni.)

Informazioni importanti

- **Non posizionare l'apparecchio nei seguenti luoghi.**
 - In un luogo in cui l'apparecchio sia esposto a eccessiva umidità, calore o luce solare diretta.
(Potrebbe causare un funzionamento scorretto.)
 - Luogo con alta o bassa temperatura come il frigorifero, il congelatore, microonde o forno.
(Può causare un funzionamento scorretto o una rottura.)
- **Non lavorare ingredienti difficili (ad esempio carne dura, carne con le ossa) o materiale viscoso.**
(Può causare un funzionamento scorretto.)

Ingredienti vietati:

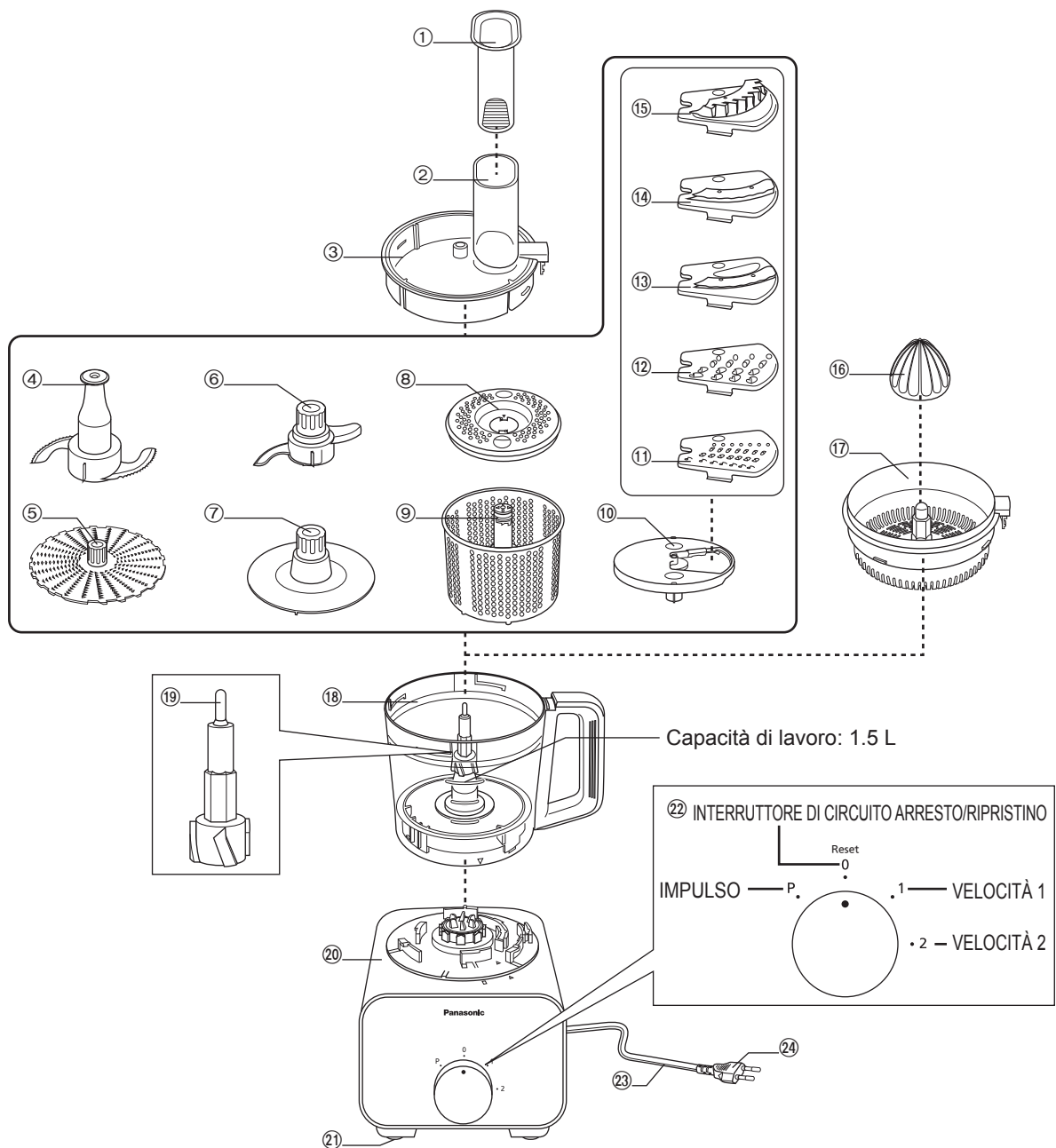
Accessori	Descrizione
Lama da taglio	Ingredienti duri, ingredienti viscosi, ad esempio chicchi di caffè, semi di soia secchi, surgelati, calamari secchi, ecc.
Lame per affettare, lame per sminuzzare e lama per patatine	Ingredienti con alta concentrazione di fibre dure, ingredienti viscosi, ingredienti troppo morbidi, ad esempio, verdure dure, surgelati, prosciutto, curcuma, zenzero, lattuga, pomodoro, pesca, cioccolato, ecc.
Lama per impastare	Ingredienti non adatti a fare impasti, ad esempio carne, verdura, noci, salse, creme spalmabili.
Disco panna montata	Eventuali altri ingredienti a parte bianchi d'uovo e panna fresca.
Lama per grattugiare	Ingredienti viscosi, ingredienti con alta concentrazione di fibre dure, ingredienti troppo piccoli e sottili, ad esempio, patata dolce, patate, sedano, porro, pinoli, ecc.
Scolainsalata	Ingredienti grossi, ingredienti morbidi e fragili, ad esempio, la carota grande o pezzi di patata, pomodoro, tofu, pasta, pasta, noodle, ecc.
Spremiagrumi	Eventuali altri ingredienti a parte gli agrumi, ad esempio, mela, kiwi ecc.
Frullatore	Ingredienti duri, ingredienti altamente appiccicosi, ingredienti a basso contenuto di acqua, ad esempio curcuma, semi di soia essiccati, alimenti surgelati, carne, pesce, patate lesse, o solo cubetti di ghiaccio, ecc.
Tritatutto	Noci dure, frutta secca, ingredienti con alta concentrazione di fibre dure, ingredienti umidi, liquidi, ad es. noci varie, uva passa, carne, verdure, uova sode, curcuma, ecc.

Prima dell'uso:

Utilizzare sempre l'apparecchio su una superficie pulita, asciutta, piana, dura e liscia e pulire il Piedino in Gomma (p. IT7) prima dell'uso per garantire che l'aspirazione in gomma del piede è a prestazioni ottimali.

NOMI DEI COMPONENTI.

Robot Da Cucina



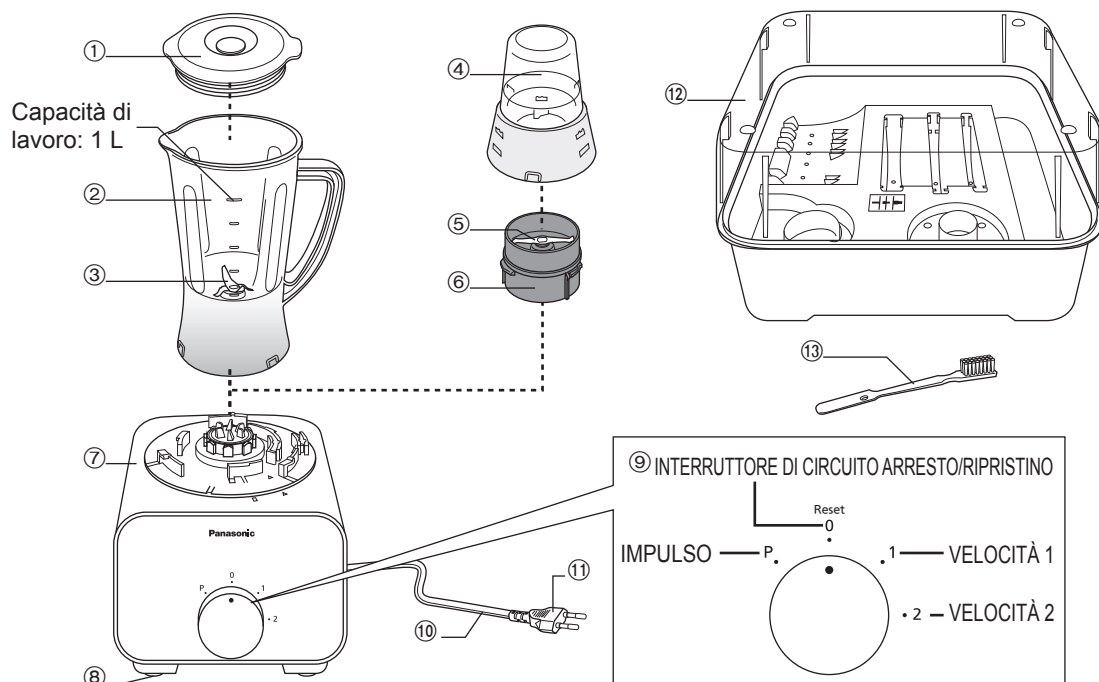
Italiano

- | | |
|---|--|
| 1. Pressatore | 13. Lama per affettare finemente |
| 2. Tubo di riempimento | 14. Lama per affettare grossolanamente |
| 3. Coperchio | 15. Lama per patatine |
| 4. Lama frullatore | 16. Cono spremiagrumi |
| 5. Lama per grattugiare | 17. Filtro |
| 6. Lama per impastare | 18. Recipiente |
| 7. Disco panna montata | 19. Albero di rotazione |
| 8. Coperchio sgocciolatore | 20. Blocco motore |
| 9. Scolainsalata | 21. Piedino in gomma |
| 10. Supporto lame | 22. Manopola |
| 11. Lama per sminuzzare finemente | 23. Cavo |
| 12. Lama per sminuzzare grossolanamente | 24. *Spina |

*La forma della presa può essere diversa da quella in figura.

NOMI DEI COMPONENTI.

Frullatore, Tritatutto & Accessori



- | | | |
|--------------------|------------------------|---------------------------|
| 1. Coperchio | 6. Supporto tritatutto | 11. *Presca elettrica |
| 2. Caraffa | 7. Blocco motore | 12. Contenitore accessori |
| 3. Lama frullatore | 8. Piedino in gomma | 13. Spatola |
| 4. Tritatutto | 9. Manopola | |
| 5. Lama tritatutto | 10. Cavo | |

*La forma della presa può essere diversa da quella in figura.

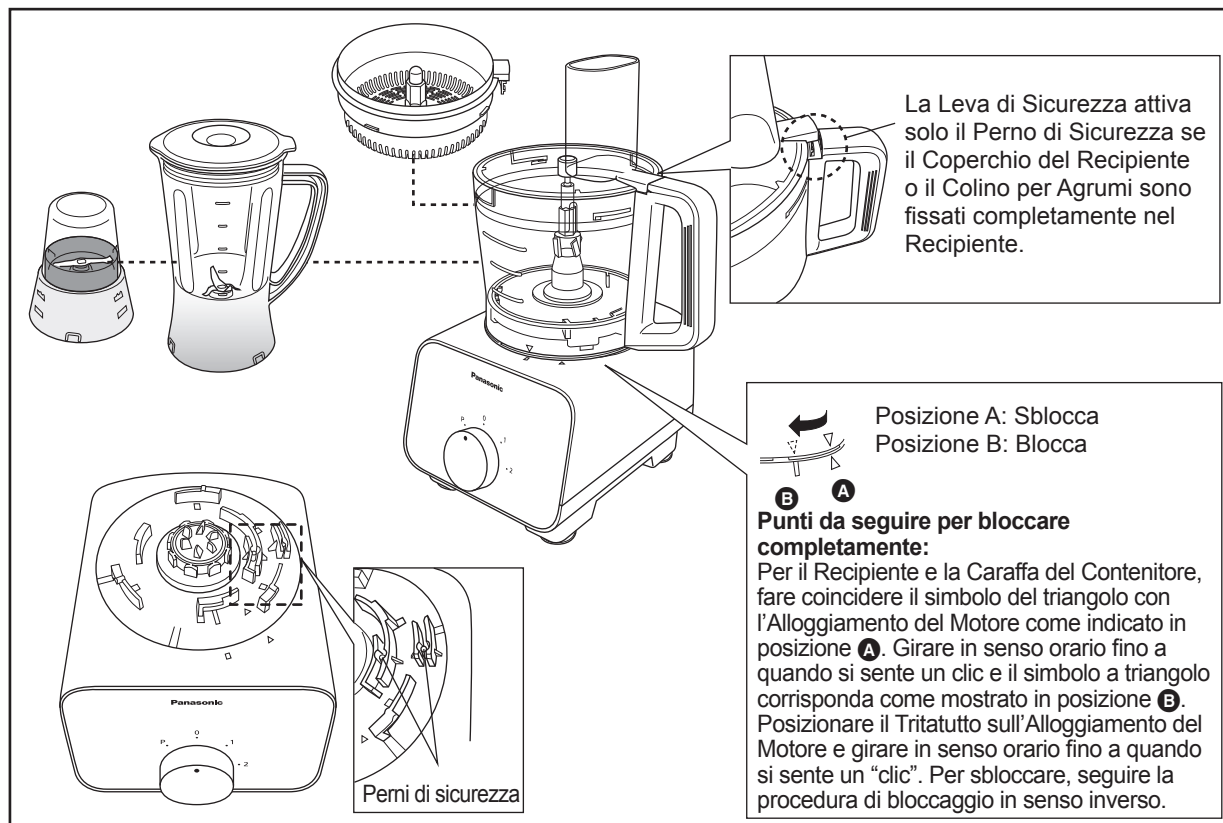
PROTEZIONE INTERRUTTORE

Questo apparecchio è dotato di funzione sistema salvavita per arrestare il motore quando questo è sovraccarico. Quando l'Interruttore arresta il motore per sovraccarico, spegnere la manopola mettendolo in posizione OFF "0" e seguire le istruzioni qui di seguito:

1. Ridurre gli ingredienti a meno della metà e riavviare.
2. Se ancora non si avvia, spegnere la manopola in posizione OFF "0" di nuovo e riavviare.
3. Se non funziona nulla, contattare il centro assistenza più vicino.

BLOCCO DI SICUREZZA

- Il Perno di Sicurezza è progettato per impedire all'apparecchio di accendersi o quando
- Il Coperchio del Recipiente o il Colino per Agrumi e il Recipiente non sono completamente fissati.
 - Il Recipiente, il Contenitore del Frullatore o il Contenitore del Tritatutto non sono fissati completamente con l'Alloggiamento del Motore.



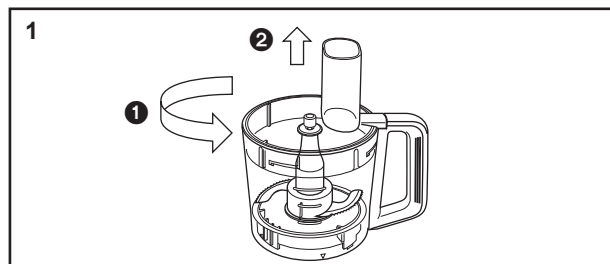
Nota:

- Non spingere il Perno di Sicurezza e la Leva di Sicurezza con nessun strumento, bastone, ecc.
- Non versare liquidi o ingredienti nell'area del Perno di Sicurezza o della Leva di Sicurezza.
- Mantenere pulita l'area del Perno di Sicurezza e della Leva di Sicurezza per evitare che le particelle estranee si accumulino intorno.

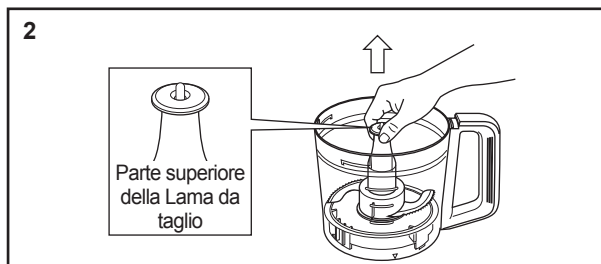
Le azioni di cui sopra assicureranno un utilizzo corretto del Perno di Sicurezza e della Leva di Sicurezza. Se non si osservano queste misure, si danneggeranno le parti relative al Perno di Sicurezza e alla Leva di Sicurezza.

SMONTAGGIO

Estrarre dagli imballaggi



Ruotare in senso antiorario il Coperchio del Recipiente e sollevare il Recipiente.



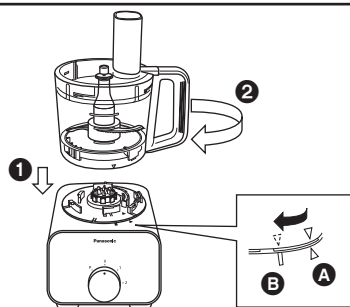
Tenere la parte superiore della Lama da taglio e sollevare fino a rimuoverlo dal Recipiente.

Nota:

Attenzione ai bordi taglienti della Lama da taglio quando lo si rimuove dal Recipiente.

ROBOT DA CUCINA - INTRODUZIONE -

Si consiglia vivamente di pulire tutti gli allegati e gli accessori e asciugare bene prima di utilizzare l'apparecchio per la prima volta, consultare le pagine IT19 - IT20 per il metodo di pulizia. Staccare la spina durante il montaggio dell'unità. Prima di collegare, assicurarsi che l'Interruttore sia spento. Consultare la pagina IT20 sotto la voce "Conservazione" su come riposizionare l'Alloggiamento del Motore.



1. Posizionare il Recipiente sopra l'Alloggiamento del Motore fino a che il simbolo corrisponda come mostrato in **A**.
2. Girare il Recipiente in senso orario fino a quando si sente un "clic". Assicurarsi che il simbolo a triangolo sul Recipiente coincida con il simbolo a rettangolo dell'Alloggiamento del Motore come mostrato in **B**.

Per smontare, seguire le fasi di montaggio in senso inverso.

ROBOT DA CUCINA - LAMA DA TAGLIO • LAMA PER IMPASTARE • DISCO PANNA MONTATA • LAMA PER GRATTUGIARE -




Preparazione ingredienti per la Lama da taglio

Funzione	Ingredienti	Velocità	Quantità	Tempo di funzionamento (ca.)	Metodo di preparazione
Tagliare a pezzi	Carne	2	50 ~ 400 g	5 ~ 50 sec	Rimuovere la pelle, le ossa e i tendini, tagliare a cubetti di 2 ~ 3 cm.
	Pesce		50 ~ 500 g	3 ~ 20 sec	Rimuovere la pelle, le ossa e i tendini, tagliare a cubetti di 2 ~ 3 cm.
Impasto	Cipolla	1 (Alternata)	150 ~ 500 g	4 ~ 15 volte	Rimuovere la pelle, tagliare a cubetti di 2 ~ 3 cm.
	Aglione	2	5 ~ 500 g	10 ~ 30 sec	Rimuovere la pelle.
	Carota		50 ~ 450 g	10 ~ 30 sec	Rimuovere la pelle, tagliare a cubetti di 2 ~ 3 cm.
	Prezzemolo		5 ~ 70 g	10 ~ 40 sec	Rimuovere il gambo.
	Funghi		30 ~ 250 g	3 ~ 15 sec	Tagliare a cubetti di 2 ~ 3 cm.
Triturare	Parmigiano	2	10 ~ 200 g	10 ~ 60 sec	Tagliare a cubetti di 2 ~ 3 cm.
Puré	Patate bollite	IMPULSO	100 ~ 400 g	3 ~ 15 volte	Tagliare a cubetti di 2 ~ 3 cm. Non abusare.
Congelamento	Banana congelata	2	250 ~ 450 g	30 ~ 180 sec	1 ~ 2 cm di larghezza, condizione di semi congelamento, ad esempio quando può penetrare uno stuzzicadenti.
Tritare il ghiaccio	Cubetti di ghiaccio	2	~ 10 pezzi	~ 20 sec	Cubetti di ghiaccio da 2 ~ 3 cm.
Granelli	Arachidi	2	10 ~ 200 g	15 ~ 30 sec	Rimuovere il guscio e la buccia degli arachidi.
Paste	Noccioline tostate	2	100 ~ 400 g	5 ~ 10 min	Rimuovere il guscio e la buccia degli arachidi.
Briciole	Pane bianco morbido	2	10 ~ 200 g	15 ~ 60 sec	Affettare il pane morbido in 6 ~ 8 fette.

ROBOT DA CUCINA - LAMA DA TAGLIO • LAMA PER IMPASTARE

• DISCO PANNA MONTATA • LAMA PER GRATTUGIARE -



Preparazione ingredienti per la Lama da taglio

Funzione	Ingredienti	Velocità	Un solo utilizzo Max	Tempo di funzionamento (ca.)	Metodo di preparazione
Impastare (Per dolci)	Farina	2	~ 300 g	~ 120 sec	 Usare per la pasticceria come dolci e torte.
Fare un succo	Frutta, liquidi, ecc.	2	~ 1,500 mL	~ 120 sec	 Tagliare a cubetti di 2 ~ 3 cm. Lavorare i pezzi solidi prima. Riempire con i liquidi senza superare i 1500 mL. Non aggiungere più di 10 pezzetti di cubetti di ghiaccio durante la preparazione.
Fare una zuppa	Verdure bollite, liquidi, ecc.	2	~ 1,500 mL	~ 120 sec	 Tagliare a cubetti di 2 ~ 3 cm. Lavorare i pezzi solidi prima. Riempire con i liquidi senza superare i 1500 mL.



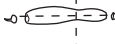
Preparazione ingredienti per la Lama per Impastare

Funzione	Ingredienti	Velocità	Un solo utilizzo Max	Tempo di funzionamento (ca.)	Metodo di preparazione
Impastare (Per dolci)	Farina di pane	2	300 g	~ 120 sec	Aggiungere il lievito con acqua durante la lavorazione della pasta (aggiungere il lievito direttamente prima della lavorazione può far sì che la pasta si sfaldi o si alzi prematuramente). Se la pasta appare ancora friabile dopo la preparazione iniziale, aggiungere 1 cucchiaino di acqua nel mix. Quando si verificano grandi vibrazioni dovute alla preparazione dell'impasto con il mix intorno all'Albero Principale, aggiungere 1 cucchiaino di farina. Non rilavorare l'impasto dopo avere completato l'operazione, se l'impasto non è soddisfacente, impastare a mano.
	Liquido		160 ~ 200 mL		

Preparazione degli ingredienti per la Disco panna montata

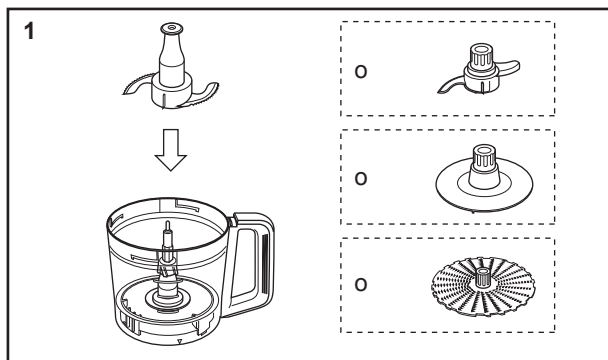
Funzione	Ingredienti	Velocità	Un solo utilizzo Max	Tempo di funzionamento (ca.)	Metodo di preparazione
Frusta	Albume	2	2 ~ 6 pezzi	50 sec ~ 90 sec	 Separare l'albume dal tuorlo per ottenere una meringa omogenea.
	Panna		100 ~ 300 mL	15 sec ~ 2 min	 Utilizzare panna fresca con il 35% di grassi o superiore a 5 °C

Preparazione degli ingredienti per la Lama per grattugiare

Funzione	Ingredienti	Velocità	Un solo utilizzo Max	Tempo di funzionamento (ca.)	Metodo di preparazione
Grattugia	Carota	2	200 g	-	   Tagliare a cubetti di 2 ~ 3 cm.
	Mela		200 g		
	Cetriolo		200 g		

ROBOT DA CUCINA - LAMA DA TAGLIO • LAMA PER IMPASTARE • DISCO PANNA MONTATA • LAMA PER GRATTUGIARE -

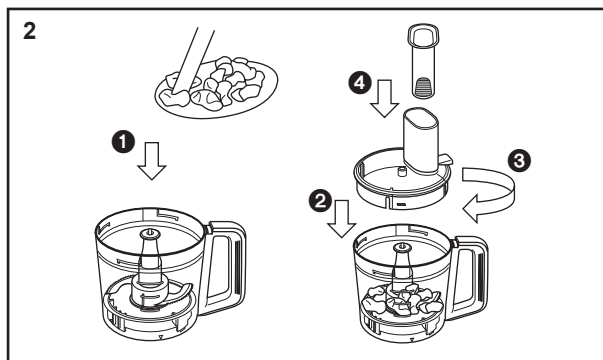
Come si usa: Lama da taglio • Lama per impastare • Disco panna montata • Lama per grattugiare



Dopo aver fissato il Recipiente nell'Alloggiamento del Motore, posizionare la Lama da taglio (Lama per Impastare o Disco panna montata o Lama per grattugiare) nel Recipiente.

Nota:

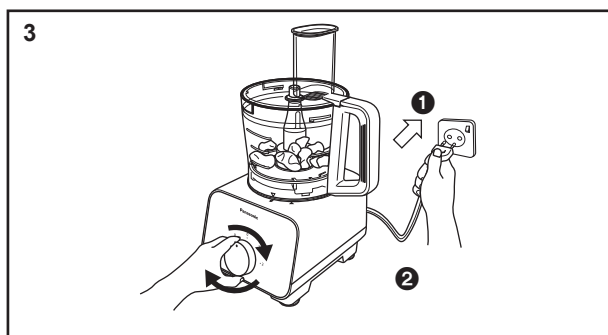
Per la Lama da taglio, assicurarsi che l'Alloggiamento del Motore sporga dalla Lama da taglio dopo l'inserimento.



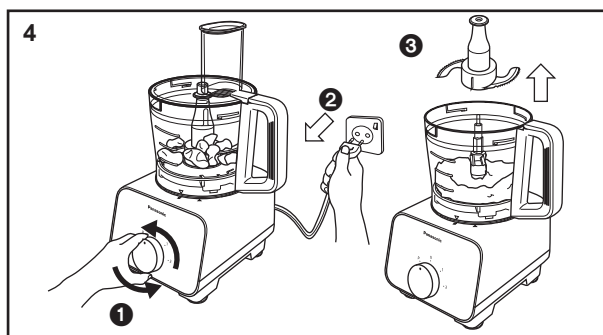
Mettere gli ingredienti nel Recipiente. Mettere il Coperchio del Recipiente sopra quest'ultima e ruotare in senso orario fino a quando si sente un "clic". Inserire il Pressatore nel Tubo di Alimentazione. Disporre il Recipiente nell'Alloggiamento del Motore come illustrato a pagina IT10.

Nota:

Per la Lama per Grattugiare, inserire gli ingredienti sopra la lama e spargerli uniformemente.



Inserire la spina nella presa di corrente e accendere la manopola per selezionare la velocità desiderata (consultare la sezione "Preparazione degli Ingredienti", a pagina IT10-IT11).



Al termine dell'operazione, rimettere la manopola in posizione OFF "0" e staccare la spina dalla presa di corrente. Estrarre la Lama da taglio dal Recipiente prima di rimuovere gli ingredienti trasformati.

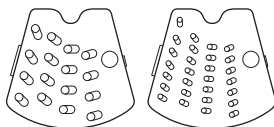
Nota:

- Verificare sempre che la Lama da taglio sia inserita prima di aggiungere gli ingredienti nel Recipiente.
- Non superare la quantità indicata di ingredienti per impastare in quanto possono verificarsi delle vibrazioni anomale.
- Non inserire ingredienti caldi nel Recipiente per la preparazione. Assicurarsi sempre che gli ingredienti siano sufficientemente raffreddati prima di inserirli, ad esempio le patate bollite.
- Per preparare i Succhi, riempire gli ingredienti solidi prima nel Recipiente e poi gli ingredienti liquidi fino a quando il volume totale non supera i 1.500 ml.
- Mentre gli ingredienti liquidi si trasformano insieme, mettere dei cubetti di ghiaccio, non più di 10 pezzi (circa 170 g).
- Non superare la quantità indicata di ingredienti per la Lama per Impastare in quanto possono verificarsi delle vibrazioni anomale.
- Non elaborare la panna da montare più del necessario, potrebbe decomporsi e formare grumi di burro.
- Utilizzando diverse marche di panna da montare si possono ottenere risultati differenti. Si consiglia di lavorare fino a quando la panna è sufficientemente montata.
- A seconda della velocità e la quantità degli ingredienti utilizzati, potranno verificarsi forti vibrazioni. In tal caso, tenere premuto il Coperchio del Recipiente con entrambe le mani per fissarla durante l'utilizzo.
- Per l'impasto, non rielaborare dopo che la pasta si è formata la prima volta.
- Elevate quantità di burro e di zucchero nell'impasto possono causare vibrazioni anomale quando si utilizza la Lama per Impasto.
- L'utilizzo di farina diversa dalle farine per pane sulla Lama per Impasto, potrebbe causare vibrazioni anomale. Prima della trasformazione, rimuovere 1 ~ 2 cucchiaini di acqua dalla quantità totale indicata e aggiungere l'acqua a poco a poco durante la lavorazione se necessario.

ROBOT DA CUCINA - LAME PER AFFETTARE • LAME PER SMINUZZARE • LAMA PER PATATINE -



Lame per affettare (Spesse/Sottili)
- usate per affettare gli ingredienti



Lame per sminuzzare (Grosse/Fini)
- usate per sminuzzare e grattugiare gli ingredienti.



Lama per patatine
- usata per preparare patatine fritte e ingredienti da sminuzzare.

Preparazione degli ingredienti per le lame per affettare (Spesse/Sottili)

Funzione	Ingredienti	Velocità	Un solo utilizzo Max	Tempo di funzionamento (ca.)	Metodo di preparazione	
Fetta	Cetriolo	2	700 g	-		Tagliare gli ingredienti fino a che siano abbastanza piccolo da entrare nel Tubo di Alimentazione.
	Cipolla		700 g			
	Carota		600 g			
	Patate		600 g			
	Cabbage		400 g			

Preparazione degli ingredienti per le lame per sminuzzare (Grosse/Fini)

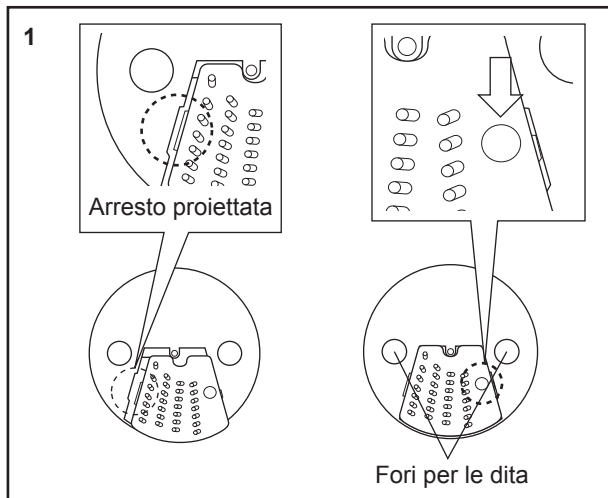
Funzione	Ingredienti	Velocità	Un solo utilizzo Max	Tempo di funzionamento (ca.)	Metodo di preparazione	
Sminuzzamento	Cetriolo	2	500 g	-		Tagliare gli ingredienti fino a che siano abbastanza piccolo da entrare nel Tubo di Alimentazione.
	Carota		500 g			
	Patate		650 g			
	Cheese		500 g			Tagliare gli ingredienti fino a che siano abbastanza piccolo da entrare nel Tubo di Alimentazione. Non usare ingredienti duri come il parmigiano.

Preparazione degli ingredienti per la Lama per patatine

Funzione	Ingredienti	Velocità	Un solo utilizzo Max	Tempo di funzionamento (ca.)	Metodo di preparazione	
Patatine Fritte	Patate	2	800 g	-		Tagliare gli ingredienti fino a che siano abbastanza piccolo da entrare nel Tubo di Alimentazione.
Sminuzzamento	Cabbage		500 g			

ROBOT DA CUCINA - LAME PER AFFETTARE • LAME PER SMINUZZARE • LAMA PER PATATINE -

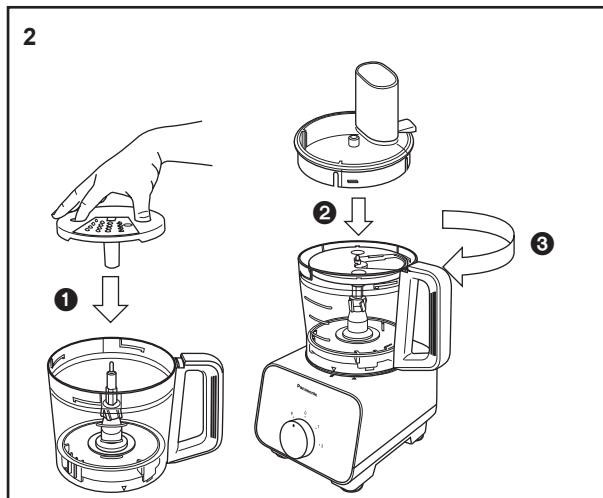
Come si usa: Lame per affettare (Spessa /Sottile), Lama per sminuzzare (Grossa / Fine), Lama per patatine



Montare il blocco previsto della lama desiderata sul Supporto per Lama e assicurarsi che sia posizionato correttamente. Spingere verso il basso la lama come mostrato sopra fino a quando si sente uno schiocco.

Nota:

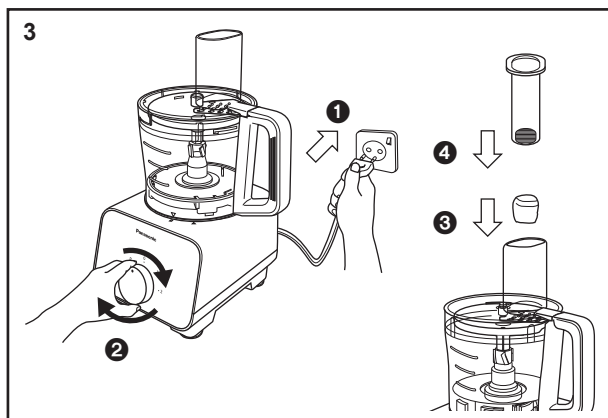
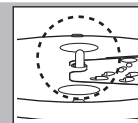
- Attenzione ai bordi taglienti delle lame durante l'inserimento nel Supporto per Lama.
- Per rimuovere la lama, girare il Supporto per Lama e spingere verso il basso sul retro della lama.



Inserire un dito e il pollice nei fori apposti per afferrare il Supporto della Lama. Posizionare il Supporto della Lama montato nel Recipiente. Posizionare il Recipiente nell'Alloggiamento del Motore come illustrato a pagina IT9, quindi inserire il Supporto per Lama nel Recipiente. Mettere il Coperchio del Recipiente sopra quest'ultima e ruotare in senso orario fino a quando si sente un "clac".

Nota:

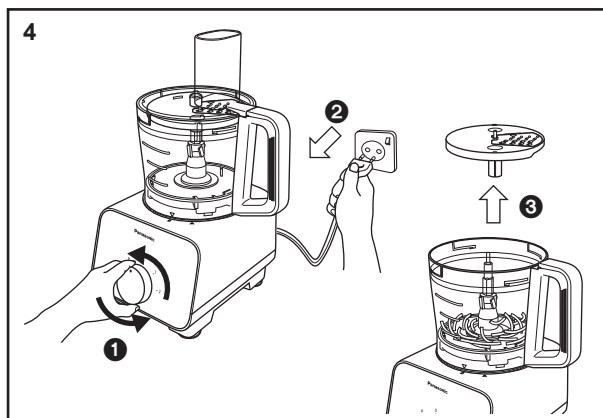
Assicurarsi che l'Albero del Motore sporga dal Supporto per Lama dopo l'inserimento.



Inserire la spina nella presa di corrente e accendere la manopola per selezionare la velocità desiderata (consultare la voce "Preparazione degli Ingredienti", a pagina IT13). Inserire gli ingredienti nel Tubo di Alimentazione e spingere verso il basso con il Pressatore.

Nota:

- Quando si utilizzano ingredienti lunghi e sottili, posizionarli contro la parete anteriore del tubo di alimentazione come indicato nella Figura 1, come supporto durante l'uso per evitare una lavorazione non uniforme.
- Smaltire eventuali grumi residui di ingredienti non lavorati.
- Allineare gli ingredienti ad alto contenuto di fibre come indicato in Figura 2 per un risultato omogeneo.



Al termine dell'operazione, rimettere la manopola in posizione OFF "0" e staccare la spina dalla presa di corrente. Rimuovere il Supporto per Lama dal Recipiente prima di rimuovere gli ingredienti lavorati.



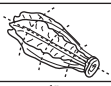

Figura 1



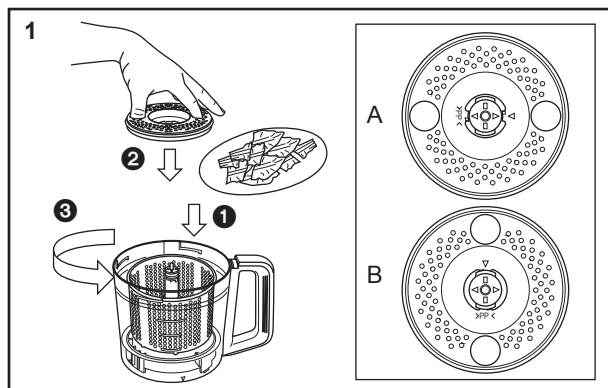
Figura 2

ROBOT DA CUCINA - SCOLAIN SALATA -

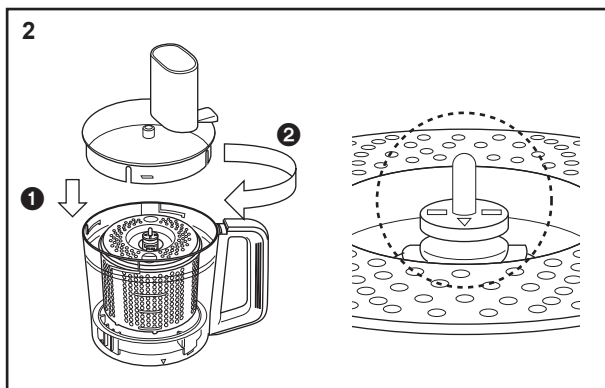
Preparazione degli ingredienti per lo Scolainsalata

Funzione	Ingredienti	Velocità	Un solo utilizzo Max	Tempo di funzionamento (ca.)	Metodo di preparazione
Sgocciolatore	Foglie di lattuga	1	100 g	20 ~ 40 sec	 Tagliare a strati di 3 ~ 5 cm.
	Cavolo		200 g	20 ~ 50 sec	 Sminuzzate in 1 ~ 3 mm.

Come si usa: Scolainsalata



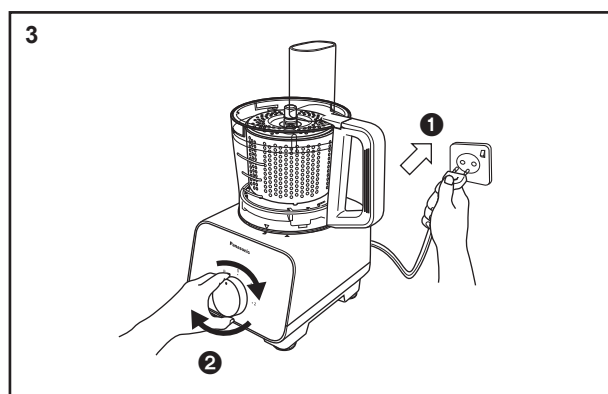
Dopo aver inserito lo Scolainsalata nel Recipiente, inserire gli ingredienti nello Scolainsalata. Posizionare il Coperchio dello Sgocciolatoio sopra lo Scolainsalata fino a quando il segno coincide come mostrato in A. Ruotare il Coperchio dello Sgocciolatoio in senso antiorario fino a quando il segnale coincide come mostrato in B.



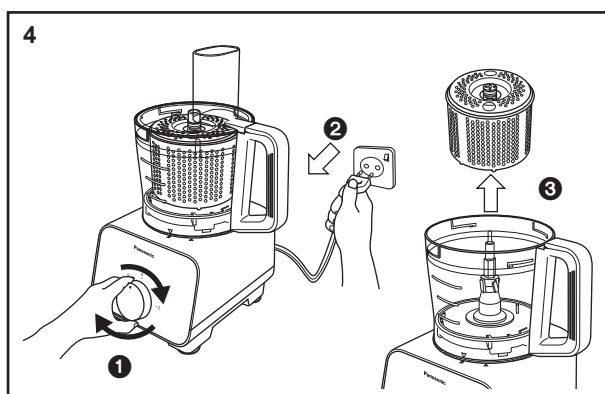
Mettere il Coperchio del Recipiente sopra quest'ultimo e ruotare in senso orario fino a quando si sente un "clic". Disporre il Recipiente nell'Alloggiamento del Motore come illustrato a pagina IT10.

Nota:

Assicurarsi che l'albero di metallo sporga fuori dallo Scolainsalata dopo l'inserimento.



Inserire la spina nella presa di corrente e accendere la manopola per selezionare la velocità desiderata.




Al termine dell'operazione, rimettere la manopola in posizione OFF "0" e staccare la spina dalla presa di corrente. Rimuovere lo Scolainsalata dal Recipiente.

Nota:

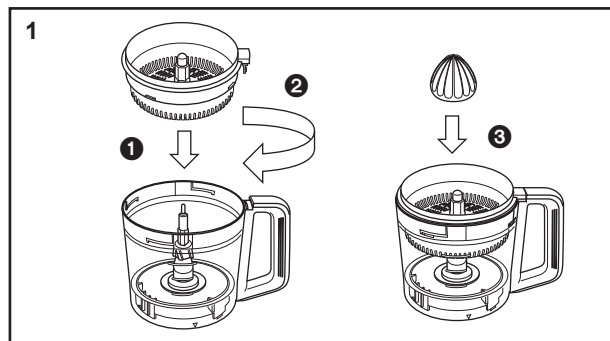
- Capacità di lavoro massima dello Scolainsalata: 200 g fino all'altezza massima dello Scolainsalata.
- Ingredienti vietati: Consultare pagina IT6.
- Assicurarsi che gli ingredienti siano distribuiti in modo uniforme intorno allo Scolainsalata prima dell'uso.
- Verificare sempre che il Coperchio dello Sgocciolatoio sia fissato sopra lo Scolainsalata prima dell'uso, altrimenti gli ingredienti potrebbero saltare fuori e scheggiare il Recipiente.
- A seconda della velocità e la quantità degli ingredienti utilizzati, potrebbero verificarsi forti vibrazioni. In tal caso, tenere premuto il Coperchio del Recipiente per fermarlo durante l'uso.

ROBOT DA CUCINA - SPREMIAGRUMI -

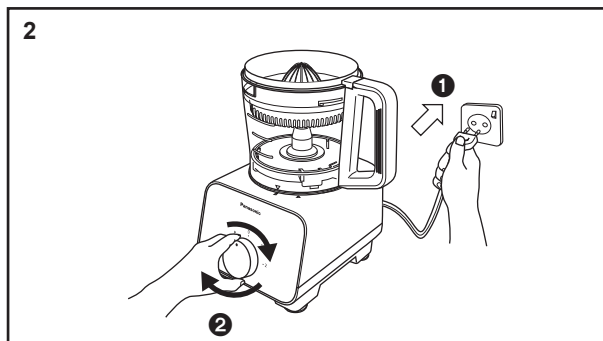
Preparazione degli ingredienti per lo Spremiagrumi

Funzione	Ingredienti	Velocità	Un solo utilizzo Max	Tempo di funzionamento (ca.)	Metodo di preparazione
Spremere	Agrume	1	1000 mL	-	 Tagliare la frutta a metà.

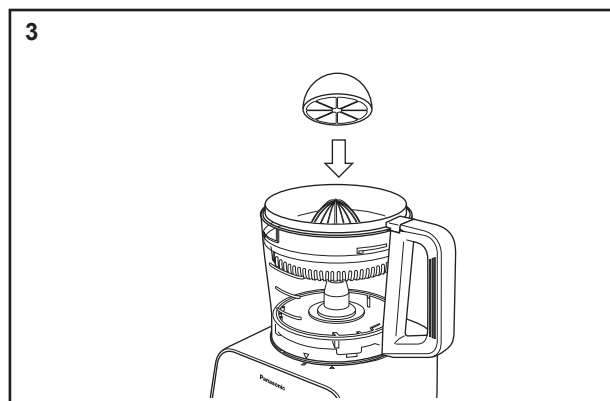
Come si usa: Spremiagrumi



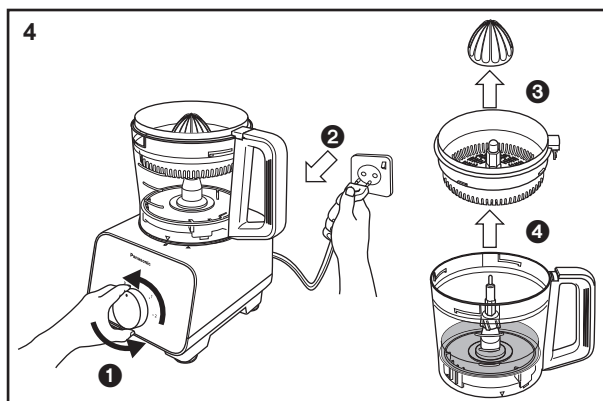
1 Posizionare il Cono per Agrumi sul Recipiente. Girare in senso orario fino a quando si sente un “clic”. Fissare il Cono per Agrumi sull’Albero Motore.



2 Disporre il Recipiente nell’Alloggiamento del Motore come illustrato a pagina IT10. Inserire la spina nella presa di corrente e accendere la manopola per selezionare la velocità desiderata.



3 Posizionare il frutto tagliato a metà con la parte da spremere sopra il Cono per Agrumi e premere con forza per estrarre il succo.



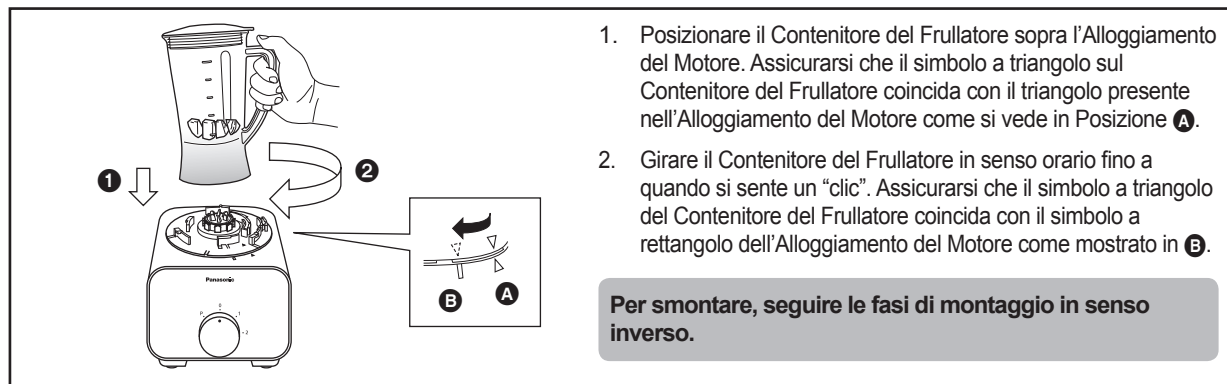
4 Al termine dell’operazione, rimettere la manopola in posizione OFF “0” e staccare la spina dalla presa di corrente. Rimuovere lo Spremiagrumi dal Recipiente prima di versare fuori il succo estratto.

Nota:


- Assicurarsi che il Cono per Agrumi sia posizionato sul Colino per Agrumi prima dell’uso.
- Arrestare la preparazione a intervalli per togliere la polpa rimanente dal Colino per Agrumi e facilitare il processo di estrazione del succo.
- Si raccomanda di non utilizzare lo Spremiagrumi a velocità 2.
- Evitare di toccare il Cono spremiagrumi quando sta girando.

FRULLATORE

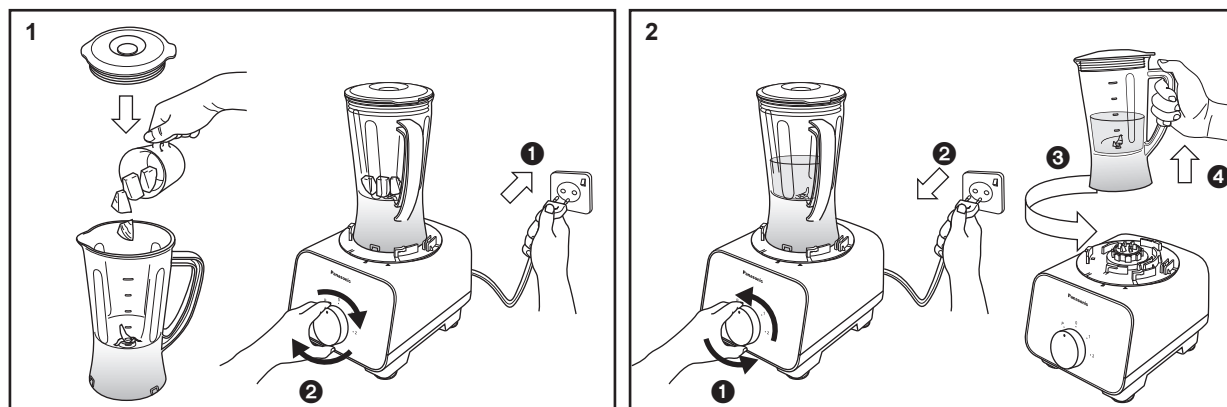
Introduzione



Preparazione degli ingredienti per il Frullatore

Funzione	Ingredienti	Velocità	Un solo utilizzo Max	Tempo di funzionamento (ca.)	Metodo di preparazione
Liquefare	Frutta, verdura	2	1,000 mL	~ 2 min	 Tagliare a cubetti da 1 cm.

Come si usa: Frullatore



Inserire gli ingredienti nel Contenitore del Frullatore e chiudere utilizzando il Coperchio del Frullatore. Fissare l'Unità del Frullatore nell'Alloggiamento del Motore come illustrato sopra. Inserire la spina nella presa di corrente e accendere la manopola per selezionare la velocità desiderata.

Al termine dell'operazione, rimettere la manopola in posizione OFF "0" e staccare la spina dalla presa di corrente. Rimuovere l'Unità del Frullatore dall'Alloggiamento del Motore e procedere a rimuovere gli ingredienti.

Nota:

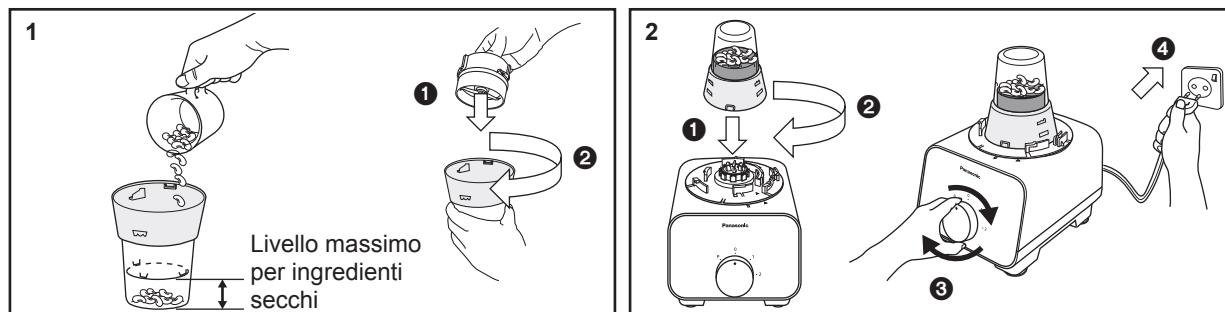
- Capacità di lavoro massima: 1 L.
- Ingredienti vietati per il Contenitore del Frullatore: Consultare pagina IT6.
- Non è consigliabile frullare gli ingredienti duri e viscosi. Tuttavia, se necessario, tagliare gli ingredienti duri in piccoli pezzi (ad esempio tagliare le carote in cubetti da 1 cm³) e riempire il Contenitore del Frullatore con gli ingredienti senza superare la metà della capacità nominale.
- Non superare il livello massimo consentito di riempimento e ridurre gli ingredienti quando l'apparecchio emette un rumore anomalo o vibrazioni durante l'uso.
- Aggiungere ingredienti morbidi (frutta, verdure) nella Caraffa del Frullatore prima di aggiungere altri ingredienti.
- Se la Lama da Taglio si blocca, spegnere immediatamente e staccare la spina. Non tentare di staccare gli ingredienti con le dita, usare un oggetto come ad esempio una spatola di gomma.
- Durante la miscelazione, potrebbe accadere che gli ingredienti schizzino fuori dal foro del Coperchio del Frullatore. In tal caso, rimuovere lo sporco con un panno asciutto.
- Non superare la durata nominale (2 min ON, 2 min OFF).

TRITATUTTO

Preparazione degli ingredienti per il Tritatutto

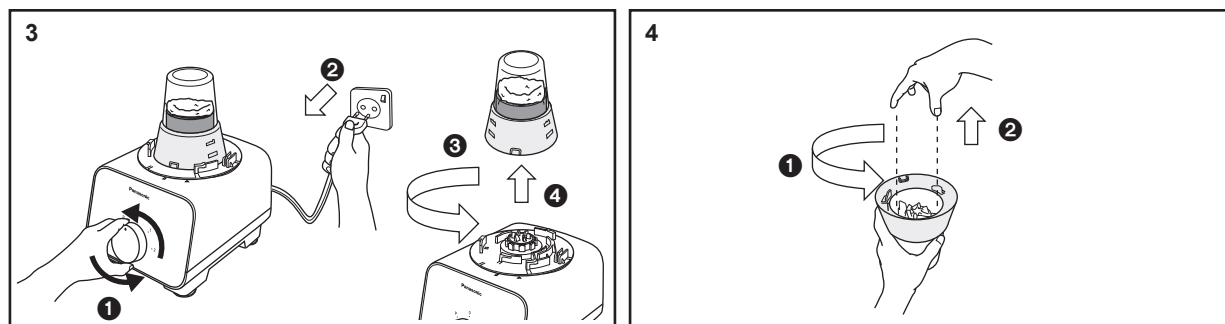
Funzione	Ingredienti	Velocità	Un solo utilizzo Max	Tempo di funzionamento (ca.)	Metodo di preparazione
Granelli	Chicco di caffè	2	Fino al livello massimo	~ 60 sec	-
	Pepe				

Come si usa: Tritatutto



Mettere il Contenitore del Tritatutto a testa in giù e riempire con gli ingredienti senza superare il livello massimo indicato. Posizionare la Base del Contenitore del Tritatutto nel Contenitore del Tritatutto e girare in senso orario fino a quando si sente un "clic". Assicurarsi che le scanalature sulla superficie esterna della base del contenitore tritatutto e sulla superficie interna del contenitore del tritatutto siano saldamente agganciate.

Fissare l'Unità Tritatutto nell'Alloggiamento del Motore. Girare l'Unità Tritatutto in senso orario fino a quando si sente un "clic". Inserire la spina nella presa di corrente e accendere la manopola per selezionare la velocità desiderata.



Al termine dell'operazione, rimettere la manopola in posizione OFF "0" e staccare la spina dalla presa di corrente. Rimuovere l'Unità Tritatutto dall'Alloggiamento del Motore e procedere a rimuovere gli ingredienti.

Girare la Base del Contenitore del Tritatutto in senso antiorario per sbloccare e sollevare dal Contenitore del Tritatutto.

Nota:

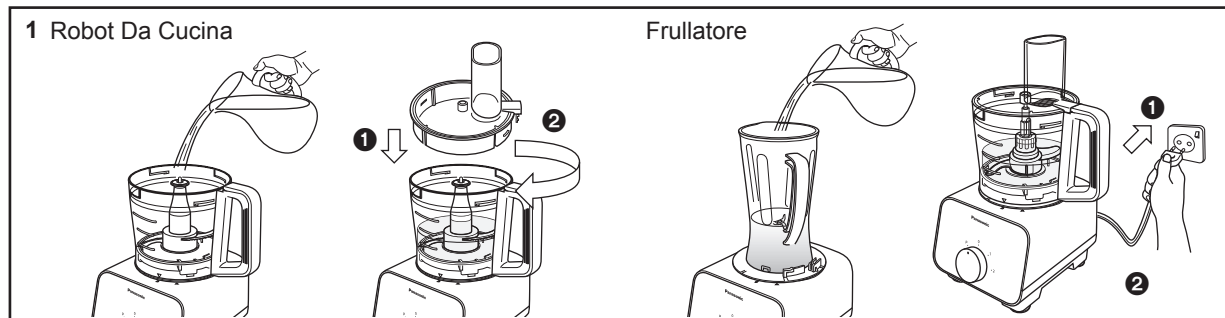
- Mentre si rimuovono gli ingredienti, fare attenzione alla Lama da Taglio.
- Non superare la durata nominale (1 min ON, 2 min OFF).
- Ingredienti vietati: Consultare pagina IT6.
- Non utilizzare l'unità con il Tritatutto vuoto.
- Non superare il livello massimo consentito di riempimento e ridurre gli ingredienti quando l'apparecchio emette un rumore anomalo o vibrazioni durante l'uso.

DOPO L'USO

Pulizia

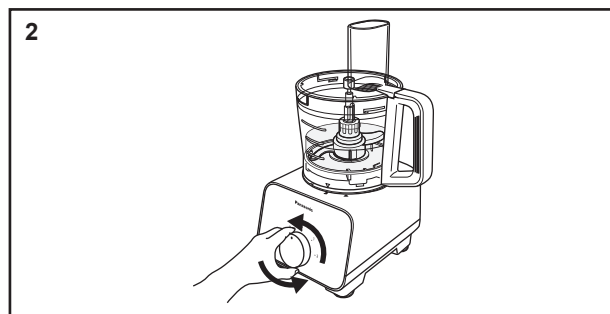
Prelavaggio

Il prelavaggio permette una pulizia più semplice. Può essere utilizzato per la Lama da taglio e l'Unità del Frullatore. Per il prelavaggio, è sufficiente seguire la seguente procedura.

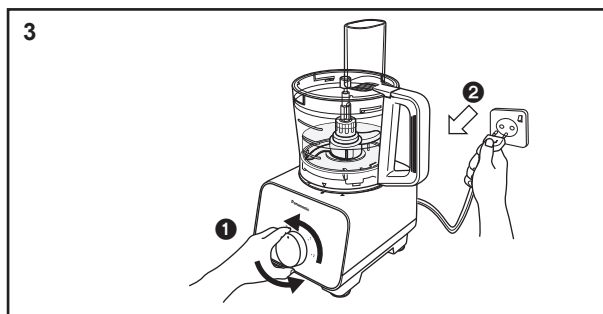


1 Robot Da Cucina: Mettere l'accessorio utilizzato all'interno del Recipiente, riempire il Recipiente con acqua finché l'accessorio sia immerso in acqua (max. 500 mL). Mettere il Coperchio del Recipiente sulla parte superiore del Recipiente e ruotare in senso orario fino a quando non si sente un "click".

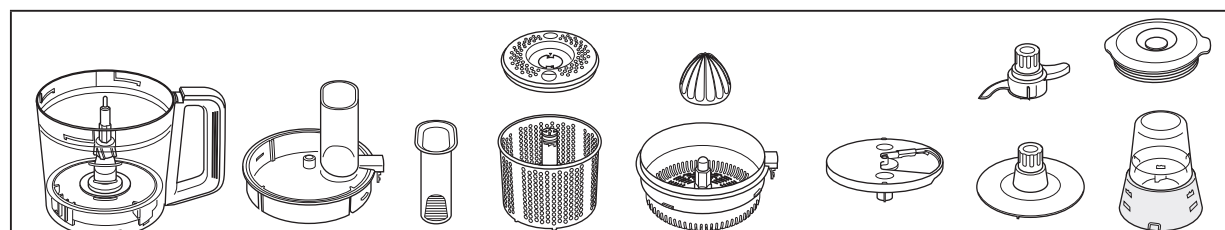
Frullatore: Per l'Unità Frullatore riempire la caraffa con 500 mL di acqua e coprire con il coperchio. Inserire la spina nella presa di corrente.



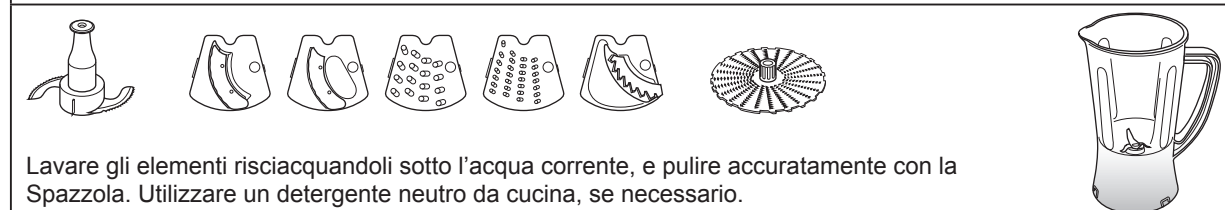
2 Robot da cucina: Girare la manopola in modalità "IMPULSO" 5 ~ 10 volte. Frullatore: Ruotare la manopola per selezionare la velocità 2 e operare per 10 ~ 20 secondi.



3 Mettere la manopola in posizione OFF "0" e staccare la spina dalla presa. Rimuovere gli accessori e procedere con la pulizia.



Lavare gli elementi risciacquandoli sotto l'acqua corrente. Utilizzare un detergente neutro da cucina, se necessario. Procedere ad asciugarli con un panno pulito.



Lavare gli elementi risciacquandoli sotto l'acqua corrente, e pulire accuratamente con la Spazzola. Utilizzare un detergente neutro da cucina, se necessario.

Nota:

- Questi elementi sono estremamente taglienti e devono essere maneggiati con cautela durante la pulizia. Evitare di fare sbattere questi elementi con oggetti duri durante la pulizia.
- La Base del Contenitore per Tritatutto non deve essere lavata, utilizzare la Spazzola per la pulizia.

Italiano

DOPO L'USO

Alloggiamento del Motore / Piedino in gomma

Pulire lo sporco e le macchie con un panno umido.

Nota:

- Assicurarsi che il cavo dell'alimentazione sia scollegato prima di pulire l'Alloggiamento del Motore.
- Non lavare l'Alloggiamento del Motore sotto l'acqua corrente.
- Non usare mai liquidi corrosivi (ad esempio, alcol, diluenti, ecc) per pulire l'Alloggiamento del Motore.

Pulire con la lavastoviglie

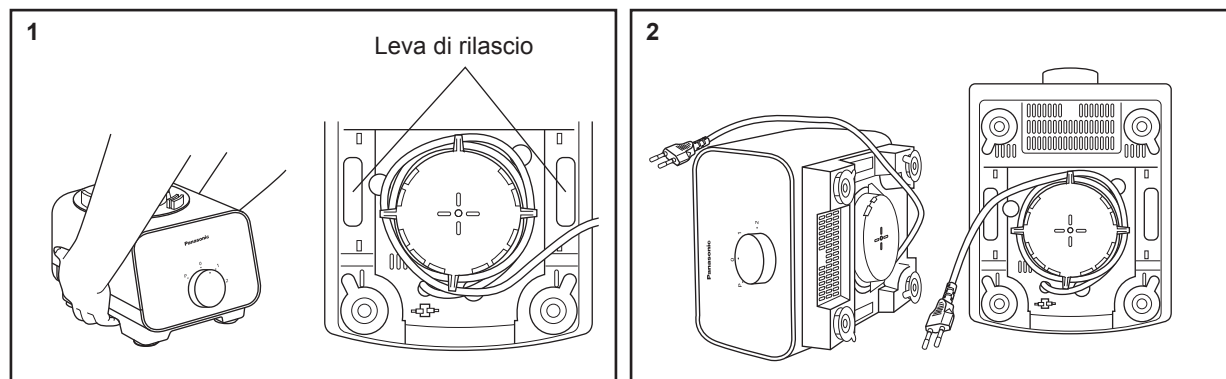
Il Recipiente e il Coperchio del Recipiente sono lavabili in lavastoviglie.

Nota:

- Non posizionare questi elementi nei pressi della zona di riscaldamento della lavastoviglie poiché le alte temperature possono danneggiare le parti.

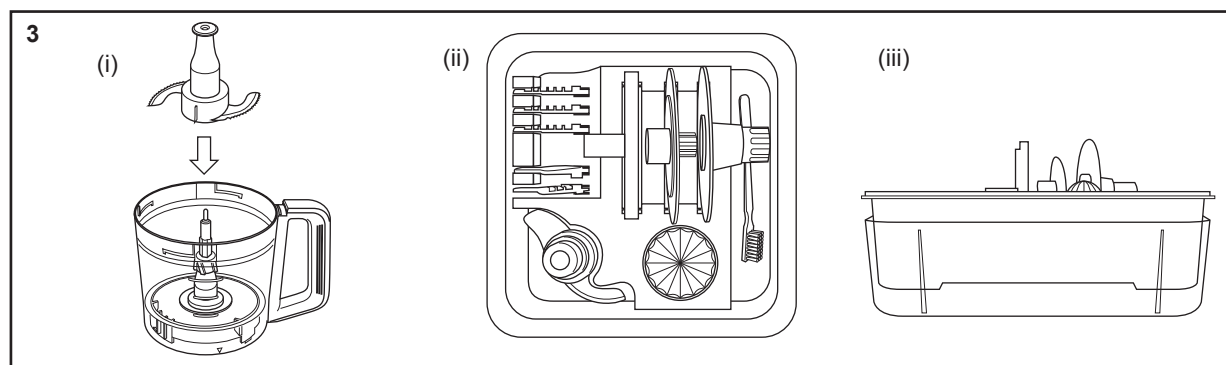
Conservazione

Assicurarsi che tutti gli allegati e il Recipiente vengano rimossi dall'Alloggiamento del Motore prima della conservazione.



1 Per rilasciare la presa del Piedino in Gomma dell'Alloggiamento del Motore, premere la leva di rilascio situata sul lato inferiore dell'alloggiamento del motore contemporaneamente come si vede nella figura sopra e sollevare.

2 Inclinare l'Alloggiamento del Motore su un lato e procedere ad avvolgere il Cavo di Alimentazione attorno alla Zona di Avvolgimento del Cavo parzialmente, lasciando la Spina ai lati.



(i) Conservare la Lama da taglio dentro il Recipiente. Per conservare gli altri allegati è inclusa in dotazione una Scatola apposita. Conservare gli allegati correttamente come da condizioni di imballaggio.

(ii) Elenco degli allegati nella Scatola di Conservazione: Lama per Impastare, Cono per Agrumi, Lama per affettare grossolanamente, Lama per affettare finemente, Lama per sminuzzare fine, Lama per sminuzzare grossa, Lama per patatine, Lama per grattugiare, Disco panna montata, Spazzola.

(iii) Mettere il coperchio Contenitore accessori sotto la custodia alla raccogliere l'acqua drenata dagli allegati lavati.

Nota:

- Smaltire la plastica flessibile coprire dopo l'apertura della Contenitore accessori.

RISOLUZIONE DEI PROBLEMI

Controllare i seguenti punti prima di contattare il centro di assistenza.

Problema	Causa e Azione
L'apparecchio non si accende.	<ul style="list-style-type: none">● La spina è allentata nella presa.<ul style="list-style-type: none">➔ Inserire la spina saldamente nella presa.
L'apparecchio non funziona anche quando la manopola è attivata.	<ul style="list-style-type: none">● Il Recipiente, l'Unità del Frullatore o l'Unità Tritatutto non sono fissate correttamente sull'Alloggiamento del Motore.<ul style="list-style-type: none">➔ Assicurarsi che il simbolo a triangolo presente sugli allegati corrisponda al rettangolo posto sull'Alloggiamento del Motore come si vede a pagina IT9.● Il Coperchio del Recipiente o Spremiagrumi non è completamente fissato sul Recipiente.<ul style="list-style-type: none">➔ Fissare saldamente il Coperchio del Recipiente o il Filtro sul Recipiente.● Gli ingredienti sono inceppati.<ul style="list-style-type: none">➔ Rimuovere accuratamente gli ingredienti e assicurarsi che la quantità utilizzata sia quella indicata.
L'apparecchio si spegne improvvisamente durante l'uso.	<ul style="list-style-type: none">● La protezione dell'interruttore è attivata. (Consultare pagina IT8)<ul style="list-style-type: none">• Sono stati inseriti troppi ingredienti.<ul style="list-style-type: none">➔ Rimuovere gli ingredienti in eccesso e assicurarsi che la quantità utilizzata sia quella indicata.• Sono stati utilizzati pezzi di grandi dimensioni o ingredienti duri.<ul style="list-style-type: none">➔ Assicurarsi che gli ingredienti siano stati tagliati nelle dimensioni indicate. Non utilizzare ingredienti duri come alimenti surgelati o solidi ad alta densità.● Il blocco di sicurezza è stato attivato. (Consultare pagina IT9)<ul style="list-style-type: none">• Anomale vibrazioni durante l'uso possono controbilanciare il blocco di sicurezza.<ul style="list-style-type: none">➔ Assicurarsi che gli ingredienti utilizzati e le quantità siano quelli indicati.➔ Fissare il Coperchio del Recipiente o il Colino per Agrumi con fermezza sul Recipiente, e assicurarsi che il Recipiente, l'Unità per il Frullatore o l'Unità Tritatutto siano bloccate saldamente sull'Alloggiamento del Motore.
Vibrazioni anomale e rumore si verificano durante l'uso.	<ul style="list-style-type: none">● Il Piedino in Gomma e/ o il piano di lavoro non sono puliti.<ul style="list-style-type: none">➔ Pulire lo sporco e le macchie con un panno umido. Il Piedino in Gomma è efficace solo quando è posto su una superficie pulita, liscia e piana.● Gli ingredienti utilizzati per la trasformazione sono troppi o troppo duri.<ul style="list-style-type: none">➔ Assicurarsi che gli ingredienti utilizzati siano quelli indicati, ridurre gli ingredienti se sono in eccesso rispetto alla quantità consigliata.
L'aspetto e la consistenza degli ingredienti lavorati non sono venuti bene.	<ul style="list-style-type: none">● Alcuni ingredienti potrebbero essere troppo difficili da trasformare crudi, come ad esempio la zucca.<ul style="list-style-type: none">➔ Potrebbe essere necessario precuocere alcuni ingredienti per ammorbidirli prima della trasformazione, fino a quando una forchetta possa facilmente forare.● La dimensione dell'ingrediente non si basa sul metodo di preparazione.<ul style="list-style-type: none">➔ Preparare seguendo il formato indicato.● Trasformare determinati ingredienti contemporaneamente, può causare la formazione di grumi rimanenti per la funzione Congelato.● La quantità massima di ingredienti e la durata del processo hanno lo scopo di servire da guida, una minore quantità di ingredienti e ingredienti diversi possono influire sulla prestazione.<ul style="list-style-type: none">➔ Lavorare gli ingredienti con una durata adeguata fino a ottenere l'aspetto e la consistenza desiderati.

SPECIFICHE

Nome modello	MK-F500	
Funzione	Robot Da Cucina	Frullatore & Tritatutto
Alimentazione	220 - 240 V ~ 50 - 60 Hz	
Consumo di energia	180 - 200 W	
Interruttore	Manopola	
Tensione nominale	2 minuti ON, 4 minuti OFF	Frullatore: 2 minuti ON, 2 minuti OFF Tritatutto: 1 minuto ON, 2 minuti OFF
	Fatta eccezione per quanto indicato alla pagina "Preparazione degli ingredienti".	
Dimensioni prodotto (Circa) (AxLxP)	435 x 264 x 265 mm	Blender : 406 x 264 x 265 mm Dry Mill : 298 x 264 x 265 mm
Larghezza prodotto (Circa)	3,1 kg	Blender : 2,8 kg Dry Mill : 2,6 kg
Capacità (Circa)	Capacità contenitore: 2.5 L Capacità d'uso massima: Solo liquidi = 1,5 L Solo solidi = 600 g	Frullatore: 1L Tritatutto: 50 g (Chicchi di caffè)
	Fatta eccezione per quanto indicato alla pagina "Preparazione degli ingredienti".	
Componenti & Accessori	Lama per Coltello, Lama per Grattugiare, Lama per Impastare, Lama per Montare, Scolainsalata, Supporto per Lama, Lama per Tritare (Grossa & Sottile), Lama per Affettare (Spesse/Sottili), Lama per Julienne, Spremiagrumi e Unità per la conservazione	Unità del frullatore, Unità Tritatutto
Accessori comuni	Spazzola con Spatola	
Elementi lavabili in lavastoviglie	Recipiente e Coperchio del Recipiente	
Rumore aereo	88 (dB (A) re 1 pW)	88 (dB (A) re 1 pW)



Smaltimento di vecchie apparecchiature

Solo per Unione Europea e Nazioni con sistemi di raccolta e smaltimento

Questo simbolo sui prodotti, sull'imballaggio e/o sulle documentazioni o manuali accompagnanti i prodotti indica che i prodotti elettrici, elettronici non devono essere buttati nei rifiuti domestici generici.

Per un trattamento adeguato, recupero e riciclaggio di vecchi prodotti vi invitiamo a portarli negli appositi punti di raccolta secondo la legislazione vigente nel vostro paese.

Con uno smaltimento corretto, contribuirete a salvare importanti risorse e ad evitare i potenziali effetti negativi sulla salute umana e sull'ambiente.

Per ulteriori informazioni su raccolta e riciclaggio, vi invitiamo a contattare il vostro comune.

Lo smaltimento non corretto di questi rifiuti potrebbe comportare sanzioni in accordo con la legislazione nazionale.

TABLA DE CONTENIDO

	Página
PRECAUCIONES DE SEGURIDAD	SP3 - SP5
INFORMACIÓN IMPORTANTE	SP6
NOMBRES DE PARTES	SP7 - SP8
PROTECCIÓN DEL INTERRUPTOR DE CIRCUITO	SP8
SEGURO	SP9
DESMONTAJE	SP9
PROCESADOR DE ALIMENTOS	
(i) INTRODUCCIÓN	SP9
(ii) CUCHILLAS ROTATIVAS • CUCHILLAS PARA AMASAR • CUCHILLA PARA MONTAR • CUCHILLA PARA RALLAR	SP10 - SP12
– Preparación de ingredientes	
– Modo de uso	
(iii) CUCHILLAS PARA RODAJAS • CUCHILLAS PARA TIRAS • CUCHILLAS PARA TIRAS EN JULIANA.....	SP13 - SP14
– Preparación de ingredientes	
– Modo de uso	
(iv) ESCURRIDOR DE ENSALADA	SP15
– Preparación de ingredientes	
– Modo de uso	
(v) EXPRIMIDOR DE CÍTRICOS	SP16
– Preparación de ingredientes	
– Modo de uso	
LICUADORA	
(i) INTRODUCCIÓN	SP17
(ii) LICUADORA.....	SP17
– Preparación de ingredientes	
– Modo de uso	
ACCESORIO PARA MOLER EN SECO	
(i) ACCESORIO PARA MOLER EN SECO	SP18
– Preparación de ingredientes	
– Modo de uso	
DESPUÉS DEL USO	SP19 - SP20
SOLUCIÓN DE PROBLEMAS	SP21
ESPECIFICACIONES	SP22

PRECAUCIONES DE SEGURIDAD (Asegúrese de seguir estas instrucciones)


Para evitar accidentes o lesiones para el usuario, terceras personas o daños materiales, siga las siguientes instrucciones.


■ Los siguientes cuadros indican el grado de daño causado por la operación errónea.

 **ADVERTENCIA** Indica lesión grave o muerte.


 **PRECAUCIÓN** Indica riesgo de lesión o daños materiales.

■ Los símbolos se clasifican y explican como sigue.

 Este símbolo indica prohibición.

 Este símbolo indica que se debe seguir este requerimiento.


ADVERTENCIA

-  ● **No dañe el Cable o el Enchufe.**
(Puede causar una descarga eléctrica, o incendio causado por corto circuito.)
- **No use el dispositivo si el Cable o el Enchufe están dañados o el Enchufe está conectado en forma floja a la toma.**
(Puede causar una descarga eléctrica, o incendio causado por corto circuito.)
 - ➔ Si el Cable está dañado, debe ser remplazado por el fabricante, su agente de reparación o persona similarmente calificada para evitar un peligro.
- **No enchufe o desenchufe el enchufe con las manos húmedas.**
(Puede causar una descarga eléctrica.)
- **No exceda el voltaje en la toma y no use corriente alterna que no sea la mencionada en el dispositivo.**
(Puede causar una descarga eléctrica e incendio.)
 - Asegúrese de que el voltaje suministrado al dispositivo es el mismo que el de su suministro local.
 - Si se enchufan otros dispositivos en la misma toma se puede producir un sobre calentamiento eléctrico.
- **No sumerja el dispositivo en agua ni lo salpique con agua.**
(Puede causar una descarga eléctrica o incendio causado por corto circuito.)
- **No desmonte, repare o modifique el dispositivo.**
(Puede causar una descarga eléctrica e incendio o lesión.)
 - ➔ Contacte con el centro de reparaciones para la reparación.
- **No inserte ningún objeto en la ventilación o la abertura.**
(Puede causar una descarga eléctrica o malfuncionamiento.)
 - Especialmente objetos de metal tales como alfileres o alambres.
- **No remplace ninguna parte del dispositivo con repuestos que no sean los originales de este producto.**
(Puede causar lesión, una descarga eléctrica o incendio.)
- **No trate de quitar la Tapa cuando el aparato está aún funcionando.**
(Puede causar lesión.)
- **No use agua caliente (más de 60 °C) para fines de limpieza, o fuego para secar el aparato.**
(Puede causar quemadura o mal funcionamiento.)

ADVERTENCIA


- **No coloque los ingredientes calientes (más de 60 °C) en el Recipiente o la Jarra de la licuadora.**
(Puede causar lesión o malfuncionamiento.)
 - **No opere sin la Tapa de la licuadora en el lugar correcto para la Jarra de la licuadora.**
(Puede causar lesión.)
 - **No ponga los dedos ni utensilios como una cuchara, un tenedor, etc. en el Recipiente o la Jarra de la licuadora durante la operación.**
(Puede causar, lesión, descarga eléctrica o un incendio.)
 - **No empuje el Pin de seguridad y la palanca de seguridad con cualquier instrumento, palito, etc. ya que el aparato podría estar encendido.**
(Puede causar lesión.)
-
- **Este dispositivo no debe ser usado por niños.**
Mantenga el dispositivo y su cable fuera del alcance de los niños.
Los dispositivos pueden ser usados por personas con capacidades físicas, sensoriales o mentales reducidas, o con falta de experiencia y conocimiento, si se les ha dado supervisión o instrucciones con respecto al uso del dispositivo de manera segura y entienden los peligros involucrados.
Los niños no deben jugar con el dispositivo.
(Puede causar quemadura, lesión o una descarga eléctrica.)
 - **Inserte el Enchufe firmemente.**
(De otro modo puede causar una descarga eléctrica e incendio causado por el calor que puede generarse alrededor del Enchufe.)
 - **Limpie el Enchufe con regularidad.**
(Un Enchufe húmedo puede causar aislación insuficiente debido a la humedad, y puede causar incendio.)
 - **Si ocurre algo anormal o hay una rotura, deje de usar el dispositivo inmediatamente y desenchufe.**
(Puede causar humo, incendio o una descarga eléctrica.)
Ejemplos de algo anormal o rotura.
 - El Enchufe y el Cable se tornan anormalmente calientes.
 - El Cable está dañado o hay un corte en el suministro de corriente.
 - La Carcasa del Motor está deformada o anormalmente caliente.
 - ➔ Desenchufe el dispositivo inmediatamente y contacte con el centro de reparaciones para la verificación o reparación.
 - **Asegúrese de sostener el Enchufe al desenchufarlo. Nunca tire del Cable.**
(De otro modo puede causar una descarga eléctrica e incendio causado por corto circuito.)
 - **Tenga cuidado si se vierte líquido caliente en el Recipiente o la Jarra de la licuadora ya que podría salirse del aparato debido a un calentamiento repentino.**
(Puede causar quemaduras.)

PRECAUCIÓN

-  ● **No deje el dispositivo sin supervisión cuando esté en uso.**
(Puede causar incendio o quemadura.)
 - Al dejarlo, apáguelo.
- **No use el dispositivo en los siguientes lugares.**
 - Una superficie no pareja, o una alfombra o mantel no resistente al calor, etc.
(Puede causar incendio o lesión.)
 - Un lugar que pueda estar salpicado con agua o cerca de una fuente de calor.
(Puede causar una descarga eléctrica o fuga corriente.)
- **No procese más de la capacidad máxima indicada en cada contenedor, respectivamente. Siga la cantidad de ingredientes recomendados para su procesamiento.**
(Puede causar lesiones.)
- **No continúe el funcionamiento durante un largo tiempo. Se recomienda dejar descansar el aparato después de cierto tiempo de funcionamiento.**
(Puede causar quemaduras.)

Función	Tiempo de funcionamiento (minutos)	Tiempo de descanso (minutos)
Procesador de alimentos	2	4
Licuada	2	2
Accesorio para moler en seco	1	2

* Con excepción de las “Preparaciones de Ingredientes” establecidas en estas Instrucciones de funcionamiento.

-  ● **Siempre desconecte el dispositivo del suministro eléctrico si se lo deja sin supervisión y antes de montar, desmontar o limpiar.**
(Puede causar una quemadura o lesiones.)
- **Saque el Recipiente, la Jarra de la Licuadora y el contenedor del molinillo antes de levantar el Alojamiento del motor de la mesa.**
(Puede causar lesiones.)
- **Apague el dispositivo y desconéctelo del suministro eléctrico antes de cambiar accesorios o acercarse a las partes que se mueven al estar en uso.**
(Puede causar lesiones.)
- **Cuando se lleva el aparato, asegúrese de sostener el motor del Alojamiento con ambas manos. Para transportarlo no lo tome solo del Recipiente o la Jarra de la licuadora o Contenedor del molinillo.**
(Puede causar lesiones.)
- **Si las Cuchillas cortantes de la licuadora se atorán, apague la Licuadora, luego desenchufe. No inserte el dedo en la Jarra de la licuadora. Use una espátula de goma para sacar los ingredientes que están bloqueando las Cuchillas cortantes de la licuadora.**
(Puede causar lesiones.)
- **Se debe tener cuidado al manipular las cuchillas afiladas y cortantes, vaciar el Recipiente o Jarra de la licuadora y limpiar. (ej. Cuchillas rotativas, Cuchillas para rodajas y etc.)**
(Puede causar lesiones.)

Información Importante

- **No coloque el aparato en los siguientes lugares.**
 - En un lugar en el que el aparato se exponga a la humedad excesiva, la temperatura o la luz directa del sol.
(Puede causar un mal funcionamiento.)
 - Cualquier lugar con temperaturas altas o bajas, tales como la nevera, el congelador, el horno o el microondas.
(Puede causar mal funcionamiento o rotura.)
- **No procese ingredientes duros (ej. Carne dura, carne con huesos) o material viscoso.**
(Puede causar mal funcionamiento.)

Ingredientes prohibidos:

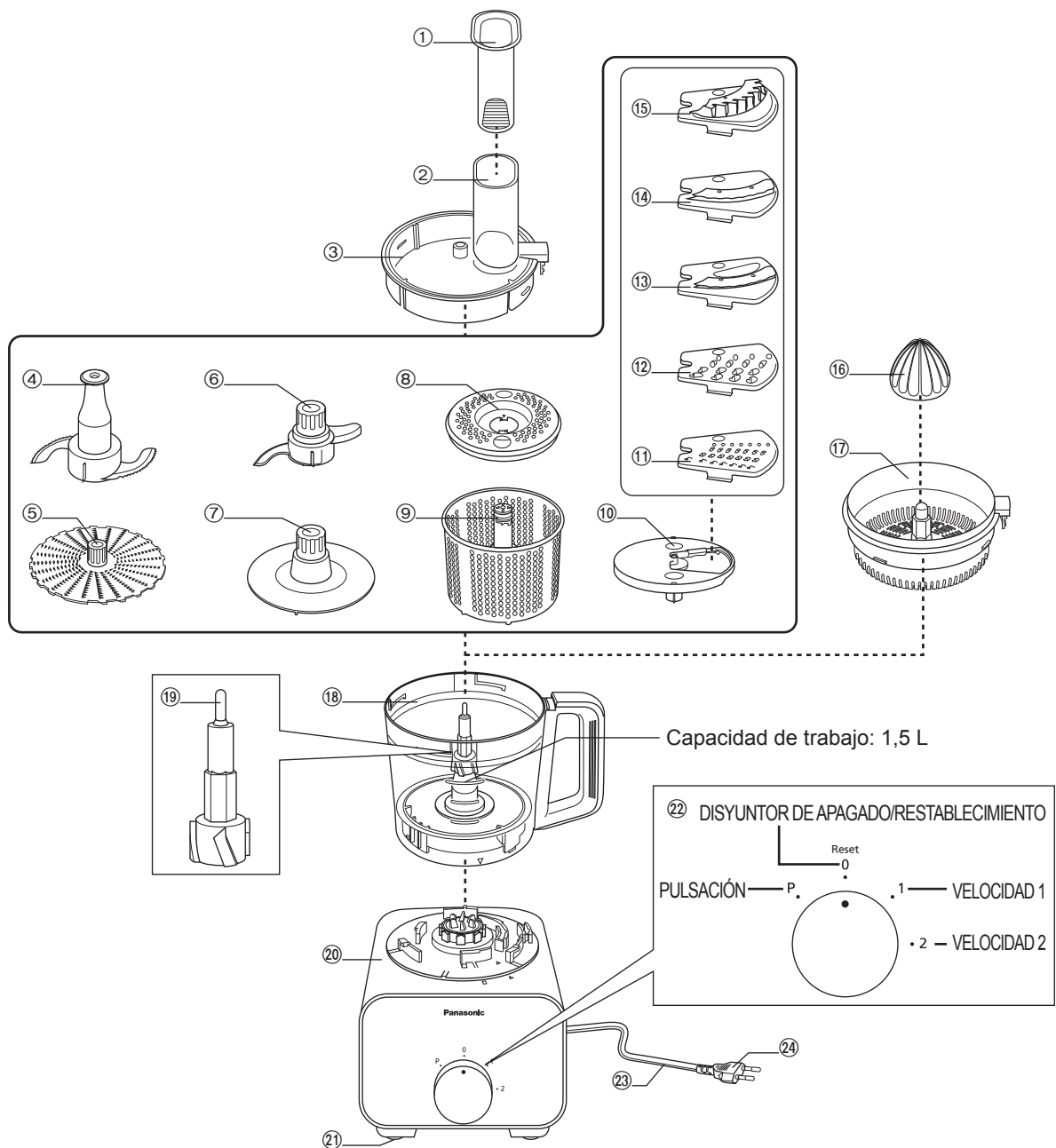
Complementos	Descripción
Cuchillas rotativas	Ingredientes duros, ingredientes viscosos, ej. Granos de café, porotos de soja secos, alimentos congelados, calamares secos y etc.
Cuchillas para rodajas, cuchillas para tiras y cuchilla para cortar en juliana	Ingredientes con altas concentraciones de fibra, ingredientes viscosos, ingredientes que son demasiado suaves, ej. verduras duras, comida congelada, jamón, cúrcuma, jengibre, lechuga, tomate, durazno, chocolate y etc.
Cuchillas para amasar	Ingredientes no adecuados para hacer masa, ej. Carne, verduras, nueces, salsas, untables.
Cuchilla para montar	Cualquier otro ingrediente aparte de claras de huevo y crema fresca.
Cuchilla para rallar	Ingredientes viscosos, ingredientes con altas concentraciones de fibra, ingredientes que son demasiado pequeños y delgados, ej. Batata, patata, apio, puerro, piñones y etc.
Escurreador de ensalada	Ingredientes gruesos grandes, ingredientes que son suaves y frágiles, por ejemplo, trozos grandes de zanahoria o patata, tomate, queso de soja, pasta, fideos, y etc...
Exprimidor de cítricos	Cualesquiera otros ingredientes aparte de los cítricos, por ejemplo, manzana, kiwi y etc.
Licuada	Ingredientes duros, ingredientes pegajosos, ingredientes con bajo contenido de agua, por ejemplo, cúrcuma, porotos de soja secos, alimentos congelados, carne, pescado, patatas hervidas o simplemente cubos de hielo y etc.
Unidad seca del Molinillo	Frutos secos duros, fruta seca, ingredientes con alta concentración de fibra dura, ingredientes húmedos, líquidos, por ejemplo, varios frutos secos, pasas, carne, verduras, huevo duro, cúrcuma, etc.

Antes de usar:

Siempre haga funcionar el aparato sobre una superficie limpia, seca, plana, resistente y suave y limpie los topes de goma (P.SP7) antes del uso para asegurarse de que la succión de goma del pie es con un rendimiento óptimo.

NOMBRES DE PARTES

Procesador De Alimentos



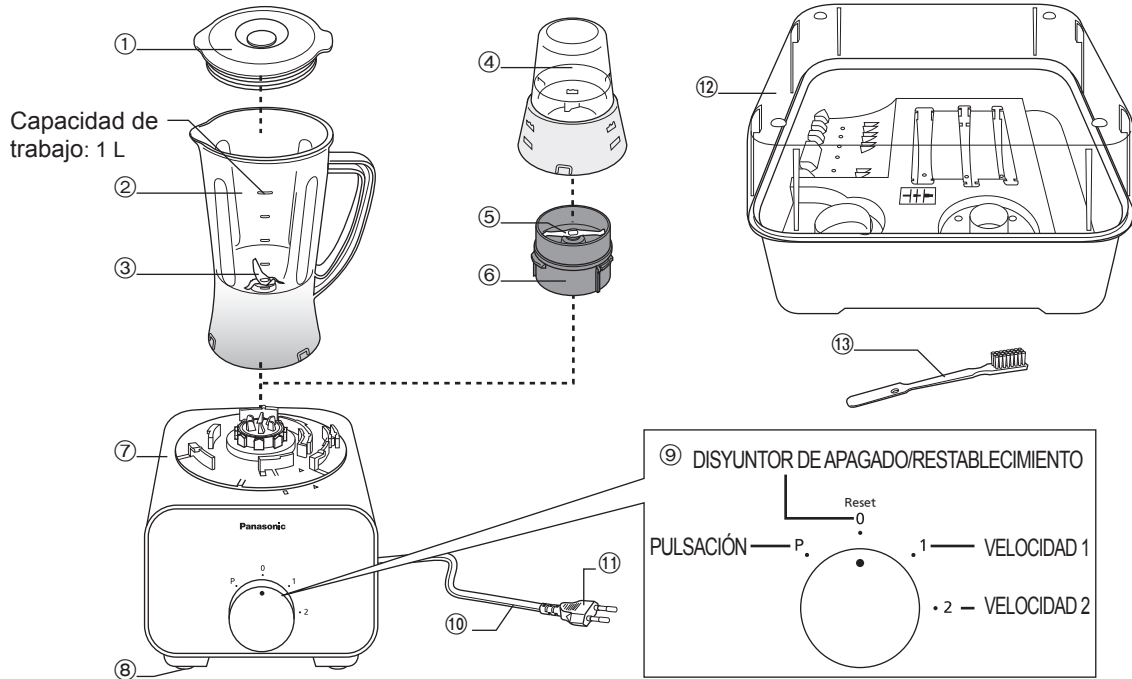
- | | |
|---------------------------------|-------------------------------------|
| 1. Empujador de alimentos | 13. Cuchilla para rodajas finas |
| 2. Tubo de entrada de alimentos | 14. Cuchilla para rodajas gruesas |
| 3. Tapa del recipiente | 15. Cuchilla para cortar en juliana |
| 4. Cuchillas rotativas | 16. Cono para cítricos |
| 5. Cuchilla para rallar | 17. Colador para cítricos |
| 6. Cuchillas para amasar | 18. Recipiente |
| 7. Cuchilla para montar | 19. Eje central |
| 8. Tapa del escurridor | 20. Alojamiento del motor |
| 9. Escurridor de ensalada | 21. Topes de goma |
| 10. Base para cuchillas | 22. Botón giratorio |
| 11. Cuchilla para tiras finas | 23. Cable |
| 12. Cuchilla para tiras gruesas | 24. *Enchufe |

*La forma del Enchufe puede variar con respecto a la del dibujo.

SP7

NOMBRES DE PARTES

Licuada, Accesorio para moler en seco y Accesorios



- | | | |
|--|--------------------------------------|--------------------------|
| 1. Tapa de la licuadora | 6. Base del contenedor del molinillo | 11. *Enchufe |
| 2. Jarra de la licuadora | 7. Alojamiento del motor | 12. Unidad de almacenaje |
| 3. Cuchillas cortantes de la licuadora | 8. Topes de goma | 13. Cepillo |
| 4. Contenedor del molinillo | 9. Botón giratorio | |
| 5. Cuchilla del molinillo | 10. Cable | |

*La forma del Enchufe puede variar con respecto a la del dibujo.

PROTECCIÓN DEL INTERRUPTOR DE CIRCUITO

Este aparato dispone de la función de disyuntor, que para el motor en caso de sobrecarga.

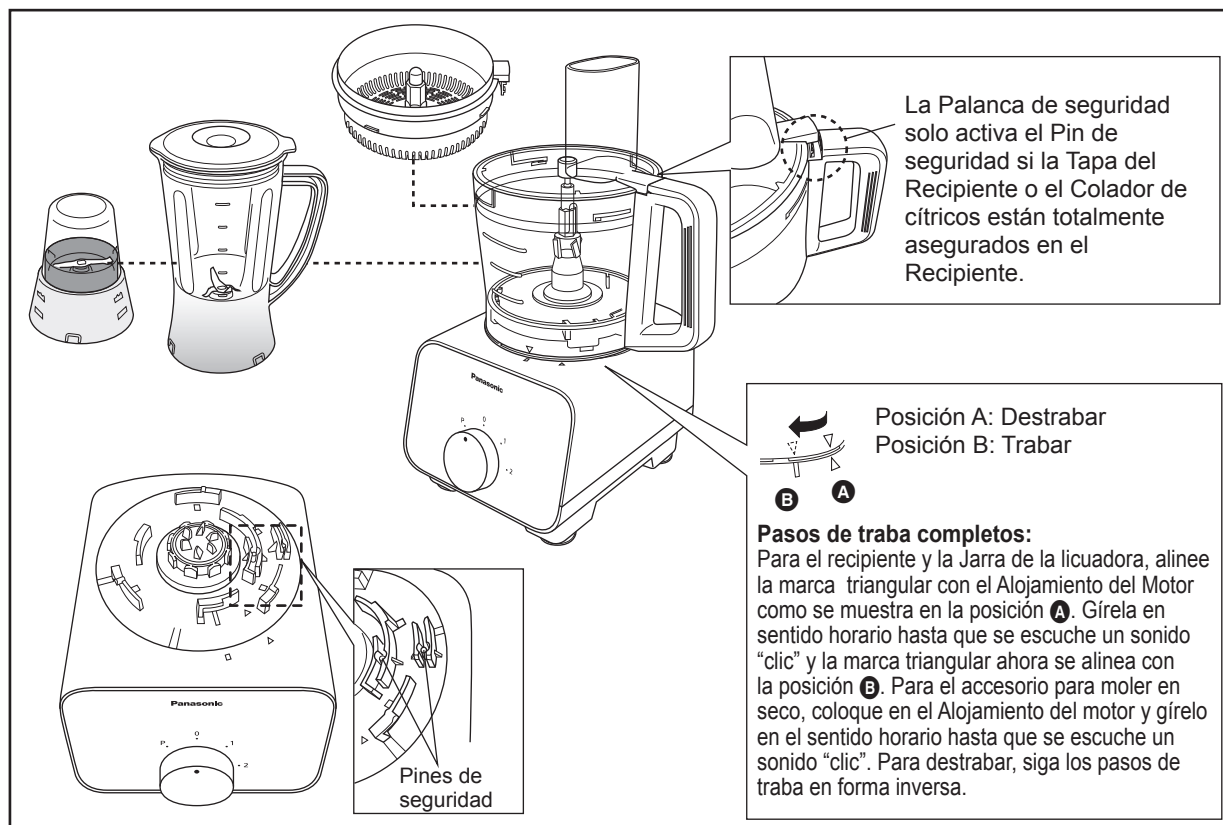
Cuando el interruptor de Circuito detiene al motor debido a la sobrecarga, apague el botón giratorio a la posición OFF "0" y siga las instrucciones a continuación:

1. Reduzca los ingredientes a menos de la mitad y reanude la operación.
2. Si aún no arranca, apague el Botón giratorio a giratorio a la posición OFF "0" de nuevo y reanude la operación.
3. Si todo lo demás falla, contacte con su centro de servicio más cercano.

SEGURO

El Pin de seguridad está diseñado para evitar que el aparato se encienda cuando

- La Tapa del recipiente o Colador de cítricos y el Recipiente no están completamente trabados entre sí.
- El Recipiente, la Jarra de la licuadora o el Contenedor del molinillo no están completamente trabados con el Alojamiento del motor.



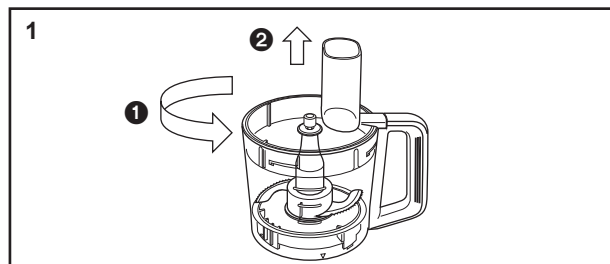
Nota:

- No empuje el Pin de seguridad y la palanca de seguridad con cualquier instrumento, palito, etc.
- No vierta líquidos o ingredientes en el área del Pin de seguridad y área de la Palanca de seguridad.
- Mantenga limpia el área del Pin de seguridad y de la Palanca de seguridad para evitar que se acumulen partículas extrañas en el área.

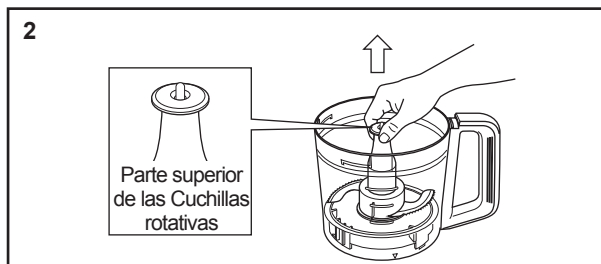
Las acciones anteriores asegurarán que el Pin de seguridad y la Palanca de seguridad funcionen correctamente. Si no se cumplen, dañará las partes relacionadas con el Pin de seguridad y la Palanca de seguridad.

DESMONTAJE

Desmontar de la condición de envasado



Rote la Tapa del recipiente en sentido antihorario y levántela del Recipiente.



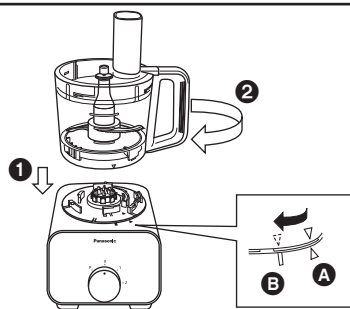
Sostenga la parte superior de las Cuchillas rotativas y elévela para retirarla del Recipiente.

Nota:

Tenga cuidado con los bordes afilados en las cuchillas cuando las saca del Recipiente.

PROCESADOR DE ALIMENTOS - INTRODUCCIÓN -

Se recomienda limpiar todos los complementos y accesorios y secarlos bien antes de usar el aparato por primera vez, consulte las páginas SP19 - SP20 para ver el método de limpieza. Desenchufar al montar la unidad. Antes de enchufar, asegúrese de que el Botón giratorio esté en la posición desconectada OFF "0". Consulte la página SP20 en "Almacenaje" para ver cómo volver a poner en posición el Alojamiento del motor.



1. Coloque el Recipiente sobre el Alojamiento del motor hasta que la marca se alinee como se muestra en **A**.
2. Gire el Recipiente en sentido horario hasta que se escuche un sonido "clic". Asegúrese de que la marca de triángulo en el Recipiente esté alineada con la marca del rectángulo en el Alojamiento del motor como se ve en **B**.

Para desmontar, siga los pasos de montaje en forma inversa.




PROCESADOR DE ALIMENTOS - CUCHILLAS ROTATIVAS • CUCHILLAS PARA AMASAR • CUCHILLA PARA MONTAR • CUCHILLA PARA RALLAR -

Preparaciones de ingredientes para Cuchillas rotativas

Función	Ingrediente	Velocidad	Cantidad	Tiempo de funcionamiento(aprox.)	Método de preparación
Moler	Carne	2	50 ~ 400 g	5 ~ 50 seg.	Remove all skin, bones, and tendons, cut into 2 ~ 3 cm cubes.
	Pescado		50 ~ 500 g	3 ~ 20 seg.	
Picar	Cebolla	1 (Intermitente)	150 ~ 500 g	4 ~ 15 veces	Quite la piel y los huesos, corte en cubos de 2~3 cm.
	Ajo	2	5 ~ 500 g	10 ~ 30 seg.	Pelar la piel.
	Zanahoria		50 ~ 450 g	10 ~ 30 seg.	Quite la piel y los huesos, corte en cubos de 2~3 cm.
	Perejil italiano		5 ~ 70 g	10 ~ 40 seg.	Retirar el tallo.
	Hongo		30 ~ 250 g	3 ~ 15 seg.	Cortar en cubos de 2~3 cm.
Machucar	Queso parmesano	2	10 ~ 200 g	10 ~ 60 seg.	Cortar en cubos de 2~3 cm.
Puré	Patata hervida	PULSACIÓN	100 ~ 400 g	3 ~ 15 veces	Cortar en cubos de 2 ~ 3 cm. No procese en exceso.
Congelado	Banana congelada	2	250 ~ 450 g	30 ~ 180 seg.	1~2 cm ancho, estado congelado medio, es decir un escarbadietes puede atravesarlo.
Picar hielo	Cubos de hielo	2	~ 10 pcs	~ 20 seg.	Cubos de hielo de 2~3 cm.
Moler	Cacahuets	2	10 ~ 200 g	15 ~ 30 seg.	Saque la cáscara y la piel de los maníes.
Pasta	Maní tostado	2	100 ~ 400 g	5 ~ 10 min	Saque la cáscara y la piel de los maníes.
Migas	Pan blanco suave	2	10 ~ 200 g	15 ~ 60 seg.	Cortar el pan blando en 6 a 8 piezas.

PROCESADOR DE ALIMENTOS - CUCHILLAS ROTATIVAS • CUCHILLAS PARA AMASAR • CUCHILLA PARA MONTAR • CUCHILLA PARA RALLAR -



Preparaciones de ingredientes para Cuchillas rotativas

Función	Ingrediente	Velocidad	Uso único Máx	Tiempo de funcionamiento(aprox.)	Método de preparación
Amasar (para pastelería)	Harina	2	~ 300 g	~ 120 seg.	 Usar para hacer dulces como caramelos y tortas.
Hacer jugo	Fruta, Líquido etc.	2	~ 1,500 mL	~ 120 seg.	 Cortar en cubos de 2 ~ 3 cm. Procese los sólidos primero. Llene de líquido sin sobrepasar el total de 1.500 mL. No agregue más de 10 piezas de cubos de hielo durante el procesamiento.
Hacer sopa	Verduras hervidas, Líquido etc.	2	~ 1,500 mL	~ 120 seg.	 Cortar en cubos de 2 ~ 3 cm. Procese los sólidos primero. Llene de líquido sin sobrepasar el total de 1.500 mL.



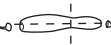
Preparaciones de ingredientes para Cuchillas para amasar

Función	Ingrediente	Velocidad	Uso único Máx	Tiempo de funcionamiento(aprox.)	Método de preparación
Amasar (para pan)	Harina para pan	2	300 g	~ 120 seg.	Mezcle levadura con agua y agregue durante el procesamiento de la masa (agregar levadura directamente antes del procesamiento puede causar escamas y elevación prematura). Si la mezcla de masa aún aparece escamosa después del procesamiento inicial, agregue 1 cucharadita de agua a la mezcla. Cuando se producen grandes vibraciones debido a que se derrama la mezcla de la masa sobre el Eje principal, agregue 1 cucharada de harina. No vuelva a procesar la masa después de que el proceso esté completo, si la masa no está satisfactoria, amase a mano.
	Líquido		160 ~ 200 mL		

Preparaciones de ingredientes para Cuchilla para montar

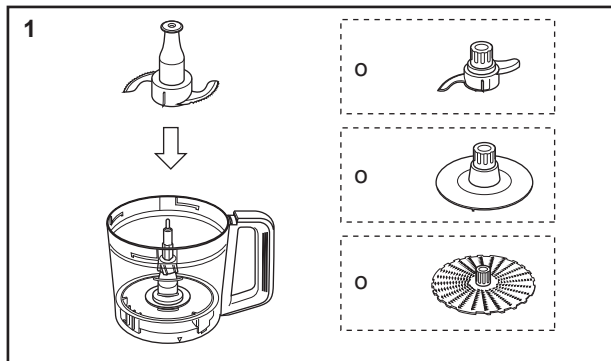
Función	Ingrediente	Velocidad	Uso único Máx	Tiempo de funcionamiento(aprox.)	Método de preparación
Batir	Clara de huevo	2	2 ~ 6 pcs	50 seg. ~ 90 seg.	 Separe la clara de la yema para un merengue suave.
	Crema		100 ~ 300 mL	15 seg. ~ 2 min	 Use crema fresca de 35% de contenido de grasa o más a 5 °C.

Preparaciones de ingredientes para Cuchilla para rallar

Función	Ingrediente	Velocidad	Uso único Máx	Tiempo de funcionamiento(aprox.)	Método de preparación
Rallar	Zanahoria	2	200 g	-	   Cortar en cubos de 2~3 cm.
	Manzana		200 g		
	Pepino		200 g		

PROCESADOR DE ALIMENTOS - CUCHILLAS ROTATIVAS • CUCHILLAS PARA AMASAR • CUCHILLA PARA MONTAR • CUCHILLA PARA RALLAR -

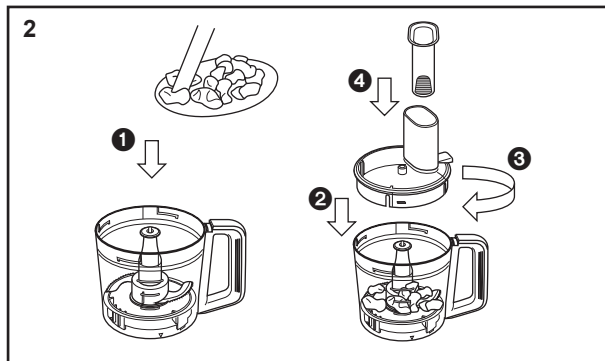
Cómo usar : Cuchillas rotativas • Cuchillas para amasar • Cuchilla para montar • Cuchilla para rallar



Coloque las Cuchillas rotativas (Cuchillas para amasar, Cuchilla para montar o Cuchilla para rallar) en el Recipiente.

Nota:

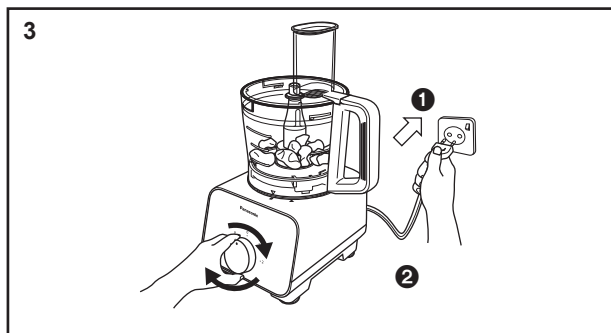
Para las Cuchillas rotativas, asegúrese de que el eje central sobresalga de las Cuchillas rotativas después de la inserción.



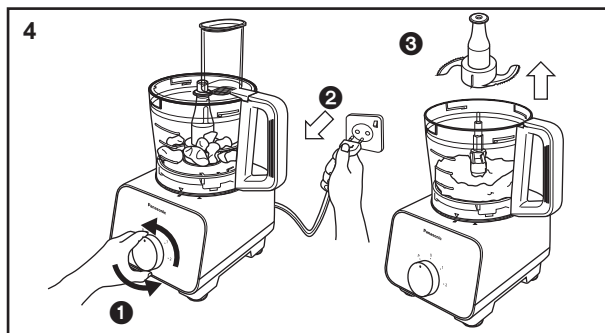
Coloque los ingredientes en el Recipiente. Coloque la Tapa del recipiente sobre el Recipiente y gírela en sentido horario hasta que se escuche un sonido 'clik'. Inserte el Empujador de alimentos en el Tubo de entrada de alimentos. Fije el montaje del Recipiente en el Alojamiento del motor como se observa en la página SP10.

Nota:

Para la cuchilla para rallar, coloque los ingredientes sobre la cuchilla y repártalos en forma pareja.



Enchufe en la toma y gire el Botón giratorio para seleccionar la velocidad requerida (consulte la "Preparación de Ingredientes" en las páginas SP10-SP11).



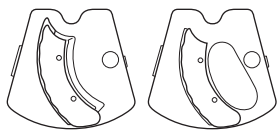
Después de que se completó el procesamiento, regrese el Botón giratorio a la posición OFF "0" y desenchufe de la toma. Saque las Cuchillas rotativas del Recipiente antes de sacar los ingredientes procesados.

Nota:

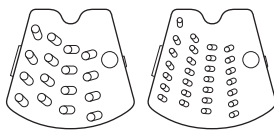
- Siempre asegúrese de que las Cuchillas rotativas estén insertadas antes de agregar ingredientes en el Recipiente.
- No exceda la cantidad establecida de ingredientes para amasar ya que podría producirse una vibración anormal.
- No inserte ingredientes calientes en el Recipiente para procesar. Siempre asegúrese de que los ingredientes estén lo suficientemente fríos antes de introducirlos, por ejemplo, patatas hervidas.
- Para hacer jugo, llene los ingredientes sólidos primero en el Recipiente, y después los ingredientes líquidos y que el volumen total no exceda los 1.500 mL.
- Cuando procese los ingredientes líquidos junto con los cubos de hielo, coloque no más de 10 piezas de cubos de hielo (Aproximadamente 170 g).
- No exceda la cantidad establecida de ingredientes para las Cuchillas para amasar ya que podría producirse una vibración anormal.
- No procese en exceso la crema batida, puede descomponerse y formar manteca.
- Si usa marcas diferentes de crema batida, tendrá resultados variados. Se recomienda procesar hasta que la crema esté suficientemente batida.
- En función de la velocidad y la cantidad de ingredientes usados, habrá vibraciones significativas presentes. En ese caso, sostenga la Tapa del recipiente con ambas manos para sujetarla durante su funcionamiento.
- Para amasar, no reprocese después de que se haya formado la masa la primera vez.
- Grandes cantidades de azúcar y manteca pueden causar vibración anormal cuando se usa la Cuchilla para amasar.
- Usar harina que no sea harina para pan en la Cuchilla para amasar puede causar vibración. Antes de procesar, quite 1 ~ 2 cdtas. de agua de la cantidad total establecida y agregue el agua de a poco durante el procesamiento si es necesario.

Español

PROCESADOR DE ALIMENTOS - CUCHILLAS PARA RODAJAS • CUCHILLAS PARA TIRAS • CUCHILLAS PARA TIRAS EN JULIANA -



Cuchillas para rodajas (Gruesas/finas)
- Usadas para cortar ingredientes en rodajas



Cuchillas para tiras (gruesas y finas)
- Usadas para cortar en tiras y rallar ingredientes.



Cuchilla para cortar en juliana
- Usada para hacer patatas fritas y cortar ingredientes en tiras.

Preparaciones de ingredientes para Cuchillas para rodajas (gruesas y finas)

Función	Ingrediente	Velocidad	Uso único Máx	Tiempo de funcionamiento(aprox.)	Método de preparación
Cortar en rodajas	Pepino	2	700 g	-	<p>Corte los ingredientes hasta que sean lo suficientemente pequeños para entrar en el Tubo de entrada de alimentos.</p>
	Cebolla		700 g		
	Zanahoria		600 g		
	Papa		600 g		
	Repollo		400 g		

Preparaciones de ingredientes para Cuchillas para tiras (gruesas y finas)

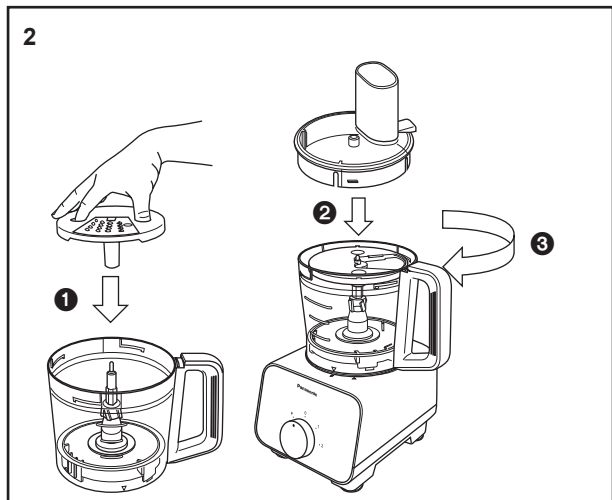
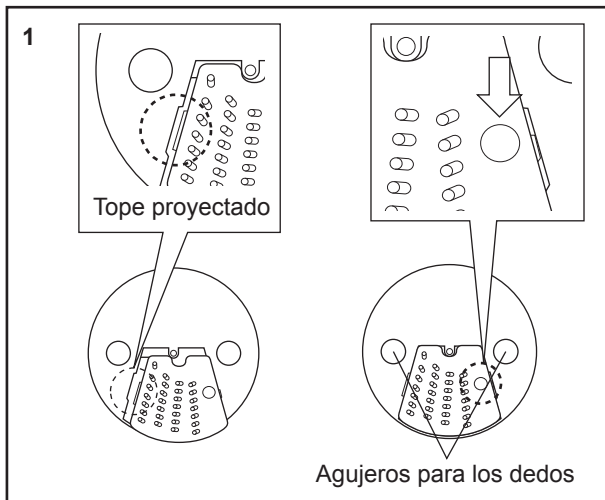
Función	Ingrediente	Velocidad	Uso único Máx	Tiempo de funcionamiento(aprox.)	Método de preparación
Tiras	Pepino	2	500 g	-	<p>Corte los ingredientes hasta que sean lo suficientemente pequeños para entrar en el Tubo de entrada de alimentos.</p>
	Zanahoria		500 g		
	Papa		650 g		
	Queso		500 g		<p>Corte los ingredientes hasta que sean lo suficientemente pequeños para entrar en el Tubo de entrada de alimentos. No use ingredientes duros como el Parmesano.</p>

Preparaciones de ingredientes para Cuchilla para cortar en juliana

Función	Ingrediente	Velocidad	Uso único Máx	Tiempo de funcionamiento(aprox.)	Método de preparación
Patata frita	Papa	2	800 g	-	<p>Corte los ingredientes hasta que sean lo suficientemente pequeños para entrar en el Tubo de entrada de alimentos.</p>
Tiras	Repollo		500 g		

PROCESADOR DE ALIMENTOS - CUCHILLAS PARA RODAJAS • CUCHILLAS PARA TIRAS • CUCHILLAS PARA TIRAS EN JULIANA -

Cómo usar: Cuchillas para rodajas (Gruesas/Finas), Cuchillas para tiras (gruesas y finas), Cuchilla para cortar en juliana



Ajuste el retén que sobresale de la cuchilla deseada en la Base para cuchillas y asegúrese de que esté asentada apropiadamente. Empuje hacia abajo en el surco en la cuchilla como se ve arriba hasta que se escuche un sonido de “chasquido”.

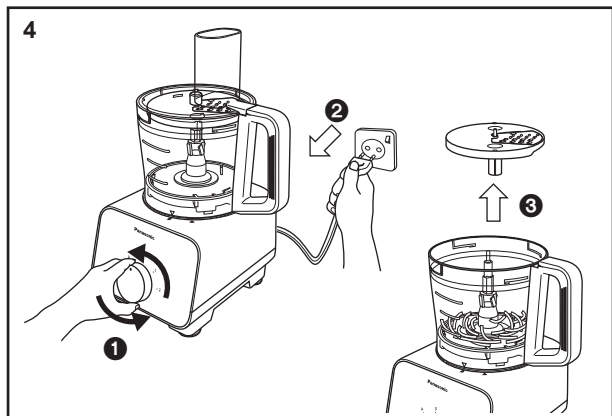
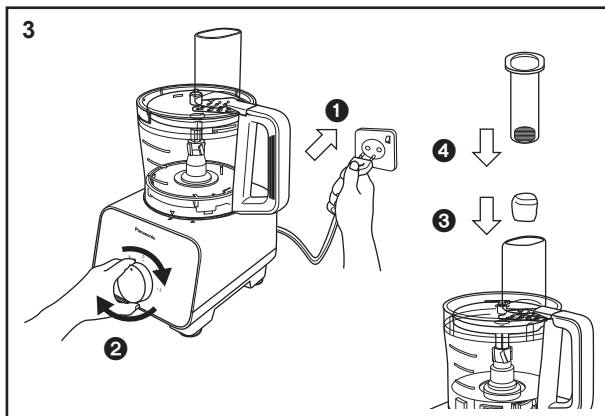
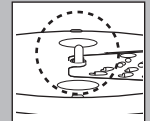
Coloque el dedo y el pulgar en los agujeros para los dedos para tomar la Base para cuchillas. Coloque la Base para cuchillas montada en el Recipiente. Fije el Recipiente en el Alojamiento del motor como se ve en la página SP9, luego coloque la Base para cuchillas en el Recipiente. Coloque la Tapa del recipiente sobre el Recipiente y gírela en sentido horario hasta que se escuche un sonido ‘clic’.

Nota:

- Tenga cuidado con los bordes afilados en las cuchillas al insertarlas en la Base para cuchillas.
- Para quitar la cuchilla, gire la Base para cuchillas y empuje hacia abajo en el lado inverso del surco en la cuchilla.

Nota:

Asegúrese de que el eje de metal esté sobresaliendo de la Base para cuchillas después de la inserción.



Enchufe en la toma y gire el Botón giratorio para seleccionar la velocidad requerida (consulte la “Preparación de Ingredientes” en la página SP13.) Inserte los ingredientes en el Tubo de entrada de alimentos y empuje hacia abajo con el Empujador de alimentos.

Después de que se completó el procesamiento, regrese el Botón giratorio a la posición OFF “0” y desenchufe de la toma. Retire la Base para cuchillas del Recipiente antes de quitar los ingredientes procesados.

Nota:

- Cuando utilice ingredientes finos y largos, colóquelos contra la pared frontal del Tubo de entrada de alimentos como se indicada en la Figura 1, para que se apoyen durante el funcionamiento y evitar el procesamiento desparejo.
- Descarte los restos de los ingredientes no procesados.
- Alinee los ingredientes ricos en fibra como se indica en la Figura 2 para un resultado de procesamiento consistente.



Figura 1

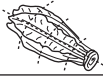



Figura 2

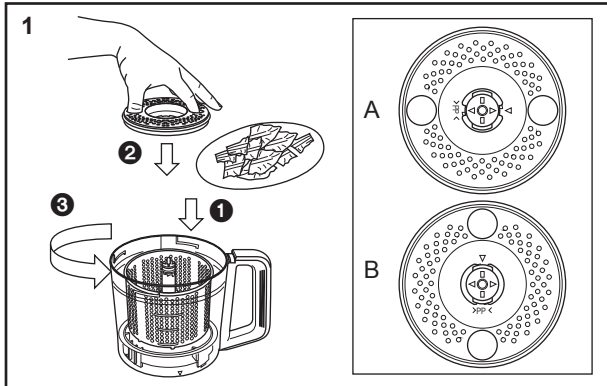
Español

PROCESADOR DE ALIMENTOS - ESCURRIDOR DE ENSALADA -

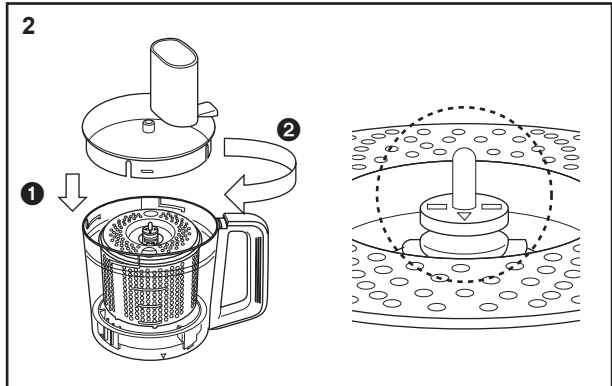
Preparaciones de ingredientes para el Escurridor de ensalada

Función	Ingrediente	Velocidad	Uso único Máx	Tiempo de funcionamiento(aprox.)	Método de preparación
Escurridor	Hojas de lechuga	1	100 g	20 ~ 40 seg.	 Cortar en rodajas de 3~5 cm.
	Repollo		200 g	20 ~ 50 seg.	 Cortados en tiras de 1~3 mm.

Cómo usar: Escurridor de ensalada



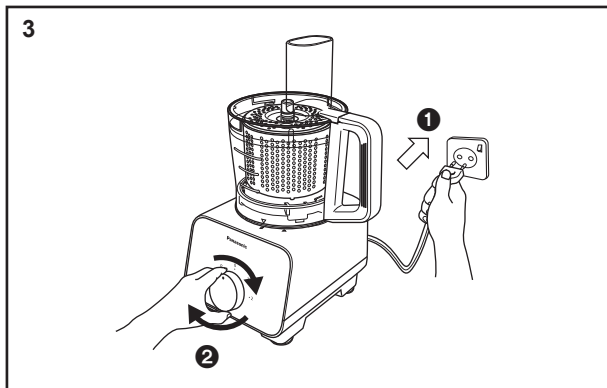
Después de insertar el Escurridor de ensalada en el Recipiente, inserte los ingredientes en el Escurridor de ensalada. Coloque la Tapa del escurridor sobre el Escurridor de ensalada hasta que la marca se alinee como se muestra en A. Gire la Tapa del escurridor en sentido antihorario hasta que la marca se alinee como se muestra en B.



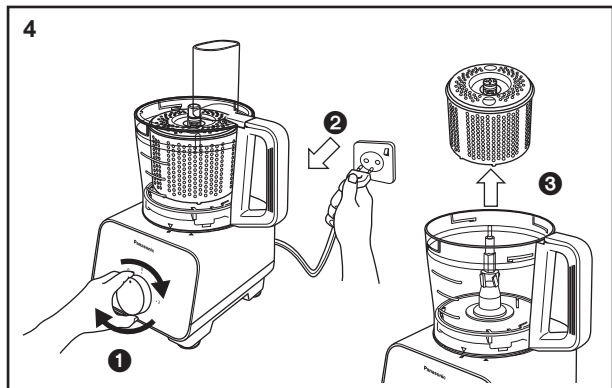
Coloque la Tapa del recipiente sobre el Recipiente y gírela en sentido horario hasta que se escuche un sonido 'clic'. Fije el montaje del Recipiente en el Alojamiento del motor como se observa en la página SP10.

Nota:

Asegúrese de que el eje de metal esté sobresaliendo del Escurridor de ensalada después de la inserción.



Enchufe en la toma y gire el Botón giratorio para seleccionar la velocidad requerida.




Después de que se completó el procesamiento, regrese el Botón giratorio a la posición OFF "0" y desenchufe de la toma. Saque el Escurridor de ensalada del Recipiente.

Nota:

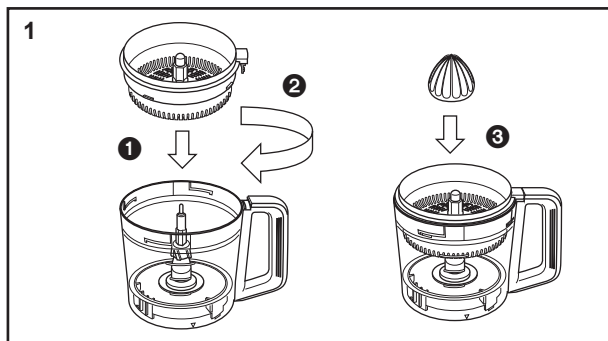
- Capacidad de trabajo máxima del Escurridor de ensalada: 200 g o hasta la altura máxima del Escurridor de ensalada, lo que ocurra primero.
- Ingredientes prohibidos: Consulte la página SP6.
- Asegúrese de que los ingredientes estén diseminados en forma pareja alrededor del Escurridor de ensalada antes del procesamiento.
- Siempre asegúrese de que la Tapa del escurridor esté unida al Escurridor de ensalada antes del funcionamiento, de lo contrario los ingredientes podrían salirse y diseminarse alrededor del Recipiente.
- En función de la velocidad y la cantidad de ingredientes usados, habrá vibraciones significativas presentes. En ese caso, sostenga la Tapa del recipiente para sostenerla durante el funcionamiento.

PROCESADOR DE ALIMENTOS - EXPRIMIDOR DE CÍTRICOS -

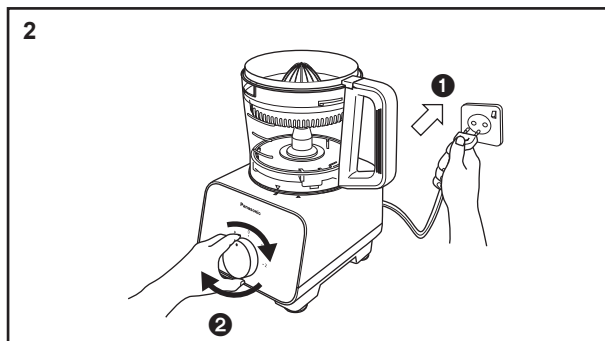
Preparaciones de ingredientes para Exprimidor de cítricos

Función	Ingrediente	Velocidad	Uso único Máx	Tiempo de funcionamiento(aprox.)	Método de preparación
Exprimir	Fruta cítrica	1	1000 mL	-	 Cortar fruta en mitades.

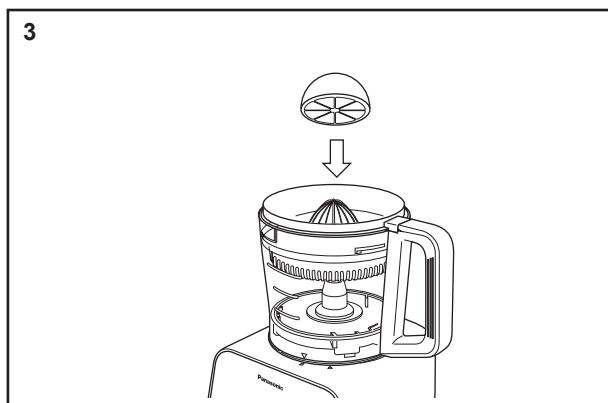
Cómo usar: Exprimidor de cítricos



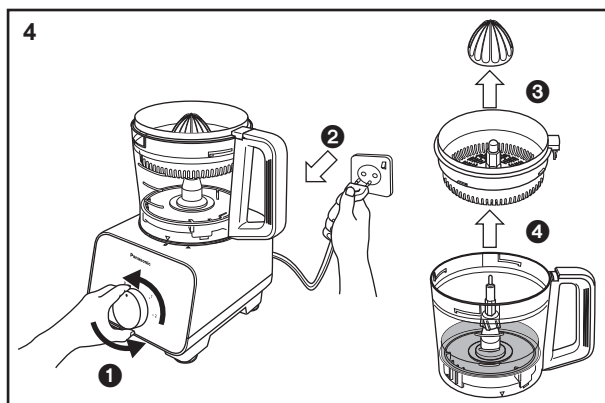
Coloque el colador de cítricos en el Recipiente. Gírelo en el sentido horario hasta que se escuche un sonido "clic". Fije el Cono para cítricos en el Eje central.



Fije el montaje del Recipiente en el Alojamiento del motor como se observa en la página SP10. Enchufe en la toma y gire el Botón giratorio para seleccionar la velocidad requerida.



Coloque la mitad de la fruta con el lado de la taza sobre el Cono para cítricos y presione firmemente para extraer el jugo.



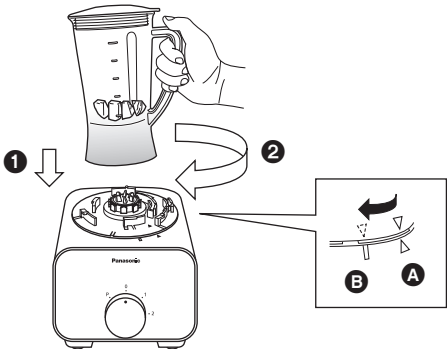
Después de que se completó el procesamiento, regrese el Botón giratorio a la posición OFF "0" y desenchufe de la toma. Retire el complemento del Exprimidor de cítricos del Recipiente antes de verter el jugo extraído.

Nota:

- Siempre asegúrese de que el Cono para cítricos esté colocado en el Colador de cítricos antes del uso.
- Detenga el procesamiento en forma periódica para quitar la pulpa restante en el Colador para cítricos para facilitar el proceso de extracción de jugo.
- No se recomienda hacer funcionar el Exprimidor de cítricos a velocidad 2.
- Evite tocar el Cono para cítricos mientras esté girando.

LICUADORA


Introducción



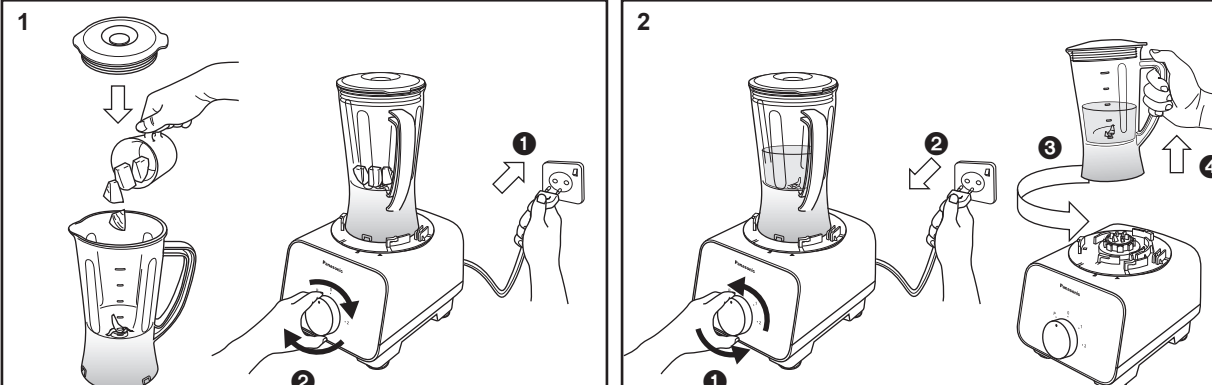
1. Coloque la Jarra de la licuadora sobre el Alojamiento del motor. Asegúrese de que la marca de triángulo en la Jarra de la licuadora esté alineada con la marca del triángulo en el Alojamiento del motor como se ve en la posición **A**.
2. Gire la Jarra de la licuadora en el sentido horario hasta que se escuche un sonido "clic". Asegúrese de que la marca de triángulo en la Jarra de la licuadora esté alineada con la marca del rectángulo en el Alojamiento del motor como se ve en **B**.

Para desmontar, siga los pasos de montaje en forma inversa.

Preparaciones de ingredientes para Licuadora

Función	Ingrediente	Velocidad	Uso único Máx	Tiempo de funcionamiento(aprox.)	Método de preparación
Licuar	Fruta, Verdura	2	1,000 mL	~ 2 min	 Corte en cubos de 1 cm.

Cómo usar: Licuadora



Inserte ingredientes en la Jarra de la licuadora y cierre la Tapa de la licuadora. Fije la Unidad de la licuadora en el Alojamiento del motor, tal y como se muestra más arriba. Enchufe en la toma y gire el Botón giratorio para seleccionar la velocidad requerida.

Después de que se completó el procesamiento, regrese el Botón giratorio a la posición OFF "0" y desenchufe de la toma. Quite la Unidad de la licuadora del Alojamiento del motor y proceda a quitar los ingredientes.

Nota:

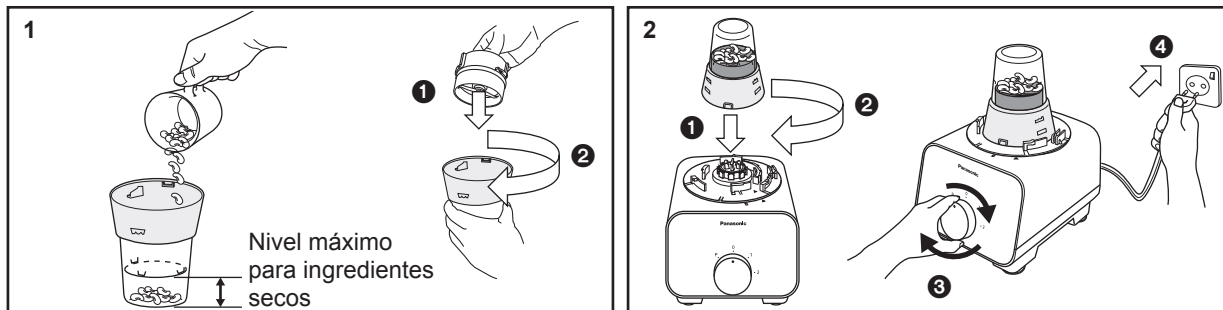
- Capacidad de trabajo máxima: 1 L.
- Ingredientes prohibidos para la Jarra de la licuadora: Consulte la página SP6.
- No se recomienda mezclar ingredientes duros y viscosos. Sin embargo, si es necesario, corte los ingredientes duros en piezas pequeñas (ej. Corte la zanahoria en cubos de 1 cm³) y llene la Jarra de la licuadora con los ingredientes sin sobrepasar la mitad de su capacidad establecida.
- No llene hasta pasar el nivel máximo y reduzca los ingredientes cuando el aparato hace un sonido o vibración anormal durante el funcionamiento.
- Agregue ingredientes blandos (frutas, verduras) en la Jarra de la licuadora antes de agregar otros ingredientes.
- Si la cuchilla cortadora se atora, apague inmediatamente y desenchufe. No intente tratar de liberar los ingredientes con los dedos, use un objeto como una espátula de goma en su lugar.
- Durante la mezcla, hay una posibilidad de que los ingredientes se derramen fuera del agujero de la Tapa de la licuadora. En caso de que salpique, seque con un paño seco.
- No opere por un término que exceda la duración de funcionamiento estipulada (2 min. ON (ENCENDIDA), 2 min. OFF (APAGADA)).

ACCESORIO PARA MOLER EN SECO

Preparaciones de ingredientes para Accesorio para moler en seco

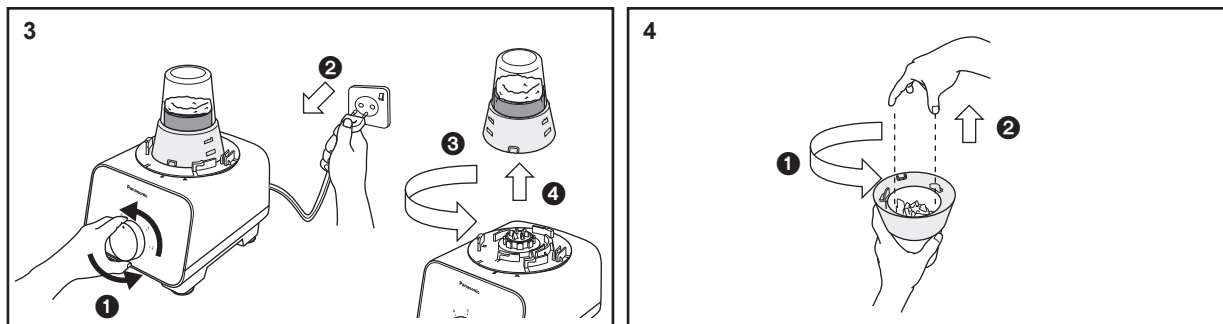
Función	Ingrediente	Velocidad	Uso único Máx	Tiempo de funcionamiento(aprox.)	Método de preparación
Moler	Granos de café	2	Hasta nivel máximo	~ 60 seg.	-
	Pimienta				

Cómo usar: Accesorio para moler en seco



Gire el Contenedor del molinillo hacia arriba y llene los ingredientes sin exceder el nivel máximo indicado. Coloque la Base del contenedor del molinillo en el Contenedor del molinillo y gírelo en el sentido horario hasta que se escuche un sonido "clic". Asegúrese de que las nervaduras de la superficie exterior de la Base del contenedor del molinillo y de la superficie interior del Contenedor del molinillo estén acopladas firmemente.

Fije la Accesorio para moler en seco en el Alojamiento del motor. Gire la Accesorio para moler en seco en el sentido horario hasta que se escuche un sonido "clic". Enchufe en la toma y gire el Botón giratorio para seleccionar la velocidad requerida.



Después de que se completó el procesamiento, regrese el Botón giratorio a la posición OFF "0" y desenchufe de la toma. Saque la Accesorio para moler en seco del Alojamiento del motor y saque los ingredientes.

Gire la Base del contenedor del molinillo en el sentido antihorario para destrabarla y retírela del Contenedor del molinillo.

Nota:

- Mientras saca los ingredientes, tenga cuidado con la cuchilla cortadora.
- No haga funcionar por un término que exceda la duración de funcionamiento estipulada (1 min. encendida (ON), 2 min. apagada (OFF)).
- Ingredientes prohibidos: Consulte la página SP6.
- No haga funcionar la unidad con el Accesorio para moler en seco vacío.
- No llene hasta pasar el nivel máximo y reduzca los ingredientes cuando el aparato hace un sonido o vibración anormal durante la operación.

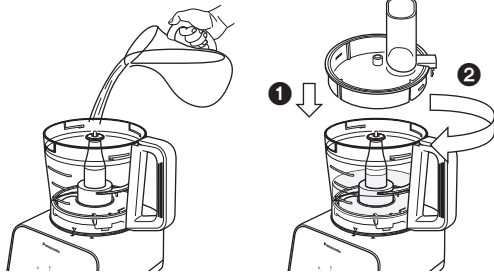
DESPUÉS DE USO

Limpieza

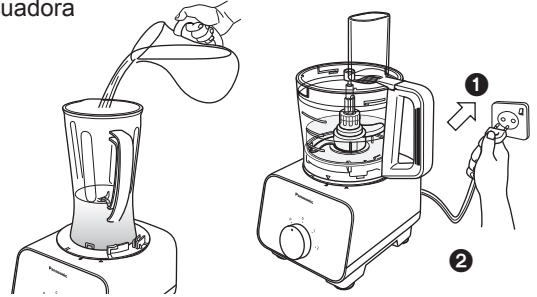
Pre-lavado

El pre-lavado facilita la limpieza posterior. Se puede usar para las Cuchillas rotativas y la Unidad de la licuadora. Para pre-lavar, simplemente siga los siguientes pasos.

1 Procesador De Alimentos



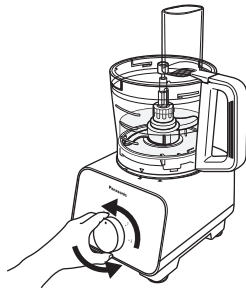
Licuadora



Coloque el accesorio usado dentro del recipiente, llene el Recipiente con agua hasta que el accesorio esté sumergido en agua (máx. 500 mL). Coloque la tapa del recipiente en la parte superior del Recipiente y gírela en sentido horario hasta que se escuche un sonido “clic”.

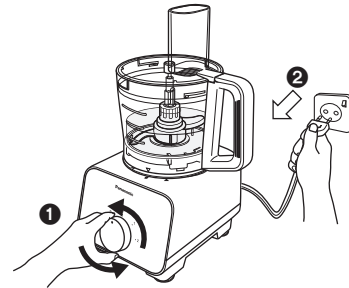
Para la Unidad de la licuadora, vierta 500 mL de agua en la Jarra de la licuadora y cubra con la Tapa de la licuadora. Enchufe en la toma.

2

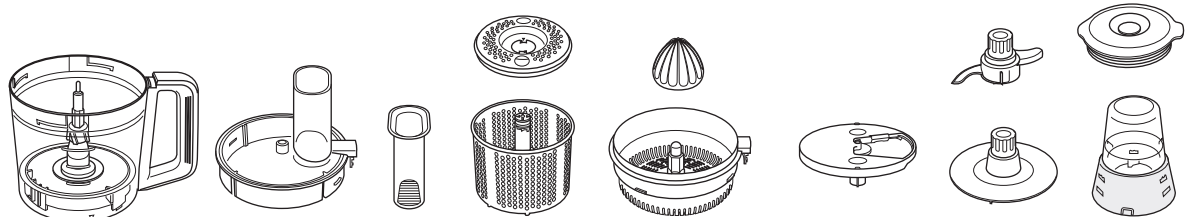


Procesador de alimentos: Gire el Botón giratorio hasta “PULSACIÓN” 5 ~ 10 veces. Licuadora: Gire el Botón giratorio a la velocidad seleccionada 2 y haga funcionar por 10 ~ 20 segundos.

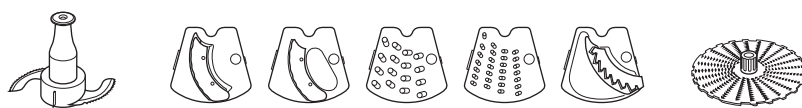
3



Regrese el Botón giratorio a la posición OFF “0” y desenchufe de la toma. Saque los complementos y proceda a limpiar.



Para lavar estos ítems enjuáguelos bajo el agua corriente. Use detergente de cocina neutro si es necesario. Lávelos y séquelos con un paño limpio.



Para lavar estos ítems enjuáguelos bajo el agua corriente y limpie con cuidado con un Cepillo. Use detergente de cocina neutro si es necesario.



Nota:

- Estos ítems son extremadamente afilados y se deben manipular con cuidado adicional mientras se limpian. Evite golpear estos ítems con objetos duros durante el proceso de limpieza.
- La Base del contenedor del molinillo no debe lavarse, use un Cepillo para limpiarla.



DESPUÉS DE USO

Alojamiento del motor / Topes de goma

Seque toda suciedad o manchas con un trapo limpio húmedo.

Nota:

- Asegúrese de que el cable de alimentación esté desenchufado antes de limpiar el Alojamiento del motor.
- No lave el Alojamiento del motor bajo el agua corriente.
- Nunca use líquidos corrosivos (ej. alcohol, disolvente, etc.) para limpiar el Alojamiento del motor.

Limpieza con lavavajillas

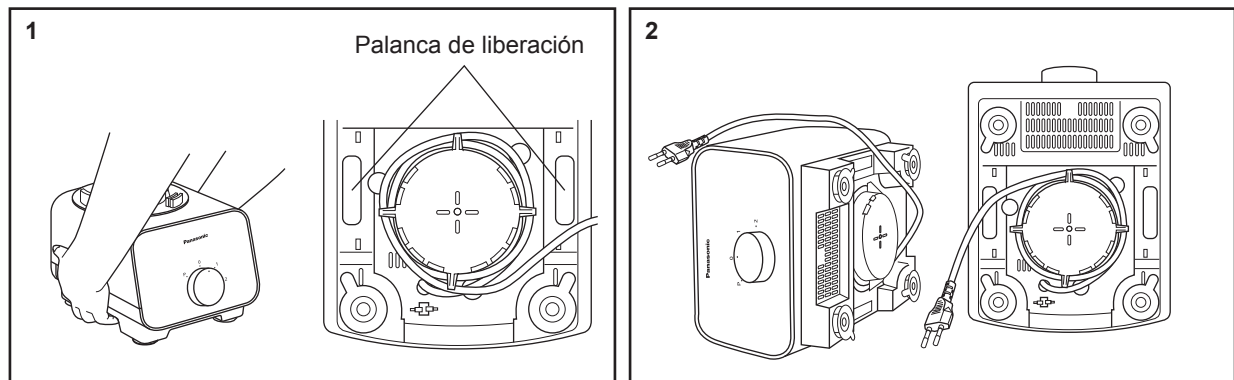
El Recipiente y la Tapa del recipiente de este aparato pueden lavarse en el lavavajillas.

Nota:

- No coloque estos ítems cerca del área del calentador del lavavajillas ya que las temperaturas altas pueden dañar las partes.

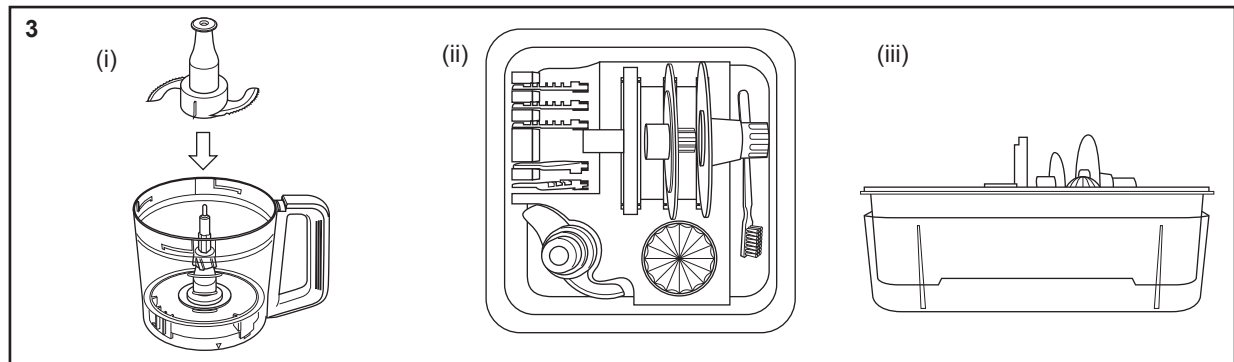
Almacenaje

Asegúrese de que los complementos y el Recipiente estén quitados del Alojamiento del motor antes del almacenaje.



Para liberar la succión de los Topes de goma del Alojamiento del motor, presione en la palanca de liberación ubicada en el extremo inferior del Alojamiento del motor al mismo tiempo como se ve en la figura anterior y levántelos.

Incline el Alojamiento del motor a su lado, y proceda a enrollar el Cable de suministro alrededor del área de enrollado de cable en forma parcial, y deje cable a los costados.



(i) Almacene las Cuchillas rotativas dentro del Recipiente. Se incluye una Unidad de almacenaje para almacenar otros complementos. Almacene los complementos conforme a la condición del envase.

(ii) Lista de complementos en la Unidad de almacenaje: Cuchillas para amasar, Cono para cítricos, Cuchilla para rodajas gruesas, Cuchilla para rodajas finas, Cuchilla para tiras finas, Cuchilla para tiras gruesas, Cuchilla para patatas fritas, Base para cuchillas, Cuchilla para rallar, Cuchilla para montar, Cepillo.

(iii) Coloque la tapa de la Unidad de almacenaje bajo la misma para recoger el agua drenada de los complementos lavados.

Nota:

- Eliminar el plástico flexible cubrir después de abrir la Caja de almacenamiento.

RESOLUCIÓN DE PROBLEMAS

Verifique los siguientes puntos antes de solicitar una reparación.

Problem	Causa y acción
<p>El aparato no enciende.</p>	<ul style="list-style-type: none"> ● El enchufe está suelto en la toma. <ul style="list-style-type: none"> ➔ Enchufe firmemente en la toma.
<p>El aparato no funciona aun cuando se acciona el Botón giratorio.</p>	<ul style="list-style-type: none"> ● El Recipiente, la Unidad de la licuadora o la Accesorio para moler en seco no están ajustados apropiadamente en el Alojamiento del motor. <ul style="list-style-type: none"> ➔ Asegúrese de que la marca de triángulo en los complementos esté alineada con la marca del rectángulo en el Alojamiento del motor como se ve en la página SP9. ● La Tapa del recipiente o el Colador para cítricos no están ajustados apropiadamente en el Recipiente. <ul style="list-style-type: none"> ➔ Asegure completamente la Tapa del recipiente o Colador de cítricos en el Recipiente. ● Los ingredientes están atascados. <ul style="list-style-type: none"> ➔ Saque los ingredientes cuidadosamente y asegúrese de usar la cantidad establecida.
<p>El aparato se detiene de repente durante el funcionamiento.</p>	<ul style="list-style-type: none"> ● Se activa la protección del interruptor de circuito. (Consulte la página SP8) <ul style="list-style-type: none"> • Se introdujeron demasiados ingredientes. <ul style="list-style-type: none"> ➔ Saque el exceso de ingredientes y asegúrese de usar la cantidad establecida. • Se usaron pedazos grandes o ingredientes duros. <ul style="list-style-type: none"> ➔ Asegúrese de que los ingredientes sean cortados en las medidas establecidas. No use ingredientes duros como alimentos congelados o sólidos muy densos. ● Se activó el cierre de seguridad. (Consulte la página SP9) <ul style="list-style-type: none"> • La vibración anormal durante el funcionamiento puede soltar el cierre de seguridad. <ul style="list-style-type: none"> ➔ Asegúrese de usar la cantidad y los ingredientes establecidos. ➔ Trabe la Tapa del recipiente o Colador para cítricos en el Recipiente firmemente, y asegúrese de que el Recipiente, la Unidad de la licuadora, o la Accesorio para moler en seco estén firmemente ajustados en el Alojamiento del motor.
<p>Hay vibración y ruidos anormales durante el funcionamiento.</p>	<ul style="list-style-type: none"> ● Los topes de goma o la superficie de trabajo no están limpios. <ul style="list-style-type: none"> ➔ Seque toda suciedad o manchas con un trapo limpio húmedo. Los Topes de goma solo son eficaces cuando son colocados sobre una superficie limpia, lisa y plana. ● Los Ingredientes utilizados para el procesamiento son demasiados o demasiado duros. <ul style="list-style-type: none"> ➔ Asegúrese de que los ingredientes sean usados en las medidas establecidas, reduzca los ingredientes si sobrepasan las medidas establecidas.
<p>La textura y consistencia de los ingredientes procesados no resultaron bien.</p>	<ul style="list-style-type: none"> ● Puede que sea muy difícil procesar algunos ingredientes crudos, ej. zapallo. <ul style="list-style-type: none"> ➔ Puede que sea necesaria la precocción para suavizar los ingredientes antes de procesar, es decir hasta que se puedan atravesar fácilmente con un tenedor. ● La medida de los ingredientes no está de acuerdo con el método de preparación. <ul style="list-style-type: none"> ➔ Prepare de acuerdo con el tamaño establecido. ● El procesamiento de ciertos ingredientes al mismo tiempo puede causar que queden bultos para la función Congelar. ● La cantidad máxima de ingredientes y la duración del procesamiento son indicadas como guías, cantidades menores de ingredientes e ingredientes diferentes afectarán el desempeño. <ul style="list-style-type: none"> ➔ Procese los ingredientes con una duración adecuada hasta obtener la textura y la consistencia deseadas.

ESPECIFICACIONES

Nombre del modelo	MK-F500	
Función	Procesador De Alimentos	Licuidora & Accesorio para moler en seco
Alimentación	220 - 240 V ~ 50 - 60 Hz	
Consumo de energía	180 - 200 W	
Botón	Botón giratorio	
Velocidad de operación	2 minutos ON, 4 minutos OFF	Licuidora: 2 minutos ON, 2 minutos OFF Accesorio para moler en seco: 1 minuto ON, 2 minutos OFF
	Con excepción de las "Preparaciones de Ingredientes" establecidas en estas Instrucciones de funcionamiento.	
Dimensiones (Aprox.) (HxWxD)	435 x 264 x 265 mm	Licuidora : 406 x 264 x 265 mm Accesorio para moler en seco: 298 x 264 x 265 mm
Peso (Aprox.)	3,1 kg	Licuidora : 2,8 kg Accesorio para moler en seco: 2,6 kg
Capacidad (Aprox.)	Capacidad del recipiente: 2,5 L Capacidad de trabajo máxima: Solo líquidos = 1,5 L Solo sólidos = 600 g	Licuidora : 1 L Accesorio para moler en seco: 50 g (Granos de café)
	Con excepción de las "Preparaciones de Ingredientes" establecidas en estas Instrucciones de funcionamiento.	
Complementos y Accesorios	Cuchillas rotativas, Cuchillas para rallar, Cuchillas para amasar, Cuchilla para montar, Escurridor de ensalada, Base para cuchillas, Cuchillas para tiras (Gruesas y finas), Cuchillas para rodajas (Gruesas y finas), Cuchilla para cortar en Juliana, Exprimidor de cítricos y Unidad de almacenaje	Unidad de la licuidora, Accesorio para moler en seco
Accesorios comunes	Cepillo con espátula	
Elementos seguros del lavavajillas	Recipiente y Tapa del recipiente	
Ruido acústico aéreo	88 (dB (A) ref 1 pW)	88 (dB (A) ref 1 pW)

Español



Eliminación de Aparatos Viejos

Solamente para la Unión Europea y países con sistemas de reciclado.

Este símbolo en los productos, su embalaje o en los documentos que los acompañen significa que los productos eléctricos y electrónicos usadas no deben mezclarse con los residuos domésticos.

Para el adecuado tratamiento, recuperación y reciclaje de los productos viejos llévelos a los puntos de recogida de acuerdo con su legislación nacional.

Si los elimina correctamente ayudará a preservar valuosos recursos y evitará potenciales efectos negativos sobre la salud de las personas y sobre el medio ambiente.

Para más información sobre la recogida u reciclaje, por favor contacte con su ayuntamiento. Puede haber sanciones por una incorrecta eliminación de este residuo, de acuerdo con la legislación nacional.

INHOUDSOPGAVE

	Pagina
VEILIGHEIDSMATREGELEN	NL3 - NL5
BELANGRIJKE OPMERKINGEN	NL6
ONDERDEELNAMEN	NL7 - NL8
BESCHERMING STROOMONDERBREKER	NL8
VEILIGHEIDSSLOT	NL9
DEMONTAGE	NL9
KEUKENMACHINE	
(i) INLEIDING	NL10
(ii) MESBLAD • KNEEDBLAD • KLOPSCHIJF • RASPBLAD	NL10 - NL12
– Ingrediënten voorbereiden	
– De machine gebruiken	
(iii) SNIJBLADEN • RASPSCHIJVEN • JULIENNEMES	NL13 - NL14
– Ingrediënten voorbereiden	
– De machine gebruiken	
(iv) SALADECENTRIFUGE	NL15
– Ingrediënten voorbereiden	
– De machine gebruiken	
(v) PERSKEGEL	NL16
– Ingrediënten voorbereiden	
– De machine gebruiken	
BLENDER	
(i) INLEIDING	NL17
(ii) BLENDER	NL17
– Ingrediënten voorbereiden	
– De machine gebruiken	
HAKMOLEN	
(i) HAKMOLEN	NL18
– Ingrediënten voorbereiden	
– De machine gebruiken	
NA GEBRUIKEN	NL19 - NL20
PROBLEEMOPLOSSING	NL21
SPECIFICATIES	NL22

VEILIGHEIDSMATREGELEN (Houdt u zich aan de volgende instructies.)

Om ongelukken of letsel van de gebruiker, anderen en schade aan eigendommen te voorkomen dient u de onderstaande instructies te volgen.

■ De volgende indicatie geeft de ernst van de schade weer door verkeerd gebruik.



WAARSCHUWING

Geeft ernstig letsel of de dood aan.



LET OP

Geeft risico op letselschade of eigendommen aan.

■ De symbolen zijn als volgt geclassificeerd en hebben de volgende betekenissen.




Dit symbool geeft een verbod aan.




Dit symbool geeft aan dat het verplicht is om deze instructie te volgen.




WAARSCHUWING

-  ● **De stekker of plug niet beschadigen.**
(dit kan leiden tot elektriciteitsschokken of brand veroorzaakt door kortsluiting.)
- **Het apparaat niet gebruiken indien de stekker of plug beschadigd is of indien de plug te los verbonden is met het stopcontact.**
(dit kan leiden tot elektriciteitsschokken of brand veroorzaakt door kortsluiting.)
 - ➔ Indien de stekker beschadigd is, dient deze door de fabrikant, het onderhoudscentrum of soortgelijk gekwalificeerde persoon vervangen te worden om gevaar te voorkomen.
- **De stekker niet met natte handen in het stopcontact steken en uit het stopcontact halen.**
(dit kan leiden tot elektriciteitsschokken)
- **Het voltage van het stopcontact niet overschrijden en geen wisselstroom gebruiken anders dan aangegeven op het apparaat.**
(anders kan dit tot elektriciteitsschokken of brand leiden)
 - Zorg ervoor dat het voltage naar het apparaat hetzelfde is als dat van uw plaatselijke stroomvoorziening.
 - Het aansluiten van andere apparatuur op hetzelfde stopcontact kan leiden tot oververhitting.
- **De motorbehuizing van het apparaat niet onderdompelen in water of besprenkelen met water**
(dit kan leiden tot elektriciteitsschokken of brand door kortsluiting.)
- **Het apparaat niet demonteren, repareren of aanpassen.**
(dit kan leiden tot elektriciteitsschokken, brand of letsel.)
 - ➔ Neem voor reparaties contact op met uw onderhoudscentrum.
- **Geen voorwerpen in de luchtopeningen of andere openingen steken.**
(dit kan leiden tot elektriciteitsschokken of storingen.)
 - Dit heeft voornamelijk betrekking op metalen voorwerpen zoals pinnen of elektriciteitsdraden.
- **Onderdelen van het apparaat niet vervangen door reserveonderdelen anders dan echte onderdelen voor dit product.**
(dit kan leiden tot letsel, elektriciteitsschokken of brand.)
- **Verwijder het deksel niet als het apparaat nog in gebruik is.**
(dit kan tot letsel leiden.)
- **Gebruik geen water (warmer dan 60 °C) om het apparaat schoon te maken of vuur om het apparaat te drogen.**
(dit kan tot brand of defecten leiden.)

WAARSCHUWING

-  **Plaats geen ingrediënten (warmer dan 60 °C) in de kom of de blenderkan.**
(dit kan tot letsel of defecten leiden.)
- **Niet gebruiken zonder het blenderdeksel juist geplaatst te hebben op de blenderkan.**
(dit kan tot letsel leiden.)
- **Plaats je vingers of keukengereedschap zoals een lepel, vork, etc. tijdens gebruik niet in de kom of blender.**
(dit kan tot letsel, elektrische schokken of brand leiden, veroorzaakt door kortsluiting.)
- **Duw de veiligheidspen en veiligheidshendel met eventuele hulpstukken, stokjes, etc. in het apparaat terwijl deze ingeschakeld is.**
(dit kan tot letsel leiden.)

-  **Dit apparaat dient niet door kinderen te worden gebruikt.**
Houd het apparaat en haar snoer buiten bereik van kinderen. Apparaten kunnen worden gebruikt door personen met een verminderde fysieke, zintuiglijke of mentale capaciteit en kennis indien zij onder supervisie of instructie staan omtrent een veilig gebruik van het apparaat en indien zij de gevaren begrijpen die met het gebruik gemoeid zijn. Kinderen dienen niet te spelen met het apparaat
(dit kan brandwonden, elektriciteitsschokken of ander letsel veroorzaken.)
- **Plaats de stekker stevig in het stopcontact**
(anders kan dit leiden tot elektriciteitsschokken en brand, veroorzaakt door de hitte die rondom de plug kan worden gegenereerd.)
- **Maak de plug regelmatig schoon**
(een vuile plug kan tot onvoldoende isolatie leiden door het vocht en kan leiden tot brand.)
- **Indien er zich een abnormaal gebruik of onregelmatig afsluiten voordoet, stopt u het gebruik van het apparaat onmiddellijk en haalt u de stekker uit het stopcontact.**
(dit kan anders leiden tot rook, brand of elektriciteitsschokken).
Voorbeelden van abnormaliteiten of onregelmatig afsluiten:
 - De plug en de stekker worden buitengewoon heet.
 - De stekker is beschadigd of heeft zich een stroomstoring voorgedaan.
 - De behuizing van de motor is vervormd of wordt uitzonderlijk heet.
 - ➔ Haal de stekker van het apparaat onmiddellijk uit het stopcontact en neem contact op met het onderhoudscentrum voor advies of een reparatie.
- **De plug vasthouden terwijl u de plug uit het stopcontact haalt. Trek bijv. nooit aan de stekker zelf.**
(anders kan dit leiden tot elektriciteitsschokken of brand veroorzaakt door kortsluiting.)
- **Pas op bij het gieten van warme vloeistoffen in de kom of blenderkan. Deze vloeistof kan namelijk uit het apparaat worden geslingerd door een plotselinge stoomontwikkeling.**
(Dit kan tot brandwonden leiden.)

! LET OP

- **Laat het apparaat niet onbeheerd achter wanneer het in gebruik is.**
(dit kan brand of brandwonden veroorzaken.)
 - Als u het apparaat onbeheerd wilt achterlaten, schakel dan het stroom dan uit.
- **Het apparaat niet gebruiken op de volgende plaatsen:**
 - Plaatsen met een ongelijk oppervlak, op niet-hittebestendig tapijt of tafelkleed, etc.
(dit kan leiden tot brand of letsel.)
 - Plaatsen waar een grote kans bestaat dat het apparaat met water in aanraking komt of nabij hittebronnen.
(dit kan leiden tot elektriciteitsschokken of het weglekken van stroom.)
- **Verwerk niet meer ingrediënten dan de maximale capaciteit die op elke kan of kom is aangegeven. Volg de aanbevolen hoeveelheid ingrediënten voor verwerking.**
(Dit kan tot letsel leiden.)
- **Niet gedurende lange tijd gebruiken. Aanbevolen wordt om het apparaat even te laten rusten na een bepaalde gebruikstijd.**
(Dit kan brandwonden veroorzaken.)

Functie	Gebruikstijd (minuten)	Rusttijd (minuten)
Keukenmachine	2	4
Blender	2	2
Hakmolen	1	2

* Met uitzondering van de aangegeven "Ingrediënten voorbereiden" in deze gebruikershandleiding.

- **Haal het apparaat altijd uit het stroom indien deze zonder toezicht wordt achtergelaten, evenals bij montage, demontage of reiniging.**
(dit kan brandwonden of letsel veroorzaken.)
- **Verwijder de kom en de kan voordat u de behuizing van de motor optilt.**
(Dit kan tot letsel leiden.)
- **Schakel het apparaat uit en haal de stekker uit het stopcontact vooraleer de accessoires te verwisselen of onderdelen te vervangen die tijdens gebruik bewegen.**
(anders kan dit tot letsel leiden.)
- **Als u het apparaat moet dragen, dan doet u dit door de behuizing van de motor met twee handen vast te houden. Draag het apparaat niet door de kom, blenderkan of maalkbeker vast te houden.**
(Anders kan dit tot letsel leiden.)
- **Schakel de blender uit en haal de stekker uit het stopcontact als het snijblad van de blender vastloopt. Steek uw vingers niet in de blenderkan. Gebruik een spatel om ingrediënten te verwijderen die het snijblad van de blender blokkeren anders kan dit tot letsel leiden.**
(Anders kan dit tot letsel leiden.)
- **Pas op de scherpe snijbladen wanneer u de kom of blenderkan leegmaakt en schoonmaakt. (bijv. mesblad, snijblad, etc.)**
(Dit kan tot letsel leiden.)

BELANGRIJKE OPMERKINGEN

- **Plaats het apparaat niet op de volgende plaatsen:**
 - Op een locatie waar het apparaat wordt blootgesteld aan buitengewoon veel vocht, hoge temperaturen of direct zonlicht.
(dit kan tot defecten leiden.)
 - Een locatie met een hoge of lage temperatuur, zoals een koelkast, vriezer, magnetron of oven.
(Dit kan tot defecten of schade leiden.)
- **Verwerk geen harde ingrediënten (bijv. hard vlees, vlees met botten of kleverige materialen).**
(Dit kan tot defecten leiden.)

Verboden ingrediënten:

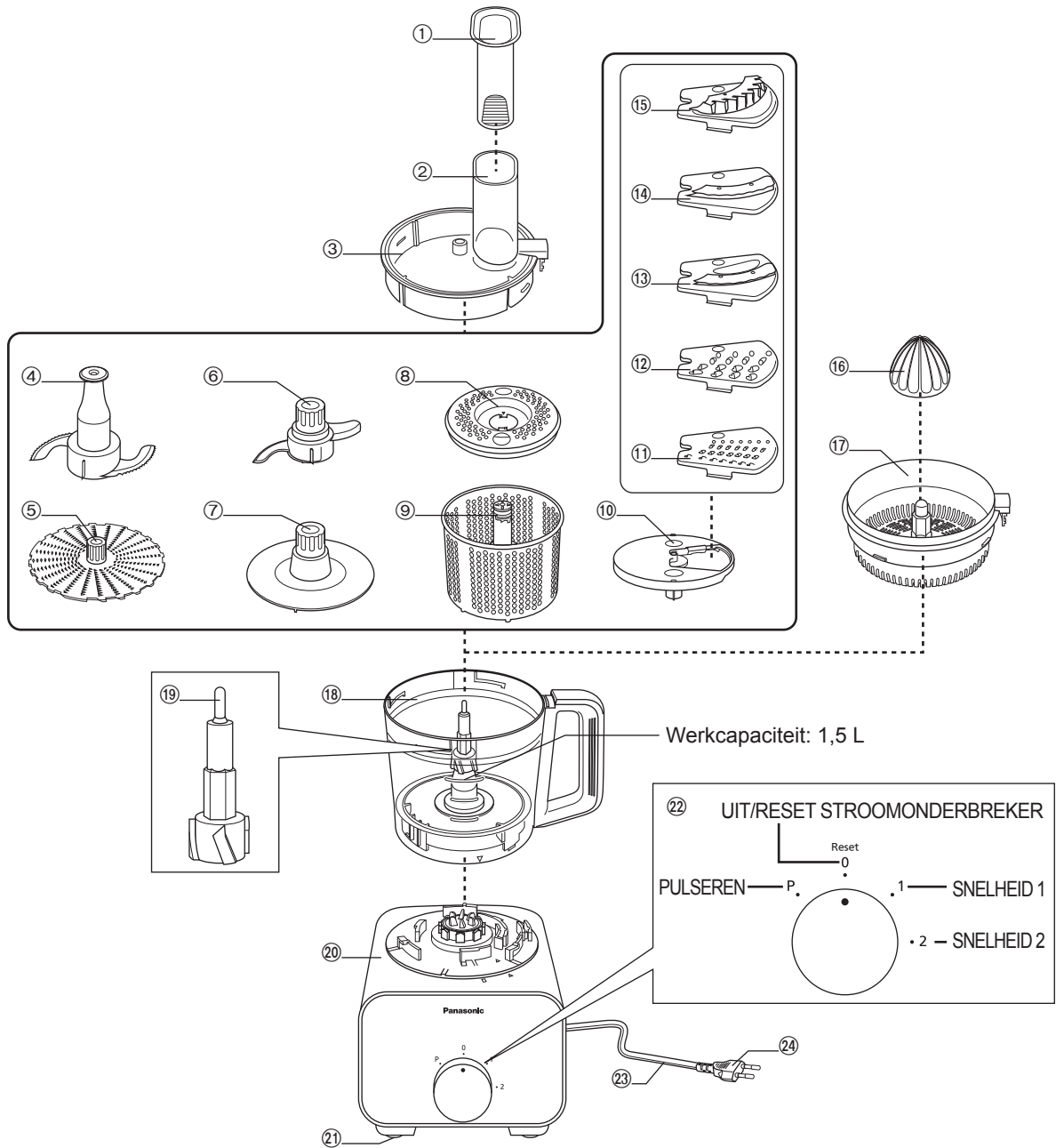
Bijlagen	Beschrijving
Mesblad	Harde ingrediënten, kleverige ingrediënten, bijv. koffiebonen, gedroogde sojabonen, bevroren Voedsel, gedroogde inktvis, etc.
Snijbladen, Versnipperbladen en Julienne-mes	Ingrediënten met een hoge concentratie vezels, kleverige ingrediënten, ingrediënten die te zacht zijn, bijv. harde groenten, ham, kurkuma, gember, sla, tomaten, perziken, chocolade, etc.
Kneedblad	Ingrediënten die niet geschikt zijn voor het maken van deeg, bijv. vlees, groenten, noten, sauzen, smeersels.
Klopschijf	Andere ingrediënten buiten eiwitten en verse room.
Raspschijf	Kleverige ingrediënten, ingrediënten met een hoge concentratie harde vezels, ingrediënten die te klein en te dun zijn, bijv. yams, aardappels, selderij, prei, pijnboompitten, etc.
Slacentrifuge	Grote stukken ingrediënten, ingrediënten die zacht en breekbaar zijn, bijv. grote wortelen of stukken aardappel, tomaten, tofu, pasta, noodles, etc.
Perskegel	Andere ingrediënten buiten citrusfruit bijv. appels, kiwi's, etc.
Blender	Harde ingrediënten, zeer plakkerige ingrediënten, ingrediënten die weinig water bevatten, bijv. kurkuma, gedroogde sojabonen, beroren voedsel, vlees, vis, gekookte aardappelen of ijsblokjes, etc.
Hakmolen	Harde noten, gedroogde noten, ingrediënten met een hoge concentratie vezels, vochtige ingrediënten, vloeistoffen, bijv. diverse noten, rozijnen, vlees, groenten, gekookte eieren, geelwortel, etc.

Voorafgaand aan gebruik:

Gebruik het apparaat altijd op een schoon, droog, vlak, hard en glad oppervlak en maak de rubberen voet (P.NL7) voor gebruik om ervoor te zorgen dat de rubberen voet zuigkracht is op optimale prestaties.

ONDERDEELNAMEN

Keukenmachine



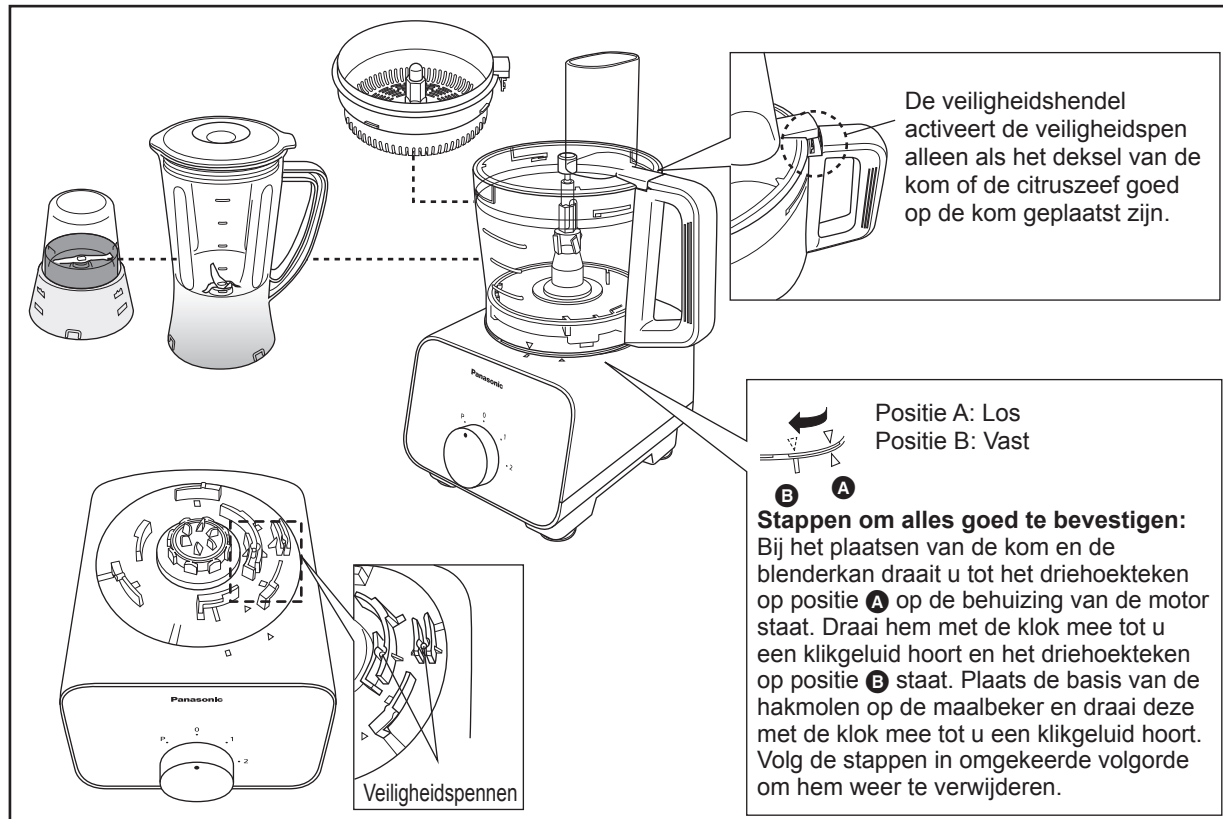
- | | |
|-----------------------------|---------------------|
| 1. Stamper | 13. Dun Snijblad |
| 2. Invoerbuis | 14. Dik Snijblad |
| 3. Deksel | 15. Julienne-mes |
| 4. Mesblad | 16. Perskegel |
| 5. Raspschijf | 17. Citruszeef |
| 6. Kneedblad | 18. Kom |
| 7. Klopschijf | 19. Aandrijving |
| 8. Centrifuge Deksel | 20. Behuizing Motor |
| 9. Salade Centrifuge | 21. Rubberen Voet |
| 10. Mesbladhouder | 22. Draaischakelaar |
| 11. Snijblad Fijn Snipperen | 23. Kabel |
| 12. Snijblad Grof Snipperen | 24. *Stekker |

*De vorm van de stekker kan op de afbeelding anders zijn.

VEILIGHEIDSSLOT

De veiligheidspen is ontworpen om te voorkomen dat het apparaat wordt ingeschakeld als:

- Het deksel van de kom of de citruszeef en de kom niet goed op elkaar zijn vergrendeld.
- De kom, blenderkan en maalbeker niet goed op de behuizing van de motor zijn geplaatst.



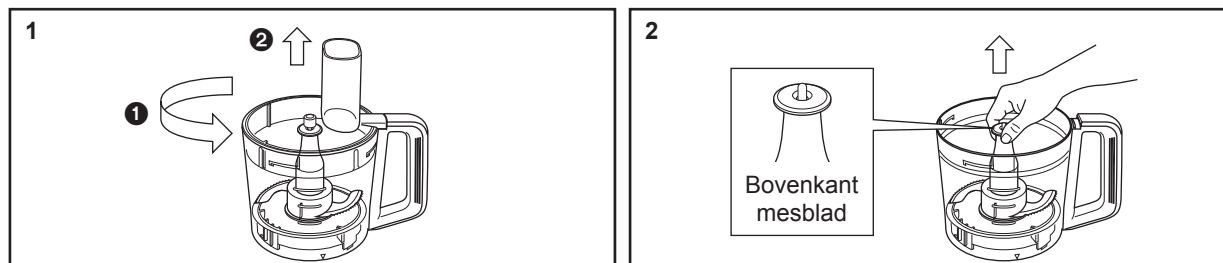
Opmerking:

- Duw niet met instrumenten, stokjes, etc. op de veiligheidspen en veiligheidshendel.
- Giet geen vloeistoffen of ingrediënten in het gebied rondom de veiligheidspen en de veiligheidshendel.
- Houd het gebied rondom de veiligheidspen schoon en voorkom dat er zich vreemde deeltjes ophopen in dit gebied.

Door de voornoemde handelingen zullen de veiligheidspen en de veiligheidshendel goed blijven werken. Indien u deze handelingen niet doet, kan dit leiden tot beschadiging van de onderdelen waar de veiligheidspen op werkt.

DEMONTAGE

Verwijderen uit de verpakking



Draai het deksel van de kom tegen de klok in en til deze van de kom.

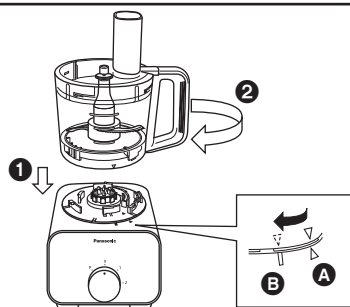
Houd de bovenkant van het mesblad vast en til hem van de kom.

Opmerking:

Pas op de scherpe randen van het mesblad terwijl u deze van de kom verwijdert.

KEUKENMACHINE - INLEIDING -

Het wordt ten eerste aanbevolen om alle hulpstukken en accessoires goed te reinigen en te drogen voordat u het apparaat voor het eerst gebruikt. Raadpleeg pagina NL19 - NL20 voor de reinigingsmethode. Haal de stekker uit het stopcontact als u de eenheid in elkaar zet. Controleer of de draaischakelaar op UIT staat voordat u de stekker in het stopcontact steekt. Raadpleeg pagina NL20 onder 'Opslag' om te zien hoe u de behuizing van de motor opnieuw plaatst.



1. Plaats de kom op de behuizing van de motor tot de markering overeenkomt zoals getoond in **A**.
2. Draai de kom met de klok mee tot u een klikgeluid hoort. Zorg ervoor dat het driehoekteken op de kom overeenkomt met het rechthoekteken op de behuizing van de motor zoals getoond in **B**.

Om te demonteren volgt u de montageschakelen in omgekeerde volgorde.




KEUKENMACHINE - MESBLAD • KNEEDBLAD • KLOPSCHIJF • RASPSCHIJF-

Ingrediënten voorbereiden voor gebruik met het mesblad

Functie	Ingrediënt	Snelheid	Aantal stuks	Bedrijfstijd (Ong.)	Vorbereidingswijze
Hakken	Vlees	2	50 ~ 400 g	5 ~ 50 sec	Verwijder alle huid, botten en pezen, snijd in blokjes van 2~3 cm.
	Vis		50 ~ 500 g	3 ~ 20 sec	
Snijden	Uien	1 (Voortdurende)	150 ~ 500 g	4 ~ 15 tijden	Schil de vruchten en snijd ze in blokjes van 2~3 cm.
	Knoflook	2	5 ~ 500 g	10 ~ 30 sec	Schillen.
	Wortel		50 ~ 450 g	10 ~ 30 sec	Schil de vruchten en snijd ze in blokjes van 2~3 cm.
	Italiaanse peterselie		5 ~ 70 g	10 ~ 40 sec	Steel verwijderen.
	Champignons		30 ~ 250 g	3 ~ 15 sec	In blokjes van 2~3 cm snijden.
Pletten	Parmezaanse kaas	2	10 ~ 200 g	10 ~ 60 sec	In blokjes van 2~3 cm snijden.
Mash	Boiled Potato	PULSEREN	100 ~ 400 g	3 ~ 15 tijden	In blokjes van 2~3 cm snijden. Niet oververwerken.
Bevoren	Bevoren banaan	2	250 ~ 450 g	30 ~ 180 sec	1~2 cm breed, half bevroren, bijv. een tandenstoker kan er doorheen.
IJs vermalen	Ijsklontjes	2	~ 10 stuks	~ 20 sec	Ijsklontjes van 2~3 cm.
Malen	Pinda's	2	10 ~ 200 g	15 ~ 30 sec	Verwijder de dop en het velletje.
Pasta	Geroosterde pinda's	2	100 ~ 400 g	5 ~ 10 min	Verwijder de dop en het velletje.
Verkrumelen	Zacht witbrood	2	10 ~ 200 g	15 ~ 60 sec	Snijd zacht brood in 6 tot 8 stukken.

KEUKENMACHINE - MESBLAD • KNEEDBLAD • KLOPSCHIJF • RASPSCHIJF-


Ingrediënten voorbereiden voor gebruik met het mesblad

Functie	Ingrediënt	Snelheid	Max enkel gebruik	Bedrijfstijd (Ong.)	Vorbereidingswijze
Kneden (voor banket)	Bloem	2	~ 300 g	~ 120 sec	 Gebruiken voor het maken van zoetheid zoals snoep en koek.
Sap maken	Fruit, vloeistof, etc.	2	~ 1,500 mL	~ 120 sec	 In blokjes van 2~3 cm snijden. Eerst vast voedsel verwerken. Vullen met vloeistof tot een totaal van niet meer dan 1.500 mL. Voeg niet meer dan 10 stuks ijsklontjes toe tijdens het verwerken.
Soep maken	Fruit, vloeistof, etc.	2	~ 1,500 mL	~ 120 sec	 In blokjes van 2~3 cm snijden. Eerst vast voedsel verwerken. Vullen met vloeistof tot een totaal van niet meer dan 1.500 mL.

Ingrediënten voorbereiden op de Kneadblad

Functie	Ingrediënt	Snelheid	Max enkel gebruik	Bedrijfstijd (Ong.)	Vorbereidingswijze
Kneden (voor brood)	Bloem voor brood	2	300 g	~ 120 sec	Voeg tijdens de verwerking van deeg gist toe (door gist direct toe te voegen voorafgaand aan de verwerking krijgt u klonten in uw deel en rijst het te vroeg). Als het deeg nog altijd klonten bevat nadat deze verwerkt is voegt u 1 theelepel water toe aan uw mengsel. Als er zich veel trillingen voordoen doordat het deegmengsel zich rondom de invoerbuis wikkelt voegt u 1 eetlepel bloem toe. Verwerk het deeg niet opnieuw nadat de eerste verwerking is voltooid. Als het deeg niet naar uw wens is kneedt u het met de hand verder.
	Vloeistof		160 ~ 200 mL		

Ingrediënten voorbereiden op de klopschijf

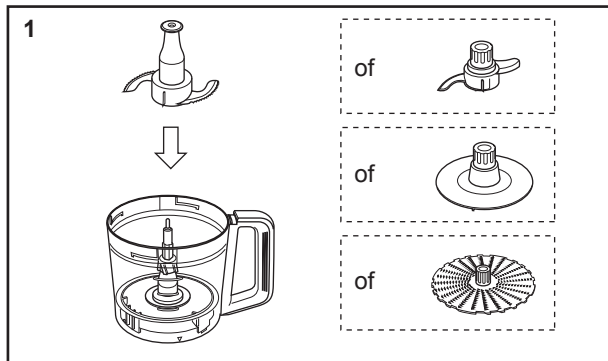
Functie	Ingrediënt	Snelheid	Max enkel gebruik	Bedrijfstijd (Ong.)	Vorbereidingswijze
Kloppen	Eiwitten	2	2 ~ 6 stuks	50 sec ~ 90 sec	 Scheid het eiwit van het eigeel voor een gladde meringue.
	Room		100 ~ 300 mL	15 sec ~ 2 min	 Gebruik verse room met een vetinhoud van 35% of meer op een temperatuur van 5 °C.

Ingrediënten voorbereiden op de raspschijf

Functie	Ingrediënt	Snelheid	Max enkel gebruik	Bedrijfstijd (Ong.)	Vorbereidingswijze
Raspen	Wortel	2	200 g	-	In blokjes van 2~3 cm snijden.
	Appel		200 g		
	Komkommer		200 g		

KEUKENMACHINE - MESBLAD • KNEEDBLAD • KLOPSCHIJF • RASPSCHIJF-

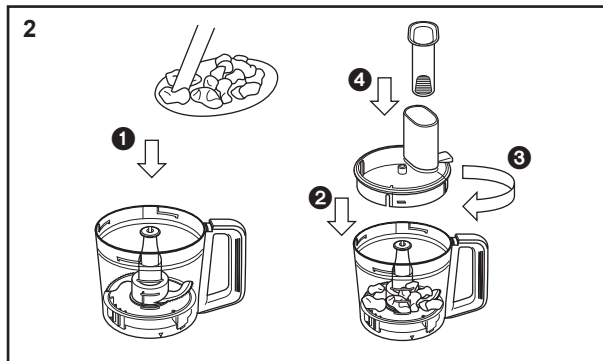
Gebruiksaanwijzing: Mesblad • Kneadblad • Klopschijf • Raspschijf



Nadat u de kom op de behuizing van de motor heeft geplaatst, Plaats het mesblad (kneadblad, klopschijf of raspschijf) in de kom.

Opmerking:

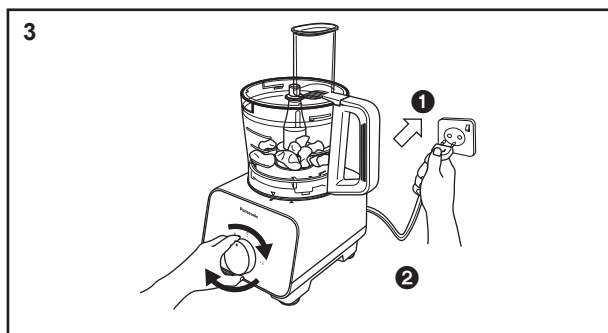
In geval van de raspschijf plaatst u de ingrediënten op de schijf en verspreidt u ze gelijk.



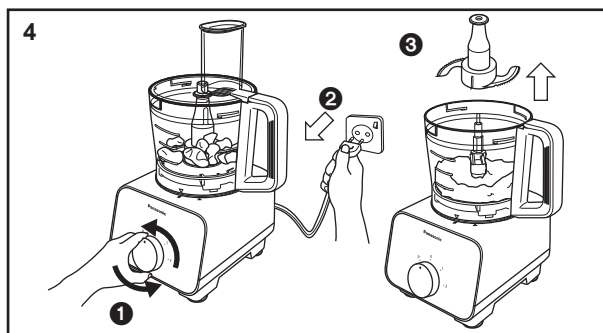
Plaats de ingrediënten in de kom. Plaats het deksel op de kom en draai deze met de klok mee tot u een klikgeluid hoort. Plaats de stamper in de invoerbuis. Plaats de kom op de behuizing van de motor, zoals afgebeeld op pagina NL10.

Opmerking:

In geval van de raspschijf plaatst u de ingrediënten op de schijf en verspreidt u ze gelijk.



Steek de stekker in het stopcontact en zet de draaischakelaar op de gewenste snelheid (raadpleeg "Ingrediënten voorbereiden" op pagina NL10-NL11).

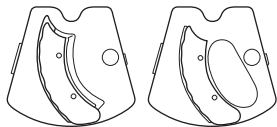


Nadat u de ingrediënten heeft verwerkt zet u de draaischakelaar UIT op positie "0" en haalt u de stekker uit het stopcontact. Verwijder het mesblad uit de kom voordat u de verwerkte ingrediënten uit de kom haalt.

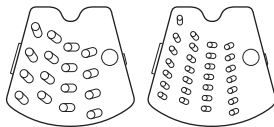
Opmerking:

- Zorg er altijd voor dat het mesblad is geplaatst voordat u ingrediënten in de kom plaatst.
- Plaats niet meer ingrediënten dan de aangegeven hoeveelheid gezien tijdens het kneden zich dan buitengewone trillingen kunnen voordoen.
- Plaats geen warme ingrediënten in de kom om te verwerken. Zorg er altijd voor dat de ingrediënten die u plaatst voldoende zijn afgekoeld voordat u ze in de kom plaatst, bijv. gekookte aardappelen.
- Als u sap wilt maken vult u de kom eerst met de vaste ingrediënten, gevolgd door de vloeibare ingrediënten. Overschrijd het totaalvolume van 1.500 ml niet.
- Als u de vloeibare ingrediënten verwerkt samen met ijsklontjes plaatst u niet meer dan circa 10 ijsklontjes (ongeveer 170 g).
- Overschrijd de aangegeven hoeveelheid ingrediënten niet gezien er zich buitengewone trillingen kunnen voordoen tijdens het kneden.
- Klop slagroom niet te lang of te hard. Hierdoor kan het namelijk gaan schiften en uiteenvallen in klonten boter.
- U bereikt verschillende resultaten met verschillende merken slagroom. Aanbevolen wordt om te kloppen tot de room voldoende is geklopt.
- Afhankelijk van de snelheid en hoeveelheid ingrediënten doen er zich aanzienlijke trillingen voor. Houd in dat geval het deksel van de kom met beide handen vast om deze tijdens gebruik te ondersteunen.
- Verwerk het deeg niet nog een keer nadat deze voor de eerste keer is gevormd wanneer u kneedt.
- Grote hoeveelheden boter en suiker in het deeg kunnen tot buitengewone trillingen leiden als u het kneedblad gebruikt.
- Als u een andere bloemsoort gebruikt dan reguliere bloem kan het kneedblad buitengewone trillingen veroorzaken. Voor verwerking verwijdert u 1 ~ 2 eetlepels water uit de aangegeven totaalhoeveelheid en voegt u het water indien nodig beetje voor beetje toe.

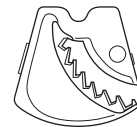
KEUKENMACHINE - SNIJBLADEN • RASPSCHIJVEN • JULIENNEMES -



Snijbladen (dik/dun)
- worden gebruikt voor het snijden van ingrediënten

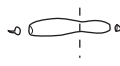

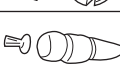




Snipperbladen (grof/fijn)
- worden gebruikt voor het snipperen en raspen van ingrediënten.

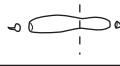





Snijblad Franse frietjes
- wordt gebruikt voor het maken van Franse frietjes en voor het snipperen van ingrediënten.

Ingrediënten voorbereiden op snijbladen (dik/dun)

Functie	Ingrediënt	Snelheid	Max enkel gebruik	Bedrijfstijd (Ong.)	Vorbereidingswijze
Snijden	Komkommer	2	700 g	-	    
	Uien		700 g		
	Wortel		600 g		
	Aardappel		600 g		
	Kool		400 g		

Ingrediënten voorbereiden op snijbladen (grof/fijn)

Functie	Ingrediënt	Snelheid	Max enkel gebruik	Bedrijfstijd (Ong.)	Vorbereidingswijze
Snipperen	Komkommer	2	500 g	-	  
	Wortel		500 g		
	Aardappel		650 g		
	Kaas		500 g		

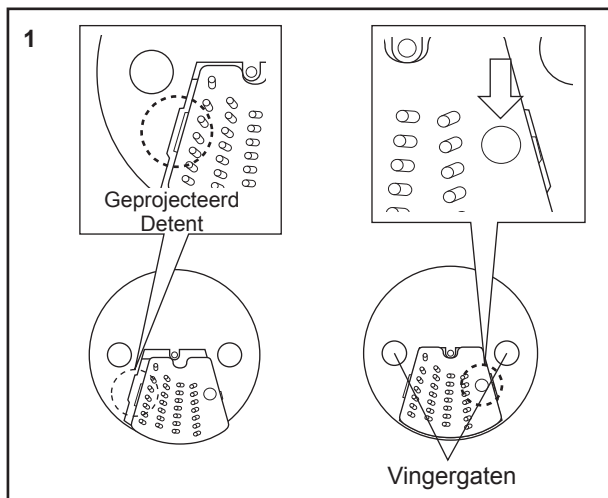
Ingrediënten voorbereiden op Juliennemes

Functie	Ingrediënt	Snelheid	Max enkel gebruik	Bedrijfstijd (Ong.)	Vorbereidingswijze
Franse frietjes	Aardappel	2	800 g	-	 
Snipperen	Kool		500 g		

Nederlands

KEUKENMACHINE - SNIJBLADEN • RASPSCHIJVEN • JULIENNEMES -

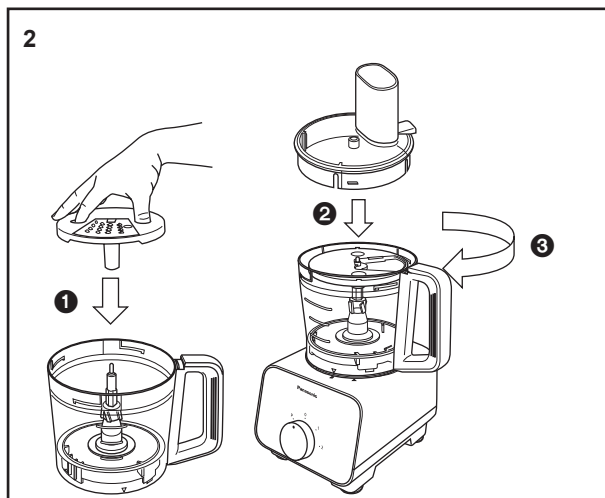
Gebruiksaanwijzing: Snijbladen (dik/dun), snijbladen (grof/fijn), Juliennemes



Plaats het gewenste snijblad in de mesbladhouder en zorg ervoor dat deze goed bevestigd is. Duw op het mesblad op het kuiltje tot u een klikgeluid hoort.

Opmerking:

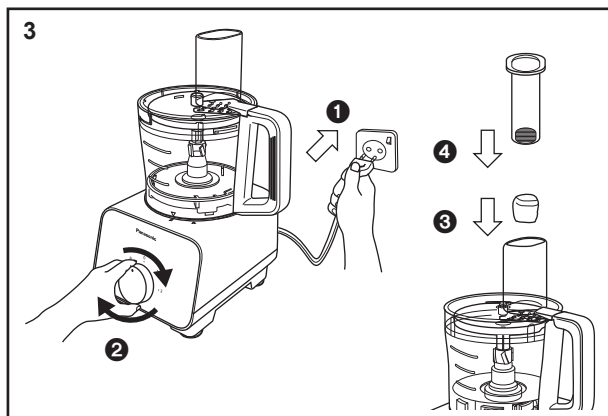
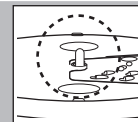
- Pas op de scherpe randen van het mesblad tijdens het plaatsen in de mesbladhouder.
- Om het mesblad te verwijderen draait u de mesbladhouder om en drukt u op de andere zijde van de markering "DUWEN" op het mesblad.



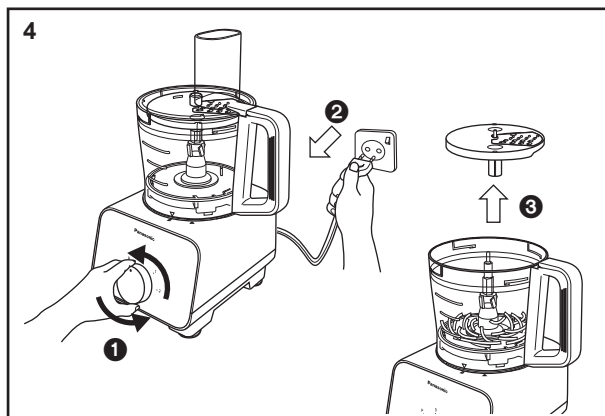
Plaats de ingrediënten in de kom. Plaats de kom op de behuizing van de motor zoals afgebeeld op pagina NL9 en plaats vervolgens de mesbladhouder op de kom. Plaats het deksel op de kom en draai deze met de klok mee tot u een klikgeluid hoort.

Opmerking:

Zorg ervoor dat de metalen buis uit de mesbladhouder steekt nadat u het mesblad heeft geplaatst.



Steek de stekker in het stopcontact en zet de draaischakelaar op de gewenste snelheid (raadpleeg "Ingrediënten voorbereiden" op pagina NL13). Plaats de ingrediënten in de invoerbuis en duw ze naar beneden met de stamper.



Nadat u de ingrediënten heeft verwerkt zet u de draaischakelaar UIT op positie "0" en haalt u de stekker uit het stopcontact. Verwijder de mesbladhouder uit de kom voordat u de verwerkte ingrediënten uit de kom haalt.

Opmerking:

- Als u lange, dunne ingrediënten gebruikt plaatst u deze tegen de zijkant van de invoerbuis, zoals afgebeeld op Afbeelding 1. Zo worden de ingrediënten even ondersteund om te voorkomen dat ze ongelijk worden verwerkt.
- Gooi eventuele overgebleven stukken onverwerkte ingrediënten weg.
- Plaats ingrediënten met veel vezels zoals aangegeven op Afbeelding 2 zodat deze consistent verwerkt worden.

Voorwand



Afbeelding 1



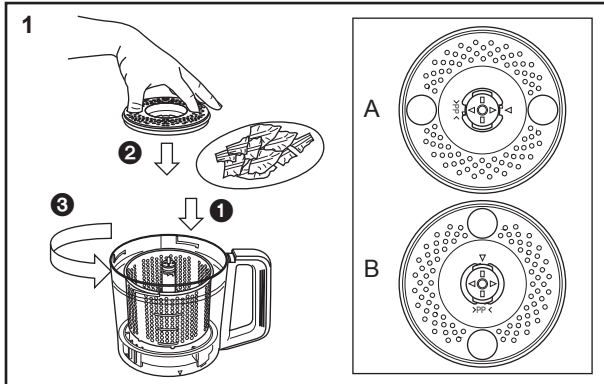
Afbeelding 2

KEUKENMACHINE - SALADECENTRIFUGE -

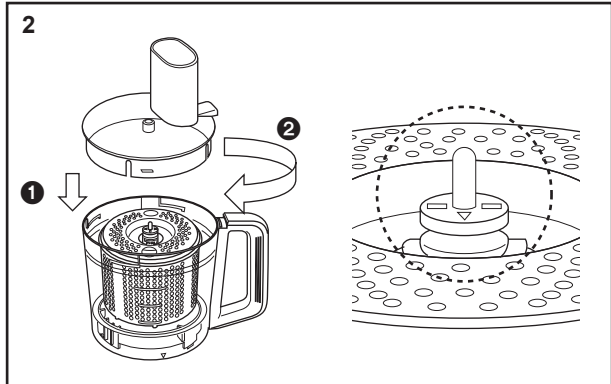
Ingrediënten voorbereiden op de saladecentrifuge

Functie	Ingrediënt	Snelheid	Max enkel gebruik	Bedrijfstijd (Ong.)	Vorbereidingswijze
Centrifugeren	Slablaadjes	1	100 g	20 ~ 40 sec	 Snijd in stukken van 3~5 cm.
	Kool		200 g	20 ~ 50 sec	 Snipper tot 1~3 mm.

Gebruiksaanwijzing: Saladecentrifuge



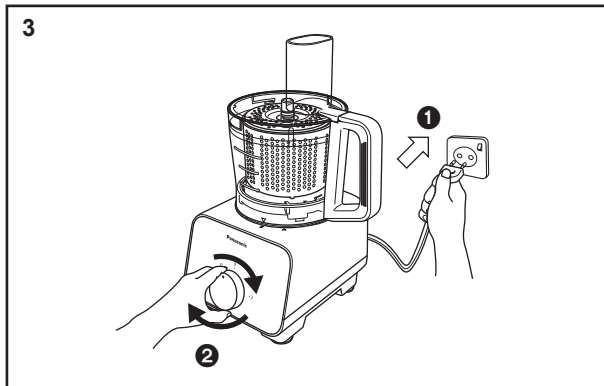
Nadat u de saladecentrifuge in de kom heeft geplaatst, plaatst u de ingrediënten in de saladecentrifuge. Plaats het centrifugedeksel op de saladecentrifuge tot de markering overeenkomt zoals in A. Draai het centrifugedeksel tegen de klok in tot de markering overeenkomt zoals in B.



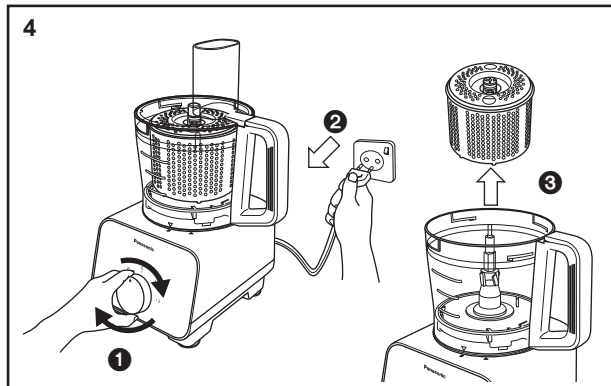
Plaats het deksel op de kom en draai deze met de klok mee tot u een klinkgeluid hoort. Plaats de kom op de behuizing van de motor, zoals afgebeeld op pagina NL10.

Opmerking:

Zorg ervoor dat de aandrijving uit de slacentrifuge steekt wanneer deze in de kom is geplaatst.



Steek de stekker in het stopcontact en zet de draaischakelaar op de gewenste snelheid.



Nadat u de ingrediënten heeft verwerkt zet u de draaischakelaar UIT op positie "0" en haalt u de stekker uit het stopcontact. Verwijder de slacentrifuge uit de kom.

Opmerking:

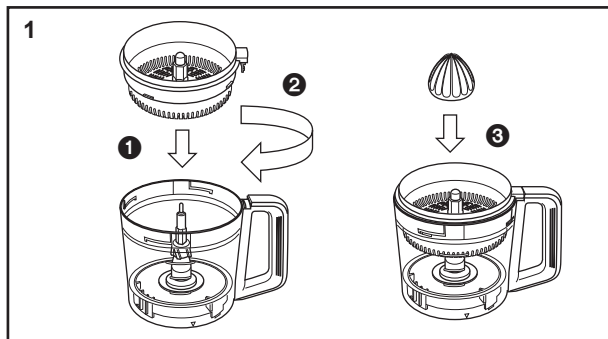
- Maximale werkcapaciteit van de slacentrifuge: 200 g of tot de maximale hoogte van de saladecentrifuge, naar gelang wat eerder van toepassing is.
- Ingrediënten die niet zijn toegestaan: Raadpleeg pagina NL6.
- Zorg ervoor dat de ingrediënten gelijk zijn verspreid in de saladecentrifuge voordat u ze gaat verwerken.
- Zorg er altijd voor dat het centrifugedeksel goed op de saladecentrifuge is geplaatst voordat u ingrediënten gaat verwerken. Anders kunnen de ingrediënten eruit komen en rond worden geslingerd in de kom.
- Afhankelijk van de snelheid en hoeveelheid ingrediënten doen er zich aanzienlijke trillingen voor. Houd in dat geval het centrifugedeksel tegen tijdens gebruik.

KEUKENMACHINE - PERSKEGEL -

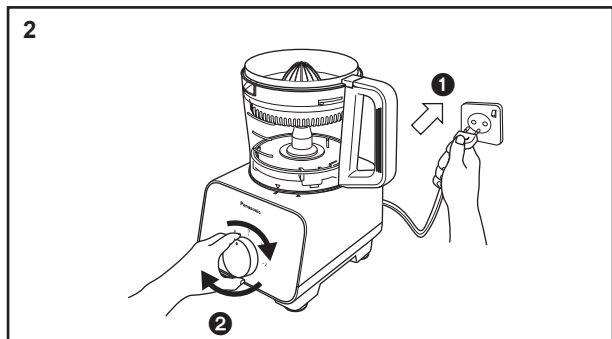
Ingrediënten voorbereiden op de Perskegel

Functie	Ingrediënt	Snelheid	Max enkel gebruik	Bedrijfstijd (Ong.)	Vorbereidingswijze
Persen	Citrusfruit	1	1000 mL	-	 Halveer het fruit.

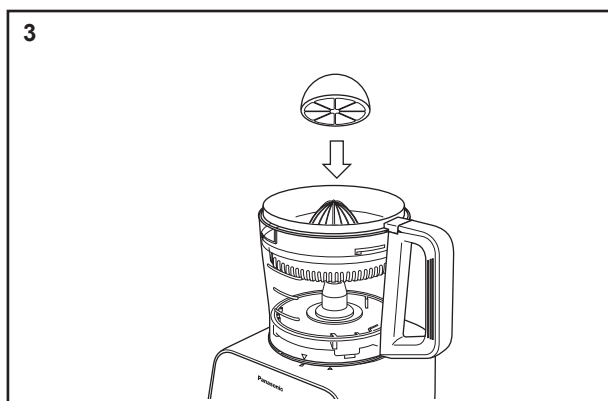
Gebruiksaanwijzing: Perskegel



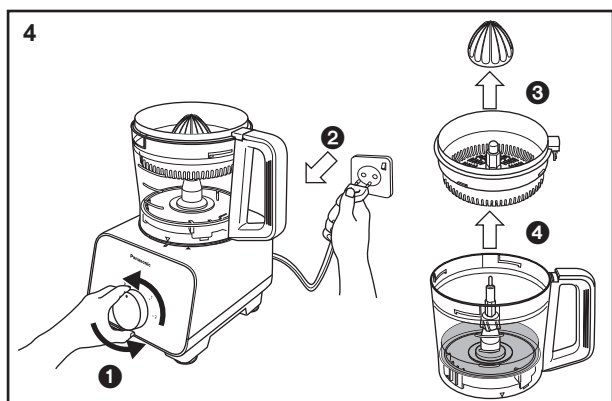
Plaats de citruszeef op de kom. Draai deze met de klok mee tot u een klikgeluid hoort. Plaats de Perskegel op de aandrijving.



Plaats de kom op de behuizing van de motor, zoals afgebeeld op pagina NL10. Steek de stekker in het stopcontact en zet de draaischakelaar op de gewenste snelheid.



Plaats het gehalveerde fruit met de fruitzijde op de Perskegel en duw er stevig op om het fruit te persen.



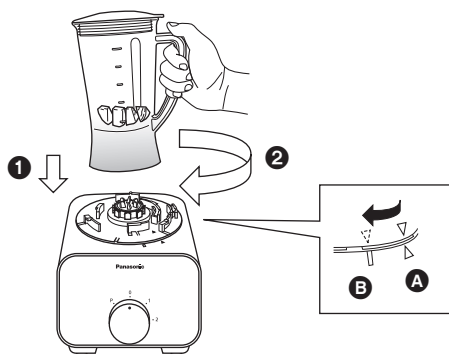
Nadat u de ingrediënten heeft verwerkt zet u de draaischakelaar UIT op positie "0" en haalt u de stekker uit het stopcontact. Verwijder de Perskegel uit de kom voordat u het geperste sap in een glas giet.

Opmerking:

- Zorg er altijd voor dat de Perskegel op de citruszeef is geplaatst voordat u ingrediënten gaat verwerken.
- Stop de verwerking regelmatig om het pulp te verwijderen dat op de citruszeef achterblijft zodat het fruit verder goed geperst kan worden.
- Het wordt afgeraden om de Perskegel te gebruiken op een snelheid hoger dan niveau 2.
- Raak de perskegel niet aan als deze draait.

BLENDER


Inleiding



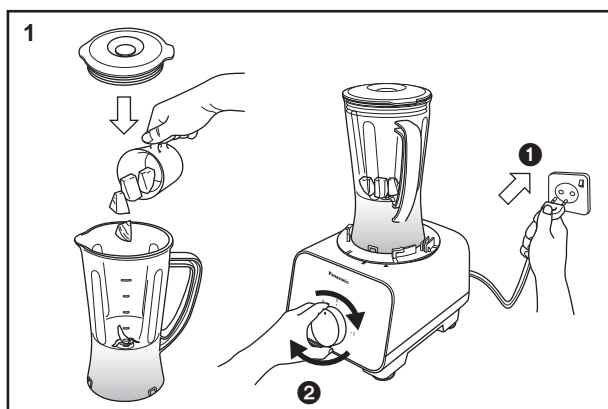
1. Plaats de blenderkan op de behuizing van de motor. Zorg ervoor dat het driehoekteken op de blenderkan overeenkomt met het driehoekteken op de behuizing van de motor, zoals op positie **A**.
2. Draai de blenderkan met de klok mee tot u een klikgeluid hoort. Zorg ervoor dat het driehoekteken van de blenderkan overeenkomt met het rechthoekteken op de behuizing van de motor, zoals op positie **B**.

Om te demonteren volgt u de montagestappen in omgekeerde volgorde.

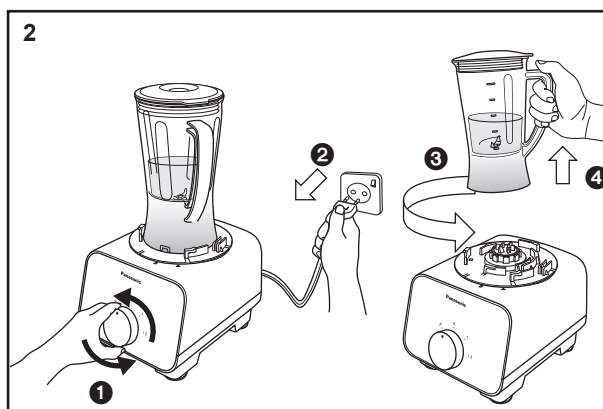
De blenderkan monteren en demonteren

Functie	Ingrediënt	Snelheid	Max enkel gebruik	Bedrijfstijd (Ong.)	Vorbereidingswijze
Persen	Fruit, groenten	2	1,000 mL	~ 2 min	 Snijd in blokjes van 1 cm.

Gebruiksaanwijzing: Blender



Plaats ingrediënten in de blenderkan en sluit de blenderkan af met het blenderdeksel. Plaats de blendereenheid op de behuizing van de motor, zoals afgebeeld op pagina NL17. Steek de stekker in het stopcontact en zet de draaischakelaar op de gewenste snelheid.



Nadat u de ingrediënten heeft verwerkt zet u de draaischakelaar UIT op positie "0" en haalt u de stekker uit het stopcontact. Verwijder de blendereenheid van de behuizing van de motor en verwijder de ingrediënten uit de blenderkan.

Opmerking:

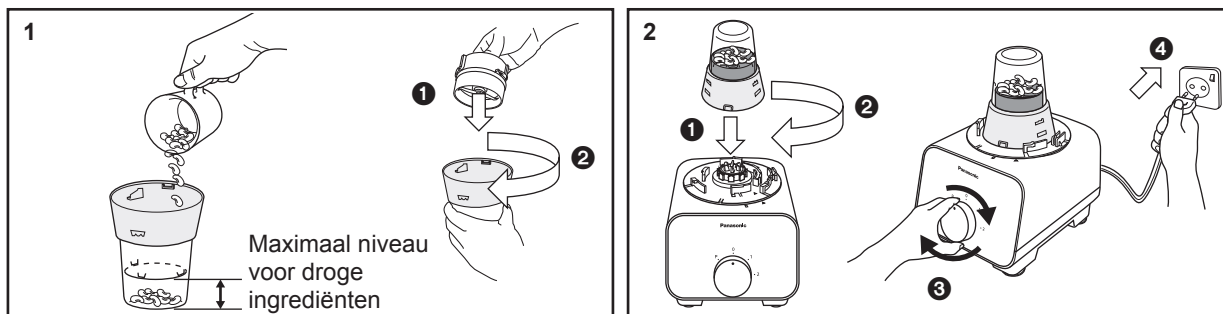
- Maximale werkcapaciteit: 1 L
- Ingrediënten die niet zijn toegestaan voor gebruik in de blenderkan: Raadpleeg pagina NL6.
- Het wordt afgeraden om harde, kleverige ingrediënten in de blender te verwerken. Snijd indien nodig de harde ingrediënten in kleine stukjes (snijd bijv. wortels in blokjes van 1 cm³) en vul de blenderkan met de ingrediënten, waarbij u erop let dat u hem niet verder vult dan tot de helft van de beoordeelde capaciteit.
- Vul de kan niet tot meer dan het maximale niveau en verwijder ingrediënten als de keukenmachine een vreemd geluid maakt of als er tijdens gebruik zich veel trillingen voordoen.
- Voeg zachte ingrediënten (Fruit, groenten) toe aan de blenderkan voordat u andere ingrediënten toevoegt.
- Als het mesblad vastraakt schakelt u de keukenmachine onmiddellijk uit en haalt u de stekker uit het stopcontact. Probeer de ingrediënten niet met uw vingers te verwijderen, maar gebruik een voorwerp zoals een lepel.
- Tijdens het mengen kan het voorkomen dat ingrediënten uit het gat in het blenderdeksel spatten. In dat geval veegt u het af met een droge doek.
- Gebruik de keukenmachine niet langer dan de beoordeelde duur (2 min AAN, 2 min UIT).

HAKMOLEN

Ingrediënten voorbereiden op malen

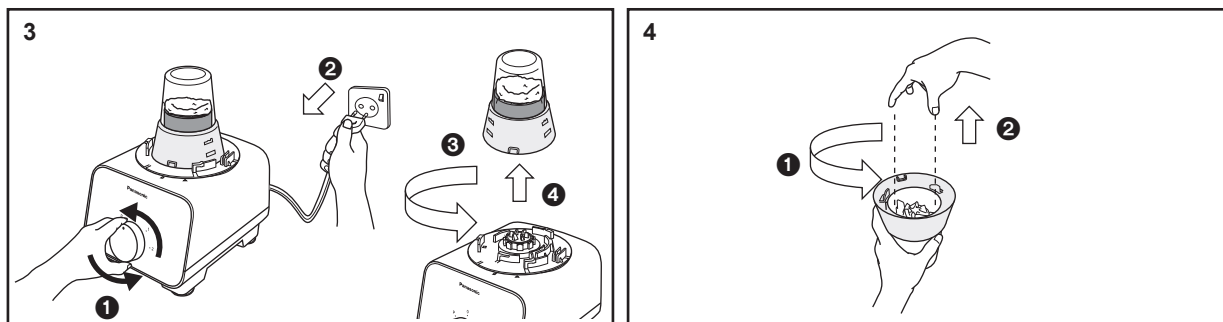
Functie	Ingrediënt	Snelheid	Max enkel gebruik	Bedrijfstijd (Ong.)	Vorbereidingswijze
Malen	Koffiebonen	2	Tot max niveau	~ 60 sec	-
	Peper				

Ingrediënten voorbereiden op malen



Zet de maalbeker op zijn kop en plaats de ingrediënten zonder het maximale niveau te overschrijden. Plaats de basis van de hakmolen op de maalbeker en draai deze met de klok mee tot u een klikgeluid hoort. Controleer of de ribbels op de basismaler en het oppervlak aan de binnenkant van de maalbeker stevig zijn vastgehaakt.

Plaats de basis van de hakmolen op de behuizing van de motor. Draai de basis van de hakmolen met de klok mee tot u een klikgeluid hoort. Steek de stekker in het stopcontact en zet de draaischakelaar op de gewenste snelheid.



Nadat u de ingrediënten heeft verwerkt zet u de draaischakelaar UIT op positie "0" en haalt u de stekker uit het stopcontact. Verwijder de basis van de hakmolen van de behuizing van de motor en verwijder de ingrediënten.

Draai de basis van de hakmolen tegen de klok in om hem los te maken en til hem op van de maalbeker.

Opmerking:

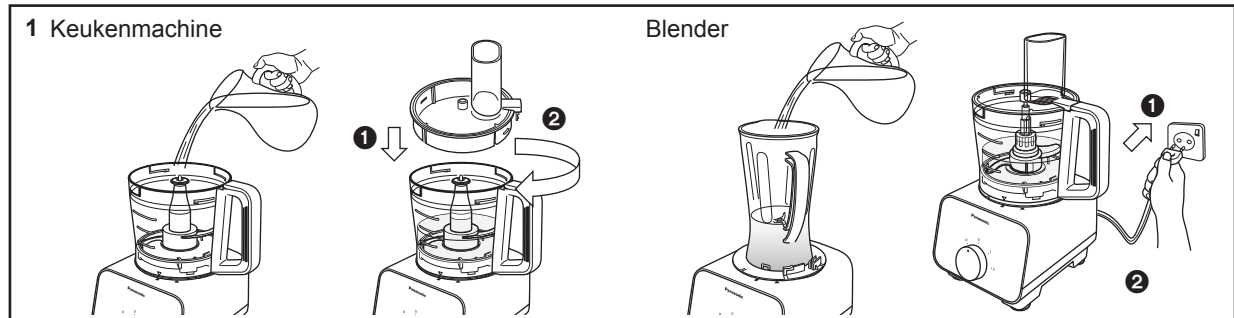
- Pas op dat u het maalblad niet raakt terwijl u de ingrediënten verwijdert.
- Gebruik de keukenmachine niet langer dan de beoordeelde duur (1 min AAN, 2 min UIT).
- Ingrediënten die niet zijn toegestaan: Raadpleeg pagina NL6.
- Gebruik de eenheid niet met een lege hakmolen.
- Plaats niet meer ingrediënten dan het maximale niveau en verwijder ingrediënten als de keukenmachine een vreemd geluid maakt of als er zich trillingen voordoen.

NA GEBRUIK

Schoonmaken

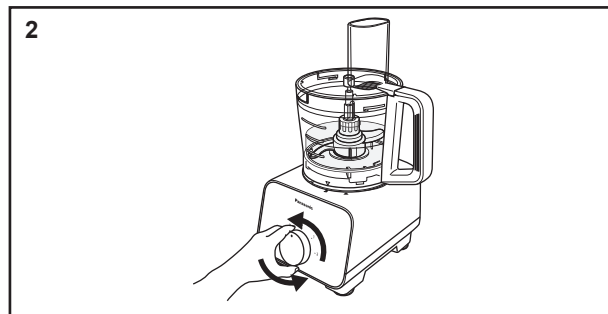
Vooraf wassen

Door vooraf te wassen wordt het schoonmaken gemakkelijker. Deze kan worden gebruikt voor het mesblad en de blendereenheid. Voor vooraf wassen volgt u de onderstaande stappen.

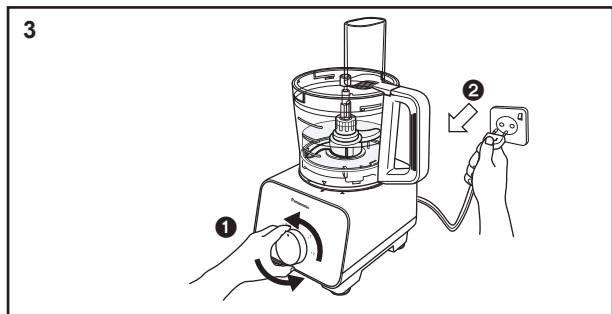


Plaats het gebruikte accessoire in de kom, vul de kom met water tot het accessoire onder water staat (max. 500 ml). Plaats het deksel van de kom op de kom en draai deze met de klok mee tot u een klikgeluid hoort.

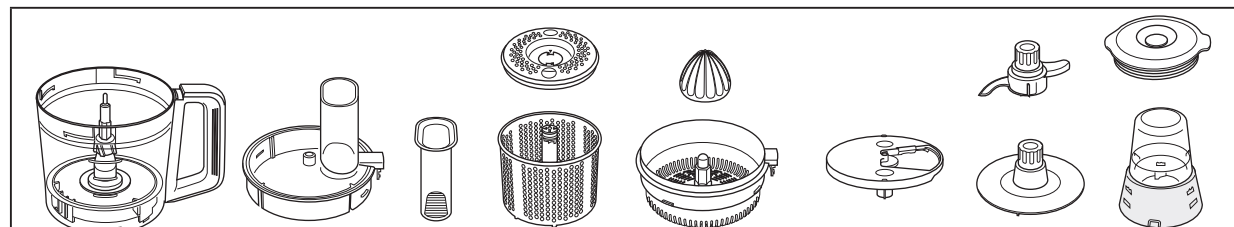
Vul de blenderkan met 500ml water en sluit deze af met het deksel om de blendereenheid schoon te maken. Steek de stekker in het stopcontact, zet de Aan/uitschakelaar aan en draai aan de draaiknop voor de gewenste snelheid.



KEUKENMACHINE: Zet de draaischakelaar op "PULSEREN" 5 ~ 10 keer. **Blender:** Draai de draaischakelaar om snelheid 2 te selecteren en gebruik hem 10 ~ 20 seconden.



Zet de draaischakelaar UIT op positie "0" en haal de stekker uit het stopcontact. Verwijder de hulpstukken en maak de keukenmachine verder schoon.



Was de onderdelen door ze goed af te spoelen onder stromend water. Gebruik indien nodig een neutraal afwasmiddel. Droog alles met een schone doek.



Was de onderdelen door ze onder stromend water af te spoelen en maak alles schoon met de borstel. Gebruik indien nodig een neutraal afwasmiddel.

Opmerking:

- Deze onderdelen zijn ontzettend scherp. Tijdens het schoonmaken moet u hier dus extra voorzichtig mee omgaan. Sla tijdens het schoonmaken deze onderdelen niet op harde voorwerpen.
- De Basis Hakmolen mag niet worden gewassen. Gebruik de borstel om deze schoon te maken.

NA GEBRUIK

Behuizing van de motor / Rubberen Voet

Veeg vuil of vlekken eraf met een schone, vochtige doek.

Opmerking:

- Zorg ervoor dat de stekker uit het stopcontact is gehaald voordat u de behuizing van de motor gaat schoonmaken.
- Maak de behuizing van de motor niet schoon onder stromend water.
- Gebruik nooit schurende vloeistoffen (bijv. alcohol, thinner, etc.) om de behuizing van de motor schoon te maken.

Schoonmaken in een vaatwasser

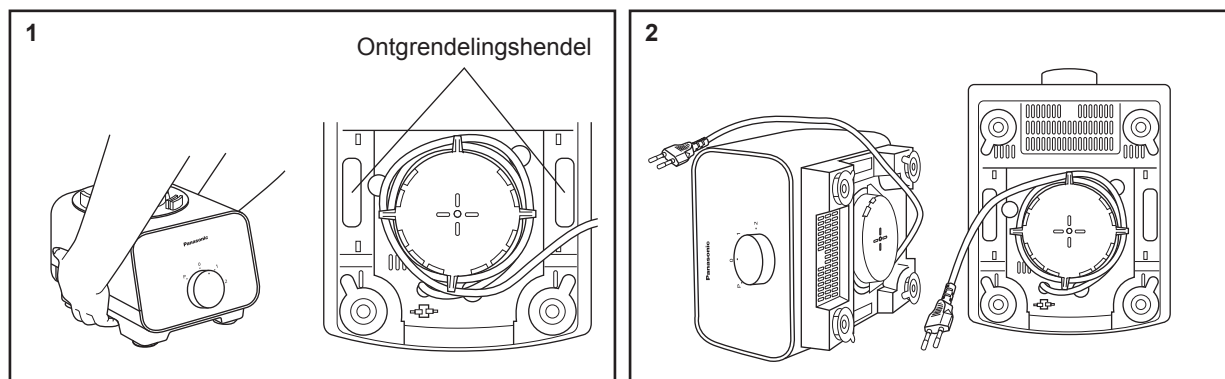
De kom en het deksel van de kom van dit apparaat zijn vaatwasserbestendig.

Opmerking:

- Plaats de onderdelen niet in de buurt van de verwarming van de vaatwasser gezien een hoge temperatuur de onderdelen kan beschadigen.

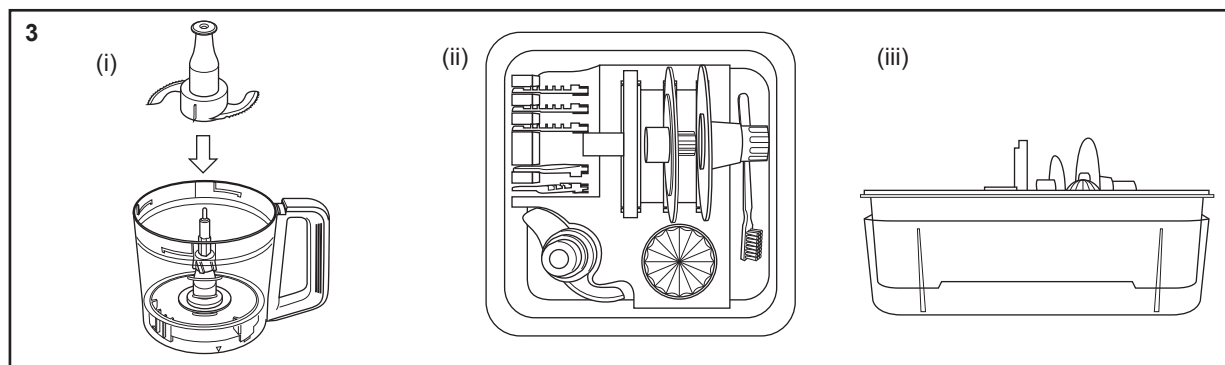
Opslag

Zorg ervoor dat alle hulpstukken en de kom van de behuizing van de motor zijn verwijderd voordat u alles opslaat.



Om de rubberen voet op de voet van de behuizing van de motor te verwijderen maakt u de ontgrendelingshendel onderaan de behuizing van de motor los, zoals afgebeeld op de bovenstaande afbeelding. Hierna tilt u de hendel op.

Kantel de behuizing van de motor en wikkel het snoer gedeeltelijk rondom het wikkelpunt, waarbij u de stekker aan de zijkant laat hangen.



(i) Sla het mesblad op in de kom. Er is een opbergbox meegeleverd om de andere hulpstukken op te slaan. Sla de hulpstukken op als aangegeven op de verpakking.

(ii) Een lijst van de hulpstukken in de opbergbox: mesblad, perskegel, dik snijblad, dun snijblad, snijblad Fijn Snipperen, Snijblad Grof Snipperen, Juliennemes, mesbladhouder, raspschijf, klopschijf en borstel.

(iii) Plaats de Opbergbox Deksel onder de Opbergbox om de uitgelekte water op te vangen uit de gewassen bijlagen.

Opmerking:

- Gooi de flexibele kunststof deksel na opening van de Opbergbox.

PROBLEEMOPLOSSING

Controleer de volgende punten voordat u onderhoud regelt.

Probleem	Oorzaak en oplossing
Het apparaat schakelt niet in.	<ul style="list-style-type: none">● De stekker zit te los in het stopcontact.<ul style="list-style-type: none">➔ Steek de stekker stevig in het stopcontact.
De keukenmachine werkt niet, zelfs niet als de draaischakelaar AAN staat.	<ul style="list-style-type: none">● De kom, blendereenheid of maaleenheid is niet goed op de behuizing van de motor geplaatst.<ul style="list-style-type: none">➔ Zorg ervoor dat het driehoekteken overeenkomt met het rechthoekteken op de behuizing van de motor, als afgebeeld op pagina NL9.● Het deksel van de kom of de citruszeef is niet goed op de kom geplaatst.<ul style="list-style-type: none">➔ Zorg ervoor dat het deksel van de kom of de citruszeef goed op de kom is geplaatst.● De ingrediënten zijn vastgelopen.<ul style="list-style-type: none">➔ Verwijder voorzichtig de ingrediënten en zorg ervoor dat de aangegeven hoeveelheid wordt gebruikt.
Het apparaat stopt ineens tijdens gebruik.	<ul style="list-style-type: none">● De bescherming van de stroomonderbreker is geactiveerd. (Raadpleeg pagina NL8)<ul style="list-style-type: none">• Er zijn te veel ingrediënten ingevoerd.<ul style="list-style-type: none">➔ Verwijder de overtollige ingrediënten en zorg ervoor dat u de aangegeven hoeveelheid gebruikt.• Grote stukken of harde ingrediënten zijn gebruikt.<ul style="list-style-type: none">➔ Zorg ervoor dat de ingrediënten in de aangegeven grootte zijn gesneden. Gebruik geen harde ingrediënten zoals bevroren voedsel of zeer dicht voedsel.● Het veiligheidsslot is geactiveerd. (Raadpleeg pagina NL9)<ul style="list-style-type: none">• Buitengewone trillingen tijdens het gebruik kunnen ertoe leiden dat het veiligheidsslot wordt geactiveerd.<ul style="list-style-type: none">➔ Zorg ervoor dat ingrediënten worden gebruikt in hoeveelheden en afmetingen zoals aangegeven.➔ Plaats het deksel of de citruszeef goed op de kom en zorg ervoor dat de kom, blendereenheid of maaleenheid goed op de behuizing van de motor is geplaatst.
Er doen zich buitengewone trillingen en een vreemd geluid voor tijdens gebruik.	<ul style="list-style-type: none">● De rubberen voet en/of het werkblad zijn niet schoon.<ul style="list-style-type: none">➔ Veeg vuil of vlekken eraf met een schone, vochtige doek. De rubberen voet werkt alleen als deze op een schone, gladde ondergrond is geplaatst.● De ingrediënten die u heeft gebruikt zijn te hard of het zijn er te veel.<ul style="list-style-type: none">➔ Zorg ervoor dat u de ingrediënten gebruikt zoals aangegeven en verwijder wat ingrediënten als het er te veel zijn.
De textuur en consistentie van de verwerkte ingrediënten waren niet goed.	<ul style="list-style-type: none">● Sommige ingrediënten zijn rauw te lastig om te verwerken, bijv. pompoen.<ul style="list-style-type: none">➔ Het kan nodig zijn om ingrediënten voor te koken om ze zachter te maken voor verwerking, d.w.z. u moet er gemakkelijk een vork in kunnen prikken.● De afmetingen van de ingrediënten zijn niet volgens de voorbereidingsmethode.<ul style="list-style-type: none">➔ Bereid de ingrediënten voor volgens de aangegeven afmetingen.● Het verwerken van bepaalde ingrediënten tegelijkertijd kan leiden tot klonten wanneer u de functie Bevroren gebruikt.● De maximale hoeveelheid ingrediënten en verwerkingsduur zijn bedoeld als richtlijn. Als u minder ingrediënten of andere ingrediënten gebruikt dan zullen de prestaties anders zijn.<ul style="list-style-type: none">➔ Verwerk de ingrediënten met een geschikte duur tot de gewenste textuur en consistentie zijn bereikt.

SPECIFICATIES

Modelnr.	MK-F500	
Funcie	Keukenmachine	Blender & Hakmolen
Stroomtoevoer	220 - 240 V ~ 50 - 60 Hz	
Stroomverbruik	180 - 200 W	
Schakelaar	Draaischakelaar	
Classificatie gebruik	2 minuten AAN, 4 minuten UIT	Blender: 2 minuten AAN, 2 minuten UIT Hakmolen: 1 minuut AAN, 2 minuten UIT
	Met uitzondering van wat aangegeven staat op de pagina "Ingrediënten voorbereiden" in deze gebruikershandleiding.	
Afmetingen (ongeveer) (LxBxH)	435 x 264 x 265 mm	Blender : 406 x 264 x 265 mm Hakmolen : 298 x 264 x 265 mm
Gewicht (ongeveer)	3,1 kg	Blender : 2,8 kg Hakmolen : 2,6 kg
Capaciteit (ongeveer)	Capaciteit kan: 2,5 L Maximale werkcapaciteit: Vloeistoffen = 1,5 L Vast voedsel = 600 g	Blender : 1 L Hakmolen : 50 g (koffiebonen)
	Met uitzondering van wat aangegeven staat op de pagina "Ingrediënten voorbereiden" in deze gebruikershandleiding.	
Hulpstukken & accessoires	Mesblad, raspschijf, kneedblad, klopschijf, slacentrifuge, mesbladhouder, raspschijven (grof & fijn), snijbladen (dik/dun), Juliennemes, perskegel en opbergenheid	Blendereenheid, maaleenheid
Algemene accessoires	Borstel met spatel	
Vaatwasserbestendige onderdelen	Kom en deksel van de kom	
Akoestisch geluidsniveau	88 (dB (A) re 1 pW)	88 (dB (A) re 1 pW)



Het ondoen van oude apparatuur.

Enkel voor de Europese Unie en landen met recycle systemen.

Dit symbool op de producten, verpakkingen en/of begeleidende documenten betekent dat gebruikte elektrische en elektronische producten niet samen mogen worden weggegooid met de rest van het huishoudelijk afval.

Voor een juiste verwerking, hergebruik en recycling van oude producten, gelieve deze in te leveren bij de desbetreffende inleverpunten in overeenstemming met uw nationale wetgeving. Door ze op de juiste wijze weg te gooien, helpt u mee met het besparen van kostbare hulpbronnen en voorkomt u potentiële negatieve effecten op de volksgezondheid en het milieu. Voor meer informatie over inzameling en recycling kunt u contact opnemen met uw plaatselijke gemeente.

Afhankelijk van uw nationale wetgeving kunnen er boetes worden opgelegd bij het onjuist weggooien van dit soort afval.

Panasonic Test and Development Kitchen
Panasonic Consumer Electronics U.K.
A Division of Panasonic U.K. Ltd
Willoughby Road, Bracknell, Berks, RG12 8FP

Representative in EU :
Panasonic Marketing Europe GmbH
Panasonic Testing Centre
Winsbergring 15, 22525 Hamburg, Germany

Panasonic Manufacturing Malaysia Berhad.
No. 3, Jalan Sesiku 15/2, Section 15, Shah Alam Industrial Site,
40200 Shah Alam, Selangor Darul Ehsan, Malaysia.
<http://www.panasonic.com>

Printed in Malaysia

© Panasonic Manufacturing Malaysia Berhad 2016

UZ50G155
F0416-0

E1