



جهاز تبريد عمودي

Floor Standing Type AIR CONDITIONERS

دليل المستخدم

User's Manual

الموديل:

FHA-H54R410INV9 ▲
FHA-H70R410INV9 ▲

Model:

▲ FHA-H54R410INV9
▲ FHA-H70R410INV9

الرجاء قراءة هذا الدليل بعناية قبل تشغيل الجهاز،
و احتفظ به للرجوع إليه مستقبلاً.

هذه التصاميم و المواصفات عرضة للتغيير بهدف إدخال تحسينات عليها
و ذلك دون إشعار مسبق.

Please read this manual carefully before operating your set.
Retain it for future reference.

Designs and specifications are subject to change for improvement
without prior notice.

ISO9001 CB

ISO9001 CB

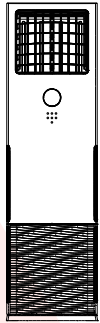
Table of Contents

Owner's Manual

1 Safety Precautions04



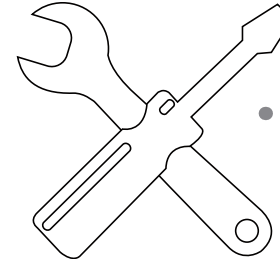
2 Indoor Unit Parts and Major Functions07



3 Manual Operations09

Table of Contents

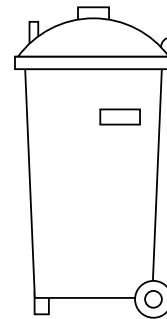
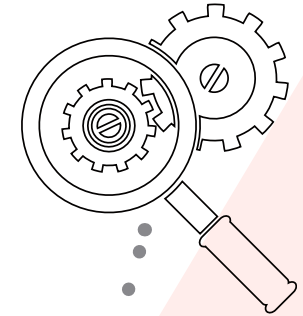
4 Care and Maintenance12



a. Unit Maintenance12
b. How to Clean the Air Filter12
c. Repairing Refrigerant Leaks13
d. Preparation for Periods of Non-use13

5 Troubleshooting14

a. Common Problems14
b. Troubleshooting Tips15



6 European Disposal Guidelines18

Safety Precautions

Thank you for purchasing this air conditioner. This manual will provide you with information on how to operate, maintain, and troubleshoot your air conditioner. Following the instructions will ensure the proper function and extended lifespan of your unit.

Please pay attention to the following signs:



WARNING

Failure to observe a warning may result in death. The appliance must be installed in accordance with national regulations.



CAUTION

Failure to observe a caution may result in injury or equipment damage.

WARNING

1. Ask an authorized dealer to install this air conditioner. Inappropriate installation may cause water leakage, electric shock, or fire.
2. The warranty will be voided if the unit is not installed by professionals.
3. If abnormal situation arises (like burning smell), turn off the power supply and call your dealer for instructions to avoid electric shock, fire or injury.
4. **DO NOT** let the indoor unit or the remote control get wet. It may cause electric shock or fire.
5. **DO NOT** insert fingers, rods or other objects into the air inlet or outlet. This may cause injury, since the fan may be rotating at high speeds.
6. **DO NOT** use a flammable spray such as hair spray, lacquer or paint near the unit. This may cause fire or combustion.
7. The appliance shall be stored so as to prevent mechanical damage from occurring.
8. Compliance with national gas regulations shall be observed.
9. Keep ventilation openings clear of obstruction.

10. Any person who is involved with working on or breaking into a refrigerant circuit should hold a current valid certificate from an industry-accredited assessment authority, which authorises their competence to handle refrigerants safely in accordance with an industry recognised assessment specification.
11. Servicing shall only be performed as recommended by the equipment manufacturer. Maintenance and repair requiring the assistance of other skilled personnel shall be carried out under the supervision of the person competent in the use of flammable refrigerants.
12. This appliance is not intended for use by persons (including children) with reduced physical, sensory or mental capabilities or lack of experience and knowledge, unless they have been given supervision or instruction concerning use of the appliance by a person responsible for their safety.
13. If the supply cord is damaged, it must be replaced by the manufacturer, its service agent or similarly qualified persons in order to avoid a hazard.
14. The appliance shall be installed in accordance with national wiring regulations.

Safety Precautions

15. An all-pole disconnection device which has at least 3mm clearances in all poles, and have a leakage current that may exceed 10mA, the residual current device (RCD) having a rated residual operating current not exceeding 30mA, and disconnection must be incorporated in the fixed wiring in accordance with the wiring rules.

CLEANING AND MAINTENANCE WARNINGS

1. Turn off the device and pull the plug before cleaning. Failure to do so can cause electrical shock.
2. Do not clean the air conditioner with excessive amounts of water.
3. Do not clean the air conditioner with combustible cleaning agents. Combustible cleaning agents can cause fire or deformation. Turn off the device and pull the plug before cleaning. Failure to do so can cause electrical shock.

ELECTRICAL WARNINGS

1. Only use the specified power cord. If the power cord is damaged, it must be replaced by the manufacturer or certified service agent.
2. Keep power plug clean. Remove any dust or grime that accumulates on or around the plug. Dirty plugs can cause fire or electric shock.
3. Do not pull power cord to unplug unit. Hold the plug firmly and pull it from the outlet. Pulling directly on the cord can damage it, which can lead to fire or electric shock.
4. Do not use an extension cord, manually extend the power cord, or connect other appliances to the same outlet as the air conditioner. Poor electrical connections, poor insulation, and insufficient voltage can cause fire.

CAUTION

1. **DO NOT** touch the air outlet while the swing flap is in motion. Fingers might get caught or the unit may break down.
2. **DO NOT** inspect the unit by yourself. Ask an authorized dealer to perform the inspection.
3. To prevent product deterioration, do not use the air conditioner for preservation purposes (storage of food, plants, animals, works of art, etc.).
4. **DO NOT** touch the evaporator coils inside the indoor unit. The evaporator coils are sharp and may cause injury.
5. **DO NOT** operate the air conditioner with wet hands. It may cause electric shock.
6. **DO NOT** place items that might be affected by moisture damage under the indoor unit. Condensation can occur at a relative humidity of 80%.
7. **DO NOT** expose heat-producing appliances to cold air or place them under the indoor unit. This may cause incomplete combustion or deformation of the unit due to the heat.
8. After long periods of usage, check the indoor unit to see if anything is damaged. If the indoor unit is damaged, it may fall and cause injury.
9. If the air conditioner is used together with other heating devices, thoroughly ventilate the room to avoid oxygen deficiency.
10. **DO NOT** climb onto or place objects on top of the outdoor unit.

Safety Precautions

⚠ CAUTION

11. **DO NOT** operate the air conditioner when using fumigant insecticides. The chemicals may become layered with the unit and endanger those who are hypersensitive to chemicals.
12. **DO NOT** let children play with the air conditioner.
13. **DO NOT** operate the air conditioner in a wet room (e.g. bathroom or laundry room). This can cause electrical shock and cause the product to deteriorate.
14. This appliance can be used by children aged from 8 years and above and persons with reduced physical, sensory or mental capabilities or lack of experience and knowledge if they have been given supervision or instruction concerning use of the appliance in a safe way and understand the hazards involved. Children shall not play with the appliance. Cleaning and user maintenance shall not be made by children without supervision.

Indoor Unit Parts And Major Functions

Unit Parts

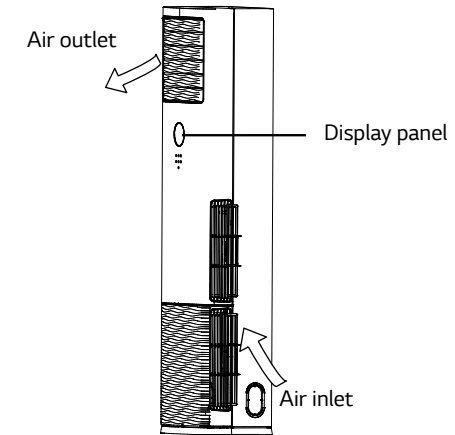


Fig. 2.1

Operating Conditions

Use the system under the following temperatures for safe and effective operation. If the air conditioner is used under different conditions, it may malfunction or become less efficient.

	COOL Mode	HEAT mode	DRY mode
Indoor Temperature	17°C-32°C (62°F-90°F)	0°C-30°C (32°F-86°F)	17°C-32°C (62°F-90°F)
Outdoor Temperature	18°C-43°C (64°F-109°F)	-7°C-24°C (19°F-75°F)	18°C-43°C (64°F-109°F)
	-7°C-43°C (19°F-109°F) (low temperature cooling models)		18°C-52°C (64°F-126°F) (For special tropical models)
	18°C-52°C (64°F-126°F) (For special tropical models)		

Indoor Unit Parts And Major Functions

Features

Default Setting

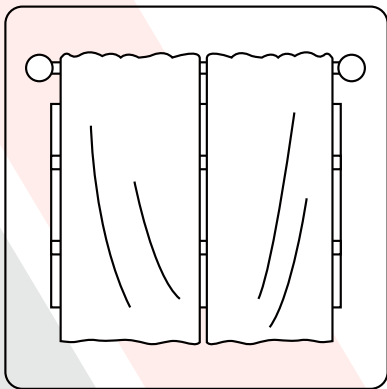
When the air conditioner restarts after a power failure, it will default to the factory settings (AUTO mode, AUTO fan, 24°C (76°F)). This may cause inconsistencies on the remote control and unit panel. Use your remote control to update the status.

Louver Angle Memory Function (some models)

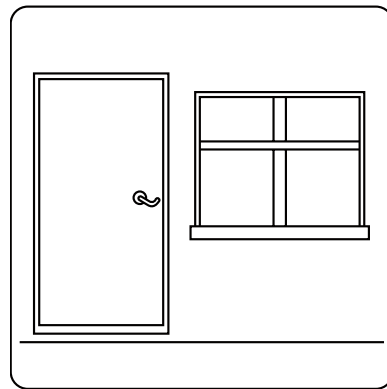
Some models are designed with a louver angle memory function. When the unit restarts after a power failure, the angle of the horizontal louvers will automatically return to the previous position. The angle of the horizontal louver should not be set too small as condensation may form and drip into the machine. To reset the louver, press the manual button, which will reset the horizontal louver settings.

Energy Saving Tips

- **DO NOT** set the unit to excessive temperature levels.
- While cooling, close the curtains to avoid direct sunlight.
- Doors and windows should be kept closed to keep cool or warm air in the room.
- **DO NOT** place objects near the air inlet and outlet of the unit.
- Set a timer and use the built-in SLEEP/ECONOMY mode if applicable.
- If you don't plan to use the unit for a long time, remove the batteries from the remote control.
- Clean the air filter every two weeks.
- Adjust louvers properly and avoid direct airflow.



Closing curtains during heating also helps keep the heat in



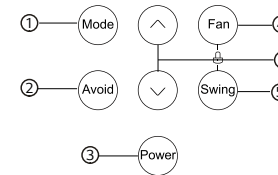
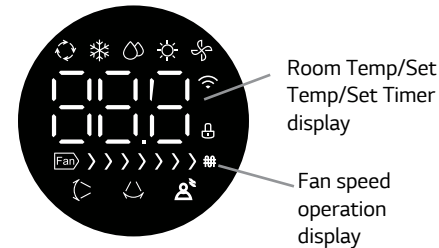
Doors and windows should be kept closed

Auto-Restart (some models)

In case of power failure, the system will immediately stop. To restart the unit, press the ON/OFF button on the remote control. If the system has an auto restart function, the unit will restart using the same settings.

Manual Operations

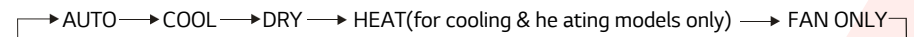
The display panel on the indoor unit can be used to operate the unit in cases when the remote control has been misplaced or is out of batteries.



- ⊞ Auto operation
- ❄️ Cooling operation
- 💧 Dry operation
- ☀️ Heating operation
- 🌀 Fan operation
- ↕️ Vertical airflow
- ↔️ Horizontal airflow
- 🚫 Avoid direct
- 📶 When wireless control feature is activated (some models)
- ⚡ Electric heating function (some models)
- 🔒 Lock operation

Operation buttons

- ① MODE button: Press this button to select the appropriate operating mode. Each time the button is pressed, the operation mode is shifted in the direction of the arrow:



Mode indicators light up to signal the following mode settings.

Auto: Automatically chooses the operation mode by sensing the difference between the actual ambient room temperature and the set temperature on the remote controller. The fan speed is automatically controlled.

Cool: Enables you to enjoy the cooling effect at your preferred setting temperature (Temperature range: 17°C~30°C).

Dry: Enables you to set the desired temperature at medium fan speed which provides you with the dehumidified surroundings (Temperature range: 17°C~30°C). In Dry mode, you cannot select Fan speed and Sleep mode.

Heat: Permits heating operation (For cooling & heating models only, temperature setting range: 17°C~30°C).

Fan only: Permits fan operation without cooling or heating. In this case, however, the setting temperature is not displayed and you cannot adjust the set temperature.

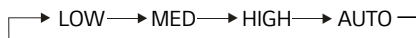
Manual Operations

② Avoid button:

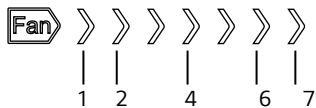
1. In any mode of boot, press the button to turn on the function.
2. Press "Power", "Swing", "Avoid" close this function.

③ Power button: Operation starts when this button is pressed and stops when you press the button again.

④ Fan button: This button is used to select the desired fan speed. Each time you push the button, the fan speed is shifted in the following sequence:



Fan speed display:



Select LOW fan speed and zones 1~2 will illuminate.

Select MED fan speed and zones 1~4 will illuminate.

Select HIGH fan speed and zones 1~6 will illuminate.

Select AUTO fan speed and zones 1~7 and "AU" will illuminate.

Note: When using the remote control to choose strong wind, wind speed 1~7 will illuminate.

⑤ Swing button:

1. This button is used to set the horizontal and vertical airflow.
2. Each time the airflow direction button is pressed, the settings change as follows: Set horizontal airflow→Cancel horizontal airflow→Set vertical airflow→Cancel vertical airflow→Set simultaneous horizontal and vertical airflow→Cancel simultaneous horizontal and vertical airflow→Set horizontal airflow.

WARNING: Manually moving the horizontal and vertical airflow direction louvers could damage the air conditioner.

⑥ ⬆️⬇️ button

1. Under the Test Running mode, press "⬆️" "⬇️" to be able to check view indoor, outdoor, fault code.
2. When a failure occurs, E0, E1, E3, E4, E5, Eb, EC, E10, F1, F2, F5, P10, P11, P12, P15, P13, P14, P9.
3. In other states, press the "⬆️" and "⬇️" to adjust the temperature within a range of 17°C~30°C. To cut to 17 °C again when press downward adjustments set temperature no longer change; To rise to press adjusted upward again when 30 °C set temperature no longer change. When setting the temperature, the key cannot adjust the temperature quickly, it can only be achieved by pressing up and down.

Manual Operations

LOCK FEATURE: The lock feature is activated by pressing down and holding the fan speed and swing buttons simultaneously for a period of one second.

This feature is available both when the unit is turned on or off. The first time these buttons are pressed, the unit locks and all other buttons on the unit are disabled (apart from the unlock button). Please note that the remote control can still be used when the unit is locked. Press the button of the panel and the lock icon will blink for 5 seconds at 1HZ/S. When these buttons are pressed again the unit is unlocked.

Commissioning function: Press "Mode" and "Swing" for one second to open the test run, the key is valid in any mode when it is turned on. On the first time, press this button to enter the test run state. Run the test run for 30 minutes, press this button again, turn off, and exit the test run condition.

The mode key, the wind speed key and the auxiliary function key are not valid, and all other keys are valid (including the key). Press up and down to select the display room (T1), outdoor (outdoor temperature), and protection code, and show "nA" when there is no failure or protection.

NOTE:

Trial operation conditions showed that temperature of T1, if the temperature is less than -15 °C, display temperature of -15 °C.

Trial operation conditions showed that T4 temperature, if the temperature is less than -19 °C, show the temperature for -19 °C.

Trial operation condition, T1, T4 showed highest temperature is 50 °C. Under test mode, sensor fault can be detected.

Wireless control FEATURE (some models):

1. The Wireless control indicator appears when the router has already connected.
2. The Wireless control indicator disappears when the router is not connected.
3. The Wireless control indicator disappears when the Wireless module can't be connected during ten minutes.

NOTE: The Wireless control indicator displays for 15 seconds for the first connection.

AP network configuration:

Press the digital display button on the remote controller seven times or more, the Wireless module will enter into AP mode. A long beep will be heard and the Wireless control indicator will flash quickly which means the user can do the next configuration.

Between wireless control network function and wire controller function, you can only choose one.

Electric heating function (some models):

When the air conditioner switches to heating mode, the electrical heating feature is activated automatically. It can be stopped or started again by remote controller.

NOTE: This function can only be activated by remote controller.

Safety Precautions

- Contact an authorized service technician for repair or maintenance. Improper repair and maintenance may cause water leakage, electrical shock, or fire, and may void your warranty.
- **DO NOT** substitute a blown fuse with a fuse that has a higher or lower amperage rating, as this may damage the circuit or cause an electrical fire.
- Make sure the drain hose is set up according to the instructions. Failure to do so could cause leakage and result in personal property damage, fire and electric shock.
- Make sure that all wires are connected properly. Failure to connect wires according to instructions can result in electrical shock or fire.

Unit Maintenance

BEFORE CLEANING OR MAINTENANCE

- Always turn off your air conditioning system and disconnect its power supply before cleaning or maintenance.
- **DO NOT** use chemicals or chemically treated cloths to clean the unit.
- **DO NOT** use benzene, paint thinner, polishing powder or other solvents to clean the unit. They can cause the plastic surface to crack or deform.
- **DO NOT** wash the unit under running water. Doing so causes electrical danger.
- **DO NOT** use water hotter than 40°C (104°F) to clean the front panel. This can cause the panel to deform or become discolored.
- Clean the unit using a damp, lint-free cloth and neutral detergent. Dry the unit with a dry, lint-free cloth.

How To Clean The Air Filter

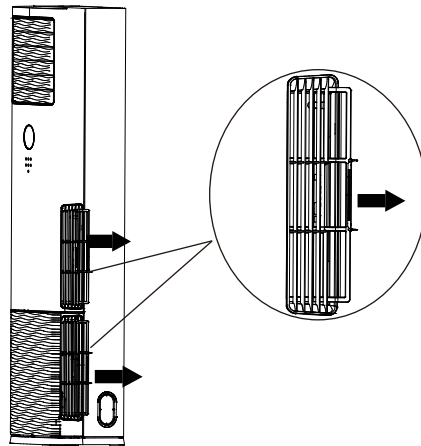
The filter prevents dust and other particles from entering the indoor unit. Dust buildup can reduce the efficiency of the air conditioner. For optimum efficiency, clean the air filter every two weeks or more frequently if you live in a dusty area. Replace the filter with a new one if it's heavily clogged and cannot be cleaned.

WARNING: DO NOT REMOVE OR CLEAN THE FILTER BY YOURSELF

Removing and cleaning the filter can be dangerous. Removal and maintenance must be performed by a certified technician.

NOTE: In households with animals, you will have to periodically wipe down the grille to prevent animal hair blocking airflow.

Cleaning the dust filter located at the bottom of the unit:



Seize the left and right at the bottom of the strainer mesh put his hand to pull, remove the strainer mesh. Place the strainer mesh clean, dry in the shade. Packed strainer mesh.

4. Remove the air filter.
5. Clean the air filter by vacuuming the surface or washing it in warm water with mild detergent.

- A. If using a vacuum cleaner, the inlet side should face the vacuum.

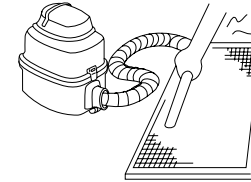


Fig. 4.1

- B. If using water, the inlet side should face down and away from the water stream.

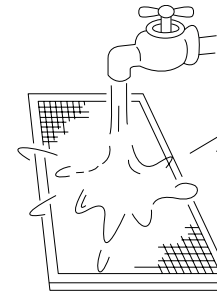


Fig. 4.2

6. Rinse the filter with clean water and allow it to air-dry. **DO NOT** let the filter dry in direct sunlight.
7. Reinstall the filter.

Repairing Refrigerant Leaks

WARNING

- If the refrigerant leaks, turn off the air conditioner and any combustible heating devices, ventilate the room and call your dealer immediately. Refrigerant is both toxic and flammable. **DO NOT** use the air conditioner until the leak is repaired.
- When the air conditioner is installed in a small room, measures must be taken to prevent the refrigerant concentration from exceeding the safety limit in the event of refrigerant leakage. Concentrated refrigerant causes a severe health and safety threat.

Refrigerant Leak Detection System (some models)

- In the event of a refrigerant leak, the LCD screen will display "EC" and the LED indicator light will flash.

Preparation For Periods Of Non-Use

Maintenance after Extended Non-Use

1. Remove any obstacles blocking the vents of both the indoor and outdoor units.
2. Clean the air filter and the front grille of the indoor unit. Reinstall the clean, dry air filter in its original position.
3. Turn on the main power switch at least 12 hours prior to operating the unit.

Storing the Unit While Not In Use

1. Run the appliance on FAN mode for 12 hours in a warm room to dry it and prevent mold.
2. Turn off the appliance and unplug it.
3. Clean the air filter according to the instructions in the previous section. Reinstall the clean, dry filter before storing.
4. Remove the batteries from the remote control.

Troubleshooting

⚠ CAUTIONS

If one of the following conditions occurs, switch off the power supply immediately and contact your dealer for further assistance.

- The operation light continues to flash rapidly after the unit has been restarted.
- The remote control buttons do not work.
- The unit continually trips fuses or circuit breakers.
- A foreign object or water enters the air conditioner.
- Other abnormal situations.

Common Problems

The following symptoms are not a malfunction and in most situations will not require repairs.

Problem	Possible Causes
Unit does not turn on when pressing ON/OFF button	The unit has a 3-minute protection feature that prevents the unit from overloading. The unit cannot be restarted within three minutes of being turned off.
	Cooling and Heating Models: If the Operation light and PRE-DEF (Pre-heating/Defrost) indicators are lit up, the outdoor temperature is too cold and the unit's anti-cold wind is activated in order to defrost the unit.
	In Cooling-only Models: If the "Fan Only" indicator is lit up, the outdoor temperature is too cold and the unit's anti-freeze protection is activated in order to defrost the unit.
The unit changes from COOL mode to FAN mode	The unit changes its setting to prevent frost from forming on the unit. Once the temperature increases, the unit will start operating again.
	The set temperature has been reached, at which point the unit turns off the compressor. The unit will resume operating when the temperature fluctuates again.
The indoor unit emits white mist	In humid regions, a large temperature difference between the room's air and the conditioned air can cause white mist.
Both the indoor and outdoor units emit white mist	When the unit restarts in HEAT mode after defrosting, white mist may be emitted due to moisture generated from the defrosting process.
The indoor unit makes noises	A squeaking sound is heard when the system is OFF or in COOL mode. The noise is also heard when the drain pump (optional) is in operation.
	A squeaking sound may occur after running the unit in HEAT mode due to expansion and contraction of the unit's plastic parts.

Troubleshooting

Problem	Possible Causes
Both the indoor unit and outdoor unit make noises	A low hissing sound may occur during operation. This is normal and is caused by refrigerant gas flowing through both the indoor and outdoor units.
	A low hissing sound may be heard when the system starts, has just stopped running or is defrosting. This noise is normal and is caused by the refrigerant gas stopping or changing direction.
The outdoor unit makes noises	The unit will make different sounds based on its current operating mode.
Dust is emitted from either the indoor or outdoor unit	The unit may accumulate dust during extended periods of non-use, which will be emitted when the unit is turned on. This can be mitigated by covering the unit during long periods of inactivity.
The unit emits a bad odor	The unit may absorb odors from the environment (such as furniture, cooking, cigarettes, etc.) which will be emitted during operations.
	The unit's filters have become moldy and should be cleaned.
The fan of the outdoor unit does not operate	During operation, the fan speed is controlled to optimize product operation.

Troubleshooting Tips

When troubles occur, please check the following points before contacting a repair company.

Problem	Possible Causes	Solution
The unit is not working	Power failure	Wait for the power to be restored
	The power switch is off	Turn on the power
	The fuse is burned out	Replace the fuse
	Remote control batteries are dead	Replace the remote control batteries
	The unit's 3-minute protection has been activated	Wait three minutes after restarting the unit
Poor cooling performance	Temperature setting may be higher than the ambient room temperature	Lower the temperature setting
	The heat exchanger on the indoor or outdoor unit is dirty	Clean the affected heat exchanger
	The air filter is dirty	Remove the filter and clean it according to instructions
	The air inlet or outlet of either unit is blocked	Turn the unit off, remove the obstruction and turn it back on
	Doors and windows are open	Make sure that all doors and windows are closed while operating the unit
	Excessive heat is generated by sunlight	Close windows and curtains during periods of high heat or bright sunshine
	Low refrigerant due to leak or long-term use	Check for leaks, re-seal if necessary and top off refrigerant

Troubleshooting

Problem	Possible Causes	Solution
The unit starts and stops frequently	There's too much or too little refrigerant in the system	Check for leaks and recharge the system with refrigerant
	There is air, incompressible gas or foreign material in the refrigeration system.	Evacuate and recharge the system with refrigerant
	System circuit is blocked	Determine which circuit is blocked and replace the malfunctioning piece of equipment
	The compressor is broken	Replace the compressor
	The voltage is too high or too low	Install a manostat to regulate the voltage
Poor heating performance	The outdoor temperature is lower than 7°C (44.5°F)	Check for leaks and recharge the system with refrigerant
	Cold air is entering through doors and windows	Make sure that all doors and windows are closed during use
	Low refrigerant due to leak or long-term use	Check for leaks, re-seal if necessary and top off refrigerant

Troubleshooting

Error Codes



Number	Cause	Error Code
1	Indoor EEPROM error	E0
2	Indoor and outdoor communication failure	E1
3	Dc fan stall failure	E3
4	T1sensor error	E4
5	T2sensor error	E5
6	Display board and main control communication failure	E6
7	Refrigerant leakage fault	EC
8	The compressor low pressure failure	E10
9	T4sensor error	f1
10	T3sensor error	f2
11	Power failure or lack of phase phase sequence reverse fault	f5
12	Heating the cold wind off the indoor fan	P9
13	Compressor low voltage protection	P10
14	Compressor high pressure protection	P11
15	Compressor current overload protection	P12
16	The indoor evaporator protection closed compressor (high or low temperatures)	p13
17	Outdoor condenser heat protection compressor	P14
18	Outdoor high exhaust temperature closed compressor	p15
19	Frost	dF

European Disposal Guidelines

Users in European Countries may be required to properly dispose of this unit. This appliance contains refrigerant and other potentially hazardous materials. When disposing of this appliance, the law requires special collection and treatment. **DO NOT** dispose of this product as household waste or unsorted municipal waste.

When disposing of this appliance, you have the following options:

- Dispose of the appliance at designated municipal electronic waste collection facility.
- When buying a new appliance, the retailer will take back the old appliance free of charge.
- The manufacturer will also take back the old appliance free of charge.
- Sell the appliance to certified scrap metal dealers.

NOTE: Disposing of this appliance in the forest or other natural surroundings endangers your health and is bad for the environment. Hazardous substances may leak into the ground water and enter the food chain.



يُوجَّه المستخدمون في الدول الأوروبية إلى التخلص من هذه الوحدة بصورة صحيحة. يحتوي هذا الجهاز على وسيط تبريد ومواد أخرى ذات خطورة محتملة؛ يفرض القانون إجراءات خاصة للجمع والمعالجة عند التخلص من هذا الجهاز؛ يُحظر التخلص من هذا الجهاز مع النفايات المنزلية أو النفايات غير المصنفة من قبل البلديات المحلية.

ينبغي عند التخلص من هذا الجهاز اتباع أحد الخيارات التالية:

- التخلص من الجهاز في منشأة مخصصة لجمع النفايات الإلكترونية.
- عند شراء جهاز جديد سيستعيد بائع التجزئة الجهاز القديم مجاناً.
- وستستعيد الشركة المصنعة الجهاز القديم مجاناً.
- اعرض الجهاز للبيع على تجار الخردة المعتمدة المعتمدين.

ملاحظة: إن التخلص من الجهاز في الغابات أو المناطق الطبيعية المحيطة يُعرض صحتك للخطر ويضر بالبيئة، فقد تتسرب المواد الخطرة إلى المياه الجوفية وتدخل في سلسلة الغذاء.



استكشاف الأعطال وإصلاحها

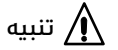
رموز الخطأ



رمز الخطأ	السبب	الحل
E0	خطأ في ذاكرة القراءة الداخلية فقط القابلة للبرمجة والمسح كهربائياً	1
E1	فشل التوصيل الداخلي والخارجي	2
E3	فشل توقف المروحة التي تعمل بالتيار المباشر	3
E4	خطأ في مستشعر T1	4
E5	خطأ في مستشعر T2	5
E6	فشل في لوحة العرض وتوصيل لوحة التحكم الرئيسية	6
EC	خطأ في تسريب وسيط التبريد	7
E10	عطل انخفاض ضغط الضاغط	8
f1	خطأ في مستشعر T4	9
f2	خطأ في مستشعر T3	10
f5	انقطاع التيار الكهربائي أو خطأ فقدان انعكاس تعاقب الأطوار	11
P9	تدفئة الهواء البارد قبالة المروحة الداخلية	12
P10	الحماية ضد انخفاض الجهد الكهربائي للضاغط	13
P11	الحماية ضد ارتفاع الضغط للضاغط	14
P12	الحماية من حمل التيار الزائد للضاغط	15
p13	ضاغط مغلق لحماية المبخر الداخلي (ارتفاع أو انخفاض درجات الحرارة)	16
P14	مكثف خارجي لتوفير الحماية الحرارية للضاغط	17
p15	ارتفاع درجة حرارة العادم الخارجي التي تتسبب في إغلاق الضاغط	18
oF	الثلج	19

استكشاف الأعطال وإصلاحها

المشكلة	الأسباب المحتملة	الحل
عمل الوحدة وتوقفها كثيراً	يوجد مقدار كثير جداً أو قليل جداً من وسيط التبريد في النظام	تحقق من التسريبات وأعد شحن النظام بوسيط التبريد
	يوجد هواء أو غاز غير قابل للضغط أو مادة غريبة في نظام التبريد.	قم بتفريغ النظام وإعادة شحنه بوسيط التبريد
	دائرة النظام معاقة	حدد الدائرة الكهربائية التي يتم إعاقتها واستبدل الجزء التالف بالجهاز
ضعف مستوى أداء التدفئة	الضاغط مكسور	استبدل الضاغط
	الجهد الكهربائي مرتفع للغاية أو منخفض للغاية	ركب مثبت ضغط لتنظيم الجهد الكهربائي
	درجة الحرارة الخارجية أقل من 7 درجات مئوية (44.5 درجات فهرنهايت)	تحقق من التسريبات وأعد شحن النظام بوسيط التبريد
	الهواء البارد يدخل من خلال الأبواب والنوافذ	تأكد من إغلاق جميع الأبواب والنوافذ أثناء الاستخدام
	انخفاض وسيط التبريد بسبب التسريب أو الاستخدام الطويل المدى	تحقق من التسريبات وأعد إحكامها إذا تطلب الأمر وأملا وسيط التبريد إلى أعلى حد



تنبيه

في حال حدوث أي ظرف من الظروف التالية، افصل الجهاز عن مصدر الطاقة الكهربائية على الفور واتصل بمركز الخدمة المعتمد للحصول على المساعدة اللازمة.

- استمرار وميض مصباح التشغيل بسرعة بعد إعادة بدء تشغيل الوحدة.
- عدم عمل أزرار التحكم عن بعد.
- فصل الوحدة للمصهرات أو قواطع الدائرة بصفة مستمرة.
- دخول جسم غريب أو ماء إلى الجهاز.
- ظروف تشغيل أخرى غير طبيعية.

المشكلات الشائعة

لا تُعد العلامات التالية عطلاً أو خللاً وظيفياً ولن تتطلب إصلاحات في معظم الأحوال.

المشكلة	الأسباب المحتملة
صدور ضوضاء عن الوحدات الداخلية والخارجية	قد يصدر صوت هسهسة منخفض أثناء التشغيل. وهذا أمر طبيعي ويحدث بسبب تدفق غاز التبريد من خلال الوحدات الداخلية والخارجية.
صدور ضوضاء عن الوحدة الخارجية	يمكن سماع صوت هسهسة منخفض عند بدء تشغيل النظام، أو قد يتوقف عن التشغيل أو يعمل على إذابة الثلج. وهذه الضوضاء طبيعية وتحدث بسبب توقف غاز التبريد أو تغيير اتجاهه.
صدور ضوضاء عن الوحدة الداخلية أو الخارجية	ستصدر الوحدة أصواتاً مختلفة حسب وضع التشغيل الحالي لها.
خروج الغبار من الوحدة الداخلية أو الوحدة الخارجية	قد يتراكم الغبار على الوحدة أثناء فترات عدم الاستخدام الممتدة، حيث يخرج الغبار عند تشغيل الوحدة. ويمكن التخفيف من هذا الغبار عن طريق تغطية الوحدة أثناء فترات التعطل الطويلة.
خروج رائحة كريهة من الوحدة	قد تمتص الوحدة الروائح المنبعثة من البيئة (مثل: الأثاث، والطهي، والسجائر، وغير ذلك) والتي ستنبعث أثناء عمليات التشغيل.
عدم عمل المروحة الخاصة بالوحدة الخارجية	قد تصبح فلتر الوحدة متعفنة ومن ثم يجب تنظيفها.
	يتم التحكم في سرعة المروحة أثناء التشغيل لتحسين تشغيل الجهاز.

نصائح لاستكشاف الأعطال وإصلاحها

عند حدوث أعطال يرجى فحص النقاط التالية قبل الاتصال بشركة إصلاح.

المشكلة	الأسباب المحتملة	الحل
انقطاع التيار الكهربائي	انتظر حتى عودة التيار الكهربائي	
مفتاح الطاقة مغلق	شغل مفتاح الطاقة	
المصهر محترق	استبدل المصهر	
عدم عمل الوحدة	نفذ شحن بطاريات وحدة التحكم عن بعد	استبدل بطاريات وحدة التحكم عن بعد
	لقد تم تنشيط خاصية الحماية لمدة 3 دقائق بالوحدة	انتظر لمدة ثلاث دقائق بعد إعادة تشغيل الوحدة
	قد يكون إعداد درجة الحرارة أعلى من درجة حرارة الغرفة المحيطة	قلل إعداد درجة الحرارة
	المبادل الحراري الموجود على الوحدة الداخلية أو الخارجية متسخ	نظف المبادل الحراري المتضرر قم بإزالة الفلتر ونظفه وفقاً للتعليمات
	فلتر الهواء متسخ	قم بإزالة الفلتر ونظفه وفقاً للتعليمات
سوء مستوى التبريد	مدخل أو مخرج الهواء بأبي من الوحدات مسدود	أوقف تشغيل الوحدة، وأزل أي معوقات وقم بتشغيلها مرة ثانية
	الأبواب والنوافذ مفتوحة	تأكد من إغلاق جميع الأبواب والنوافذ أثناء تشغيل الوحدة
	وجود حرارة زائدة ناتجة عن أشعة الشمس	أغلق النوافذ والستائر أثناء فترات ارتفاع الحرارة أو شروق الشمس الساطع
	انخفاض وسيط التبريد بسبب التسريب أو الاستخدام الطويل المدى	تحقق من التسريبات وأعد إحكامها إذا تطلب الأمر وأملا وسيط التبريد إلى أعلى حد

المشكلة

الأسباب المحتملة

عدم عمل الوحدة عند الضغط على زر ON/OFF (التشغيل/ إيقاف التشغيل)	تتميز الوحدة بخاصية حماية لمدة 3 دقائق تمنع الحمل الزائد للوحدة؛ ولذا لا يمكن إعادة تشغيل الوحدة في غضون ثلاث دقائق من إيقاف تشغيلها.
الضغط على زر ON/OFF (التشغيل/ إيقاف التشغيل)	في الموديلات التي تضم خاصية التبريد والتدفئة: في حالة إضاءة مصباح التشغيل ومؤشرات PRE-DEF (التدفئة المبكرة/ إذابة الثلج) تصبح درجة الحرارة الخارجية باردة جداً ويتم تنشيط الهواء المضاد للبرودة الخاص بالوحدة من أجل إذابة الثلج بالوحدة.
	في الموديلات التي تضم خاصية التبريد فقط: في حالة إضاءة مؤشر "Fan Only" (المروحة فقط)، تصبح درجة الحرارة الخارجية باردة جداً ويتم تنشيط خاصية الحماية ضد التجمد بالوحدة من أجل إذابة الثلج بالوحدة.
تغيير الوحدة من وضع "بارد" إلى وضع "المروحة"	تقوم الوحدة بتغيير إعدادها لمنع تكوّن الثلج على الوحدة. وبمجرد زيادة درجة الحرارة سيبدأ تشغيل الوحدة مرة ثانية.
	تم الوصول إلى درجة الحرارة المضبوطة، ومن ثم تقوم الوحدة بإيقاف تشغيل الضاغط. وستستأنف الوحدة عملية التشغيل عند تذبذب درجة الحرارة مرة ثانية.
انبعاث ضباب أبيض من الوحدة الداخلية	في المناطق الرطبة، قد يؤدي الفرق الكبير في درجات الحرارة بين هواء الغرفة والهواء البارد إلى انبعاث ضباب أبيض.
انبعاث ضباب أبيض من الوحدات الداخلية والخارجية	عند إعادة تشغيل الوحدة في وضع HEAT (التدفئة) بعد إذابة الثلج، قد ينبعث ضباب أبيض بسبب الرطوبة الناتجة عن إذابة الثلج.
صدور ضوضاء عن الوحدة الداخلية	بسمع صوت صرير عند إيقاف تشغيل النظام أو إذا كان النظام في وضع "تبريد". كما يسمع ضوضاء أيضاً عندما تكون مضخة التصريف (اختيارية) في وضع التشغيل.
	قد يحدث صوت صرير بعد تشغيل الوحدة في وضع HEAT (التدفئة) بسبب تمدد الأجزاء البلاستيكية للوحدة وانكماشها.

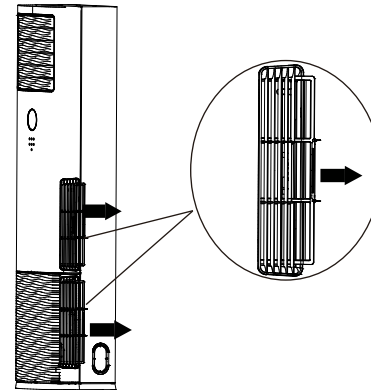
احتياطات السلامة

- اتصل بمركز الخدمة المعتمد لإجراء الإصلاح أو الصيانة. قد يؤدي سوء الإصلاح أو الصيانة إلى تسريب المياه أو حدوث صدمة كهربائية أو اندلاع حريق، وربما إبطال الضمان الخاص بك.
- لا تستبدل بالمصهر المحترق مصهراً يحتوي على تصنيف أعلى أو أقل لشدة التيار المقبولة بالأمبير، فقد يؤدي ذلك إلى تلف الدائرة الكهربائية أو اندلاع حريق كهربائي.
- تأكد من وضع خرطوم الصرف لأعلى وفقاً للتعليمات. قد يؤدي عدم القيام بذلك إلى حدوث التسريب وهو ما يتسبب في إلحاق ضرر بالململكات الشخصية واندلاع حريق وحدوث صدمة كهربائية.
- تأكد من توصيل جميع الأسلاك بشكل سليم. قد يؤدي عدم توصيل الأسلاك وفقاً للتعليمات إلى حدوث صدمة كهربائية أو اندلاع حريق.

صيانة الوحدة

⚠ قبل التنظيف أو الصيانة

- احرص دائماً على إيقاف تشغيل الجهاز وافصله عن مصدر الطاقة الكهربائية.
- قبل التنظيف أو الصيانة.
- لا تستخدم المواد الكيميائية ولا قطع القماش المعالجة كيميائياً لتنظيف الوحدة.
- لا تستخدم البنزين، ولا مخفف الطلاء، ولا مسحوق الصقل، ولا المذيبات الأخرى لتنظيف الوحدة، فقد يتسبب ذلك في كسر السطح البلاستيكي أو تلفه.
- لا تغسل الوحدة تحت مياه جارئة، فقد يتسبب ذلك في حدوث مخاطر كهربائية.
- لا تستخدم ماءً تزيد حرارته عن 40 درجة مئوية (104 فهرنهايت) لتنظيف اللوحة الأمامية، فقد يؤدي ذلك إلى تلف اللوحة أو تغيير لونها.
- قم بتنظيف قطعة قماش رطبة وخالية من النسالة ومنظف متعادل. جفف الوحدة بقطعة قماش جافة وخالية من النسالة.



أمسك بالجزئين الأيسر والأيمن الموجودين أسفل المصفاة وضع يديك لسحبها و قم بإزالة المصفاة. ضع المصفاة النظيفة لتجف في الظل. مصفاة معبأة.

كيفية تنظيف فلتر الهواء

يمنع الفلتر الغبار والجسيمات الأخرى من الدخول إلى الوحدة الداخلية. قد يؤدي تراكم الغبار إلى إضعاف كفاءة الجهاز. وللحصول على أفضل كفاءة، قم بتنظيف فلتر الهواء كل أسبوعين أو أكثر إذا كنت تعيش في منطقة مليئة بالغبار. استبدل الفلتر بأخر جديد إذا كان مسدوداً تماماً ولا يمكن تنظيفه.

⚠ تحذير: لا تقم بإزالة الفلتر ولا تنظفه بنفسك

قد تشكل عملية إزالة الفلتر وتنظيفه خطورة كبيرة. ولذا يتعين إجراء الإزالة والصيانة من قبل مركز الخدمة أو فني معتمد.

ملاحظة: في المنازل التي يوجد بها حيوانات، سيتعين عليك مسح الشبكة بصفة دورية لمنع شعر الحيوانات من حجب تدفق الهواء.

تنظيف فلتر الغبار الموجود في أسفل الوحدة:

إصلاح تسريبات وسيط التبريد

⚠ تحذير

- في حال تسريب وسيط التبريد، أوقف تشغيل الوحدة وأي أجهزة تدفئة قابلة للاحتراق، و قم بتهوئة الغرفة واتصل بمركز الخدمة على الفور. يتسم وسيط التبريد بالسمية وقابلة للاشتعال. لا تستخدم الجهاز لحين إصلاح التسريب.
- عند تركيب الجهاز في غرفة صغيرة، يتعين أخذ المقاييس لمنع تجاوز تركيز وسيط التبريد للحد الآمن في حالة تسريب وسيط التبريد. يتسبب وسيط التبريد المركز في حدوث تهديد خطير للصحة والسلامة.

نظام الكشف عن تسريب وسيط التبريد (بعض الموديلات)

- في حال تسرب وسيط التبريد، ستعرض الشاشة "EC"، وسيومض مصباح مؤشر LED.

التحضير لفترات عدم استخدام الصيانة بعد عدم الاستخدام لفترة طويلة

- 1- قم بإزالة أي معوقات تسد الفتحات الخاصة بالوحدات الداخلية والخارجية.
- 2- قم بتنظيف فلتر الهواء والشبكة الأمامية للوحدة الداخلية. أعد تركيب فلتر الهواء النظيف والجاف في مكانه الأصلي.
- 3- قم بتشغيل مفتاح الطاقة الرئيسي قبل 12 ساعة على الأقل من تشغيل الوحدة.

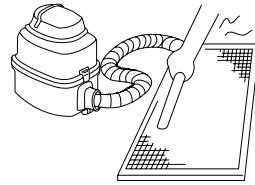
تخزين الوحدة في حال عدم الاستخدام

- 1- قم بتشغيل الجهاز على وضع FAN (المروحة) لمدة 12 ساعة في غرفة دافئة لتجفيفه ومنع تراكم العفن.
- 2- أوقف تشغيل الجهاز وافصله.
- 3- نظف فلتر الهواء وفقاً للتعليمات الواردة في القسم السابق. أعد تركيب الفلتر النظيف والجاف قبل تخزينه.
- 4- قم بإخراج البطاريات من وحدة التحكم عن بعد.

4- قم بإزالة فلتر الهواء.

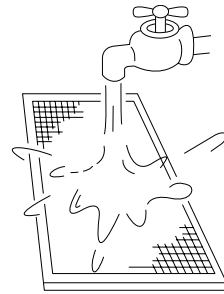
5- قم بتنظيف فلتر الهواء عن طريق تنظيف السطح بالمكنسة أو غسله في ماء دافئ بمنظف معتدل.

أ) في حال استخدام مكنسة كهربائية، يجب أن يكون جانب الإدخال مواجهاً للمكنسة



الشكل 1.4

أ) وفي حال استخدام مياه، يجب أن يكون جانب الإدخال متجهاً لأسفل وبعيداً عن تيار الماء



الشكل 2.4

- 6- نظف الفلتر بماء نظيف واتركه ليحجف في الهواء. لا تقم بتجفيف الفلتر في أشعة الشمس المباشرة.
- 7- أعد تركيب الفلتر

② Avoid (تجنب):

1- في أي وضع من أوضاع التشغيل، اضغط على الزر لتشغيل الوظيفة.

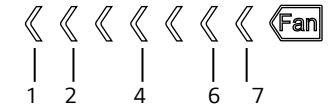
2- اضغط على (Power) (Swing) (Avoid) لإغلاق هذه الوظيفة.

③ Power (الطاقة): يتم تشغيل الجهاز عند الضغط على هذا الزر ويتم إيقاف التشغيل عند الضغط عليه مرة ثانية.

④ Fan (المروحة): يستخدم هذا الزر لتحديد سرعة المروحة المطلوبة. وفي كل مرة تقوم فيها بالضغط على هذا الزر، تتغير سرعة المروحة بالتسلسل التالي:

← منخفضة ← متوسطة ← مرتفعة ← تلقائي

شاشة عرض سرعة المروحة:



حدد سرعة المروحة (منخفضة) وستضيء المناطق 1-2.

حدد سرعة المروحة (متوسطة) وستضيء المناطق 1-4.

حدد سرعة المروحة (عالية) وستضيء المناطق 1-6.

حدد سرعة المروحة (تلقائي) وستضيء المناطق 1-7 وستضيء "AU".

ملاحظة: عند استخدام وحدة التحكم عن بعد لاختيار الرياح القوية، ستضيء سرعة الهواء 1-7.

⑤ زر التراجع "Swing":

1- يستخدم هذا الزر لضبط توجيه الهواء الأفقي والرأسي.

2- في كل مرة يتم فيها الضغط على زر توجيه الهواء، تتغير الإعدادات على النحو التالي: ضبط توجيه الهواء الأفقي — إلغاء توجيه الهواء الرأسي — ضبط توجيه الهواء الرأسي

— ضبط توجيه الهواء الأفقي والرأسي في آن واحد — إلغاء توجيه الهواء الأفقي والرأسي في آن واحد — ضبط توجيه الهواء الأفقي.

تحرير: قد يؤدي تحريك فتحات التهوية لتوجيه تدفق الهواء الأفقي والرأسي يدوياً إلى تلف الجهاز.

⑥ زر (Power) (Swing) (Avoid)

1. في وضع اختبار التشغيل، اضغط على "⊙" "⊕" "⊖" لتمكين من فحص رمز العطل الداخلي والخارجي.

2. عند حدوث عطل، E0, E1, E3, E4, E5, Eb, EC, E10, F1, F2, F5, P10, P11, P12, P15, P13, P14, P9، وفي الحالات الأخرى، اضغط على "⊙" "⊕" "⊖" لضبط درجة الحرارة ضمن نطاق 17 ~ 30 درجة مئوية، لتتنخفض إلى 16/17 درجة مئوية مرة ثانية، اضغط لأسفل حتى لم تتوقف درجة الحرارة المضبوطة عن التغير؛ ولزيادتها، اضغط لأعلى حتى تتوقف درجة الحرارة المضبوطة عند 30 درجة مئوية عن التغير.

3. اوعند إعداد درجة الحرارة، لا يمكن للمفتاح ضبط درجة الحرارة بسرعة؛ علماً بأنه لا يمكنه تحقيق ذلك إلا بالضغط الأعلى والأسفل.

خاصية القفل: يتم تفعيل خاصية القفل عن طريق الضغط مع الاستمرار على أزرار سرعة المروحة والتأرجح في آن واحد لمدة ثانية واحدة.

تتوفر هذه الخاصية عند تشغيل الوحدة أو إيقاف تشغيلها. وعند الضغط على هذه الأزرار لأول مرة، يتم قفل الوحدة كما يتم تعطيل جميع الأزرار الأخرى الموجودة على الوحدة (بالإضافة إلى زر إلغاء القفل). يرجى ملاحظة أن استخدام وحدة التحكم عن بعد عند قفل الوحدة لا يزال ممكناً. اضغط على الزر الخاص باللوحة وستومض أيقونة (القفل) لمدة 5 ثوانٍ عند معدل 1 هرتز/ثانية، وعند الضغط على هذه الأزرار مرة ثانية، يتم إلغاء قفل الوحدة.

وظيفة التشغيل التجريبي: اضغط على "⊙" (Mode) and "⊕" (Swing) لمدة ثانية واحدة لاختبار التشغيل، ويكون المفتاح صحيحاً في أي وضع عند تشغيله. وفي أول مرة، اضغط على هذا الزر لإدخال حالة اختبار التشغيل. قم باختبار التشغيل لمدة 30 دقيقة، ثم اضغط على هذا الزر مرة ثانية وأوقف اختبار التشغيل ومن ثم اخرج من حالة اختبار التشغيل.

لا يعد مفتاح الأوضاع ومفتاح سرعة الهواء ومفتاح الوظيفة الإضافية صحيحاً، في حين تُعد جميع المفاتيح الأخرى صحيحة (بما في ذلك هذا المفتاح). اضغط لأعلى ولأسفل لتحديد غرفة العرض (T1) ودرجة الحرارة الخارجية ورمز الحماية ومن ثم يظهر "nA" عندما لا يكون هناك عطل أو حماية.

ملاحظة:

أظهرت ظروف التشغيل التجريبي أن درجة الحرارة الخاصة بـ T1 تعرض 15- درجة مئوية، إذا كانت درجة الحرارة أقل من 15- درجة مئوية.

أظهرت ظروف التشغيل التجريبي أن درجة الحرارة الخاصة بـ T2 تعرض 19- درجة مئوية، إذا كانت درجة الحرارة أقل من 19- درجة مئوية.

أظهرت ظروف التشغيل التجريبي أعلى درجة حرارة T1 و T4 وهي 0- درجة مئوية.

يمكن اكتشاف عطل المستشعر في وضع الاختبار.

خاصية التحكم اللاسلكي (بعض الموديلات):

1- يظهر مؤشر التحكم اللاسلكي عند توصيل جهاز التوجيه بالفعل.

2- يختفي مؤشر التحكم اللاسلكي عند عدم توصيل جهاز التوجيه.

3- يختفي مؤشر التحكم اللاسلكي عندما يتعذر توصيل الوحدة اللاسلكية خلال عشر دقائق.

ملاحظة: يظهر مؤشر التحكم اللاسلكي لمدة 15 ثانية في أول توصيل.

تهيئة شبكة AP:

اضغط على زر شاشة العرض الرقمية الموجود على وحدة التحكم عن بعد سبع مرات أو أكثر، وستتحول الوحدة اللاسلكية إلى وضع AP وسيتم سماع صوت صفارة طويل وسيومض مؤشر التحكم اللاسلكي بسرعة، وهو ما يعني أنه يمكن للمستخدم إجراء الإعداد التالي.

يمكنك اختيار وظيفة واحدة من بين وظيفة شبكة التحكم اللاسلكية ووظيفة وحدة التحكم السلكية.

وظيفة التدفئة الكهربائية (متوفرة في بعض الموديلات):

عندما ضبط الجهاز على وضع التدفئة، يتم تفعيل خاصية التدفئة الكهربائية تلقائياً. ويمكن إيقافه أو تشغيله مرة ثانية من خلال وحدة التحكم عن بعد.

ملاحظة: لا يمكن تفعيل هذه الوظيفة إلا من خلال وحدة التحكم عن بعد فقط.

الخصائص

الإعداد الافتراضي

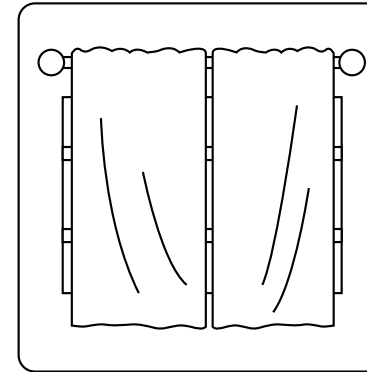
عند إعادة تشغيل الجهاز بعد انقطاع التيار الكهربائي سيتحول إلى إعدادات المصنع (وضع "التلقائي"، مروحة "تلقائية"، 24 درجة مئوية (76 درجة فهرنهايت)). وقد يتسبب ذلك في حدوث عدم تناسق على وحدة التحكم عن بعد ولوحة الوحدة؛ لذا استخدم وحدة التحكم عن بعد لتحديث الحالة.

خاصية الذاكرة لزواوية فتحة التهوية (بعض الموديلات)

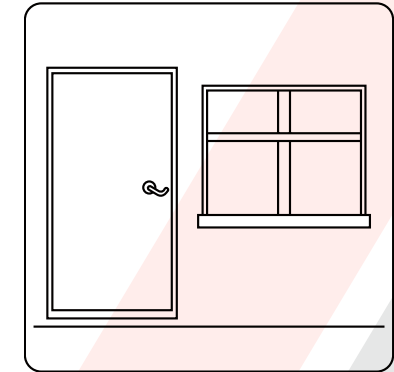
تم تصميم بعض الموديلات بخاصية ذاكرة لزواوية فتحة التهوية. عند إعادة تشغيل الوحدة بعد انقطاع التيار الكهربائي، ستتحول زاوية فتحات التهوية الأفقية تلقائياً إلى الوضع السابق، ويجب عدم ضبط الزاوية الخاصة بفتحة التهوية الأفقية على مقدار صغير جداً، فقد يتكون ناتج التكاثر ويتقطر في الجهاز، ولإعادة ضبط فتحة التهوية، اضغط على زر "manual" (يدوي)، الذي سيعيد ضبط الإعدادات الخاصة بفتحة التهوية الأفقية.

نصائح لتوفير الطاقة

- لا تضبط الوحدة على مستويات درجات حرارة زائدة عن الحد.
- أغلق الستائر لتجنب أشعة الشمس المباشرة أثناء التبريد.
- يتعين إبقاء الأبواب والنوافذ مغلقة لاحتفاظ بالهواء البارد أو الدافئ في الغرفة.
- لا تضع أجساماً بالقرب من مدخل ومخرج الهواء بالوحدة.
- اضبط المؤقت أو استخدم SLEEP/ECONOMY (وضع النوم/ الوضع الاقتصادي) المضمن إن أمكن.
- إذا لم تكن تنوي استخدام الوحدة لفترة طويلة فأخرج البطاريات من وحدة التحكم عن بعد.
- نظف فلتر الهواء كل أسبوعين.
- اضبط فتحات التهوية بشكل مناسب وتجنب تدفق الهواء المباشر.

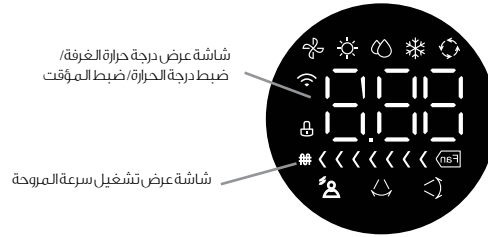


يساعد إغلاق الستائر أثناء التدفئة في الحفاظ على الحرارة داخل الغرفة



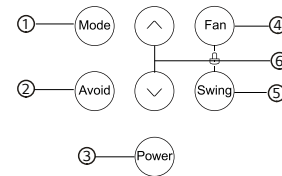
يجب إبقاء الأبواب والنوافذ مغلقة

يمكن استخدام لوحة العرض الموجودة على الوحدة الداخلية في تشغيل الوحدة في الحالات التي تكون فيها وحدة التحكم عن بعد في غير مكانها أو لا يوجد بها بطاريات.



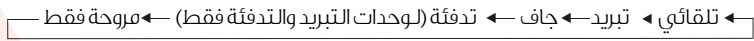
شاشة عرض سرعة المروحة

شاشة عرض درجة حرارة الغرفة/ ضبط درجة الحرارة/ ضبط المؤقت



أزرار التشغيل

1 زر MODE (الوضع): اضغط على هذا الزر لاختيار وضع التشغيل المناسب. في كل مرة يتم فيها الضغط على هذا الزر يتغير وضع التشغيل في اتجاه السهم:



تضيء مؤشرات الوضع للإشارة إلى إعدادات الأوضاع التالية.

تلقائي (Auto): يختار وضع التشغيل تلقائياً من خلال استشعار الفرق بين درجة حرارة الغرفة الفعلية وضبط درجة الحرارة على وحدة التحكم عن بعد. ويتم التحكم في سرعة المروحة تلقائياً.

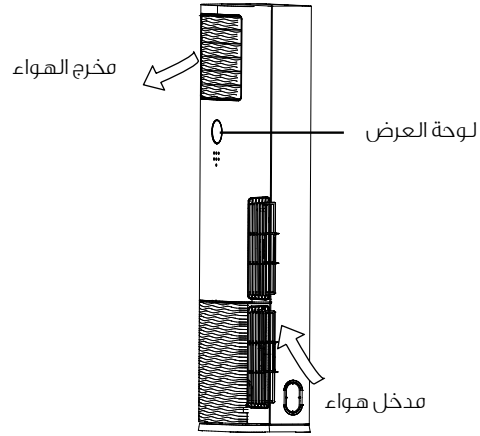
التبريد "Cool": يمكنك من الاستمتاع بتأثير التبريد عند إعداد درجة الحرارة التي تفضلها (نطاق درجة الحرارة: 17 درجة مئوية - 30 درجة مئوية).

جاف (Dry): يمكنك من ضبط درجة الحرارة المطلوبة عند سرعة المروحة المتوسطة والتي توفر لك أجواءً مريحة لا تحتوي على رطوبة (نطاق درجة الحرارة: 17 - 30 درجة مئوية). لا يمكنك في الوضع (الجاف) تحديد سرعة المروحة واختيار وضع (النوم).

تدفئة (Heat): يسمح بتشغيل التدفئة (للموديلات التي تتضمن خاصيتي التدفئة والتبريد، نطاق درجة الحرارة: 17 درجة مئوية - 30 درجة مئوية).

المروحة "Fan" فقط: يسمح بتشغيل المروحة بدون تبريد أو تدفئة. وفي هذه الحالة، لا يظهر إعداد درجة الحرارة كما لا يمكنك تعديل درجة الحرارة المحددة.

أجزاء الوحدة



الشكل 1-2

ظروف التشغيل

استخدم الجهاز ضمن درجات الحرارة التالية لضمان التشغيل الآمن والفعال. وفي حال استخدام مكيف الهواء في ظروف مختلفة، فقد يتعطل أو يصبح أقل كفاءة.

وضع جاف "DRY"	وضع التدفئة "HEAT"	وضع التبريد "COOL"	درجة الحرارة الداخلية
32 - 17 درجة مئوية (62 - 90 فهرنهايت)	30 - 0 درجة مئوية (32 - 86 فهرنهايت)	32 - 17 درجة مئوية (62 - 90 فهرنهايت)	درجة الحرارة الخارجية
43 - 18 درجة مئوية (64 - 109 فهرنهايت)	24 - 7 درجة مئوية (19 - 75 فهرنهايت)	43 - 18 درجة مئوية (64 - 109 فهرنهايت)	
52 - 18 درجة مئوية (64 - 126 فهرنهايت) (للموديلات الاستوائية الخاصة)		43 - 7 درجة مئوية (19 - 109 فهرنهايت) (للموديلات التبريد المنخفض الحرارة) 52 - 18 درجة مئوية (64 - 126 فهرنهايت) (للموديلات الاستوائية الخاصة)	



تنبيه

- 11- لا تشغيل الجهاز عند استخدام المبيدات الحشرية. فقد تكون المواد الكيميائية طبقة مع الوحدة وتعرض الأشخاص الذين يعانون فرط الحساسية للمواد الكيميائية للخطر.
- 12- لا تسمح للأطفال بالعبث في الجهاز.
- 13- لا تشغيل الجهاز في الغرف الرطبة (مثل دورات المياه وغرف غسل الملابس). فقد يتسبب ذلك في حدوث صدمة كهربائية وتلف المنتج.
- 14- يمكن استخدام هذا الجهاز بواسطة الأطفال الذين تبلغ أعمارهم 8 سنوات أو أكثر. وفيما يتعلق بالأشخاص ذوي القدرات البدنية أو الحسية أو الذهنية المحدودة، أو الأشخاص الذين تنقصهم الخبرة والمعرفة فيمكنهم أيضاً استخدام الجهاز إذا خضعوا لإشراف أو تم تزويدهم بالتعليمات المتعلقة باستخدام الجهاز بطريقة آمنة تمكنهم من فهم المخاطر المحتملة جراء الاستخدام الخاطئ. يجب عدم السماح للأطفال بالعبث بالجهاز، كما يجب عدم السماح للأطفال بإجراء أعمال التنظيف والصيانة دون إشراف.

نشكركم على شراء هذا النوع من أجهزة التبريد. سيزودكم هذا الدليل بالمعلومات الخاصة بكيفية تشغيل الجهاز وصيانته واستكشاف أعطاله وإصلاحها. إن اتباع التعليمات الواردة في هذا الدليل سيضمن تشغيل الجهاز بشكل سليم وإطالة عمره الافتراضي.

يرجى الانتباه إلى العلامات التالية:



تحذير



تنبيه



تحذير

قد يؤدي عدم مراعاة أحد التحذيرات إلى الوفاة، ومن ثم يتعين تركيب الجهاز بما يتوافق مع اللوائح الوطنية.

قد يؤدي عدم مراعاة أحد التنبيهات إلى وقوع إصابات أو تلف المعدات.

- 1- اطلب من أحد الموزعين المعتمدين تركيب جهاز التبريد هذا. قد يؤدي التركيب بشكل غير سليم إلى تسريب المياه أو حدوث صدمة كهربائية أو اندلاع حريق.
- 2- سيتم إلغاء الضمان إذا لم يتم تركيب الوحدة من قبل فنيين متخصصين.
- 3- أوقف تشغيل مصدر الإمداد بالطاقة واتصل بالموزع للحصول على التعليمات من أجل تجنب حدوث صدمة كهربائية أو اندلاع حريق أو حدوث إصابة. في حال حدوث موقف غير طبيعي (مثل: رائحة الاحتراق).
- 4- لا تعرض الوحدة الداخلية ولا وحدة التحكم عن بعد للبلل مطلقاً، فقد يؤدي ذلك إلى حدوث صدمة كهربائية أو اندلاع حريق.
- 5- لا تدخل أصابعك ولا عصا ولا أجساماً أخرى في مدخل الهواء أو مخرجه، فقد يؤدي ذلك إلى التعرض للإصابة؛ نظراً لأن المروحة قد تدور بسرعات عالية.
- 6- لا تستخدم أي بخاخات قابلة للاشتعال مثل بخاخات الشعر، أو طلاء الونزيش بالقرب من الوحدة، فقد يؤدي ذلك إلى اندلاع حريق أو الاحتراق.
- 7- يجب تخزين الجهاز لمنع تعرضه للعطل الميكانيكي.
- 8- يتعين مراعاة الامتثال للوائح الوطنية الخاصة بالغاز.
- 9- حافظ على فتحات التهوية خالية من الانسداد.
- 10- يجب أن يحصل أي شخص يشارك أو يبدأ في العمل على دائرة وسيط التبريد على شهادة سارية حالياً من إحدى هيئات التقييم المعتمدة في الصناعة، والتي تقر باختصاصه في التعامل مع وسائط التبريد على نحو آمن بما يتوافق مع مواصفات التقييم المعتمدة في الصناعة.

15- جهاز فصل يعمل على جميع الأقطاب ويحتوي على مسافة خلوص تبلغ ٣ ملم على الأقل في جميع الأقطاب، وتحمل لتسرب التيار الكهربائي يتجاوز ١ مللي أمبير، علماً بأن الجهاز الذي يعمل بالتيار المتبقي (RCD) يستوعب التيار المتبقي ويعمل على التيار الذي لا يتجاوز ٣٠ مللي أمبير فقط، ويجب التأسييس لنظام الفصل هذا عند تركيب الأسلاك الثابتة وبما يتفق مع قواعد تركيب الأسلاك الكهربائية.

⚠ تحذيرات التنظيف والصيانة

- 1- أوقف تشغيل الجهاز وانزع القابس قبل التنظيف. قد يؤدي عدم القيام بذلك إلى حدوث صدمة كهربائية.
- 2- لا تنظف الجهاز بكميات زائدة من الماء.
- 3- لا تنظف الجهاز بعوامل تنظيف قابلة للاحتراق. فقد تتسبب عوامل التنظيف القابلة للاحتراق في اندلاع حريق أو حدوث تشوه؛ لذا أوقف تشغيل الجهاز وانزع القابس قبل التنظيف. قد يؤدي عدم القيام بذلك إلى حدوث صدمة كهربائية.

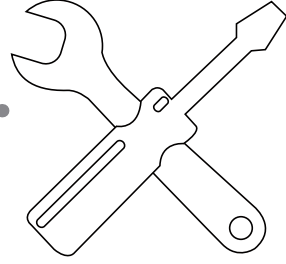
⚠ التحذيرات الكهربائية

- 1- لا تستخدم سوى سلك الكهرباء المحدد فقط. إذا كان سلك الكهرباء تالفاً فحينئذ يتعين استبداله من قبل الشركة المصنعة أو وكيل الخدمة المعتمد.
- 2- حافظ على نظافة سلك الكهرباء. قم بإزالة أي غبار أو أوساخ تتراكم على السلك أو حوله. فقد تتسبب القوابس المتسخة في اندلاع حريق أو حدوث صدمة كهربائية.
- 3- لا تنزع سلك الكهرباء لفصل الوحدة. أمسك القابس بإحكام وانزعه من المقبس. فقد يؤدي نزع السلك بشكل مباشر إلى تلفه، وهو ما قد يتسبب في اندلاع حريق أو حدوث صدمة كهربائية.
- 4- لا تستخدم سلك تمديد ولا تمد سلك الكهرباء يدوياً ولا توصل الأجهزة الأخرى بنفس المقبس الخاص بجهاز التبريد. قد يؤدي سوء الوصلات الكهربائية وضعف العزل وعدم كفاية الجهد الكهربائي إلى اندلاع حريق.

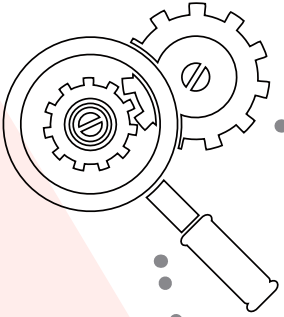
⚠ تنبيه

- 1- لا تلمس مخرج الهواء أثناء تحرك الريشة المتأرجحة. فقد يتعلق إصبعك بالوحدة أو من الممكن أن تؤدي إلى تعطل الوحدة.
- 2- لا تفحص الوحدة بنفسك. اطلب من مركز الخدمة أو فني مختص إجراء عملية الفحص.
- 3- لا تستخدم الجهاز لأغراض المحافظة (تخزين الأطعمة، والنباتات، والحيوانات، والأعمال الفنية، وغير ذلك) لمنع تلف الجهاز.
- 4- لا تلمس ملفات المبخر الموجودة داخل الوحدة الداخلية. حيث إن ملفات المبخر حادة وقد تتسبب في حدوث إصابة.
- 5- لا تشغل الجهاز ويداك ميللتان بالماء. فقد يؤدي ذلك إلى حدوث صدمة كهربائية.
- 6- لا تضع الأشياء التي قد تتعرض للتلف بفعل الرطوبة أسفل الوحدة الداخلية. وقد يحدث التكاثف عند معدل رطوبة نسبية 80%.
- 7- لا تعرض الأجهزة المنتجة للحرارة للهواء البارد ولا تضعها أسفل الوحدة الداخلية. فقد يتسبب ذلك في حدوث احتراق غير تام أو حدوث تشوهات للوحدة نتيجة الحرارة.
- 8- افحص الوحدة الداخلية بعد فترات زمنية طويلة من الاستخدام لمعرفة ما إذا كان هناك أي شيء تالف. فإذا كانت الوحدة الداخلية تالفة فقد تتعرض للسقوط أو تتسبب في حدوث إصابة.
- 9- قم بتهوية الغرفة تماماً لتجنب نقص نسبة الأكسجين في حال استخدام هذا الجهاز مع أجهزة التدفئة الأخرى.
- 10- لا تتسلق على الوحدة الداخلية ولا تضع أجساماً فوقها.

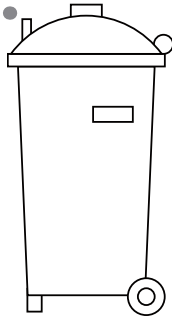
- 4 العناية والصيانة 12
 أ- صيانة الوحدة 12
 ب- كيفية تنظيف فلتر الهواء 12
 ج- إصلاح تسريبات وسيط التبريد 13
 د- التحضير لفترات عدم الاستخدام 13



- 5 استكشاف الأعطال وإصلاحها 14
 أ- المشكلات الشائعة 14
 ب- نصائح لاستكشاف الأعطال وإصلاحها ... 15



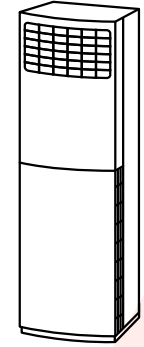
- 6 عايير الأوروبية للتخلص من النفايات 18



- 1 احتياطات السلامة 04



- 2 أجزاء الوحدة الداخلية والوظائف الأساسية 07



- 3 عمليات التشغيل اليدوي 09