



# مايكروويف مع شواية

دليل المستخدم

الموديل:

BMWHA-25GBB3 ▲

# Grill Microwave Oven

User's Manual

Model:

▲ BMWHA-25GBB3

الرجاء قراءة هذا الدليل بعناية قبل تشغيل الجهاز،  
و احتفظ به للرجوع إليه مستقبلا.

هذه التصميمات و المواصفات عرضة للتغيير بهدف إدخال تحسينات عليها  
و ذلك دون إشعار مسبق.

ISO9001 CE CB



Please read this manual carefully before operating your set.  
Retain it for future reference.

Designs and specifications are subject to change for improvement  
without prior notice.

ISO9001 CE CB



## PRECAUTIONS TO AVOID POSSIBLE EXPOSURE TO EXCESSIVE MICROWAVE ENERGY

- (a) Do not attempt to operate this oven with the door open since this can result in harmful exposure to microwave energy. It is important not to break or tamper with the safety interlocks.
- (b) Do not place any object between the oven front face and the door or allow soil or cleaner residue to accumulate on sealing surfaces.
- (c) WARNING: If the door or door seals are damaged, the oven must not be operated until it has been repaired by a competent person.

## ADDENDUM

If the apparatus is not maintained in a good state of cleanliness, its surface could be degraded and affect the lifespan of the apparatus and lead to a dangerous situation.

## Specifications

Model:	BMWHA-25GBB3
Rated Voltage:	230V~50Hz
Rated Input Power(Microwave)	1450W
Rated Output Power(Microwave):	900W
Rated Input Power(Grill):	1000W
Oven Capacity:	25L
Turntable Diameter:	Ø315mm
ExternalDimensions:	594x403x382mm
Net Weight:	Approx . 17.6kg

## IMPORTANT SAFETY INSTRUCTIONS

### WARNING

To reduce the risk of fire, electric shock, injury to persons or exposure to excessive microwave oven energy when using your appliance, follow basic precautions, including the following:

1. Read and follow the specific:"PRECAUTIONS TO AVOID POSSIBLE EXPOSURE TO EXCESSIVE MICROWAVE ENERGY".
2. This appliance can be used by children aged from 8 years and above and persons with reduced physical, sensory or mental capabilities or lack of experience and knowledge if they have been given supervision or instruction concerning use of the appliance in a safe way and understand the hazards involved. Children shall not play with the appliance. Cleaning and user maintenance shall not be made by children unless they are older than 8 and supervised. Children less than 8 years of age shall be kept away unless continuously supervised.
3. Keep the appliance and its cord out of reach of children less than 8 years.
4. If the supply cord is damaged, it must be replaced by the manufacturer, its service agent or similarly qualified persons in order to avoid a hazard.( For appliance with type Y attachment)
5. WARNING: Ensure that the appliance is switched off before replacing the lamp to avoid the possibility of electric shock.

6. **WARNING:** It is hazardous for anyone other than a competent person to carry out any service or repair operation that involves the removal of a cover which gives protection against exposure to microwave energy.
7. **WARNING:** Liquids and other foods must not be heated in sealed containers since they are liable to explode.
8. When heating food in plastic or paper containers, keep an eye on the oven due to the possibility of ignition.
9. Only use utensils that are suitable for use in microwave ovens.
10. If smoke is emitted, switch off or unplug the appliance and keep the door closed in order to stifle any flames.
11. Microwave heating of beverages can result in delayed eruptive boiling, therefore care must be taken when handling the container.
12. The contents of feeding bottles and baby food jars shall be stirred or shaken and the temperature checked before consumption, in order to avoid burns.
13. Eggs in their shell and whole hard-boiled eggs should not be heated in microwave ovens since they may explode, even after microwave heating has ended.
14. The oven should be cleaned regularly and any food deposits removed.
15. Failure to maintain the oven in a clean condition could lead to deterioration of the surface that could adversely affect the life of the appliance and possibly result in a hazardous situation.

16. Only use the temperature probe recommended for this oven. (for ovens provided with a facility to use a temperature-sensing probe.)
17. The microwave oven must be operated with the decorative door open. (for ovens with a decorative door.)
18. This appliance is intended to be used in household and similar applications such as:
- staff kitchen areas in shops, offices and other working environments;
  - by clients in hotels, motels and other residential type environments;
  - farm houses;
  - bed and breakfast type environments.
19. The microwave oven is intended for heating food and beverages. Drying of food or clothing and heating of warming pads, slippers, sponges, damp cloth and similar may lead to risk of injury, ignition or fire.
20. Metallic containers for food and beverages are not allowed during microwave cooking.
21. The appliance shall not be cleaned with a steam cleaner.
22. Care should be taken not to displace the turntable when removing containers from the appliance. (For fixed appliances and built-in appliances being used equal or higher than 900mm above the floor and having detachable turntables. But this is not applicable for appliances with horizontal bottom hinged door.)

23. The microwave oven is intended to be used built-in.
24. Steam cleaner is not to be used.
25. Surface of a storage drawer can get hot.
26. WARNING: The appliance and its accessible parts become hot during use. Care should be taken to avoid touching heating elements. Children less than 8 years of age shall be kept away unless continuously supervised.
27. During use the appliance becomes hot. Care should be taken to avoid touching heating elements inside the oven.
28. WARNING: Accessible parts may become hot during use. Young children should be kept away.
29. The appliance must not be installed behind a decorative door in order to avoid overheating. (This is not applicable for appliances with decorative door.)
30. WARNING: When the appliance is operated in the combination mode, children should only use the oven under adult supervision due to the temperatures generated.
31. Do not use harsh abrasive cleaners or sharp metal scrapers to clean the oven door glass since they can scratch the surface, which may result in shattering of the glass.

READ CAREFULLY AND KEEP FOR FUTURE REFERENCE

## To Reduce the Risk of Injury to Persons Grounding Installation

**DANGER**  
Electric Shock Hazard  
Touching some of the internal components can cause serious personal injury or death. Do not disassemble this appliance.

**WARNING**  
Electric Shock Hazard  
Improper use of the grounding can result in electric shock. Do not plug into an outlet until appliance is properly installed and grounded.

This appliance must be grounded. In the event of an electrical short circuit, grounding reduces the risk of electric shock by providing an escape wire for the electric current. This appliance is equipped with a cord having a grounding wire with a grounding plug. The plug must be plugged into an outlet that is properly installed and grounded.

Consult a qualified electrician or serviceman if the grounding instructions are not completely understood or if doubt exists as to whether the appliance is properly grounded. If it is necessary to use an extension cord, use only a 3-wire extension cord.

1. A short power-supply cord is provided to reduce the risks resulting from becoming entangled in or tripping over a longer cord.
2. If a long cord set or extension cord is used:
  - 1) The marked electrical rating of the cord set or extension cord should be at least as great as the electrical rating of the appliance.
  - 2) The extension cord must be a grounding-type -3wire cord.
  - 3) The long cord should be arranged so that it will not drape over the counter top or tabletop where it can be pulled on by children or tripped over unintentionally.

## CLEANING

Be sure to unplug the appliance from the power supply.

1. Clean the cavity of the oven after using with a slightly damp cloth.
2. Clean the accessories in the usual way in soapy water.
3. The door frame and seal and neighbouring parts must be cleaned carefully with a damp cloth when they are dirty.
4. Do not use harsh abrasive cleaners or sharp metal scrapers to clean the oven door glass since they can scratch the surface, which may result in shattering of the glass.
5. Cleaning Tip---For easier cleaning of the cavity walls that the food cooked can touch: Place half a lemon in a bowl, add 300ml (2/1 pint) water and heat on %100 microwave power for 10 minutes. Wipe the oven clean using a soft, dry cloth.

## UTENSILS

### CAUTION

#### Personal Injury Hazard

It is hazardous for anyone other than a competent person to carry out any service or repair operation that involves the removal of a cover which gives protection against exposure to microwave energy.

See the instructions on "Materials you can use in microwave oven or to be avoided in microwave oven."

There may be certain non-metallic utensils that are not safe to use for microwaving. If in doubt, you can test the utensil in question following the procedure below.

#### Utensil Test:

1. Fill a microwave-safe container with 1 cup of cold water (250ml) along with the utensil in question.
2. Cook on maximum power for 1 minute.
3. Carefully feel the utensil. If the empty utensil is warm, do not use it for microwave cooking.
4. Do not exceed 1 minute cooking time.

## Materials you can use in microwave oven

Utensils	Remarks
Browning dish	Follow manufacturer's instructions. The bottom of browning dish must be at least 3/16 inch (5mm) above the turntable. Incorrect usage may cause the turntable to break.
Dinnerware	Microwave-safe only. Follow manufacturer's instructions. Do not use cracked or chipped dishes.
Glass jars	Always remove lid. Use only to heat food until just warm. Most glass jars are not heat resistant and may break.
Glassware	Heat-resistant oven glassware only. Make sure there is no metallic trim. Do not use cracked or chipped dishes.
Oven cooking bags	Follow manufacturer's instructions. Do not close with metal tie. Make slits to allow steam to escape.
Paper plates and cups	Use for short-term cooking/warming only. Do not leave oven unattended while cooking.
Paper towels	Use to cover food for reheating and absorbing fat. Use with supervision for a short-term cooking only.
Parchment paper	Use as a cover to prevent splattering or a wrap for steaming.
Plastic	Microwave-safe only. Follow the manufacturer's instructions. Should be labeled "Microwave Safe". Some plastic containers soften, as the food inside gets hot. "Boiling bags" and tightly closed plastic bags should be slit, pierced or vented as directed by package.
Plastic wrap	Microwave-safe only. Use to cover food during cooking to retain moisture. Do not allow plastic wrap to touch food.
Thermometers	Microwave-safe only (meat and candy thermometers).
Wax paper	Use as a cover to prevent splattering and retain moisture.

## Materials to be avoided in microwave oven

Utensils	Remarks
Aluminum tray	May cause arcing. Transfer food into microwave-safe dish.
Food carton with metal handle	May cause arcing. Transfer food into microwave-safe dish.
Metal or metal-trimmed utensils	Metal shields the food from microwave energy. Metal trim may cause arcing.
Metal twist ties	May cause arcing and could cause a fire in the oven.
Paper bags	May cause a fire in the oven.
Plastic foam	Plastic foam may melt or contaminate the liquid inside when exposed to high temperature.
Wood	Wood will dry out when used in the microwave oven and may split or crack.

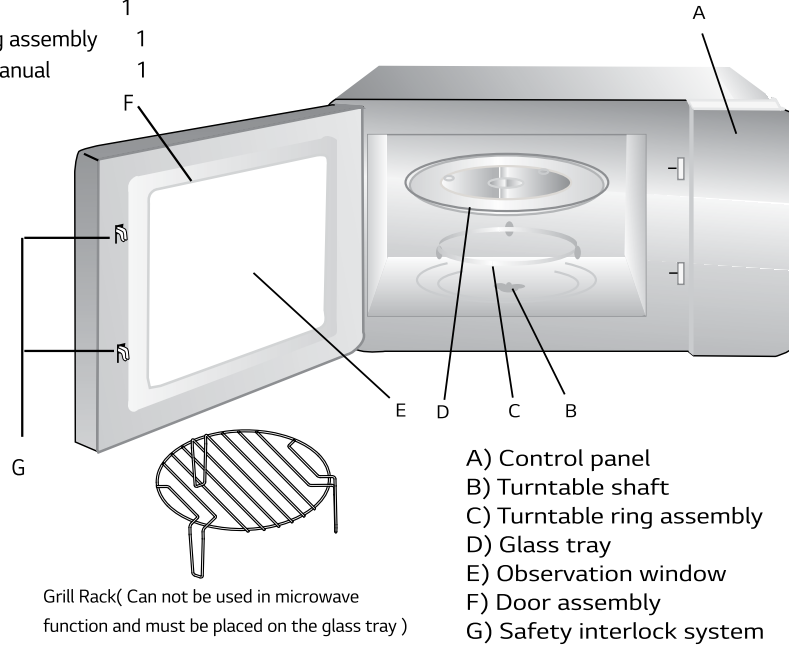
## SETTING UP YOUR OVEN

### Names of Oven Parts and Accessories

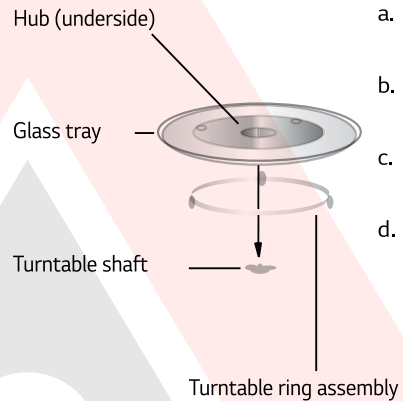
Remove the oven and all materials from the carton and oven cavity.

Your oven comes with the following accessories:

Glass tray 1  
Turntable ring assembly 1  
Instruction Manual 1



### Turntable Installation



- Never place the glass tray upside down. The glass tray should never be restricted.
- Both glass tray and turntable ring assembly must always be used during cooking.
- All food and containers of food are always placed on the glass tray for cooking.
- If glass tray or turntable ring assembly cracks or breaks, contact your nearest authorized service center.

## Installation and connection

- This appliance is only intended for domestic use.
- This oven is intended for built-in use only. It is not intended for counter-top use or for use inside a cupboard.
- Please observe the special installation instructions.
- The appliance can be installed in a 60cm wide wall-mounted cupboard.
- The appliance is fitted with a plug and must only be connected to a properly installed earthed socket.
- The mains voltage must correspond to the voltage specified on the rating plate.
- The socket must be installed and connecting cable must only be replaced by a qualified electrician. If the plug is no longer to accessible following installation, an all-pole disconnecting device must be present on the installation side with a contact gap of at least 3mm.
- Adapters, multi-way strips and extension leads must not be used. Overloading can result in a risk of fire.

The accessible surface may be hot during operation.



## Installation Instruction

The following must be noted

### Electrical connection

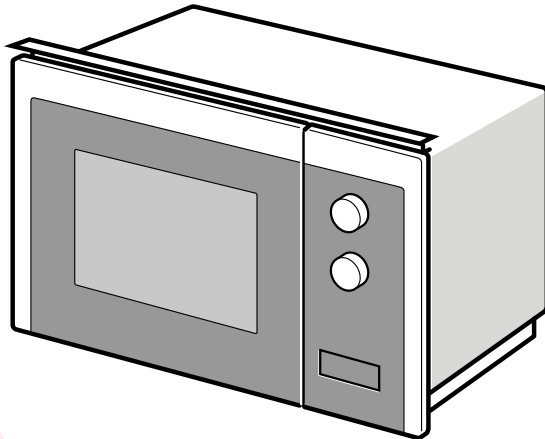
The appliance is fitted with a plug and must only be connected to a properly installed earthed socket. Only a qualified electrician who takes the appropriate regulations into account may install the socket or replace the connecting cable. If the plug is no longer accessible following installation, an all-pole isolating switch must be present on the installation side with a contact gap of at least 3 mm. Contact protection must be ensured by the installation.

### Fitted units

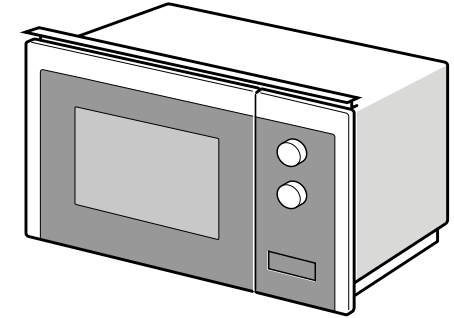
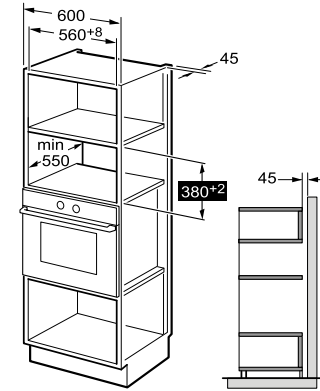
The installation cabinet must not have a back panel behind the appliance. Minimum installation height: 850 mm. Ventilation slots and intakes must not be covered.

### Installing the oven - Fig. 2

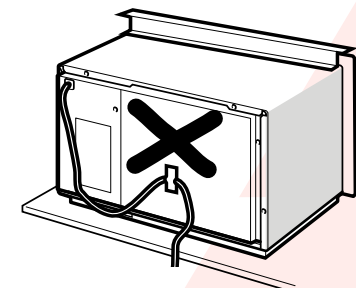
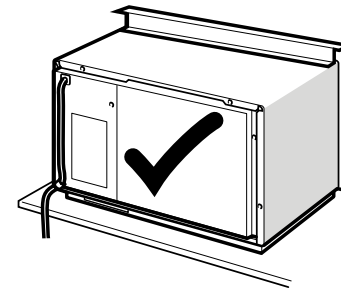
Note: Do not trap or kink the mains lead.

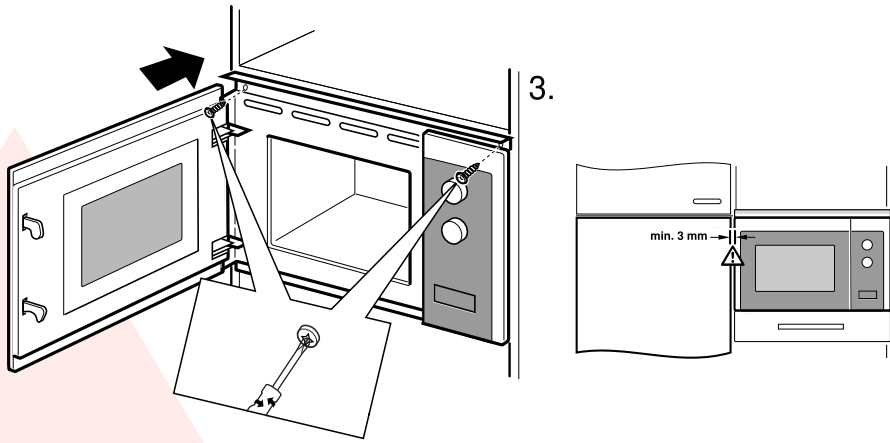
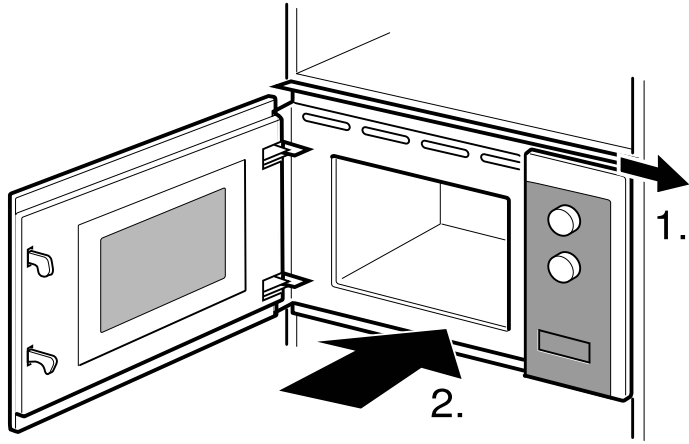


# 1



# 2





## OPERATION INSTRUCTION

This microwave oven uses modern electronic control to adjust cooking parameters to meet your needs better for cooking.

### 1. Clock Setting

When the microwave oven is electrified, the oven will display "0:00", buzzer will ring once. The oven will enter to waiting state.

- 1) Press "Kitchen Timer/Clock" twice, the hour figures will flash;
- 2) Turn " " to adjust the hour figures, the input time should be within 0--23.
- 3) Press "Kitchen Timer/Clock" to confirm, the minute figures will flash.
- 4) Turn " " to adjust the minute figures, the input time should be within 0--59.
- 5) Press "Kitchen Timer/Clock" to finish clock setting.  
":." will flash. The current time will display.

Note: If the clock is not set, it would not function when powered.

### 2. Microwave Cooking

- 1) Press the "Micro wave" key once, and "P100" will display.
- 2) Press "Microwave" repeatedly or turn " " to select the microwave power.  
"P100", "P80", "P50", "P30", "P10" will display in order.
- 3) Press "Start/+30Sec./ Confirm" to confirm setting.
- 4) Turn " " to adjust the cooking time. (The maximum cooking time is 95 minutes)
- 5) Press "Start/+30Sec./ Confirm" to start cooking.

NOTE : the step quantities for the adjustment time of the coding switch are as follow:


- 0---1 min : 5 seconds
- 1---5 min : 10 seconds
- 5---10 min : 30 seconds
- 10---30 min : 1 minute
- 30---95 min : 5 minutes


### Microwave Power Chart

Microwave Power	High	Med.High	Med.	Med.Low	Low
Display	P100	P80	P50	P30	P10




### 3. Grill or Combi. Cooking

Press " Grill/Combi. " once, the screen will display "G", and press " Grill/Combi. " repeatedly or turn "  " to choose the power you want, and "G", "C-1" or "C-2" will display. Press "Start/+30Sec./ Confirm" to confirm the power.

Turn "  " to set cooking time. (The maximum cooking time is 95 minutes)

Press " Start/+30Sec./ Confirm " again to start cooking.

Example: If you want to use %55 microwave power and %45 grill power(C1-) to cook for 10 minutes, you can operate the oven as the following steps.


- 1) Press " Grill/Combi. " once, the screen displays "G".
- 2) Continue to press " Grill/Combi. " until the screen displays "C1-".
- 3) Press " Start/+30Sec./ Confirm " to confirm.
- 4) Turn "  " to adjust the cooking time until the oven displays "10:00".
- 5) Press "Start/+30Sec./ Confirm" to start cooking.

Combination Power instructions:

Program	Display	Microwave Power	Grill Power
Grill	G	%0	%100
Combi.1	C1-	%55	%45
Combi.2	C2-	%36	%64

Note: If half the grill time passes, the oven sounds twice, and this is normal. In order to have a better effect of grilling food, you should turn the food over, close the door, and then press "Start/+30Sec./ Confirm" to continue cooking. If no operation, the oven will continue working.


### 4. Defrost By Weight

- 1) Press " Weight Defrost " once, the screen will display "dEF1".
- 2) Turn "  " to select the food weight. The range of weight is 2000-100g.
- 3) Press " Start/+30Sec./ Confirm " key to start defrosting.

Note: If half the defrost time passes, the oven sounds twice, and this is normal. In order to have a better effect of defrosting, you should turn the food over, close the door, and then press "Start/+30Sec./ Confirm" to continue cooking. If no operation, the oven will continue working.

### 5. Defrost By Time

1) Press " Time Defrost " once, the screen will display "dEF2".

2) Turn "  " to select the cooking time. The maximum time is 95 minutes.

3) Press " Start/+30Sec./ Confirm " key to start defrosting.



Note: If half the defrost time passes, the oven sounds twice, and this is normal. In order to have a better effect of defrosting, you should turn the food over, close the door, and then press "Start/+30Sec./ Confirm" to continue cooking. If no operation, the oven will continue working.

### 6. Multi-Stage Cooking

2 stages can be maximumly set. If one stage is defrosting, it should be put in the first stage automatically. The buzzer will ring once after each stage and the next stage will begin.


Note: Auto menu and speedy cooking cannot be set as one of the multi-stage.

Example: if you want to defrost the food for 5 minutes, then to cook with %80 microwave power for 7 minutes. The steps are as following:

- 1) Press " Time Defrost " once, the screen will display "dEF2".
- 2) Turn "  " to adjust the defrost time of 5 minutes;
- 3) Press " Micro wave " once, the screen will display "P100".
- 4) Press "Micro wave" repeatedly to choose microwave power till "P80" displays;
- 5) Press " Start/+30Sec./ Confirm " to confirm.
- 6) Turn "  " to adjust the cooking time of 7 minutes;
- 7) Press " Start/+30Sec./ Confirm " to start cooking.

### 7. Kitchen Timer

1) Press " Kitchen Timer/Clock " once, the screen will display " 00:00 " .

2) Turn "  " to enter the correct timer.  
(The maximum cooking time is 95 minutes)

3) Press " Start/+30Sec./ Confirm " to confirm setting.

4) When the kitchen time is reached, the buzzer will ring 5 times.


If the clock has been set(-24hour system), the screen will display the current time.

Note: The kitchen Time is different from -24hour system. Kitchen Timer is a timer.

## 8. Auto Menu

1) In waiting state, turn "  " right to choose the menu.

2) Press " Start/+30Sec./ Confirm " to confirm the menu you choose.

3) Turn "  " to choose the the weight of food.

4) Press "Start/+30Sec./ Confirm" to start cooking.

The menu chart:


Menu	Weight	Power
Pizza	200 g	C2-
	400 g	
Meat	250 g	%100(Mic.)
	350 g	
	450 g	
Vegetable	200 g	%100(Mic.)
	300 g	
	400 g	
Pasta	50g(with 450g cold water)	%80(Mic.)
	100g(with 800g cold water)	
Potato	200 g	%100(Mic.)
	400 g	
	600 g	
Fish	250 g	%80(Mic.)
	350 g	
	450 g	
Beverage	1 cup (about 120ml)	%100(Mic.)
	2cups (about 240ml)	
	3cups (about 360ml)	
Popcorn	50 g	%100(Mic.)
	100 g	

## 9. Speedy Cooking


1) In waiting state, press " Start/+30Sec./ Confirm " key to cook with %100 power level for 30 seconds. Each press on the same key can increase 30 seconds. The maximum cooking time is 95 minutes.

2) During the microwave ,grill,combination cooking and the defrost by time process, press " Start/+30Sec./ Confirm " to increase the cooking time.

3) Under the states of auto menu and defrost by weight, cooking time cannot be increased by pressing " Start/+30Sec./ Confirm

4) In waiting state, turn "  " left to choose the cooking time. After adjusting the cooking time, press " Start/+30Sec./ Confirm " to start microwave cooking with 100% power lever .

## 10. Lock Function for Children

Lock: In waiting state, press " STOP/Clear" for 3 seconds to enter the children-lock state and the current time will display if the time has been set, otherwise, the screen will display "  " .

Lock quitting: In locked state, press " STOP/Clear " for 3 seconds, the lock is released.

## 11. Inquiring Function

1) In cooking states of microwave or grill and combination. Press "Microwave" or " Grill/Comb'i, the current power will be displayed for 3 seconds.

2) If the clock has been set , during cooking state, press "Kitchen Timer/Clock " to check the current time. It will be displayed for 3 seconds.


## 12. Specification

1) If the door is opened in the process of cooking, close the door and then press " Start/+30Sec./ Confirm " to continue cooking.

2) Once the cooking programme has been set , "Start/+30Sec./ Confirm " is not pressed in 1 minutes. The current time will be displayed. The setting will be cancelled.

3) The buzzer sounds once by efficient press, inefficient press will be no response.

## 13. Open the oven door

press "  " button, the oven door will open.

## Trouble shooting

Normal	
Microwave oven interfering TV reception	Radio and TV reception may be interfered when microwave oven operating. It is similar to the interference of small electrical appliances, like mixer, vacuum cleaner, and electric fan. It is normal.
Dim oven light	In low power microwave cooking, oven light may become dim. It is normal.
Steam accumulating on door, hot air out of vents	In cooking, steam may come out of food. Most will get out from vents. But some may accumulate on cool place like oven door. It is normal.
Oven started accidentally with no food in.	It is forbidden to run the unit without any food inside. It is very dangerous.

Trouble	Possible Cause	Remedy
Oven can not be started.	(1) Power cord not plugged in tightly.	Unplug. Then plug again after 10 seconds.
	(2) Fuse blowing or circuit breaker works.	Replace fuse or reset circuit breaker (repaired by professional personnel of our company)
	(3) Trouble with outlet.	Test outlet with other electrical appliances.
Oven does not heat.	(4) Door not closed well.	Close door well.



According to Waste of Electrical and Electronic Equipment (WEEE) directive, WEEE should be separately collected and treated. If at any time in future you need to dispose of this product please do NOT dispose of this product with household waste. Please send this product to WEEE collecting points where available.

## اكتشاف الاعطال وإصلاحها

عادي (Normal)	
تشويش فرن المايكرويف على استقبال موجات المذياع والتلفاز عند تشغيل المايكرويف. وهو ما يشبه تشويش الأجهزة الكهربائية الصغيرة مثل الخلاط والمكنسة الكهربائية والمروحة الكهربائية. وهذا أمر عادي.	تشويش فرن المايكرويف على استقبال موجات التلفاز
عند استخدام المايكرويف للطهي بطاقة منخفضة، فإن ضوء الفرن من الممكن أن يصبح خافتاً. وهذا أمر عادي.	ضوء الفرن الخافت
عند الطهي، من الممكن خروج البخار من الأطعمة، وسيخرج أغلبه من فتحات التهوية، لكن قد يتراكم القليل فوق مكان بارد مثل باب الفرن. وهذا أمر عادي.	تراكم الأبخرة على الباب وخروج الهواء الساخن من فتحات التهوية
يحظر تشغيل الوحدة دون وجود أي أطعمة بداخلها، فهذا أمر خطير للغاية.	تشغيل الفرن بدون قصد ولا يوجد طعام بالداخل

المشكلة	السبب المحتمل	إصلاح الخلل
الفرن لا يعمل	سلك توصيل الكهرباء غير متصل جيداً بالقابس.	اجذب القابس، ثم أوصله ثانية بعد عشر ثوان.
	إما انفجار صمام كهربائي أو أن قاطع التيار الكهربائي يعمل.	استبدل الصمام الكهربائي أو أعد ضبط قاطع التيار الكهربائي (استعن بفني مختص من شركتنا)
	مشكلة في منفذ التيار.	اختبر منفذ التيار مع الأجهزة الكهربائية الأخرى.
الفرن لا يُسخن	الباب غير مغلق جيداً.	إغلق الباب جيداً.

وفقاً للتوجيه الأوروبي بشأن نفايات المعدات الكهربائية والإلكترونية (WEEE)، يجب تجميع نفايات المعدات الكهربائية والإلكترونية والتخلص منها بشكل منفصل. إذا رغبت في أي وقت التخلص من هذا المنتج في المستقبل، يُرجى عدم التخلص منه مع النفايات المنزلية. يُرجى إرسال هذا المنتج إلى نقاط تجميع نفايات المعدات الكهربائية والإلكترونية (WEEE) كلما كان ذلك متاحاً.



## 8- القائمة التلقائية

- 1) بوضع الانتظار، قم بتدوير " " باتجاه اليمين لاختيار القائمة.
- 2) اضغط Start/+30Sec./Confirm لتأكيد القائمة التي اخترتها.
- 3) قم بتدوير " " لاختيار وزن الطعام.
- 4) اضغط Start/+30Sec./Confirm لبدء عملية الطهي.

### مخطط القائمة:

القائمة	الوزن	الطاقة
البيتزا	200 g	C2-
	400 g	
اللحوم	250 g	%100(Mic.)
	350 g	
	450 g	
الخضراوات	200 g	%100(Mic.)
	300 g	
	400 g	
المعكرونة	50 جرام (مع 450 مم من الماء البارد)	%80(Mic.)
	100 جرام (مع 800 مم من الماء البارد)	
البطاطا	200 g	%100(Mic.)
	400 g	
	600 g	
الأسماك	250 g	%80(Mic.)
	350 g	
	450 g	
المشروبات	1) كوب (120 مل)	%100(Mic.)
	2) كوب (240 مل)	
	3) كوب (360 مل)	
الفشار	50 g	%100(Mic.)
	100 g	

## 9- التشغيل السريع

- 1) في وضع الانتظار، اضغط Start/+30Sec./Confirm للطهي بمستوى طاقة قدره 100% لمدة 30 ثانية. ولكل ضغطة إضافية يزيد وقت الطهي بمعدل 30 ثانية. أقصى زمن للطهي هو 95 دقيقة.
- 2) خلال الطهي بالمايكرويف، الشواية، المزدوج أو التذويب حسب الوقت، اضغط Start/+30Sec./Confirm لزيادة زمن الطهي.
- 3) خلال وضع القائمة التلقائية والتذويب حسب الوزن، لا يمكن زيادة زمن الطهي من خلال الضغط على Start/+30Sec./Confirm.
- 4) في وضع الانتظار، قم بتدوير " " باتجاه اليسار لاختيار زمن الطهي. وبعد ضبط زمن الطهي، اضغط Start/+30Sec./Confirm لبدء الطهي بالمايكرويف بقدرة 100%.

## 10- خاصية القفل للأطفال

- القفل: في وضع الانتظار، اضغط Stop/Clear لمدة 3 ثوان لتتغير وضع القفل للأطفال، وسيظهر التوقيت الحالي في حال ضبط الوقت. وبخلاف ذلك، ستعرض الشاشة إيقاف القفل: في وضعية القفل، اضغط على Stop/Clear لمدة 3 ثوان وسيفتح القفل. :: ::

## 11- خاصية الاستعلام

- 1) في حال تشغيل وضع المايكرويف والشواية والوضع المزدوج، اضغط Microwave أو Grill/Combo، وستظهر الطاقة الحالية في خلال 3 ثوان.
- 2) إذا تم ضبط الساعة وخلال عملية الطهي، اضغط Kitchen Timer/Clock للاستعلام عن الوقت الحالي. سيظهر التوقيت لمدة 3 ثوان.

## 12- التخصيص

- 1) في حال فتح الباب خلال عملية الطهي، أغلق الباب وبعدها اضغط Start/+30Sec./Con- firm لمواصلة الطهي.
- 2) حالما يتم ضبط برنامج الطهي، عند عدم الضغط على Start/+30Sec./Confirm خلال دقيقة واحدة، سيتم إلغاء الإعداد وسيظهر الوقت الحالي.
- 3) سيرن الطنان مرة واحدة كل ضغطة. لن يستجيب عند الضغط بطريقة غير صحيحة.

## 13- فتح باب الفرن

- 1) اضغط على مفتاح Auto، وسيفتح باب الفرن.

### 3- الطهي بالشواية أو الطهي المزوج


- اضغط Grill/Combi مرة واحدة، وستظهر على الشاشة "G"، واضغط Grill/Combi باستمرار أو قم بتدوير  لاختيار الطاقة التي ترغب فيها وستظهر الرمز "G" أو "C-1" أو "C-2" على الشاشة. ثم اضغط على Start/+30Sec./Confirm لتأكيد الطاقة.
- قم بتدوير لضبط وقت الطهي (الحد الأقصى لزمان الطهي هو 95 دقيقة).
- اضغط Start/+30Sec./Confirm مرة أخرى لبدء عملية الطهي.
- مثال: إذا كنت ترغب في ضبط طاقة المايكرويف 55% و45% لطاقة الشواية (C-1) للطهي لمدة 10 دقيقة، يمكنك تشغيل الفرن حسب الخطوات التالية.
- 1) اضغط Micro./Grill/Combi مرة واحدة، وستعرض الشاشة "G".
  - 2) استمر بالضغط على Grill/Comb. إلى أن تعرض الشاشة "C-1".
  - 3) اضغط Start/+30Sec./Confirm للتأكيد.
  - 4) قم بتدوير  لضبط زمن الطهي حتى يعرض الفرن "10:00".
  - 5) اضغط Start/+30Sec./Confirm للبدء بعملية الطهي.

تعليمات الطاقة المزوجة:  
البرنامج شاشة العرض


البرنامج	شاشة العرض	طاقة المايكرويف	طاقة الشواية
Grill	G	%	100%
Combi.1	C-1	55%	45%
Combi.2	C-2	36%	64%

ملاحظة: في حال مرور نصف الفترة الزمنية المحددة للشواء، سيصدر الفرن صوت لمرتين، وهذا أمر عادي. وللحصول على نتائج أفضل عند شوي الطعام، يجب أن تقلب الطعام على الناحية الأخرى ثم تغلق الباب، وبعدها اضغط على Start/+30Sec./Confirm لاستكمال عملية الطهي. إذا لم تقم بهذه العملية، سيستمر الفرن بالعمل.

### 4- التذويب حسب الوزن

- 1) اضغط Weight Defrost مرة واحدة، وستعرض الشاشة "dEF1".
  - 2) قم بتدوير  لاختيار وزن الطعام من 100 إلى 2000 جرام.
  - 3) اضغط Start/+30Sec./Confirm لبدء عملية التذويب.
- ملاحظة: في حال مرور نصف الفترة الزمنية المحددة للتذويب، سيصدر الفرن صوت لمرتين، وهذا أمر عادي. وللحصول على نتائج أفضل عند شوي الطعام، يجب أن تقلب الطعام على الناحية الأخرى ثم تغلق الباب، وبعدها اضغط على Start/+30Sec./Confirm لاستكمال عملية الطهي. إذا لم تقم بهذه العملية، سيستمر الفرن بالعمل.



### 5- التذويب حسب الوقت

- 1) اضغط Time Defrost مرتان، وستعرض الشاشة "dEF2".
  - 2) قم بتدوير  لاختيار زمن الطهي. أقصى زمن للطهي هو 90 دقيقة.
  - 3) اضغط Start/+30Sec./Confirm لبدء عملية التذويب.
- ملاحظة: في حال مرور نصف الفترة الزمنية المحددة للشواء، سيصدر الفرن صوت لمرتين، وهذا أمر عادي. وللحصول على نتائج أفضل عند شوي الطعام، يجب أن تقلب الطعام على الناحية الأخرى ثم تغلق الباب، وبعدها اضغط على Start/+30Sec./Confirm لاستكمال عملية الطهي. إذا لم تقم بهذه العملية، سيستمر الفرن بالعمل.


### 6- الطهي متعدد المراحل

يمكن ضبط مرحلتين كحد أقصى. في حال كانت إحدى الخطوتين هي التذويب، عندها يُضبط التذويب في المرحلة الأولى تلقائياً. سيصدر صوت طنين مرة واحدة بعد كل مرحلة وستبدأ المرحلة اللاحقة.

ملاحظة: لا يمكن ضبط القائمة التلقائية والطهي السريع كجزء من الطهي متعدد المراحل. مثال: إذا أردت تذويب الطعام لمدة 5 دقائق، وبعدها طهي بطاقة مايكرويف 80% لمدة 7 دقائق، ستكون الخطوات كالتالي:

- 1) اضغط Time Defrost مرة واحدة، وستعرض الشاشة "dEF2".
- 2) قم بتدوير  لضبط زمن التذويب لمدة 5 دقائق.
- 3) اضغط Microwave مرة واحدة، وستعرض الشاشة "P100".
- 4) اضغط Microwave باستمرار لاختيار طاقة المايكرويف حتى تعرض الشاشة "P80".
- 5) اضغط Start/+30Sec./Confirm للتأكيد.
- 6) قم بتدوير  لضبط زمن الطهي لمدة 7 دقائق.
- 7) اضغط Start/+30Sec./Confirm للبدء بعملية الطهي.

### 7- مؤقت المطبخ

- 1) اضغط Kitchen Timer / Clock مرة واحدة، وستعرض الشاشة "00:00".
  - 2) قم بتدوير  لإدخال المؤقت الصحيح. (أقصى زمن للطهي هو 95 دقيقة)
  - 3) اضغط Start/+30Sec./Confirm لتأكيد الإعداد.
  - 4) عند الوصول لتوقيت المطبخ، سيرن الطنان خمس مرات. في حال إعداد الساعة (نظام 24)، ستعرض الشاشة التوقيت الحالي.
- ملاحظة: مؤقت المطبخ يختلف عن نظام 24 ساعة، فمؤقت المطبخ هو مجرد مؤقت.

## تعليمات التشغيل

يستخدم فرن المايكرويف هذا خصائص حديثة للتحكم الالكتروني لغرض ضبط إعدادات الطهي وتلبية جميع احتياجاتك.

### 1- ضبط الساعة

عند توصيل فرن المايكرويف بالكهرباء، ستعرض على الشاشة "...: ويرن الطنان مرة واحدة. سيدخل الفرن مرحلة الانتظار.

- 1) اضغط Kitchen Timer/Clock مرتين، عندها ستضيء أرقام الساعات.
  - 2) دَوِّرْ ⚙️ لضبط أرقام الساعات، ويجب أن يكون إدخال الزمن المرغوب فيه بين 0--23.
  - 3) اضغط Kitchen Timer/Clock للتأكيد، وستضيء أرقام الدقائق.
  - 4) دَوِّرْ ⚙️ لضبط أرقام الدقائق، ويجب إدخال الزمن بين 0-59.
  - 5) اضغط Kitchen Timer/Clock لإنهاء ضبط إعدادات الساعة.": تضيء، وسيتم عرض الوقت الحالي.
- ملاحظة: في حال عدم ضبط الساعة، فإنها لن تعمل عند توصيلها بالكهرباء.

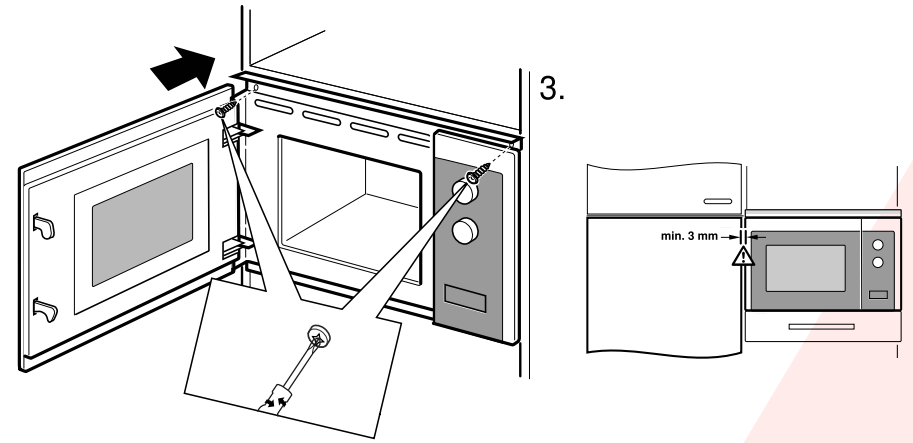
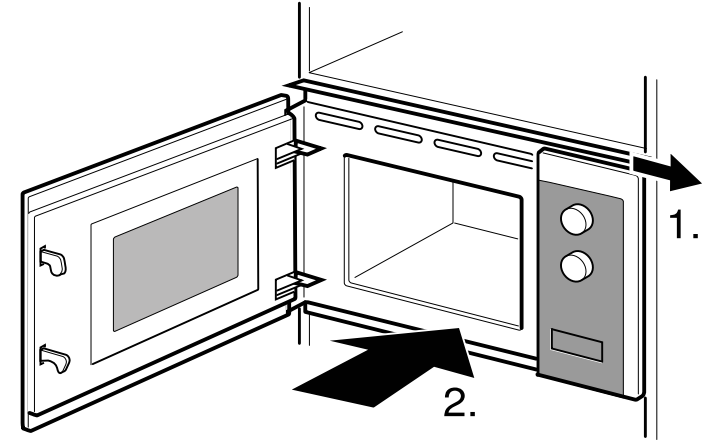
### 2- الطهي بالمايكرويف

- 1) اضغط مفتاح Microwave مرة واحدة وستظهر "P100" على الشاشة.
  - 2) اضغط Microwave باستمرار أو قم بتدوير ⚙️ لاختيار الطاقة التي ترغب فيها وستظهر الرموز "P100" أو "P 80" أو "P 50" أو "P 30" أو "P10" على الشاشة بالترتيب.
  - 3) اضغط Start/+30Sec./Confirm للتأكيد.
  - 4) قم بتدوير ⚙️ لضبط زمن الطهي (الحد الأقصى لزمن الطهي هو 95 دقيقة).
  - 5) اضغط Start/+30Sec./Confirm لبدء الطهي.
- ملاحظة: إجراءات ضبط الزمن الخاص بمفتاح الترميز هي كالتالي:

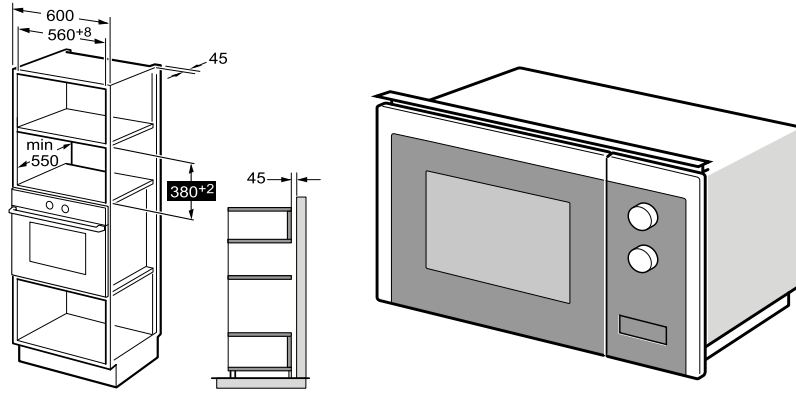
0---1 دقيقة:	5 ثوان
1---5 دقيقة:	10 ثوان
5---10 دقيقة:	30 ثانية
10---30 دقيقة:	دقيقة واحدة
30---95 دقيقة:	5 دقائق

مخطط طاقة المايكرويف

منخفض	متوسط - منخفض	متوسط	متوسط - عالي	عالي	طاقة المايكرويف
P10	P30	P50	P80	P100	شاشة العرض



1



## تعليمات التركيب

يُرجى قراءة التعليمات أدناه

### التوصيلات الكهربائية

هذا الجهاز مزود بمقبس ولا بد فقط من توصيله بطريقة سليمة بقباس تأريضي مُثبت. يجب فقط تثبيت القابس وكابلات التوصيل بواسطة فني مؤهل وفقاً للتعليمات. في حال تعذر الوصول إلى القابس يعد عملية التركيب، يجب توفير مفتاح فصل كلي الأقطاب على الجانب مع ترك مسافة تلامس تبلغ على الأقل ٣ ملم. يجب الإبقاء على مسافة كافية.

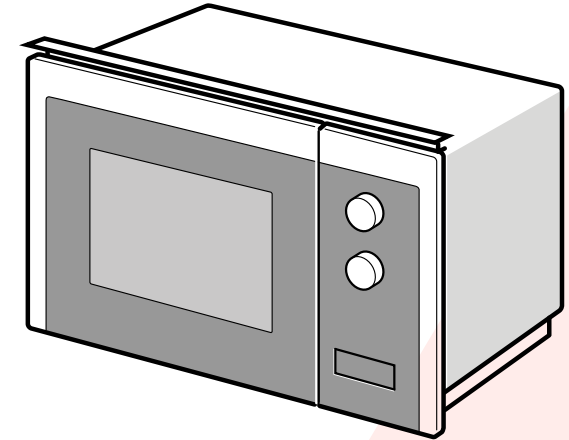
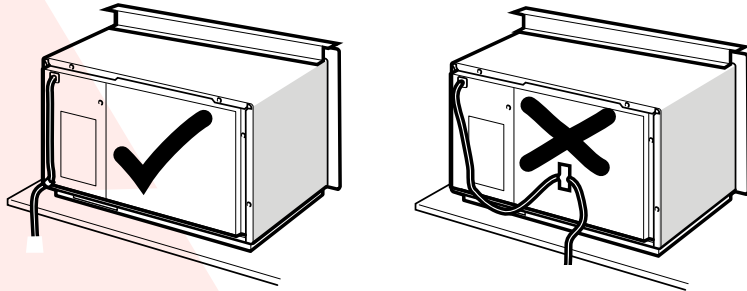
### تثبيت الوحدة

يجب ألا يكون هناك حائط وراء الكابينة المثبتة. الحد الأدنى لارتفاع التركيب: 85 سم. يُحظر تغطية فتحات التهوية وثقوب التصريف.

### تركيب الفرن - الشكل رقم 2

ملاحظة: يُحظر تعريض كابل التيار الكهربائي للحشر أو الشني.

2





## التركيب والتوصيل

- 1- هذا الجهاز مُصمم للاستخدام المنزلي فقط.
- 2- هذا الجهاز مُصمم للاستخدام المدمج فقط. فهو غير مصمم لوضعه على سطح المنضدة أو لوضعه داخل كاونتر.
- 3- يرجى مراجعة تعليمات التركيب الخاصة.
- 4- يمكن تركيب الجهاز في كاونتر بعرض ٦٠ سم.
- 5- الجهاز مزود بقابس ولايد فقط من توصيله بطريقة سليمة بمقبس تأريض مُثبت.
- 6- يجب أن يتساوى جهد التيار الكهربائي مع الجهد الكهربائي الوارد في لوحة التصنيف.
- 7- يجب تركيب المقبس وكابل التوصيل فقط عن بواسطة فني كهرباء مختص. في حال تعذر الوصول إلى القابس بعد عملية التركيب، يجب توفير مفتاح فصل كلي الأقطاب على جانب التركيب مع ترك مسافة تلامس تبلغ على الأقل ٣ ملم.
- 8- يُحظر استخدام المحولات أو الأشرطة متعددة الأسلاك أو مهايغ تطويل الوصلة. قد ينتج عن الحمل الزائد خطر نشوب حريق.

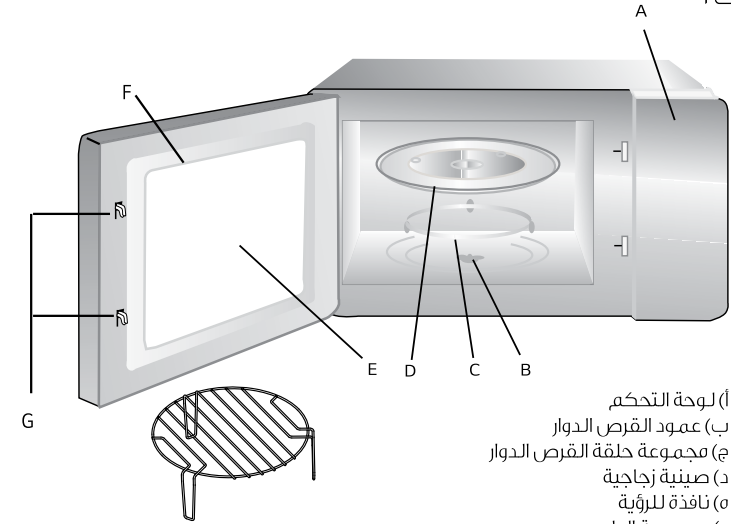


قد تكون أسطح الفرن ساخنة أثناء التشغيل.

## تركيب الفرن

### أسماء أجزاء الفرن وملحقاته

- أخرج الفرن وكل المواد من العلبة وداخل الفرن.  
يأتيك الفرن مع ما يلي من ملحقات:  
صينية زجاجية  
مجموعة حلقة القرص الدوار  
دليل التعليمات

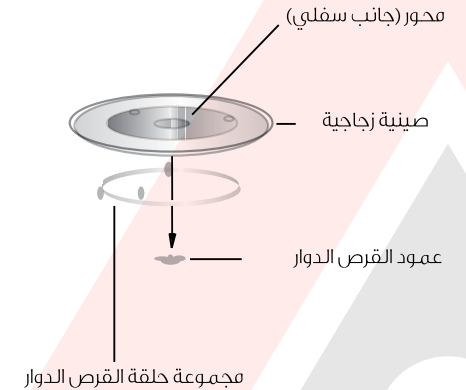


- (أ) لوحة التحكم  
(ب) عمود القرص الدوار  
(ج) مجموعة حلقة القرص الدوار  
(د) صينية زجاجية  
(هـ) نافذة للرؤية  
(و) مجموعة الباب  
(ز) نظام قفل الأمان

رف الشواية (لا يمكن استخدامه في خاصية المايكرويف ويجب وضعه على الصينية الزجاجية).

### تركيب القرص الدوار

- (أ) لا تضع أبداً الصينية الزجاجية بالمقلوب. يُحظر إعاقة الصينية الزجاجية أبداً.  
(ب) يجب استخدام كلاً من الصينية الزجاجية ومجموعة حلقة القرص الدوار أثناء الطهي.  
(ج) يُوضع الطعام وأوعية الطعان دائماً على الصينية الزجاجية للطهي.  
(د) في حالة تشقق الصينية الزجاجية أو مجموعة حلقة القرص الدوار أو كسرها، يرجى الاتصال بأقرب مركز خدمة معتمد.



## التنظيف

- تأكد من فصل القابض عن مصدر الإمداد بالطاقة الكهربائية.
- 1- نظف الجزء الداخلي للفرن بعد الاستخدام بقطعة قماش مبللة قليلاً.
  - 2- نظف الملحقات بالطريقة المعتادة بالماء والصابون.
  - 3- يجب تنظيف إطار الباب وموانع التسرب والأجزاء المجاورة جيداً عند اتساخها باستخدام قطعة قماش مبللة.
  - 4- لا تستخدم أدوات تنظيف خشنة أو أدوات كشط معدنية حادة لتنظيف زجاج باب الفرن لأنها يمكن أن تؤدي إلى خدش السطح مما قد ينتج عنه تهشم الزجاج.
  - 5- نصيحة للتنظيف – لتسهيل تنظيف جدران الجزء الداخلي من الفرن التي قد تلامس الطعام المطهي، ضع عصير نصف ليمونة في وعاء وأضف عليه 300 مل (1/2 باينت) من الماء وسخنه لمدة 10 دقائق واختار طاقة المايكرويف 100%. امسح الفرن بلطف مستخدماً قطعة قماش ناعمة وجافة.

## أدوات الطهي تنبيه

من الخطر على أي شخص بخلاف الفني المختص القيام بأي عمليات صيانة أو إصلاح تشمل إزالة الغطاء الذي يحمي من التعرض لطاقة المايكرويف.

من الخطر على أي شخص بخلاف الفني المختص القيام بأي عمليات صيانة أو إصلاح تشمل إزالة الغطاء الذي يحمي من التعرض لطاقة المايكرويف.

راجع التعليمات الخاصة "بالمواد التي يمكن استخدامها في أفران المايكرويف والمواد التي يجب تجنب استخدامها في أفران المايكرويف." قد تكون هناك أدوات طهي غير معدنية غير آمنة للاستخدام مع أفران المايكرويف. في حالة الشك، يمكنك اختبار هذه الأدوات باتباع الخطوات التالية:

اختبار أدوات الطهي:

- 1- املاً وعاء آمن للاستخدام في المايكرويف بكوب واحد من الماء البارد (٢٥٠ مل) ووضع معه أداة الطهي المراد اختبارها.
- 2- اضبط مستوى الطهي على الحد الأقصى لمدة دقيقة واحدة.
- 3- استشر أداة الطهي. إذا وجدت أداة الطهي الفارغة دافئة، لا تستخدمها للطهي داخل أفران المايكرويف.
- 4- لا تزيد زمن الطهي عن دقيقة واحدة.

## مواد يمكن استخدامها داخل فرن المايكرويف

أدوات الطهي	ملاحظات
صحن التحمير	اتبع تعليمات الجهة المصنعة. يجب أن يكون قاع صحن التحمير فوق القرص الدوار بمقدار ٣/١٦ بوصة (٥ مم) على الأقل. من الممكن أن يؤدي الاستخدام غير الصحيح إلى كسر القرص الدوار.
أدوات المائدة	الأدوات آمنة الاستخدام داخل المايكرويف فقط. اتبع تعليمات الجهة المصنعة. لا تستخدم أطباق مشروخة أو مكسورة.
البرطمانات الزجاجية	قم بإزالة الغطاء دائماً. تستخدم فقط في تدفئة الطعام. لا تمتاز معظم البرطمانات الزجاجية بخاصية مقاومة الحرارة وقد تنكسر.
الأواني الزجاجية	أواني الفرن الزجاجية المقاومة للحرارة فقط تأكد من عدم وجود أي حلية معدنية. لا تستخدم أطباق مشروخة أو مكسورة.
أكياس الطهي بالفرن	اتبع تعليمات الجهة المصنعة. لا تغلق برباط معدنية. اصنع بعض الفتحات للسماح بخروج البخار.
الأطباق والأكواب الورقية	تستخدم للطهي قصير المدة أو للتدفئة فقط. لا تغفل عن الفرن أثناء الطهي.
المناشف الورقية	تستخدم لتغطية الطعام بغرض إعادة التسخين وامتصاص الدهون. تستخدم تحت الإشراف للطهي لمدة زمنية قصيرة.
ورق الزبدة	يستخدم كغطاء لمنع النضج أو كلفافة للتبخير.
البلاستيك	الأدوات آمنة الاستخدام داخل المايكرويف فقط. اتبع تعليمات الجهة المصنعة. يجب أن توضع عليها لاصقة "الاستخدام الآمن داخل أفران المايكرويف". قد تلين بعض الأوعية البلاستيكية أثناء تسخين الطعام بداخلها. يجب ثقب أو تهوية أو شق "أكياس الغليان" والأكياس محكمة الغلق وفقاً للتعليمات الموجودة على العبوة.
الأغلفة البلاستيكية	الأدوات آمنة الاستخدام داخل المايكرويف فقط. تستخدم لتغطية الطعام أثناء الطهي للاحتفاظ برطوبته. لا تسمح للغلاف البلاستيكي بلمس الطعام.
الترمومترات	الترمومترات ذات خاصية الاستخدام الآمن داخل أفران المايكرويف فقط (ترمومترات قياس درجة حرارة اللحم والحلوى).
ورق الشمع	يستخدم كغطاء للحول دون النضج والاحتفاظ بالرطوبة.

## المواد التي يجب تجنب استخدامها في أفران المايكرويف

أدوات الطهي	ملاحظات
صواني الألومنيوم	ربما تسبب القوس الكهربائي. انقل الأطعمة إلى أطباق آمنة الاستخدام في المايكرويف.
علب الطعام الكرتونية المزودة بمقبض معدني.	ربما تسبب القوس الكهربائي. انقل الأطعمة إلى أطباق آمنة الاستخدام في المايكرويف.
أدوات الطهي المعدنية أو ذات الحلي المعدنية	المعادن تحجب طاقة المايكرويف من الوصول إلى الطعام. قد تؤدي الحلي إلى حدوث القوس الكهربائي.
الأربطة المعدنية	ربما تسبب القوس الكهربائي والاشتعال داخل الفرن.
الأكياس الورقية الفوم البلاستيك	ربما تسبب اشتعالاً داخل الفرن. من الممكن أن يذوب الفوم البلاستيك أو يُلوث السائل الموجود بالداخل وذلك عن التعرض لدرجة حرارة عالية.
الخشب	سيحرق الخشب عند استخدامه داخل فرن المايكرويف ومن الممكن أن يتشقق أو ينكسر.

## خطوات الحد من مخاطر إصابة الأشخاص تركيب التأريض

### خطر

خطر الصعق الكهربائي: يمكن أن يؤدي لمس المكونات الداخلية إلى وقوع إصابة خطيرة أو وفاة أشخاص. يُحظر فك هذا الجهاز.

### تحذير

خطر الصعق الكهربائي: يمكن أن يؤدي الاستخدام غير الصحيح للتأريض إلى وقوع صدمة كهربائية.

يُحظر وضع القابس في المقبس حتى يُركَّب الجهاز ويتم تأريضه بشكل سليم.

يجب تأريض هذا الجهاز، حيث إنه في حالة الدوائر الكهربائية القصيرة، يحد التأريض من خطورة التعرض للصدمة الكهربائية بتوفير سلك إضافي يسمح بمرور التيار الكهربائي. هذا الجهاز مزود بسلك تأريض مع قابس تأريض. يجب وضع القابس في مقبس مؤرض بشكل سليم.

استشر فني الكهرباء أو فني الخدمة المعتمد إذا كانت تعليمات التأريض غير مفهومة بالكامل أو إذا كان هناك شك بشأن التأريض السليم للجهاز من عدمه. إذا اقتضت الحاجة لاستخدام وصلة تطويل، استخدم فقط وصلة من ثلاثة أسلاك.

1- يأتي مع الجهاز سلك قصير للإمداد بالطاقة للحد من المخاطر الناتجة عن تشابك الأسلاك أو التعثر بسبب طول سلك التوصيل.

2- في حال استخدام سلك التوصيل الطويل أو وصلة التطويل:

(1) فإن التصنيف الكهربائي المحدد لسلك التوصيل أو وصلة التطويل يجب أن يكون على الأقل بنفس تصنيف الجهد الكهربائي للجهاز.

(2) يجب أن تكون وصلة التطويل من نوع التأريض المزود بثلاثة أسلاك.

(3) يجب وضع سلك التوصيل الطويل بحيث لا يتدلى من على منضدة فيشده الأطفال ولا يتعثر به أحد بغير عمد.

23- هذا الفرن معد للاستخدام المدمج.

24- يُحظر استخدام جهاز التنظيف بالبخار.

25- قد تزداد درجة حرارة سطح درج التخزين.

26- تحذير: إذا زادت درجة حرارة الفرن والأجزاء التي يمكن ملامستها أثناء الاستخدام، يجب توخي الحذر لتجنب لمس عناصر التسخين الموجودة داخل الفرن. ينبغي إبعاد الأطفال الذين تقل أعمارهم عن 8 سنوات ما لم يتوفر الإشراف المستمر عليهم.

27- يصبح الفرن ساخناً أثناء الاستخدام. يجب توخي الحذر لتجنب لمس عناصر التسخين الموجودة داخل الفرن.

28- تحذير: يمكن أن تصبح الأجزاء التي يمكن ملامستها ساخنة أثناء الاستخدام. فيجب إبعاد الأطفال.

29- يُحظر تركيب الفرن خلف باب للزينة لتجنب تراكم درجة الحرارة بصورة مفرطة. (لا ينطبق ذلك على الأفران المزودة بباب ديكوري).

30- تحذير: عند تشغيل الجهاز في الوضع المزدوج (المايكرويف والشواية)، لا يمكن للأطفال استخدام الفرن إلا تحت رقابة البالغين بسبب ارتفاع الحرارة الناتجة.

31- لا تستخدم أدوات تنظيف خشنة أو أدوات كشط معدنية حادة لتنظيف زجاج باب الفرن لأنها يمكن أن تؤدي إلى خدش السطح مما قد ينتج عنه تهشم الزجاج.

اقرأ هذه التعليمات بعناية واحتفظ بها للرجوع إليها فيما بعد.

- 16- لا تستخدم إلا مسبار استشعار الحرارة الموصي به لهذا الفرن (وذلك بالنسبة للأفران المزودة بإمكانية استخدام مسبار استشعار الحرارة).
- 17- يجب تشغيل فرن المايكرويف والباب الديكوري الأمامي مفتوحاً. (للأفران مع باب ديكوري).
- 18- هذا الفرن معد للاستخدام في الأغراض المنزلية والأغراض المماثلة مثل:  
أماكن إعداد الطعام في المحلات والمكاتب وأماكن العمل الأخرى.  
من قبل العملاء في الفنادق والنزل والأماكن السكنية الأخرى.  
البيوت الزراعية.
- الأماكن التي تقدم خدمات المبيت والإفطار.
- 19- هذه الفرن معد للاستخدام في تسخين الطعام والمشروبات. قد ينتج عن محاولة استخدامه لتجفيف الطعام أو الملابس أو تسخين وسادات التدفئة أو الإسفنجيات أو الأقمشة المبللة أو ما شابه خطر الإصابة أو نشوب حريق.
- 20- لا يُسمح باستخدام الأوعية المعدنية الخاصة بالأطعمة والمشروبات أثناء الطهي باستخدام فرن المايكرويف.
- 21- يُحظر تنظيف الفرن بالبخار.
- 22- يجب الانتباه إلى عدم نزع القرص الدوار أثناء إخراج الأوعية من الفرن. (للأفران الثابتة أو المدمجة الموضوعة على بعد 90. مم أو أكثر عن سطح الأرض ومزودة بأقراص دوارة قابلة للنزع. لكن ينطبق ذلك على الأفران المزودة بأبواب بمفصلات أفقية.)

- 6- تحذير: من الخطر على أي شخص بخلاف الفني المختص القيام بأي عمليات صيانة أو إصلاح تشمل إزالة الغطاء الذي يحمي من التعرض لطاقة المايكرويف.
- 7- تحذير: يُحظر تسخين السوائل والأطعمة الأخرى في الأوعية مغلقة، فقد ينتج عن ذلك انفجار الوعاء.
- 8- عند تسخين الطعام في أوعية بلاستيكية أو ورقية، انتبه للفرن تحسباً لاحتمال وقوع احتراق.
- 9- يجب استخدام فقط أدوات الطهي الآمنة للاستخدام في أفران المايكرويف.
- 10- إذا لاحظت انبعاث الدخان، اقل تشغيل الفرن أو انزع القابس واترك الباب مغلقاً لإخماد أي ألسنة لهب.
- 11- من الممكن أن يؤدي تسخين المايكرويف للمشروبات إلى تأخر الغليان، لذا يُجى توخي الحذر عند إمساك الوعاء.
- 12- يجب تقليل محتويات زجاجات الرضاعة وبرطمانات طعام الأطفال أو رجها والتحقق من درجة حرارتها قبل استخدامها وذلك لتجنب الإصابة بحروق.
- 13- يُحظر تسخين البيض بقشرته أو البيض المسلوق في أفران المايكرويف لأنه قد ينفجر حتى بعد انتهاء تسخين المايكرويف له.
- 14- يجب تنظيف الفرن بانتظام وإزالة أي بقايا طعام.
- 15- قد يؤدي الإخفاق في الحفاظ على نظافة الفرن إلى تلف السطح، مما قد يؤثر سلباً على عمر الفرن وقد يؤدي إلى حدوث مخاطر.

## تعليمات هامة للسلامة تحذير

للحد من مخاطر الحريق أو الصعق الكهربائي أو إصابة الأشخاص أو التعرض لطاقة فرن المايكرويف المفرطة عند استخدام الجهاز، اتبع الاحتياطات التالية

- 1- اقرأ واتبع "احتياطات لتجنب احتمال التعرض لطاقة المايكرويف المفرطة".
- 2- يُحظر على الأطفال الذين يبلغون من العمر 8 سنوات أو أكثر والأشخاص الذين يعانون من اضطرابات في القدرات البدنية أو الحسية أو العقلية والأشخاص قليلو الخبرة والمعرفة استخدام هذا الفرن إلا تحت إشراف غيرهم أو إعطائهم التعليمات المتعلقة باستخدام الفرن على نحو آمن وتوضيح المخاطر التي ينطوي عليها استخدام الفرن. يجب أن يكون الفرن بعيداً عن متناول الأطفال. لا يُسمح للأطفال بتنظيف الفرن أو صيانته دون إشراف، إلا إذا كانوا أكبر من 8 سنوات وتحت الإشراف. ينبغي إبعاد الأطفال الذين تقل أعمارهم عن 8 سنوات عن الفرن ما لم يتوفر الإشراف المستمر عليهم.
- 3- يجب أن يكون الفرن والأسلاك الخاصة به بعيداً عن متناول الأطفال الأصغر من 8 سنوات.
- 4- في حال تلف سلك الإمداد بالطاقة، يجب استبداله عن طريق الجهة المصنعة أو مراكز الخدمة المعتمدة أو أشخاص مؤهلين على نفس المستوى الكفاءة وذلك لتجنب حدوث أي مخاطر. (للافران من نوع التوصيل Y).
- 5- تحذير: تأكد من قفل تشغيل الفرن قبل استبدال المصباح لتجنب احتمال وقوع صدمة كهربائية.

## احتياطات لتجنب احتمال التعرض لطاقة المايكرويف المفرطة

- (أ) لا تحاول تشغيل هذا الفرن والباب مفتوح، فقد ينتج عن ذلك أضرار نتيجة التعرض لطاقة المايكرويف. من المهم عدم كسر أقفال الأمان أو العبث بها.
- (ب) لا تضع أي شيء بين الواجهة الأمامية للفرن والباب، ولا تسمح بتراكم بقايا الأوساخ وأدوات التنظيف على الأسطح العازلة.
- (ج) تحذير: في حال تلف الباب أو موانع التسرب الخاصة بالباب، يُحظر تشغيل الباب حتى يتم إصلاحه بواسطة فني مختص.

## ملاحظة إضافية

في حال عدم المحافظة على نظافة الفرن، تسوء حالة السطح الخاص به، مما يؤثر على عمر الجهاز، وقد يؤدي ذلك إلى حدوث مخاطر.

## المواصفات

الطرز:	BMWHA-25GBB3
الجهد الكهربائي:	230 فولت ~50 هرتز
دخل الطاقة (المايكرويف)	1450 واط
خرج الطاقة (المايكرويف):	900 واط
دخل الطاقة (الشواية):	1000 واط
سعة الفرن:	25 لتر
قطر القرص الدوار:	315 مم
الأبعاد الخارجي	594x403x382 مم
الوزن الصافي:	17.6 كجم تقريباً