

NHL-WLE3-44W-CT-UNV

LED WRAP FIXTURE

DESCRIPTION

4ft LED Wrap Fixture | 120-277V Input | Frosted Lens | 0-10V Dimming

APPLICATION

Used for commercial , retail, and residential applications

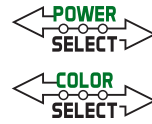


PRODUCT FEATURES

- Features Color Select technology. Adjust CCT between 3500K, 4000K, or 5000K
- Features Power Select technology. Adjust power between 44W, 28W, and 18W
- Powered by 0 –10V dimming LED drivers with 12V Aux
- Ambient operating temperature: -20°C/- 4°F to 45°C/113°F
- Compatible with emergency backups
- Luminaire is suitable for installation within a clothes closet storage space
- LED lifetime: L70 >100,000 hours @ 25°C fixture ambient
- Low optical flicker
- THD: < 20%
- Power factor > 0.95

PERFORMANCE SPECIFICATIONS

Catalog Number	Input Voltage	Wattage	Color Temperature	Lumen Output	Efficacy	CRI	Power Factor	Lifetime
NHL-WLE3-44W-CT-UNV	120 –277V	44W	3500K	5,852	133 lm/W	> 80	> 0.90	50,000hrs
			4000K	5,896	134 lm/W			
			5000K	5,940	135 lm/W			
		28W	3500K	3,948	141 lm/W			
			4000K	3,976	142 lm/W			
			5000K	4,004	143l m/W			
		18W	3500K	2,664	148 lm/W			
			4000K	2,682	149 lm/W			
			5000K	2,700	150 lm/W			

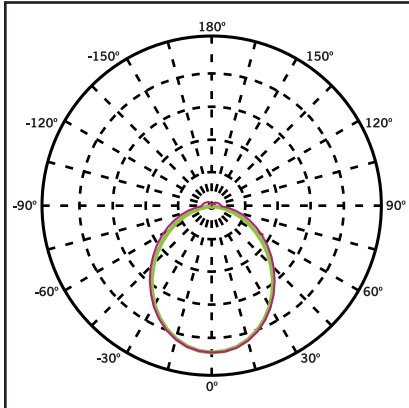


NHL-WLE3-44W-CT-UNV

LED WRAP FIXTURE

PHOTOMETRIC SPECIFICATIONS

POLAR CANDELA DISTRIBUTION



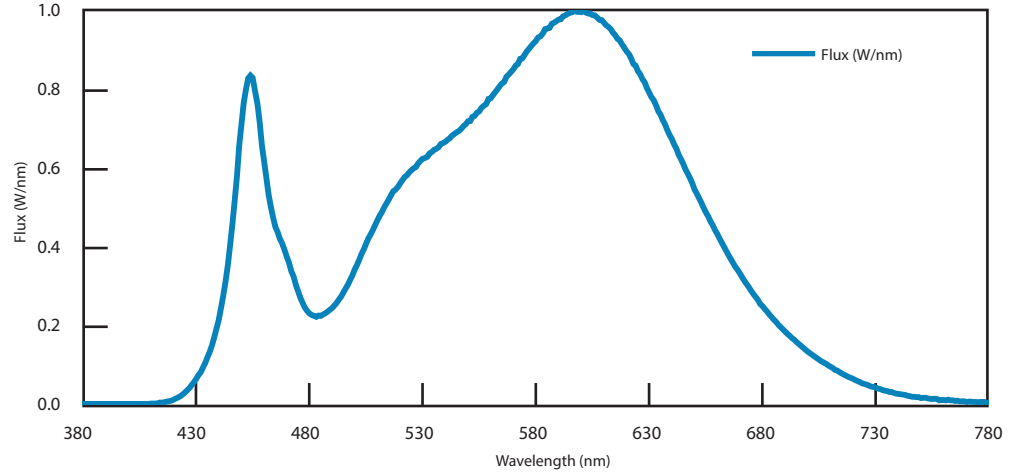
Maximum Candela = 2155.8
Located at Horizontal Angle = 0,
Vertical Angle 0

1. Violet Vertical Plane through Horizontal Angles (90-270)
2. Green Vertical Plane through Horizontal Angles (0-180)

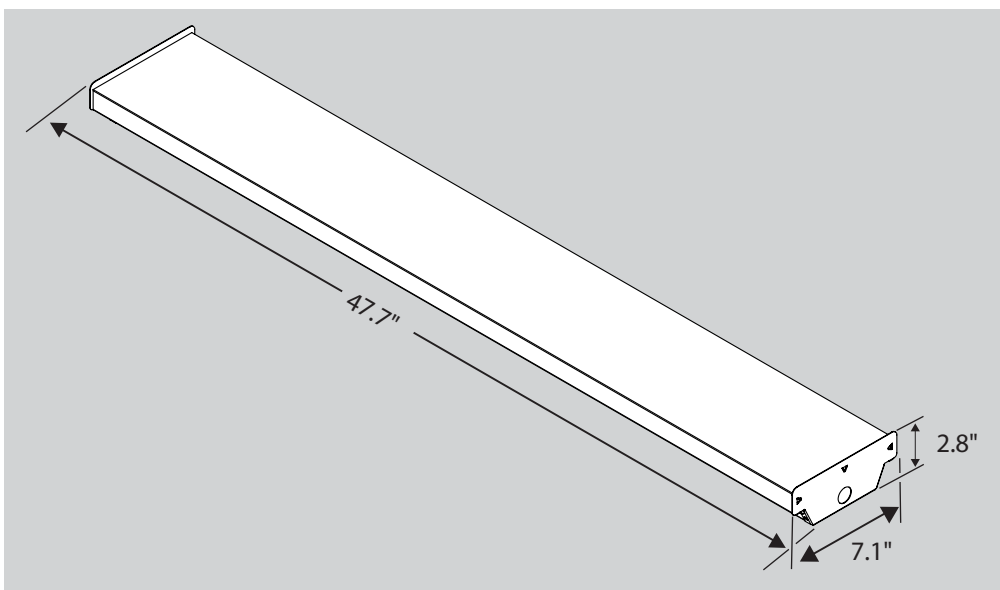
Beam Angle: 220°

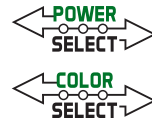
Visible Light Area: 325°

RELATIVE SPECTRAL POWER DISTRIBUTION



PHYSICAL SPECIFICATIONS





NHL-WLE3-44W-CT-UNV LED WRAP FIXTURE

ACCESSORIES (SOLD SEPARATELY)

ORDER CODE	DESCRIPTION
NHL-MW3-UV-KO-K2	Microwave Sensor Kit, Includes 120-277V input to 12V DC convertor, 12V input sensor head, Nomex Sleeve, Extension Neck

ORDERING INFORMATION

Order Code	Pack Quantity
NHL-WLE3-44W-CT-UNV	TBD

CATALOG NUMBER BREAKDOWN

NHL-WLE3-44W-CT-UNV

- 1
- 2
- 3
- 4
- 5

- 1 New Horizon Lighting
- 2 LED Wrap Fixture
- 3 Wattage
- 4 Color Select
- 5 Voltage
- 6 Sensor Options

4 Color Select Designation

A	3500K, 4000K, 5000K
B	3000K, 4000K, 5000K
C	3000K, 3500K, 4000K, 5000K
D	TBD

6 Sensor Options

	No option
/MW	Microwave Occupancy Sensor Installed