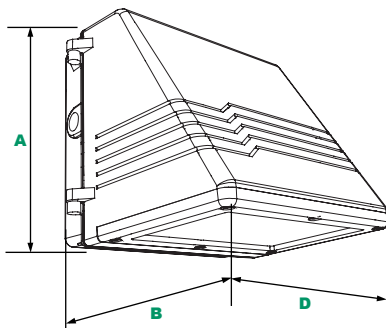


# NHL-S WEDGE

## Small Full Cutoff Wall Pack



**Dimensions**

<b>Width (D)</b>	8 3/4" (222mm)
<b>Length (B)</b>	9 1/2" (241mm)
<b>Height (A)</b>	8 5/8" (219mm)

**Project Information:**

Project Name:	Fixture Type:
Complete Catalog #:	Date:
Comments:	

The NHL-S WEDGE cutoff wall pack luminaire is available with a choice of optical distributions designed to replace HID lighting systems up to 175w MH or HPS. Typical wall mounted lighting applications include retail centers, industrial parks, schools and universities, public transit and airports, office buildings and medical facilities. Mounting heights of 8 to 15 feet can be used based on light level and uniformity requirements.

**Specifications and Features:**

**Housing:**

Die Cast Hinged and Gasketed Aluminum Front Frame and Housing with 1/2" Coin Plugs. Nickel-Plated Stainless Steel Hardware. Photocell Adaptable.

**Listing & Ratings:**

CSA: Listed for Wet Locations, ANSI/UL 1598, 8750; IP65 Sealed LED Compartment.

**Finish:**

Textured Architectural Bronze Powdercoat Finish Over a Chromate Conversion Coating. Custom Colors Available Upon Request.

**Lens:**

Tempered Clear Flat Glass Lens

**Mounting Options:**

Cast-in Template for Mounting Directly Over a 4" Recessed Outlet Box, or Use 1/2" Surface Conduit.

**LED Array:**

Aluminum Boards

**Wattage:**

Array: 15w, System: 15.8w; (150w HID Equivalent)  
Array: 21.7w, System: 23.7w; (175w HID Equivalent)

**Driver:**

Electronic Driver, 120-277V, 50/60Hz or 347-480V, 50/60Hz; Less Than 20% THD and PF>0.90. Standard Internal Surge Protection 2kV. 0-10V Dimming Standard for a Dimming Range of 100% to 10%; Dimming Source Current is 150 Microamps.

**Controls:**

Fixtures Ordered with Factory-Installed Photocell or Motion Sensor Controls are Internally Wired for Switching and/or 1-10V Dimming Within the Housing. Remote Direct Wired Interface of 1-10V Dimming is Not Implied and May Not Be Available, Please Consult Factory. Fixtures are Tested with LEPC Controls and May Not Function Properly With Controls Supplied By Others. Fixtures are NOT Designed for Use with Line Voltage Dimmers.

**Warranty:**

5-Year Warranty for -40°C to +40°C Environment.

See Page 3 for Projected Lumen Maintenance Table.

**Certification & Listings:**



## Small Full Cutoff Wall Pack

### Order Information Example:

**NHL-S WEDGE-C-22W-50K-UNV-C-Z**

NHL-SWEDGE							
Model	Optics	Wattage	CCT	Driver	Lens	Color	Options
NHL-S WEDGE= Small Full Cutoff Wall Pack	C=Type III F=Type V	15W=15w 22W=22w	40K=4000K 50K=5000K	UNV=120-277V H=347-480V	C=Clear Flat Glass Lens	Z=Bronze CC=Custom (Consult Factory)	SF=Single Fuse* DF=Double Fuse* SP=Surge Protection P10=Pencil Photocell, 120VAC P12=Pencil Photocell, 208-277VAC P14=Pencil Photocell, 120-277VAC P20=Swivel Photocell, 120VAC P22=Swivel Photocell, 208-277VAC EM=Battery Backup, 90 Minutes* EMCW=Cold Start Battery Backup, -20°C, 90 Minutes*

\*120-277V Models Only.

### Accessories & Replacement Parts:

#### Replacement Parts (Order Separately, Field Installed)

WPC12GLC Tempered Clear Flat Glass Lens.

P18110 110-130V, 120VAC Pencil Photocell

P18112 208-277V, 240VAC Pencil Photocell

P18114 120-277V, 50/60Hz Pencil Photocell

P18120 110-130V, 120VAC Swivel Photocell

P18122 208-277V, 240VAC Swivel Photocell

For Replacement Battery Backup, see the LEPC LED Battery Backup Specification Sheet.

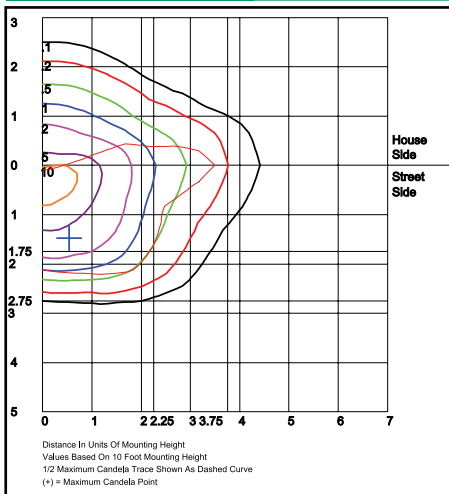


P18110 & P18112

P18114

P18120 & P18122

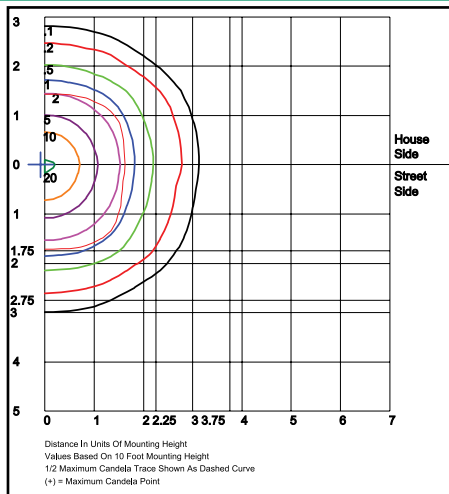
### Photometric Data



**NHL-S WEDGE-22W-UNV-50K-C**

Type III

Grid in MH  
MH=10 Feet



**NHL-S WEDGE-22W-UNV-50K-C**

Type V

Grid in MH  
MH=10 Feet



# NHL-S WEDGE

L70  
25°C

196,000 Hours

## Small Full Cutoff Wall Pack

### Photometric Performance

Wattage (Catalog Logic)		15W (1X15)	22W (1X22)
Input Watts		15.8W	23.7W
Optic	CCT	Delivered Lumens	
C = Type III	4000K	1,386	2,079
	5000K	1,444	2,166
	BUG Rating	B0-U1-G0	B1-U2-G1
F = Type V	4000K	1,556	2,334
	5000K	1,621	2,432
	BUG Rating	B1-U2-G0	B1-U2-G0

### Projected Lumen Maintenance

Data shown for 5000 CCT		Compare to MH				
TM-21-11	Input Watts	Initial	25,000 Hrs	50,000 Hrs	100,000 Hrs	Calculated LED Life
L70 Lumen Maintenance @ 25°C / 77°F	All wattages up to and including 24w	1.00	0.96	0.92	0.85	196,000
L70 Lumen Maintenance @ 50°C / 122°F		1.00	0.93	0.86	0.73	110,000
L80 Lumen Maintenance @ 40°C / 104°F		1.00	0.94	0.88	0.76	84,000

**NOTES:**

1. Projected per IESNA TM-21-11. Data references the extrapolated performance projections for the 525mA base model in a 25°C ambient, based on 10,000 hours of LED testing per IESNA LM-80-08.
2. Compare to MH box indicates suggested Light Loss Factor (LLF) to be used when comparing to Metal Halide (MH) systems.