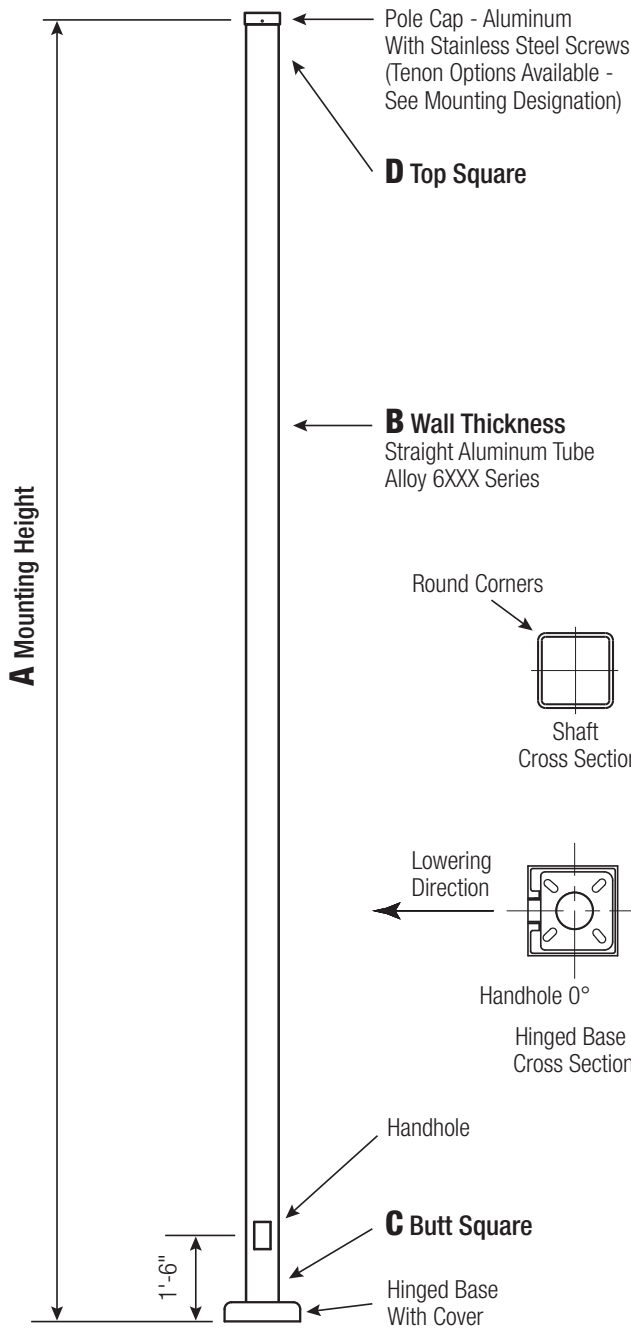


NHL-SSA

Square Straight Aluminum Pole No Arm — Hinged Base



Satin Aluminum or Powder Coated Finish per Customer Specification.

C BUTT Sq.	D TOP Sq.	F BOLT CIR. DIA.	G BASE Sq.	H BOLT PROJ.	I BOLT SIZE
4	4	7.5 - 9	10.75	2	.75 x 17 x 3
5	5	9	10.75	2	.75 x 30 x 3

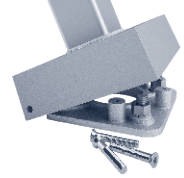
Dimensions in Inches

Pole

The pole shaft will be constructed of seamless extruded tube of 6XXX Series Aluminum Alloy per the requirements of ASTM B221. The shaft assembly shall be full-length heat treated after base weld.

Base Style

4-Bolt Cast Aluminum Base Flange of Alloy 356-T6 with three (3) Stainless Steel Tamper-Resistant Attaching Screws.



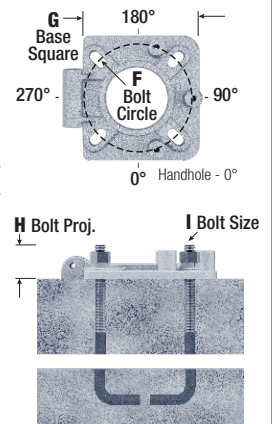
Handhole

4"-5" Butt Squares - 2" x 4" Handhole with square Lap Style Aluminum Door and two (2) Stainless Steel Self-Tapping Attaching Screws. A Grounding Provision incorporating a tapped 1/4"-20NC Grounding Provision is provided.



Anchorage

Anchorage Kit will include four (4) L-shaped Steel Anchor Bolts conforming to AASHTO M314-90 Grade 55. Ten inches (10") of threaded end will be galvanized per ASTM A153. Kits will contain four (4) Hex Nuts, four (4) Lock Washers, and four (4) Flat Washers (all components Galvanized Steel). A bolt circle template will be provided.



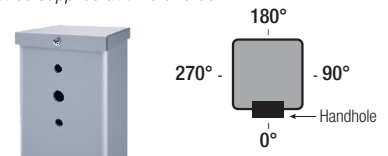
Vibration Damper

When determined necessary by the factory, a Vibration Damper will be factory-installed inside the pole shaft. Customer specification of the damper is available.

Mounting Designation

Side Drill Mount

For Side Drill Mount applications specify luminaire type, quantity and orientation. A luminaire drilling template must be supplied at time of order.



Tenon Mount

For Tenon Mount applications specify both Tenon diameter (2.375", 2.875", 3.5", etc.) and length (3", 4", etc.).

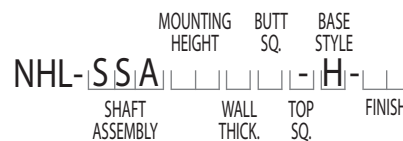


WARNING: Do not install light pole without luminaire.

A Mtg. Hgt.	B Wall Thickness	C Butt Diameter	TOTAL LUM. WEIGHT	MAXIMUM EPA					OLD CAT. NUMBER	NHL CATALOG NUMBER
				90	100	110	120	130		
08	0.125"	4	100	19.9	15.8	14.6	12.0	10.0	1397-001	SSA08B4-H-**
10	0.125"	4	100	15.2	11.9	11.0	8.8	7.2	1397-002	SSA10B4-H-**
10	0.188"	5	100	26.0	20.5	19.0	15.4	12.7	1397-003	SSA10D5-H-**
12	0.125"	4	100	11.8	9.1	8.4	6.6	5.2	1397-004	SSA12B4-H-**
12	0.188"	5	100	20.6	16.0	14.7	11.8	9.5	1397-005	SSA12D5-H-**
14	0.125"	4	70	9.4	7.0	6.4	4.9	3.7	1397-006	SSA14B4-H-**
14	0.188"	5	100	16.6	12.6	11.5	9.0	7.0	1397-007	SSA14D5-H-**
15	0.125"	4	55	8.4	6.2	5.6	4.2	3.0	1397-008	SSA15B4-H-**
15	0.188"	5	100	14.9	11.2	10.2	7.8	6.0	1397-009	SSA15D5-H-**
16	0.125"	4	40	7.4	5.4	4.8	3.5	2.4	1397-010	SSA16B4-H-**
16	0.188"	4	100	7.4	5.4	4.8	3.5	2.4		SSA16D4-H-**
16	0.188"	5	100	13.4	10.0	9.0	6.8	5.1	1397-011	SSA16D5-H-**
18	0.125"	4	35	5.7	3.9	3.4	2.2	1.4	1397-012	SSA18B4-H-**
18	0.188"	4	100	5.7	3.9	3.4	2.2	1.4		SSA18D4-H-**
18	0.188"	5	100	10.6	7.6	6.7	4.8	3.4	1397-013	SSA18D5-H-**
20	0.188"	5	100	8.2	5.6	4.8	3.2	1.8	1397-014	SSA20D5-H-**

Catalog Number System

The catalog number for NHL poles utilizes the following identification system.



Catalog Number Example -

NHL-SSA 20 D 5 - H - BA

Square Straight Aluminum, 20' Mounting Height, .188" Wall Thickness, 5" Butt Square, No Taper, Hinged Base, Black Powder Coat Finish.

Wall Thickness

B = .125"
D = .188"

Butt Square

4 = 4"
5 = 5"

Top Square

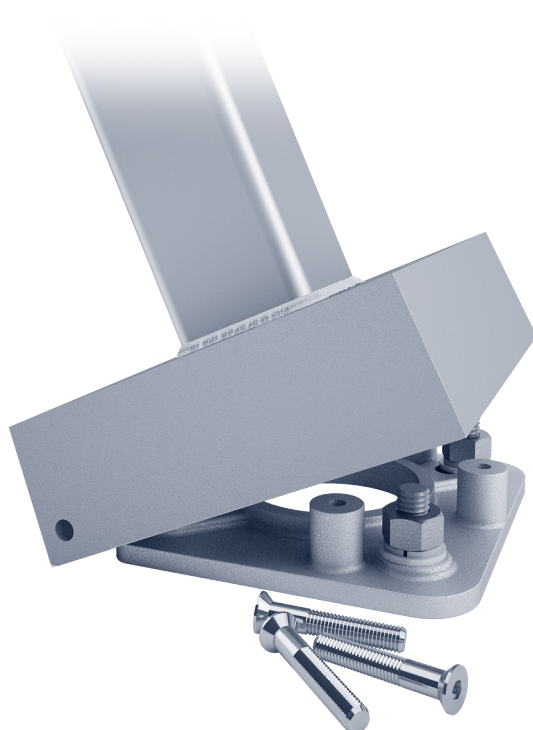
- = No Taper

Base Style

H = Hinged Base

Finish

O2 = Satin Aluminum
BA = Black Powder Coat
BH = White Powder Coat
BM = Dark Bronze Powder Coat
BV = Dark Green Powder Coat
GC = Gray Powder Coat
** = Specify Finish



EPA Notes:

Effective Projected Area (EPA) in square feet. EPA's calculated using wind velocity (mph) indicated in accordance with 2009 AASHTO LTS-5 using a 25 year design life. Maximum EPA is based on the luminaire weight shown. Increased luminaire weight may reduce the maximum EPA. If weight is exceeded, or if other design life or code is required, please consult the factory.