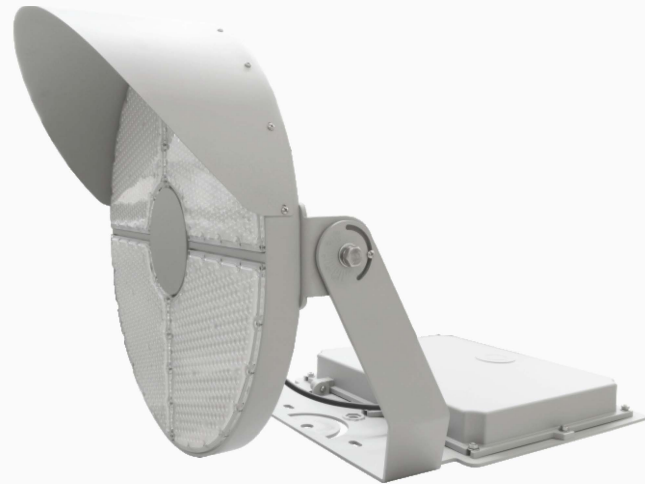




# NHL-SPL3 LED Flood Light



## Product Description:

This NEW Designed State of the Art Sports Flood is made with High Strength Die Cast Aluminum with Elite Thermal Dissipation to allow the fixture to be installed in harsh conditions. This NHL-SLP3 comes standard with 2 mounting options, U bracket and Bolt option, to accommodate all mounting applications. Utilizing 4 different optical distributions (20, 30, 40, and 50 degree), this fixture can accomplish all your Sports

Lighting requirements for a Photometric Masterpiece on your project.

## Features:

### LISTING

UL and CUL listed for wet locations, IP65

### HOUSING

Die Cast Aluminum Head and Driver box with a steel frame for support coated in a gray powder coat

### LEDS

New generation LED module

### FINISH

UV stabilized powder coated finish

### LENS

20, 30, 40, and 50 Degree Optics

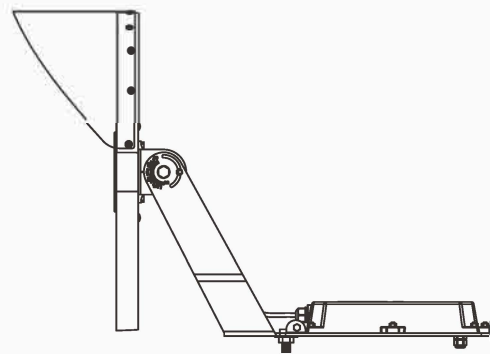
### OPTIONS

Standard 200-528V Driver

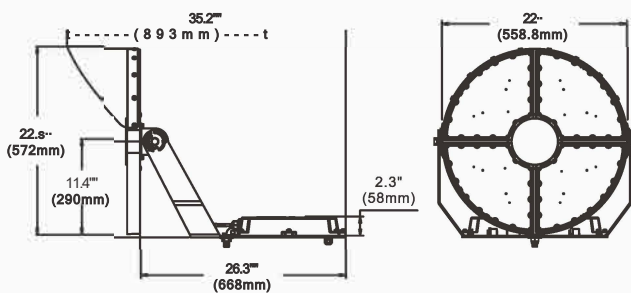
Standard U Bracket and Bolt Mounting Option

Finish Gray color option with adder

## Line Drawing



## Dimensions

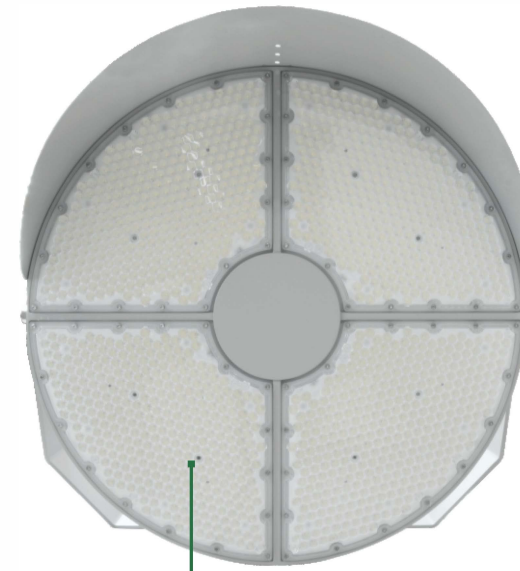


- Different LED Kelvin temperature available with 4-6 week lead time. Please call for a quote.
- DISCLAIMER: This test report was produced in accordance with IES LM-79 photometric testing protocol for luminaires, using a single representative test fixture. Actual production units may vary from the values reported here by up to ±10%.



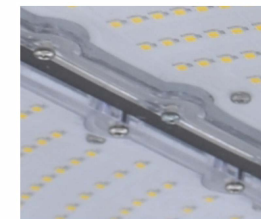
# NHL-SPL3 LED Flood Light

## Product Description:

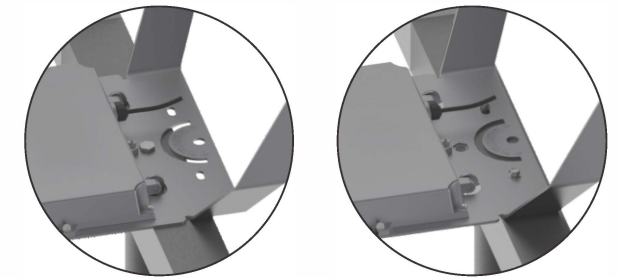
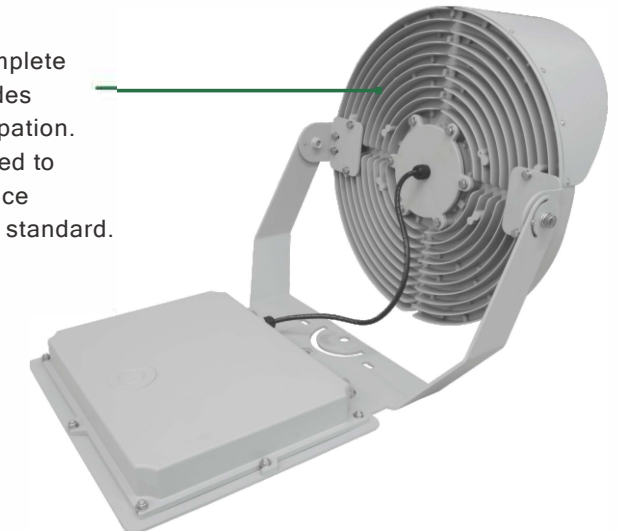


### Proprietary Optical Control

Specifically designed lens 20, 30, 40, and 50 degree allow architects maximum freedom to design any layout without restraint. These optics are engineered for maximum light output.



Heavy-Duty one complete piece die cast provides maximum heat dissipation. Cooling fins are added to increase the ambience temperature to 50 °C standard.



2 mounting options, U bracket and bolt mount, to accommodate all install applications.

## Specification:

Example:NHL-SLP3-850W-50K-30-HV-GY

Model No.	Wattage	Color Temp	Distribution Angle	Input Voltage	Finish	Starting Temp
NHL-SPL3	850W	50K=5000 K	20 30 40 50	HV = 200-528V	GY=Gray	-40 °c

## Performance Data

Model NO.	Nominal Watts	Dist. Type	Lumens	Efficacy
NHL-SPL3	850W	20 Degree 30 Degree 40 Degree 50 Degree	143627 lm*	171 lm/W*

\*Lumen and Efficacy are based on 30 Degree Optic

- Different LED Kelvin temperature available with 4-6 week lead time. Please call for a quote.
- DISCLAIMER: This test report was produced in accordance with IES LM-79 photometric testing protocol for luminaires, using a single representative test fixture. Actual production units may vary from the values reported here by up to ±10%.

