



LED Flood Light

NHL-SMFL3 Series



APPLICATIONS

	Street & Tunnel
	Park
	Gas Station
	Parking
	Industrial Site





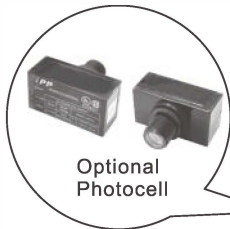
LED Flood Light

NHL-SMFL3

Product Description:



Easy access to the control switch for a range of CCTs to choose from



Optional Photocell



Diffuse PC lens to provide efficient distribution of light.



Die-cast aluminum heatsink provides the most ideal heat dissipation, making the fixture cool to the touch.



KM



KM



KM



SF



TM



TM



SF



TM



SF



TM





LED Flood Light

NHL-SMFL3

Product Description:

This compact but powerful flood light is a true innovation practically and aesthetically. The upgraded color tuning switch allows easy access to a range of CCTs based on different environments. Utilizing performance optics and long lasting driver, these landscape flood lights will last for years to come.

Optional Kelvin color* with adder.

Features:

LISTING

►UL and CUL listed for wet locations

HOUSING

►Solid construction die-cast aluminum body

FINISH

►UV stabilized powder coated finish

OPTIONS

►Optional photocell

►Finish - Bronze. Color options with adder

Build in color adjustable control ranging from 3000K to 5000K

Performance Data

Model NO.	System Watts	Lumens	Efficacy
NHL-SMFL3-14W	14W	1866 lm**	133 lm/W*
NHL-SMFL3-27W	27W	3677 lm**	136 lm/W*
NHL-SMFL3-47W	47W	6601 lm**	142 lm/W*
NHL-SMFL3-72W	72W	9654 lm**	134 lm/W*
NHL-SMFL3-96W	96W	13479 lm**	141 lm/W*
NHL-SMFL3-145W	145W	20082 lm**	138 lm/W*
NHL-SMFL3-201W	201W	27867 lm**	138 lm/W*

*Efficacy based on 4000K

Specification:

Example:NHL-SMLF-14W Series

Model No.	System Watts	Color Temp	CRI	Input Voltage	Mounting Option	Option	Finish	Starting Temp
NHL-SMFL3	14W=14W	CT	7=70+	UNV= 120-277V	SF=Slip Fitter	PC = Photocontrol*	BZ=Bronze	-40°C - +40°C
NHL-SMFL3	27W=27W	(Switchable to 3000k, 4000k, and 5000k)			TM=Trunnion	D = Dimmable		
NHL-SMFL3	47W=47W				KM=Knuckle	SP = 4KV Internal Surge		
NHL-SMFL3	72W=72W					*Not applicable to 14W		
NHL-SMFL3	96W=96W							
NHL-SMFL3	145W=145W							
NHL-SMFL3	201W=201W							

• Different LED Kelvin temperature available with 4-6 week lead time. Please call for a quote.

•• DISCLAIMER: This test report was produced in accordance with IES LM-79 photometric testing protocol for luminaires, using a single representative test fixture. Actual production units may vary from the values reported here by up to ±10%.

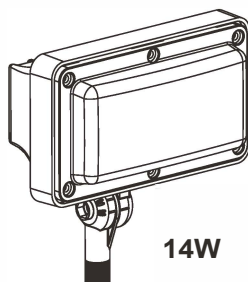




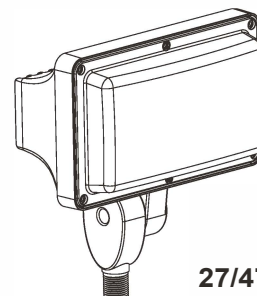
LED Flood Light

NHL-SMFL3

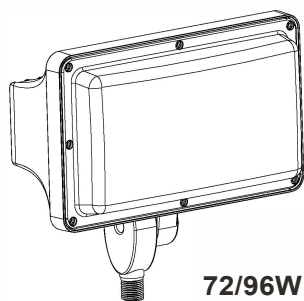
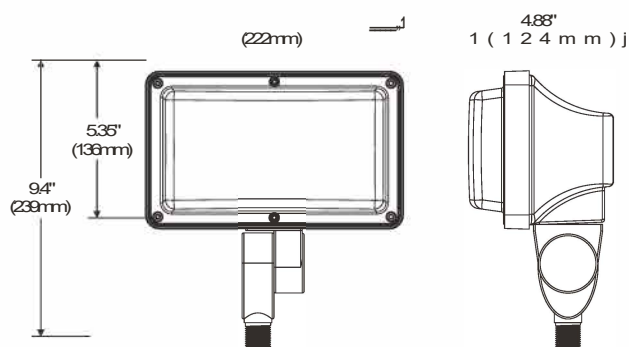
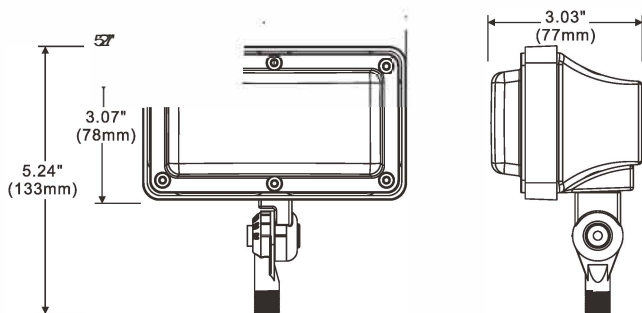
Dimension:



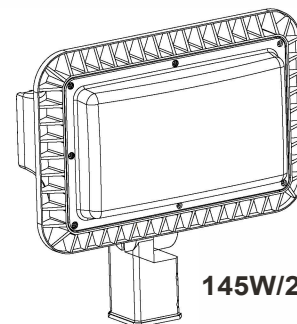
14W



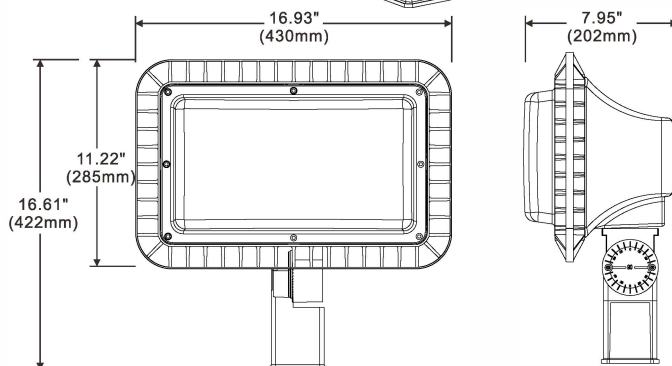
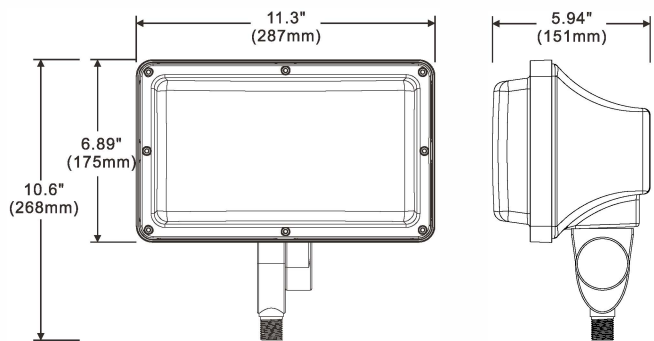
27/47W



72/96W



145W/201W



9 Gladney Ave. Bayville, NJ 08721, USA
 Tel: (732) 833-8086 Fax: (732) 833-8085
 e-mail: sales@newhorizonlighting.com
www.newhorizonlighting.com