

NHL-SLE2-4-44W-CT-UNV

LED MICROSTRIP FIXTURE

DESCRIPTION

4' LED Microstrip Fixture | 120 – 277V Input | Frosted Lens | 0–10V Dimming

APPLICATION

Used for commercial, retail, and residential strip applications



PRODUCT FEATURES

- Features Color Select technology. Adjust CCT between 3500K, 4000K, or 5000K
- Features Power Select technology. Adjust power between 44W, 28W, and 18W
- Fixture is approved for installation within clothing closets and small storage spaces
- Powered by 0 –10V dimming LED drivers
- Post-painted steel body; PMMA lens
- Compatible with emergency LED drivers
- Compatible with occupancy sensors
- Ambient operating temperature: –20°C/–4°F to 50°C/122°F
- UL Listed 1598: Suitable for dry and damp locations
- THD: < 20%
- Power factor > 0.95

POWER AND COLOR TEMPERATURE SELECTABILITY

- Color Select Technology: Adjustable CCT (3500K/4000K/5000K)
- Power Select Technology: Adjustable Wattage (44W/28W/18W)

PRODUCT SPECIFICATIONS

Catalog Number	Input Voltage	Wattage	Color Temperature	Lumens	Efficacy	Rated Life	CRI	Power Factor
NHL-SLE2-4-44W-CT-UNV*	120-277V	44W	3500K	5,808	132 lm/W	50,000 hrs	>80	>0.9
			4000K	5,852	133 lm/W			
			5000K	5,896	134 lm/W			
		28W	3500K	3,892	139 lm/W			
			4000K	3,920	140 lm/W			
			5000K	3,948	141 lm/W			
		18W	3500K	2,556	142 lm/W			
			4000K	2,574	143 lm/W			
			5000K	2,592	144 lm/W			

ONE CATALOG NUMBER WITH 9 DIFFERENT OPTIONS

* Preset to highest lumen output (44W / 5000K)

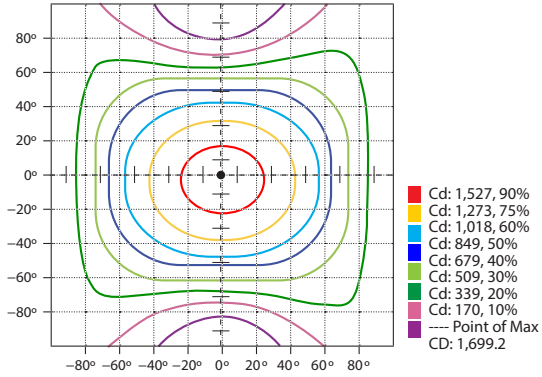
* Color Uniformity: CCT (Correlated Color Temperature) range as per guidelines outlined in ANSI C78.377-2017.

NHL-SLE2-4-44W-CT-UNV

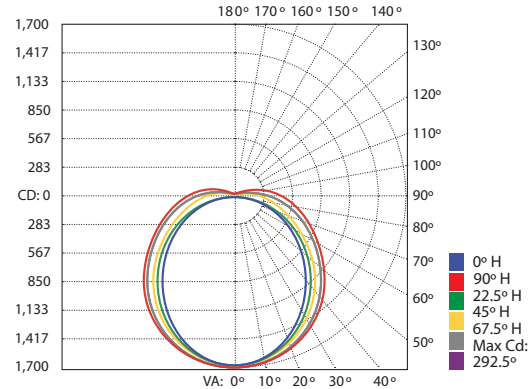
LED MICROSTRIP FIXTURE

PHOTOMETRIC SPECIFICATIONS

ISOCANDELA PLOT



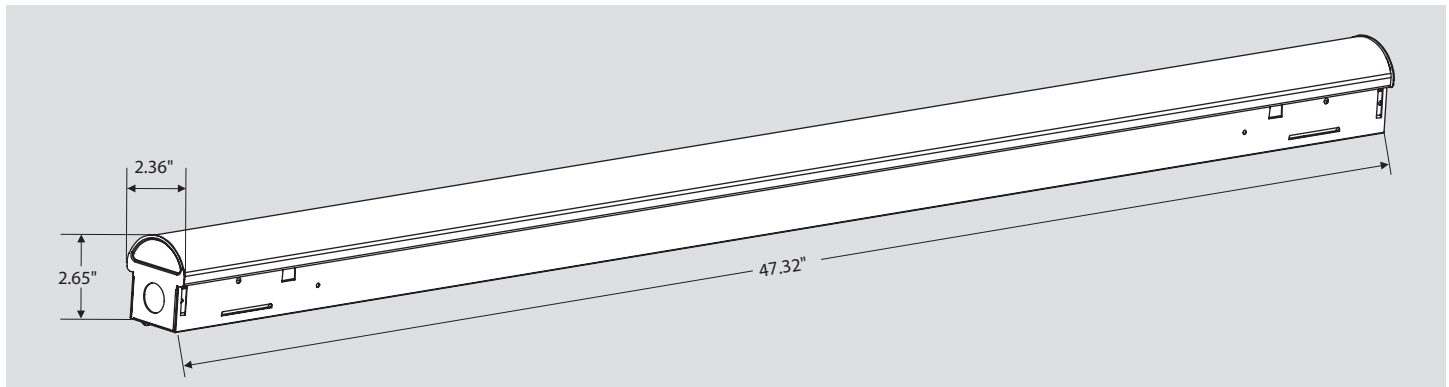
POLAR CANDELA DISTRIBUTION



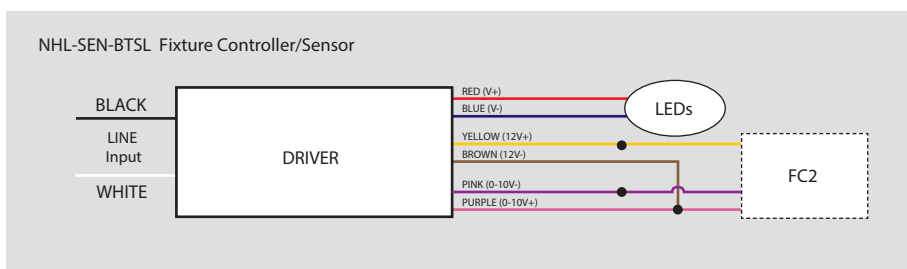
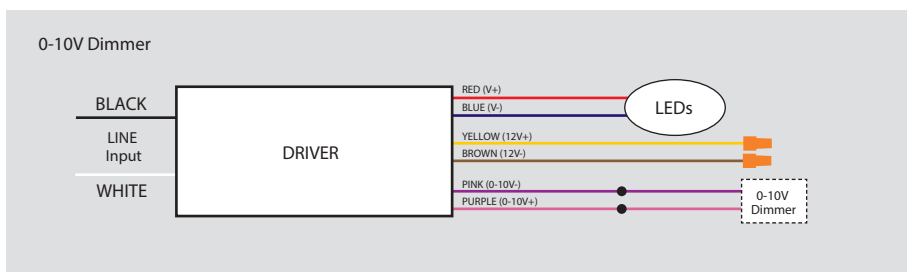
ZONAL LUMEN SUMMARY

Zone	Lumens	% Luminaire
0-30	1,295.9	21.9%
0-40	2,122.9	35.9%
0-60	3,804.3	64.3%
60-90	1,556.1	26.3%
70-100	1,110.0	18.8%
90-120	457.1	7.7%
0-90	5,360.4	90.6%
90-180	553.4	9.4%
0-180	5,913.8	100%

PHYSICAL SPECIFICATIONS



WIRING DIAGRAMS



NHL-SLE2-4-44W-CT-UNV LED MICROSTRIP FIXTURE

SENSORS (SOLD SEPARATELY)

ORDER CODE	DESCRIPTION
NHL-SEN/BTSL *	Bluetooth mesh wireless low voltage fixture controller for SmartLoop system with integrated daylight and PIR motion
NHL-SEN/MW	Microwave Sensor Kit, includes 120-277V input to 12V DC convector, 12V input sensor head, Nomex Sleeve, Extension Neck



*Requires NHL-SLE2-SEN/BRKT mounting bracket

Fixture installed with NHL-SEN/BTSL and NHL-SLE2-SEN/BRKT bracket

ACCESSORIES (SOLD SEPARATELY)

ORDER CODE	DESCRIPTION
NHL-SLE2-LSMK	Linking Surface Mount Kit for SLE2 fixtures. Includes end to end metal bracket and KO grommet
NHL-SLE2-VHK	V-Hook and Chain Kit for Keystone Micro LED Strip fixtures. Includes (2) V-Hook and (2) chains 40in long
NHL-SLE2-SEN/BRKT	Microstrip Bracket for Smart Loop NHL-SEN/BTSL Sensor
NHL-EM/500	LED Emergency Back-Up, 5W Constant Wattage Design, Approx 500 lumens
NHL-EM/1200	LED Emergency Back-Up, 12W Constant Wattage Design, Approx 1200 lumens

ORDERING INFORMATION

Order Code
NHL-SLE2-4-44W-CT-UNV

CATALOG NUMBER BREAKDOWN

NHL-SLE2-4-44W-CT-UNV

- 1
- 2
- 3
- 4
- 5
- 6

- 1 New Horizon Lighting
- 2 Model
- 3 4' Normal Length
- 4 Wattage
- 5 Color Temperature/Select
- 6 Voltage

Color Temperature

40	4000K
50	5000K
CS	Color Select

Color Select Designation

A	3500K, 4000K, 5000K
B	3000K, 4000K, 5000K
C	3000K, 3500K, 4000K, 5000K

Additional Options

	No Option
/MW	Microwave Occupancy Sensor Installed
/BTSL	PIR Motion Sensor