

NHL-SLE2-2-25W-CT-UNV MICROSTRIP FIXTURE

DESCRIPTION

2' LED Microstrip Fixture | 120 – 277V Input |
Frosted Lens | 0 –10V Dimming

APPLICATION

Used for commercial, retail, and residential strip applications



PRODUCT FEATURES

- Features Color Select technology. Adjust CCT between 3500K, 4000K, or 5000K
- Features Power Select technology. Adjust power between 25W, 20W, and 15W
- Fixture is approved for installation within clothing closets and small storage spaces
- Powered by 0 –10V dimming LED drivers
- Post-painted steel body; PMMA lens
- Compatible with occupancy sensors
- Ambient operating temperature: -20°C/-4°F to 50°C/122°F
- UL Listed 1598: Suitable for dry and damp locations
- THD: < 20%
- Power factor > 0.95

POWER AND COLOR TEMPERATURE SELECTABILITY

- Color Select Technology: Adjustable CCT (3500K/4000K/5000K)
- Power Select Technology: Adjustable Wattage (25W/20W/15W)

PRODUCT SPECIFICATIONS

Catalog Number	Input Voltage	Wattage	CCT	Lumen Output	Efficacy	CRI	Power Factor	Lifetime
NHL-SLE2-2-25W-CT-UNV	120 –277V	25W	3500K	3,250	130 lm/W	> 80	> 0.90	50,000 hrs
			4000K	3,275	131 lm/W			
			5000K	3,300	132 lm/W			
		20W	3500K	2,720	136 lm/W			
			4000K	2,740	137 lm/W			
			5000K	2,760	138 lm/W			
		15W	3500K	2,085	139 lm/W			
			4000K	2,100	140 lm/W			
			5000K	2,115	141 lm/W			

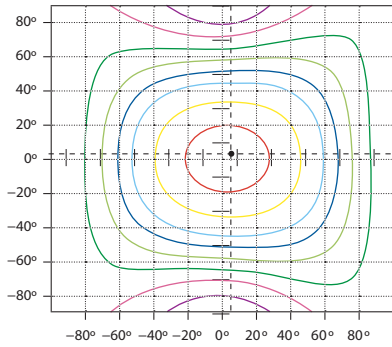
ONE CATALOG NUMBER WITH 9 DIFFERENT OPTIONS

* Preset to highest lumen output (25W / 5000K)
* Color Uniformity: CCT (Correlated Color Temperature) range as per guidelines outlined in ANSI C78.377-2017.

NHL-SLE2-2-25W-CT-UNV MICROSTRIP FIXTURE

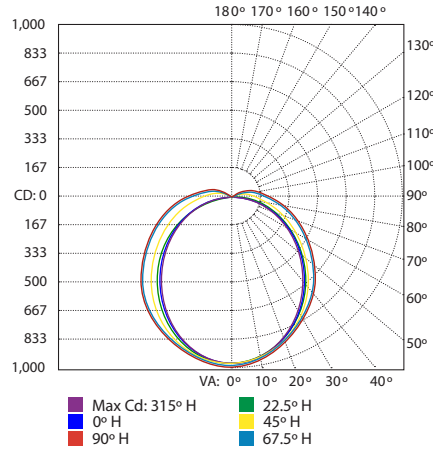
PHOTOMETRIC SPECIFICATIONS

ISOCANDELA PLOT



- Cd: 891, 90%
 - Cd: 743, 75%
 - Cd: 594, 60%
 - Cd: 495, 50%
 - Cd: 396, 40%
 - Cd: 297, 30%
 - Cd: 198, 20%
 - Cd: 99, 10%
- Point of Max Cd: 990.5

POLAR CANDELA DISTRIBUTION

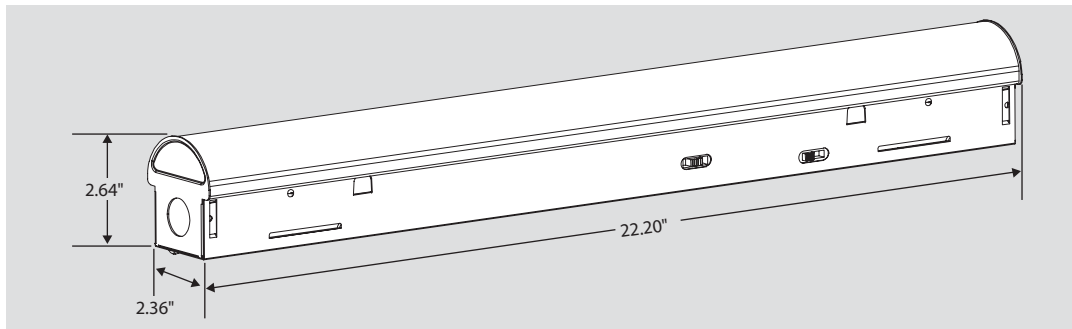


- Max Cd: 315° H
- 0° H
- 90° H
- 22.5° H
- 45° H
- 67.5° H

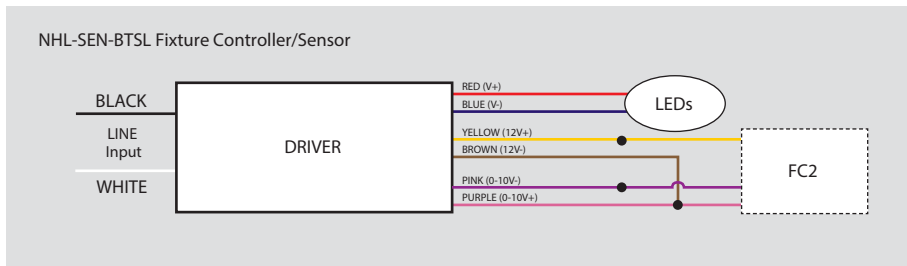
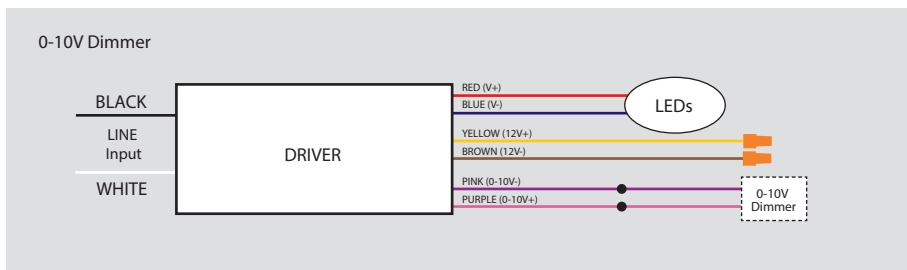
ZONAL LUMEN SUMMARY

Zone	Lumens	% Luminaire
0-60	2,215.2	65.40%
60-90	884.3	26.10%
0-90	3,099.5	91.50%
90-180	289.5	8.50%
0-180	3,389.0	100.0%

PHYSICAL SPECIFICATIONS



WIRING DIAGRAMS



NHL-SLE2-2-25W-CT-UNV MICROSTRIP FIXTURE

SENSORS (SOLD SEPARATELY)

ORDER CODE	DESCRIPTION
NHL-SEN/BTSL *	Bluetooth mesh wireless low voltage fixture controller for SmartLoop system with integrated daylight and PIR motion
NHL-SEN/MW	Microwave Sensor Kit, includes 120-277V input to 12V DC convector, 12V input sensor head, Nomex Sleeve, Extension Neck



*Requires NHL-SLE2-SEN/BRKT mounting bracket

Fixture installed with NHL-SEN/BTSL and NHL-SLE2-SEN/BRKT bracket

ACCESSORIES (SOLD SEPARATELY)

ORDER CODE	DESCRIPTION
NHL-SLE2-LSMK	Linking Surface Mount Kit for SLE2 fixtures. Includes end to end metal bracket and KO grommet
NHL-SLE2-VHK	V-Hook and Chain Kit for Keystone Micro LED Strip fixtures. Includes (2) V-Hook and (2) chains 40in long
NHL-SLE2-SEN/BRKT	Microstrip Bracket for Smart Loop NHL-SEN/BTSL Sensor

ORDERING INFORMATION

Catalog Number
NHL-SLE2-2-25W-CT-UNV

CATALOG NUMBER BREAKDOWN

NHL-SLE2-2-25W-CT-UNV

1
2
3
4
5
6

- 1 New Horizon Lighting
- 2 Model
- 3 2' Nominal Length
- 4 Wattage
- 5 Color Temperature/Select
- 6 Voltage

Color Select Designation

A	3500K, 4000K, 5000K
---	---------------------

Sensor Options

	No Option
/BTSL	SmartLoop PIR sensor included
/MW	Microwave Sensor included