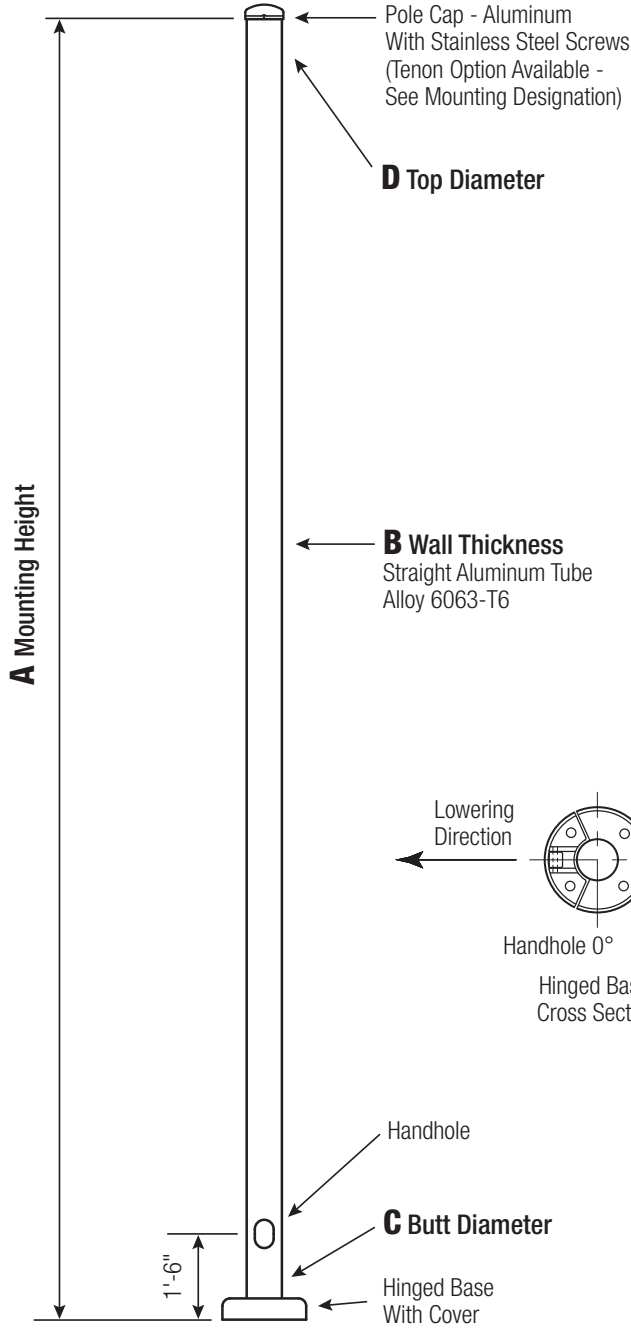


NHL-RSA

Round Straight Aluminum Pole No Arm — Hinged Base



Satin Aluminum or Powder Coated Finish per Customer Specification.

C BUTT DIA.	D TOP DIA.	F BOLT CIR. DIA.	G COVER DIA.	H BOLT PROJ.	I BOLT SIZE
4	4	7	9.75	2	.75 x 17 x 3
5	5	8.5	11.25	2	.75 x 17 x 3

Dimensions in Inches

Pole

The pole shaft will be constructed of seamless extruded tube of 6063 Aluminum Alloy per the requirements of ASTM B221. The shaft assembly shall be full-length heat treated after base weld to produce a T6 temper.

Base Style

Hinged Cast Aluminum Base Flange of Alloy 356-T6 with 2-Piece Cast Aluminum Base Cover and Stainless Steel Tamper-Resistant Attaching Screws.



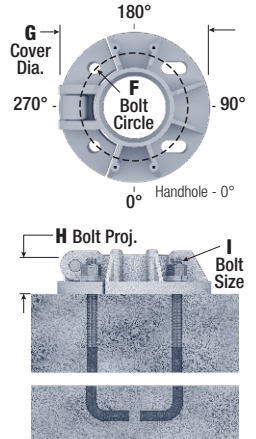
Handhole

4"-5" Butt Diameters -
2" x 4" Handhole with curved Lap Style Aluminum Door and two (2) Stainless Steel Self-Tapping Attaching Screws. A Grounding Provision incorporating a tapped 1 1/4"-20NC hole is provided opposite the Handhole.



Anchorage

Anchorage Kit will include four (4) L-shaped Steel Anchor Bolts conforming to AASHTO M314-90 Grade 55. Ten inches (10") of Threaded End will be Galvanized per ASTM A153. Kits will contain four (4) Hex Nuts, four (4) Lock Washers, and four (4) Flat Washers (all components Galvanized Steel). A bolt circle template will be provided.



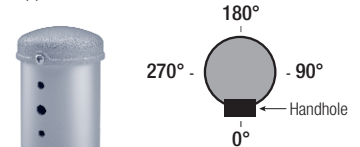
Vibration Damper

When determined necessary by the factory, a Vibration Damper will be factory-installed inside the pole shaft. Customer specification of the damper is available.

Mounting Designation

Side Drill Mount

For Side Drill Mount applications specify luminaire type, quantity and orientation. A luminaire drilling template must be supplied at time of order.



Tenon Mount

For Tenon Mount applications specify both Tenon diameter (2.375", 2.875", 3.5", etc.) and length (3", 4", etc.).

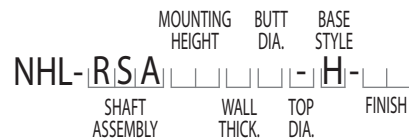


WARNING: Do not install light pole without luminaire.

A Mtg. Hgt.	B WALL THICKNESS	C BUTT DIAMETER	TOTAL LUM. WEIGHT	MAXIMUM EPA					OLD CAT. NUMBER	NHL CATALOG NUMBER
				90	100	110	120	130		
06	0.125"	4	100	15.6	12.4	11.6	9.6	8.0	73145-001	RSA06B4-H-**
06	0.156"	4	100	19.2	15.4	14.2	11.8	10.0		RSA06C4-H-**
06	0.188"	4	100	22.6	18.2	16.8	14.0	11.8		RSA06D4-H-**
08	0.125"	4	100	10.6	8.4	7.7	6.3	5.1	73145-002	RSA08B4-H-**
08	0.156"	4	100	13.2	10.4	9.6	7.9	6.6		RSA08C4-H-**
08	0.188"	4	100	15.6	12.4	11.6	9.5	7.9		RSA08D4-H-**
10	0.125"	4	100	7.6	5.8	5.3	4.2	3.3	73145-003	RSA10B4-H-**
10	0.156"	4	100	9.6	7.4	6.8	5.5	4.4		RSA10C4-H-**
10	0.188"	4	100	11.6	9.0	8.4	6.8	5.5		RSA10D4-H-**
10	0.125"	5	100	15.0	11.8	11.0	9.0	7.6		RSA10B5-H-**
10	0.156"	5	100	18.8	14.8	13.8	11.6	9.8		RSA10C5-H-**
12	0.125"	4	60	5.6	4.2	3.7	2.8	2.1	73145-004	RSA12B4-H-**
12	0.156"	4	95	7.2	5.4	4.9	3.8	2.9		RSA12C4-H-**
12	0.188"	4	100	8.8	6.7	6.1	4.8	3.8		RSA12D4-H-**
12	0.125"	5	100	11.4	8.8	8.2	6.7	5.6	73145-006	RSA12B5-H-**
12	0.156"	5	100	14.6	11.4	10.6	8.8	7.4		RSA12C5-H-**
14	0.125"	4	40	4.1	2.9	2.5	1.7	1.1	73145-005	RSA14B4-H-**
14	0.156"	4	55	5.4	4.0	3.5	2.6	1.9		RSA14C4-H-**
14	0.188"	4	80	6.8	5.0	4.5	3.4	2.5		RSA14D4-H-**
14	0.125"	5	100	8.8	6.6	6.0	4.9	4.1	73145-007	RSA14B5-H-**
14	0.156"	5	100	11.4	8.8	8.0	6.6	5.5		RSA14C5-H-**
16	0.125"	4	55	2.8	1.7	1.4	-	-		RSA16B4-H-**
16	0.156"	4	55	4.0	2.7	2.3	1.5	-		RSA16C4-H-**
16	0.188"	4	45	5.2	3.7	3.3	2.3	1.5		RSA16D4-H-**
16	0.125"	5	95	6.8	4.8	4.4	3.5	2.9	73145-008	RSA16B5-H-**
16	0.156"	5	100	9.0	6.6	6.2	5.0	4.1		RSA16C5-H-**
18	0.125"	5	55	5.0	3.4	3.0	2.4	1.9	73145-009	RSA18B5-H-**
18	0.156"	5	95	6.9	4.9	4.4	3.6	2.9		RSA18C5-H-**
20	0.125"	5	40	3.6	2.1	1.9	1.3	0.9	73145-010	RSA20B5-H-**
20	0.156"	5	55	5.3	3.5	3.1	2.4	1.9		RSA20C5-H-**

Catalog Number System

The catalog number for NHL poles utilizes the following identification system.



Catalog Number Example -

NHL-RSA 20 C 5 - H - 01

Round Straight Aluminum, 20' Mounting Height, .156" Wall Thickness, 5" Butt Diameter, No Taper, Hinged Base, Satin Aluminum Finish.

Wall Thickness

- B = .125"
- C = .156"
- D = .188"

Butt Diameter

- 4 = 4"
- 5 = 5"

Top Diameter

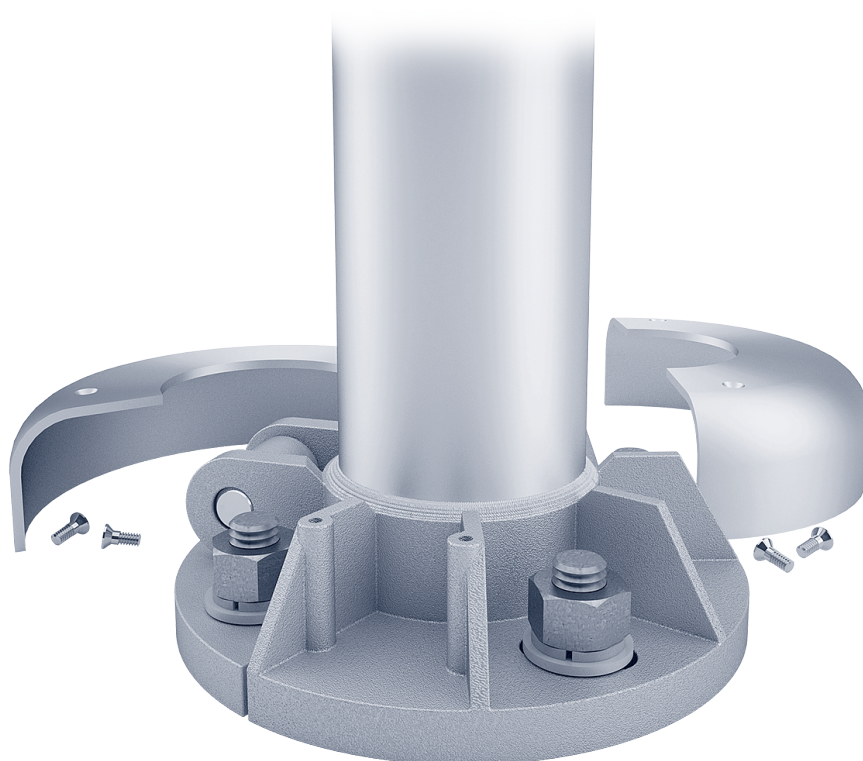
- = No Taper

Base Style

- H = Hinged Base

Finish

- O1 = Satin Aluminum
- BA = Black Powder Coat
- BH = White Powder Coat
- BM = Dark Bronze Powder Coat
- BV = Dark Green Powder Coat
- GC = Gray Powder Coat
- ** = Specify Finish



EPA Notes:

Effective Projected Area (EPA) in square feet. EPA's calculated using wind velocity (mph) indicated in accordance with 2009 AASHTO LTS-5 using a 25 year design life. Maximum EPA is based on the luminaire weight shown. Increased luminaire weight may reduce the maximum EPA. If weight is exceeded, or if other design life or code is required, please consult the factory.