



63W&93W

130W & 196W

### Available Options



Trunnion

Slip Fitter

Pole Mount

### Product Description:

This sleek and modern luminaire has been designed to handle any environment. With a beautiful slimline design along with one of the highest lumen performance on the market, this versatile fixture can be used as a flood light or an area light. Including a multitude of mounting options, surge protection devices, IOT photocell capability, and the most technologically advanced LED's on the market, the NHL-RMH2 is ready to conquer the lighting landscape.

Optional Kelvin color\* with adder.

### Features:

#### LISTING

- ▶UL and cUL listed for wet locations

#### HOUSING

- ▶One piece die-cast aluminum body with die-cast hinge panel for easy installation access.

#### LEDS

- ▶The most technologically advanced LED chips in the market

#### FINISH

- ▶UV stabilized powder coated finish

#### LENS

- ▶Optional Type III, Type IV, Type V optics

#### OPTIONS

- ▶Optional 347V or 480V with adder
- ▶Bi-Level Dimmable or Photocontrol optional available with adder
- ▶Finish - Bronze. Color option with adder
- ▶Standard 4kV surge



### Performance Data

Model No.	Nominal Watts**	Dist. Type	Lu mens**	Efficacy**	Input Voltage
NHL-RMH2	63W	Type III	10170 lm**	161 lm/W	UNV=120-277V
	93W	Type III	14820 lm**	163 lm/W	UNV=120-277V
	130W	Type III	20878 lm**	165 lm/W	UNV=120-277V
	196W	Type III	30122 lm**	161 lm/W	UNV=120-277V
	140W	Type III	22718 lm**	161 lm/W	HV4=347-480V

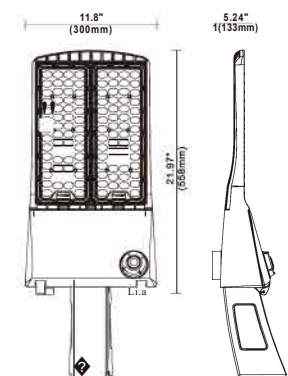
### Specification:

Example:NHL-RMH2

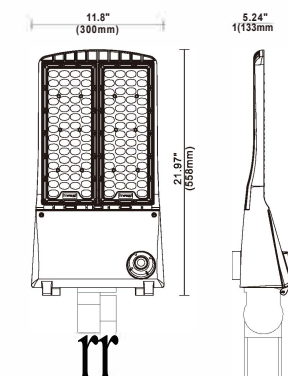
Model No.	Nominal Watts**	Color Temp	Distribution	Input Voltage	Finish	Option	
						Accessories	Mounting
NHL-RMH2	63=63W	40K=4000 K	T3=Type III	UNV=120-277V	BZ=Bronze	XS= 10kv Surge OS=Occupancy Sensor PC=Photocontrol	AM=Arm Mount SF=Slip Fitter TM=Trunnion Mount
	93=93W	50K=5000 K	T4=Type IV	480V=347-480V			
	130=130W		T5=Type V				
	196=196W						
	140=140W						

### Dimension:

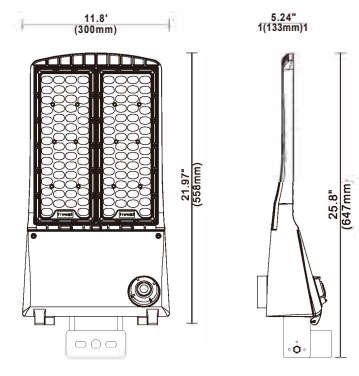
#### NHL-RMH2-AM



#### NHL-RMH2-SF



#### NHL-RMH2-TM



L70 Lifetime > 60,000 hours

5 Year Standard Warranty

\* Different LED Kelvin temperature available with 4-6 week lead time. Please call for a quote.  
 \*\* DISCLAIMER: This test report was produced in accordance with IES LM-79 photometric testing protocol for luminaires, using a single representative test fixture. Actual production units may vary from the values reported here by up to ±10%.

\* Different LED Kelvin temperature available with 4-6 week lead time. Please call for a quote.732-833-8086  
 • DISCLAIMER: This test report was produced in accordance with IES LM-79 photometric testing protocol for luminaires, using a single representative test fixture. Actual production units may vary from the values reported here by up to ±10%.