

LED TROFFER ➤ RETROFIT KIT

CATALOG NUMBER:
NHL-RKIT-22-23W-35K-UNV



DESCRIPTION

2x2 LED DoorFrame Retrofit Kit, 23W, 120-277V, 0-10V Dimming



PRODUCT FEATURES

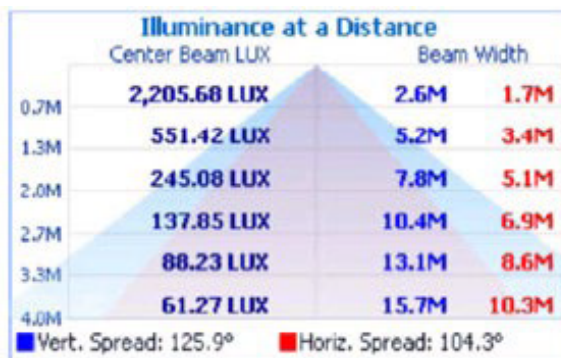
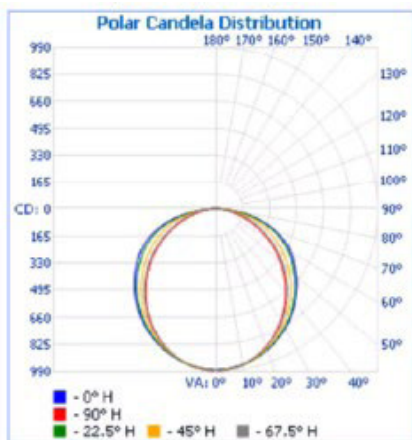
- Used to Upgrade existing 2x2 fluorescent recessed troffer, without modifying existing fixture mounting.
 - Architectural Grade Design
 - Powered by 0-10V Dimming LED Driver
 - Compatible with LED Emergency Drivers
 - Suitable for Damp Location
 - Operating Temperature Range:-20° C to 50° C
 - 5 Year Warranty
- 50,000 Hours Rated Life
 - Over 50% Energy Savings as Compared to Traditional Fluorescent Troffers
 - THD:<20%
 - PF:>0.9

PERFORMANCE SPECIFICATIONS

Catalog Number	Input Voltage	Wattage	Color Temperature	Lumen Output	CRI	Power Factor	Efficacy	Lifetime
NHL-RKIT-22-23W-35K-UNV	120-277V	23	3500K	2930	>80	>0.9	129lm/W	50,000 Hour
NHL-RKIT-22-23W-40K-UNV	120-277V	23	4000K	2980	>80	>0.9	130lm/W	50,000 Hour
NHL-RKIT-22-23W-40K-UNV	120-277V	23	5000K	3070	>80	>0.9	134lm/W	50,000 Hour

PHOTOMETRIC SPECIFICATIONS

CATALOG NUMBER: **KT-RKIT23-22D-835-VDIM**



Zonal Lumen Summary		
Zone	Lumens	% Luminaire
0-30	756.0	26.2%
0-40	1,235.3	42.7%
0-60	2,196.4	76%
60-90	683.7	23.7%
70-100	308.3	10.7%
90-120	4.8	0.2%
0-90	2,880.0	99.7%
90-180	9.8	0.3%
0-180	2,889.9	100%

Specifications subject to change. Last revised on 4.26.18

INSTALLATION INSTRUCTIONS

1. Shut off power to the fixture. Open the fixture lens and remove the existing fluorescent lamps, ballast cover, and lens. Disconnect the ballast from the building's line voltage.



2. Install support brackets (x2) and secure with tek screws.



3. Optional: Install side plates (x2). This is dependent on whether or not there are gaps between the fixture and the existing ceiling grid.



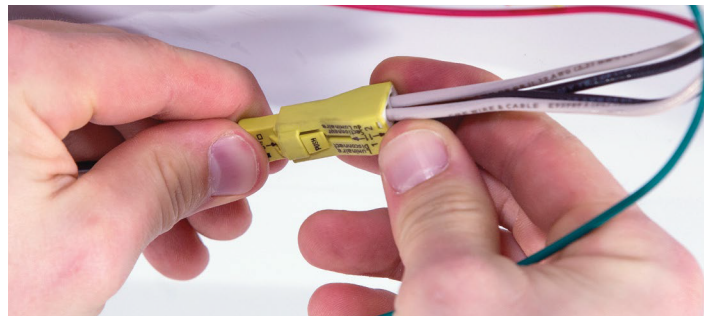
4. Insert the doorframe of the retrofit into the keyholes of the support brackets and slide the unit into place.



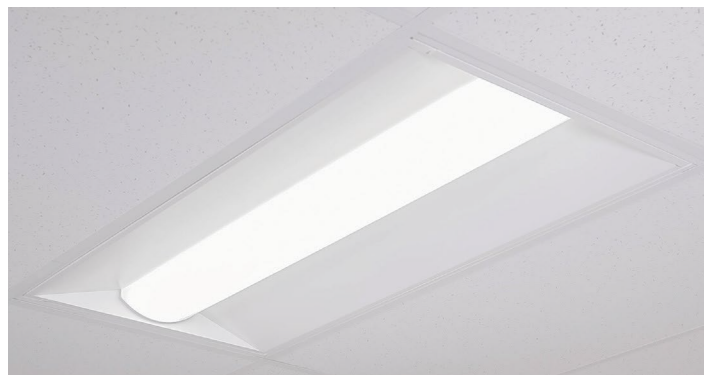
5. Hook safety cables into existing lances/holes of the fixture.



6. Make electrical connections for input power (via the included Power Quick Disconnect) and fixture ground. 0-10V connections are optional.



7. Swing the doorframe assembly up and secure it by locking the latches. Restore power to the fixture.

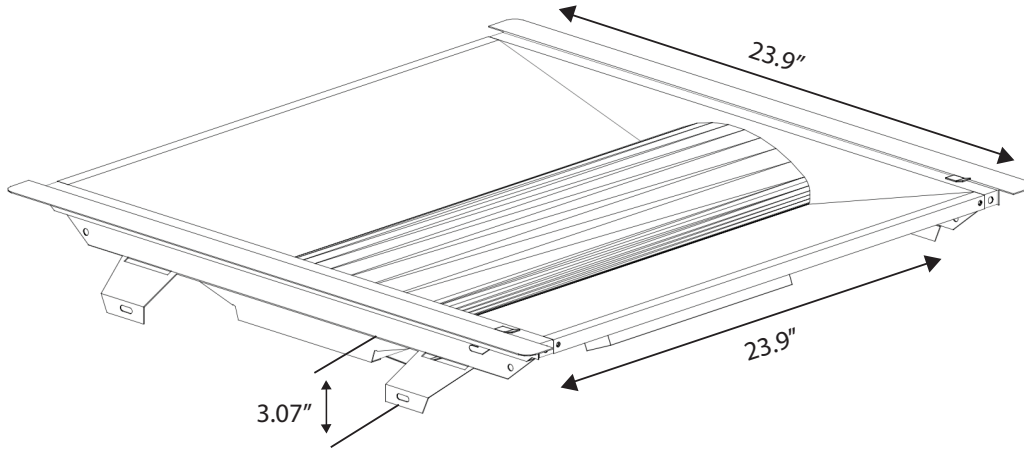


LED TROFFER

RETROFIT KIT

CATALOG NUMBER:
NHL-RKIT-22-23W-35K-UNV

PHYSICAL SPECIFICATIONS



COMPONENT SUMMARY

Part	Qty.
End Plates	2
Side Plates	2
Door Assembly Body	1
Self-Tapping Screws	4

CATALOG NUMBER EXAMPLE: NHL-RKIT-22-23W-35K-UNV