

NHL-RAR2

Reveal Open Small Round Post Top



The NHL-RAR2 Reveal Architectural Open Small Round Post Top is available in Type III or V distributions with two lens options designed to replace HID lighting systems up to 250w MH or HPS. The fixture mounts to a pole top tenon. Typical area lighting applications include parking areas, walkways, and street lighting applications. Mounting heights of 12 to 20 feet can be used based on light level and uniformity requirements.

Specifications and Features:

Housing:

Die Cast Aluminum Housing, Integral Heat Sinking. Photocell Adaptable.

Listing & Ratings:

CSA: Listed for Wet Locations, ANSI/UL 1598, 8750;
IP66 Sealed LED Compartment.

Finish:

Textured Architectural Bronze or Black Powdercoat Finish Over a Chromate Conversion Coating. Custom Colors Available Upon Request.

Lens:

Clear UV-Stabilized Polycarbonate or Opal UV-Stabilized Polycarbonate Vandal-Resistant Array Lens to Seal LED Array

Mounting Options:

Accommodates "P3" 2 1/8" O.D. x 3" Tenons

LED Array:

Aluminum Boards

Wattage:

37w Array: 37w, System: 39w; (70-150w HID Equivalent)
65w Array: 65.1w, System: 68w; (150-250w HID Equivalent)
84w Array: 84w, System: 86w; (150-250w HID Equivalent)

Driver:

Electronic Driver, 120-277V, 50/60Hz or 347-480V, 50/60Hz; Less Than 20% THD and PF>0.90. Standard Internal Surge Protection 6kV. 0-10V Dimming Standard for a Dimming Range of 100% to 10%; Dimming Source Current is 150 Microamps.

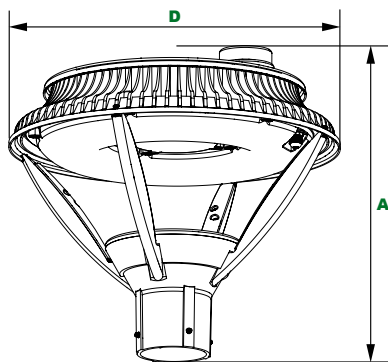
Controls:

Fixtures Ordered with Factory-Installed Photocell or Motion Sensor Controls are Internally Wired for Switching and/or 1-10V Dimming Within the Housing. Remote Direct Wired Interface of 1-10V Dimming is Not Implied and May Not Be Available, Please Consult Factory. Fixtures are Tested with LEPC Controls and May Not Function Properly With Controls Supplied By Others. Fixtures are NOT Designed for Use with Line Voltage Dimmers.

Warranty:

5-Year Warranty for -40°C to +50°C Environment.

See Page 3 for Projected Lumen Maintenance Table.



Dimensions

Diameter (D)	16 1/8" (411mm)
Height (A)	14 1/8" (378mm)

Project Information:

Project Name:	Fixture Type:
Complete Catalog #:	Date:
Comments:	

Certification & Listings:



Reveal Open Small Round Post Top

Order Information Example: NHL-RAR2-84W-50K-UNV-C-B-SP

NHL-RAR2							
Model	Optics	Wattage	CCT	Driver	Lens	Color	Options
NHL-RAR2 = Reveal Open Small Round Post Top	C =Type III F =Type V	37W =37w 65W =65w 84W =84w	30K =3000K* 40K =4000K 50K =5000K *37w & 65w Type III; 37w & 84w Type V	UNV =120-277V H =347-480V	C =Clear UV-Stabilized Polycarbonate Array Lens L = Opal UV-Stabilized Polycarbonate Array Lens* *Use with Type V Optic Only.	Z =Bronze B =Black CC =Custom (Consult Factory)	P2AB =PSRTN Tenon Adaptor, Black P2AC =PSRTN Tenon Adaptor, Custom Color (Consult Factory) SF =Single Fuse (120-277V Only) DF =Double Fuse (120-277V Only) SP =Surge Protection R3 =3-Pin Twist Lock Photocell Receptacle R5 =5-Pin Twist Lock Photocell Receptacle R7 =7-Pin ANSI C136.41—2013 Twist Lock Photocell Receptacle S2 =Microwave Sensor with Dimming for Mounting Heights of 8' to 40'. (120-277V Only) S4 =Microwave On/Off Motion Sensor for Mounting Heights of 8' to 19'. (120-277V Only)

Accessories & Replacement Parts:

Mounting Accessories (Order Separately, Field Installed)

PSRTN* Retrofit Tenon Adaptor, Die Cast with Powdercoat Finish, Hardware Included. Converts a 2 3/4" x 4" Pole Tenon to a 2 1/4" x 3" Tenon.

*Specify Color: B=Black, CC=Custom (Consult Factory)



PSRTN

Accessories (Order Separately, Field Installed)

P18131 Twist Lock Non-Shorting (Open) Cap Disconnects Service to Fixture for Temporary or Permanent Disabling (Fixture Always Off). IP65, 480V Maximum.

P18132 Twist Lock Shorting Cap Provides Fixed Service to Fixture (Fixture Always on). IP65, Rated Load 7200w Tungsten.

P18140 110-120VAC Instant Twist Lock Photocell

P18150 120VAC Time Delay Twist Lock Photocell

P18152 277VAC Time Delay Twist Lock Photocell

P18156 120-277VAC Universal Twist Lock Photocell

P18157 480VAC Time Delay Twist Lock Photocell. For 480V use only.



Replacement Parts (Order Separately, Field Installed)

PF70ALL Opal UV-Stabilized Polycarbonate Array Lens

P17117 Internal Microwave Sensor with Dimming for Mounting Heights of 8 to 40'. 120-277VAC, 50/60Hz

P17123 Internally Mounted Microwave On/Off Motion Sensor for Mounting Heights of 8' to 19', 120-277VAC, 50/60Hz



P17117

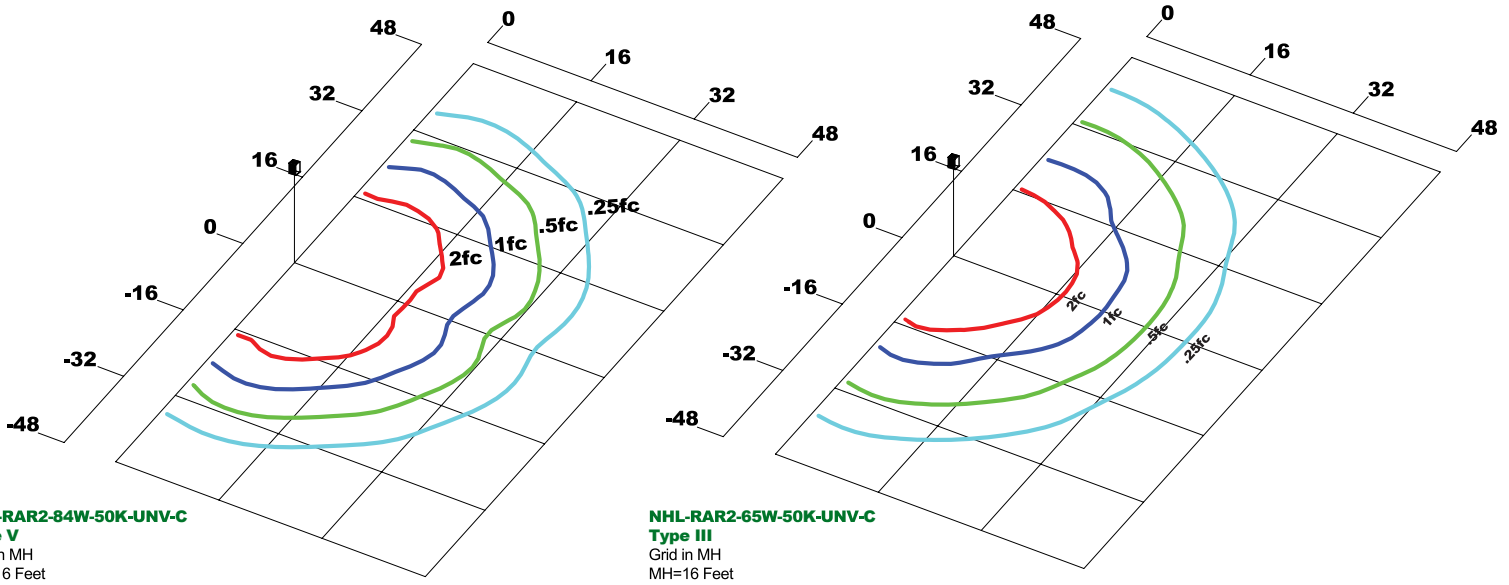
P17123

EPA (Effective Projected Area)

EPA (Sq. Ft.)	Weight (Lbs.)
0.48	14 Lbs

Reveal Open Small Round Post Top

Photometric Data



Photometric Performance

LED Board Watts	Drive Current (mA)	Input Watts	Optics	5000 CCT 80 CRI					4000 CCT 80 CRI					3000 CCT 80 CRI				
				Lumens	LPW	B	U	G	Lumens	LPW	B	U	G	Lumens	LPW	B	U	G
LED 37w	525	39	Type III Clear	2,832	73	1	0	1	2,726	70	1	0	1	2,619	67	1	0	1
LED 65w		68	Type III Clear	4,975	73	2	0	2	4,788	70	1	0	1	4,601	68	1	0	1
LED 84w		86	Type III Clear	6,199	72	2	0	2	5,967	69	2	0	2	-	-	-	-	-
			Type III Opal	7,180	84	2	2	1	7,004	81	2	2	1	-	-	-	-	-
			Type V Clear	8,398	97	3	2	1	8,192	95	3	2	1	7,831	91	2	2	1
Type V Opal	7,180		83	2	2	1	7,004	81	2	2	1	6,695	78	2	2	1		

Projected Lumen Maintenance

Data shown for 5000 CCT		Compare to MH				
TM-21-11	Input Watts	Initial	25,000 Hrs	50,000 Hrs	100,000 Hrs	Calculated LED Life
L70 Lumen Maintenance @ 25°C / 77°F	All wattages up to and including 86w	1.00	0.98	0.97	0.94	473,000
L70 Lumen Maintenance @ 50°C / 122°F		1.00	0.97	0.95	0.90	290,000
L80 Lumen Maintenance @ 40°C / 104°F		1.00	0.98	0.95	0.91	220,000

NOTES:

- Projected per IESNA TM-21-11. Data references the extrapolated performance projections for the 525mA base model in a 25°C ambient, based on 10,000 hours of LED testing per IESNA LM-80-08.
- Compare to MH box indicates suggested Light Loss Factor (LLF) to be used when comparing to Metal Halide (MH) systems.